

US00D555949S

(12) **United States Design Patent**  
**Muller**

(10) **Patent No.:** **US D555,949 S**

(45) **Date of Patent:** **\*\* Nov. 27, 2007**

(54) **SEAT FRAME**

D487,982 S \* 4/2004 Lee ..... D6/360  
D487,983 S 4/2004 Muller ..... D6/360  
D489,911 S \* 5/2004 Muller ..... D6/360

(75) Inventor: **Carl A. Muller**, Huntington Beach, CA  
(US)

(73) Assignee: **Elite Manufacturing Corporation**,  
Santa Fe Springs, CA (US)

(\*\*) Term: **14 Years**

(21) Appl. No.: **29/214,890**

(22) Filed: **Oct. 8, 2004**

(51) **LOC (8) Cl.** ..... **06-06**

(52) **U.S. Cl.** ..... **D6/502**

(58) **Field of Classification Search** ..... D6/334-335,  
D6/360, 364, 365, 370, 372, 373, 374, 375,  
D6/379, 380, 500-502; 297/445.1, 411.4,  
297/411.41, 452.63

See application file for complete search history.

(56) **References Cited**

**U.S. PATENT DOCUMENTS**

D150,339 S \* 7/1948 Cunningham ..... 297/411.41  
D192,165 S \* 2/1962 Brandon ..... D6/375  
D207,840 S \* 6/1967 Rodrigo ..... D6/375  
D261,078 S \* 10/1981 Wilson ..... D6/360  
D287,197 S \* 12/1986 Zakharov ..... D6/360  
D287,794 S \* 1/1987 Zakharov ..... D6/360  
D348,572 S \* 7/1994 Glass ..... D6/379  
D433,835 S \* 11/2000 Hutton ..... D6/370  
D449,456 S \* 10/2001 Muller ..... D6/360  
D481,216 S \* 10/2003 Chalmers et al. .... D6/370  
D486,313 S \* 2/2004 Manzali ..... D6/360

**OTHER PUBLICATIONS**

Muller, "Seat Frame," pending U.S. Appl. No. 29/204,732, filed  
May 3, 2004.

Muller, "Seat Frame," pending U.S. Appl. No. 29/214,680, filed  
Oct. 7, 2004.

\* cited by examiner

*Primary Examiner*—Mimosa De

(74) *Attorney, Agent, or Firm*—Heslin Rothenberg Farley &  
Mesiti P.C.

(57) **CLAIM**

The ornamental design for a seat frame, as shown and  
described.

**DESCRIPTION**

FIG. 1 is a perspective view of a seat frame in accordance  
with the new design;

FIG. 2 is a front elevational view thereof;

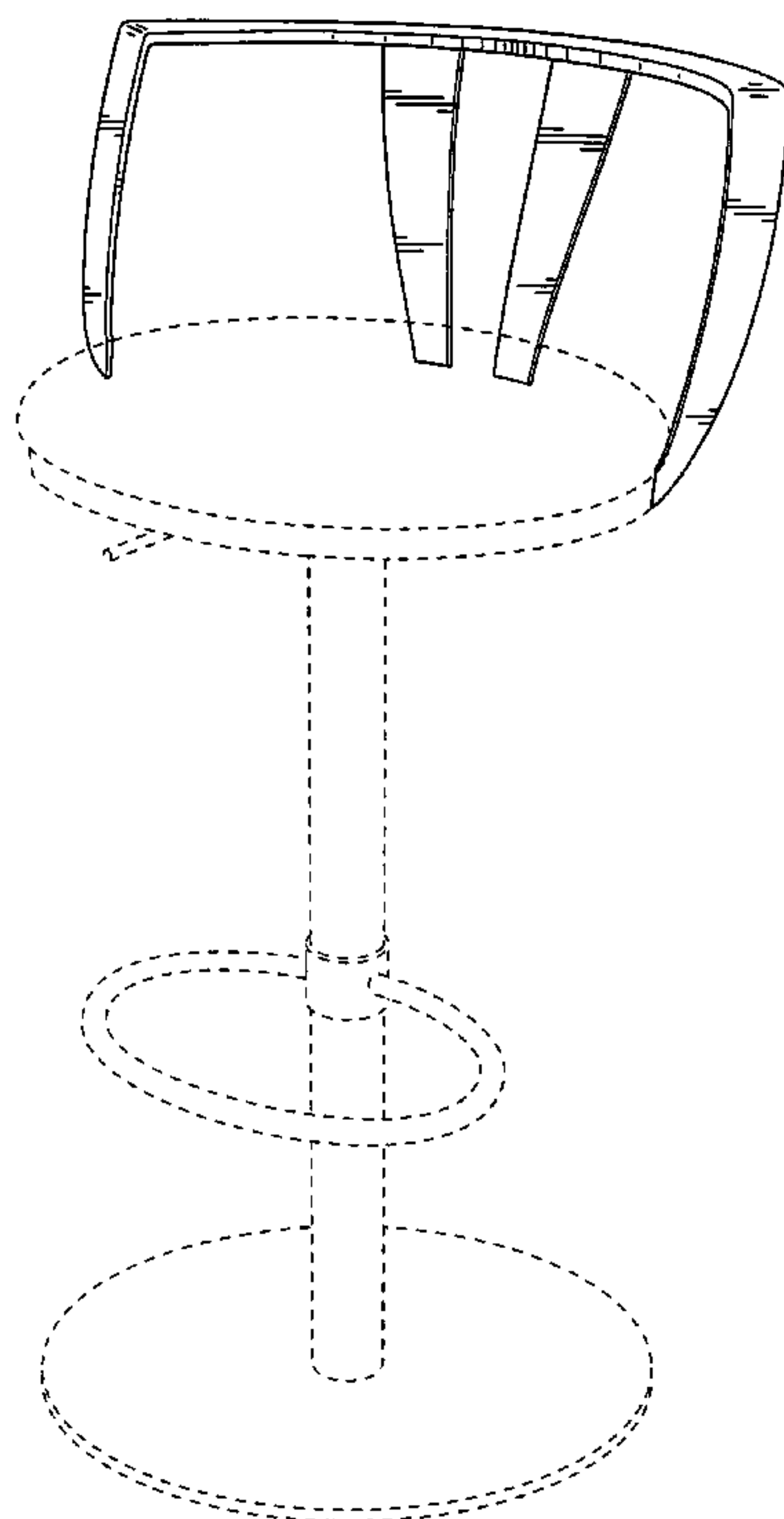
FIG. 3 is a left side elevational view thereof, a right side  
elevational view being a mirror image thereof;

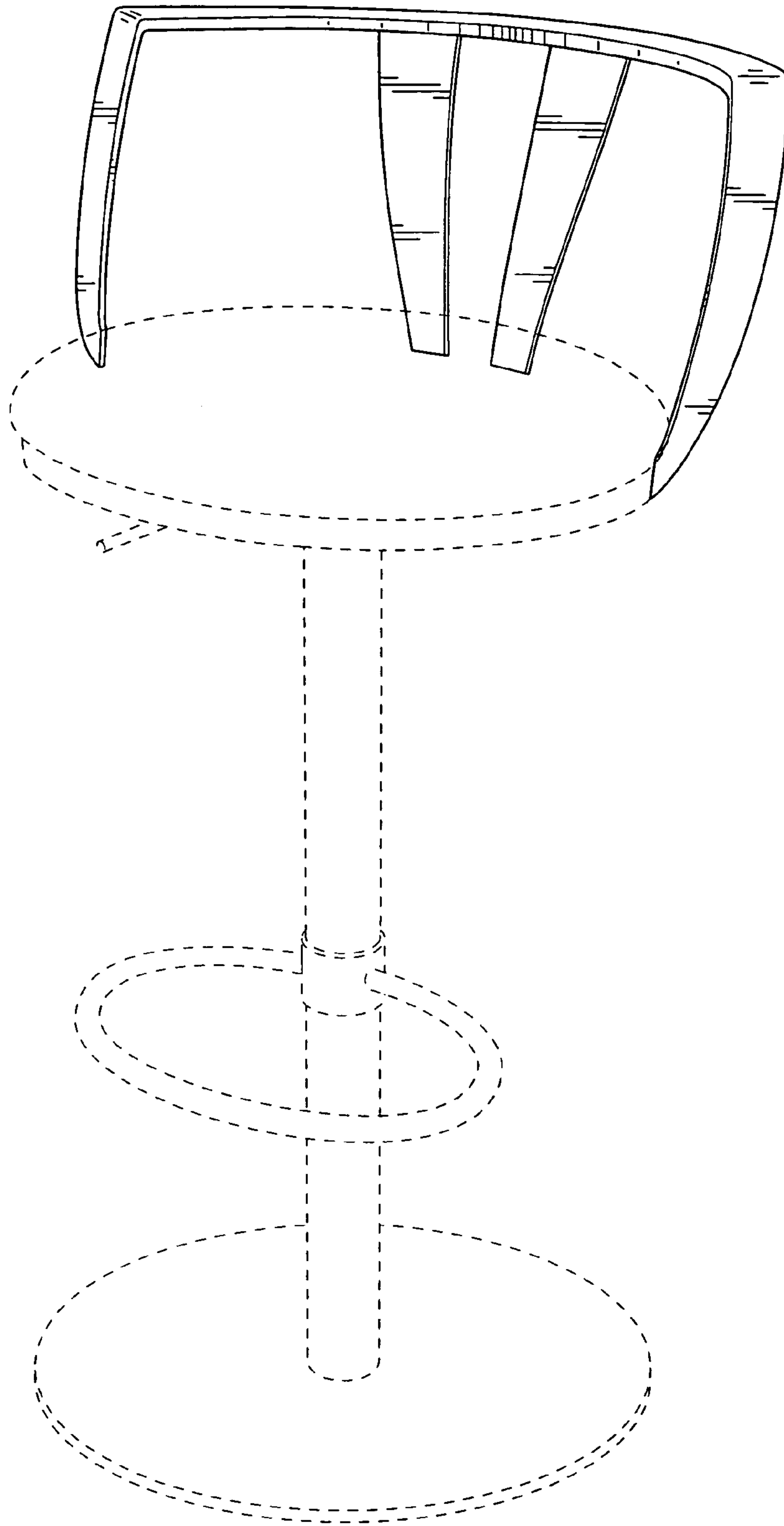
FIG. 4 is a rear elevational view thereof; and,

FIG. 5 is a top view thereof.

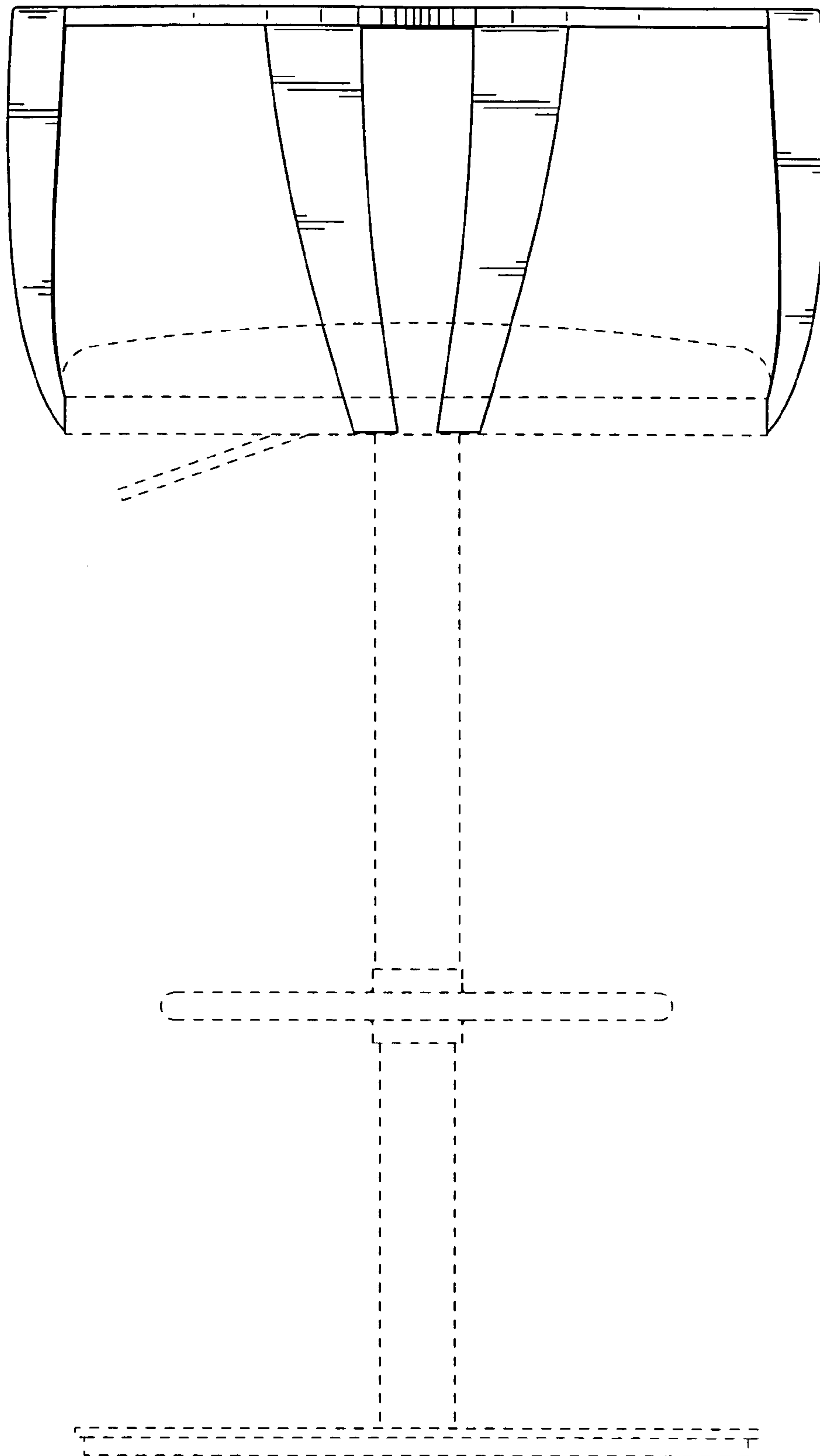
The broken lines in the figures are for illustrative purposes  
only and form no part of the claimed invention.

**1 Claim, 5 Drawing Sheets**

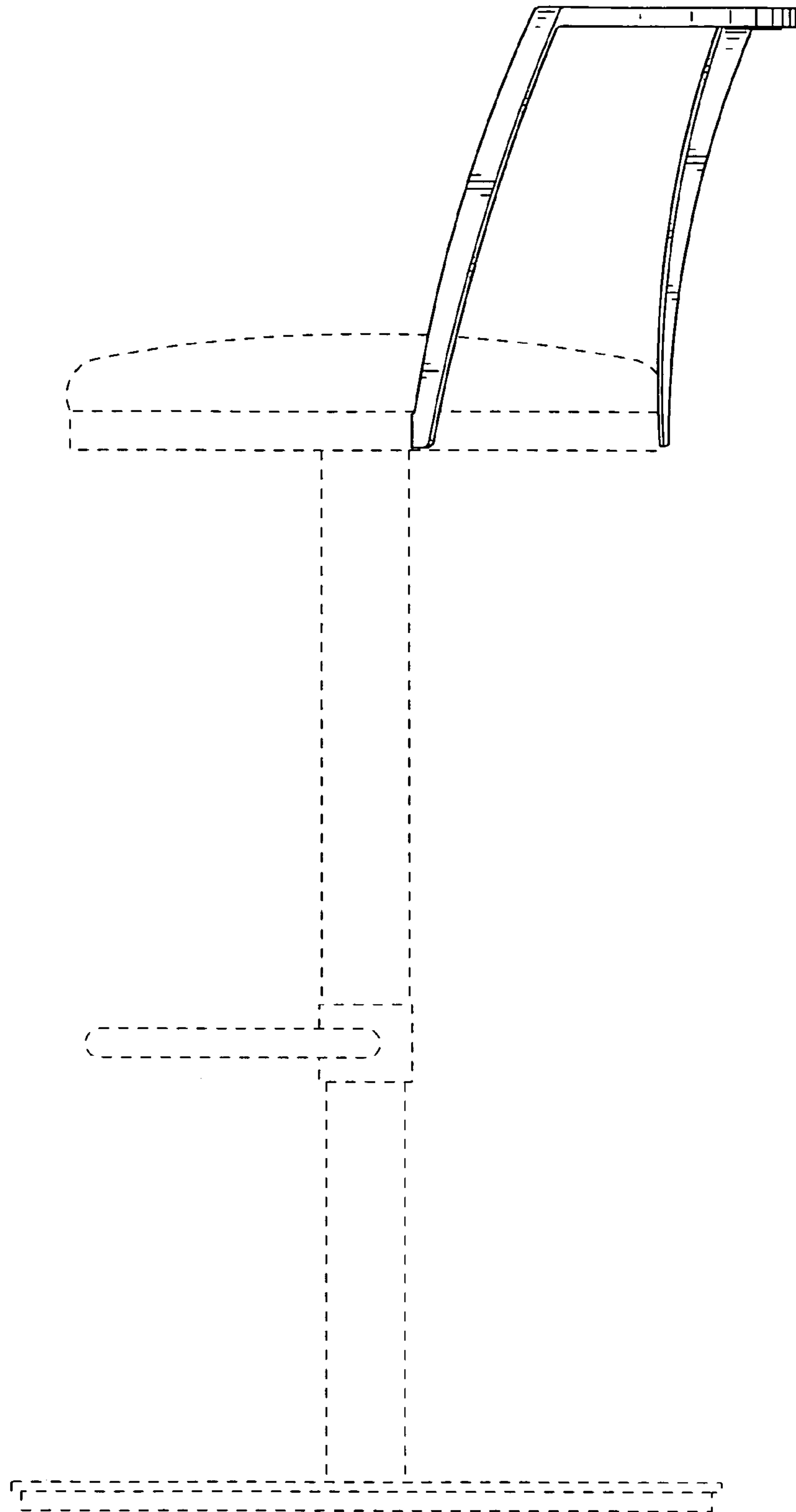




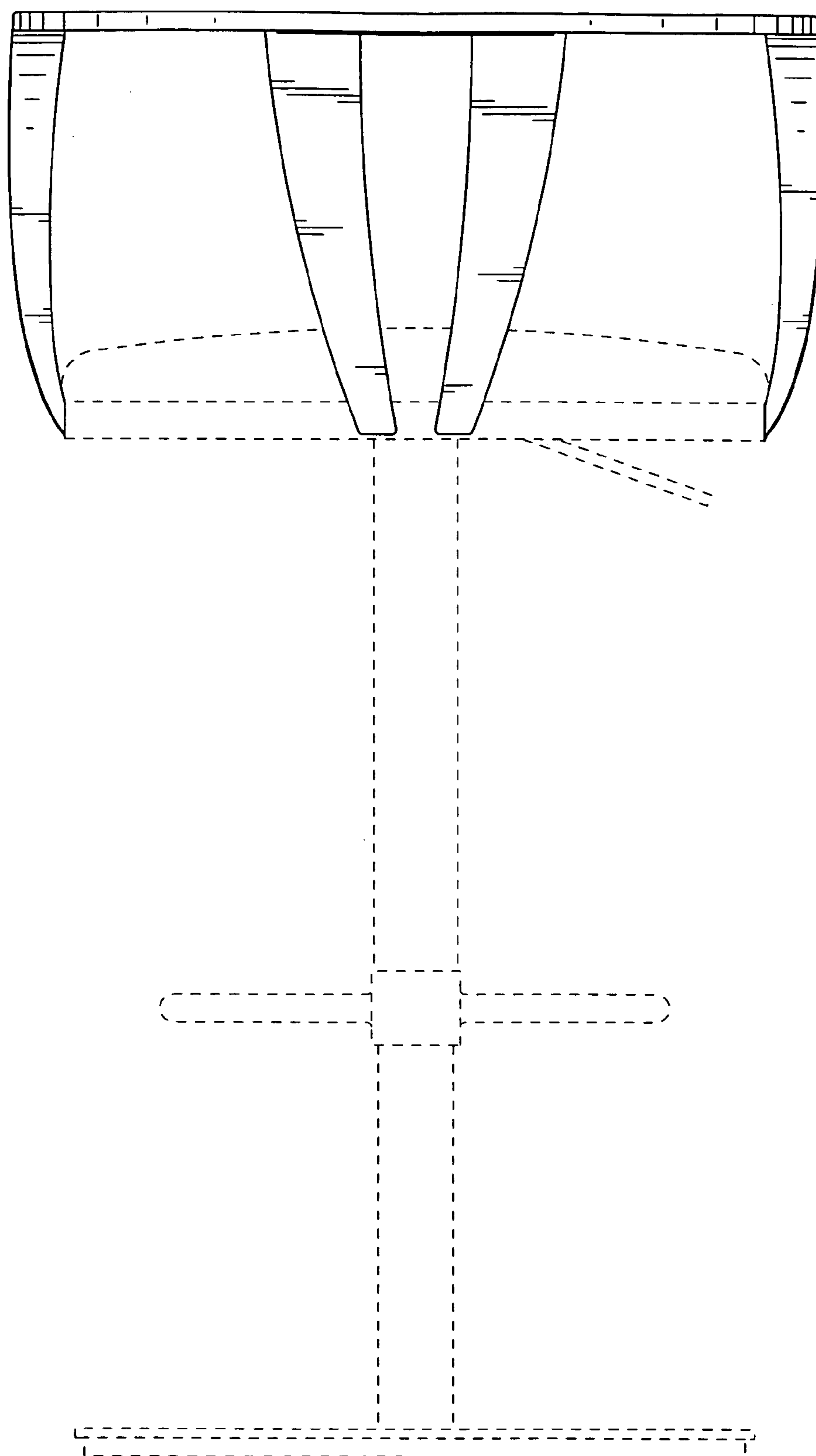
**FIG. 1**



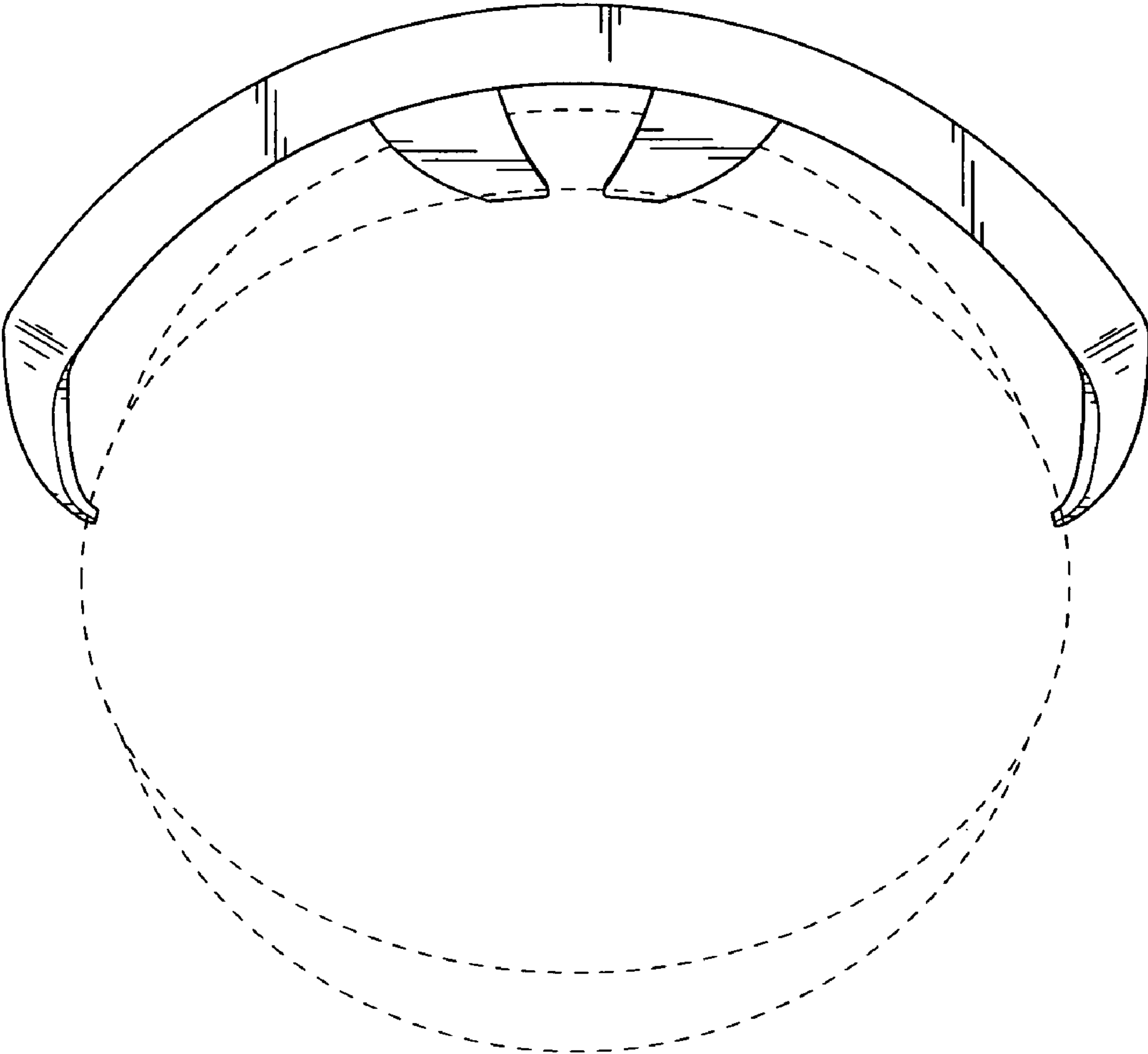
**FIG. 2**



**FIG. 3**



**FIG. 4**



**FIG. 5**