



US00D555948S

(12) **United States Design Patent**  
**Chen**

(10) **Patent No.:** **US D555,948 S**

(45) **Date of Patent:** **\*\* Nov. 27, 2007**

(54) **STRENGTHENED BLOCK FOR FOLDING  
CAMP CHAIR**

(76) Inventor: **Hui Chen**, Rm. 104, No. 77, Jintaili,  
Huli District, Xiamen, Fujian (CN)

(\*\*) Term: **14 Years**

(21) Appl. No.: **29/276,134**

(22) Filed: **Jan. 17, 2007**

(51) **LOC (8) Cl.** ..... **06-01**

(52) **U.S. Cl.** ..... **D6/500**

(58) **Field of Classification Search** ..... D6/334-338,  
D6/349, 355, 363, 364, 369-370, 381, 491,  
D6/500-502, 509, 511, 601; 297/16.1-16.2,  
297/116, 135, 154, 187, 158.3, 158.4, 158.5,  
297/184.1, 232, 244, 411.37, 440.1, 445.1;  
5/12.1, 655.3

See application file for complete search history.

(56) **References Cited**

**U.S. PATENT DOCUMENTS**

5,984,406	A *	11/1999	Lee	297/16.2
D430,976	S *	9/2000	Tow	D6/374
6,247,748	B1 *	6/2001	Zheng	297/16.2
6,382,715	B1 *	5/2002	Tang	297/16.2
6,382,729	B1 *	5/2002	Wu	297/452.41
6,644,731	B2 *	11/2003	Tang	297/16.2
D486,310	S *	2/2004	Goldy	D6/335
6,733,070	B2 *	5/2004	Chang	297/16.2
6,755,462	B2 *	6/2004	Zheng	297/16.2
6,779,838	B2 *	8/2004	Chang	297/16.2
6,814,408	B2 *	11/2004	Chen	297/284.6
6,899,383	B2 *	5/2005	Hwang	297/16.2
D507,892	S *	8/2005	Zheng	D6/358
D515,830	S *	2/2006	Zheng	D6/358
D516,825	S *	3/2006	Zheng	D6/358

D516,826	S *	3/2006	Zheng	D6/358
D517,819	S *	3/2006	Zheng	D6/358
7,066,534	B2 *	6/2006	Choi	297/16.2
2003/0052518	A1 *	3/2003	Zheng	297/16.2
2003/0057741	A1 *	3/2003	Zheng	297/16.2

\* cited by examiner

*Primary Examiner*—Sandra Snapp

(74) *Attorney, Agent, or Firm*—Banger Shia

(57) **CLAIM**

The ornamental design for strengthened block for folding camp chair, as shown and described.

**DESCRIPTION**

FIG. 1 is a front perspective view of a strengthened block for folding camp chair showing my present design;

FIG. 2 is a top plan view thereof;

FIG. 3 is a bottom plan view thereof;

FIG. 4 is a left side elevation view thereof;

FIG. 5 is a right side elevation view thereof;

FIG. 6 is a front elevation view thereof;

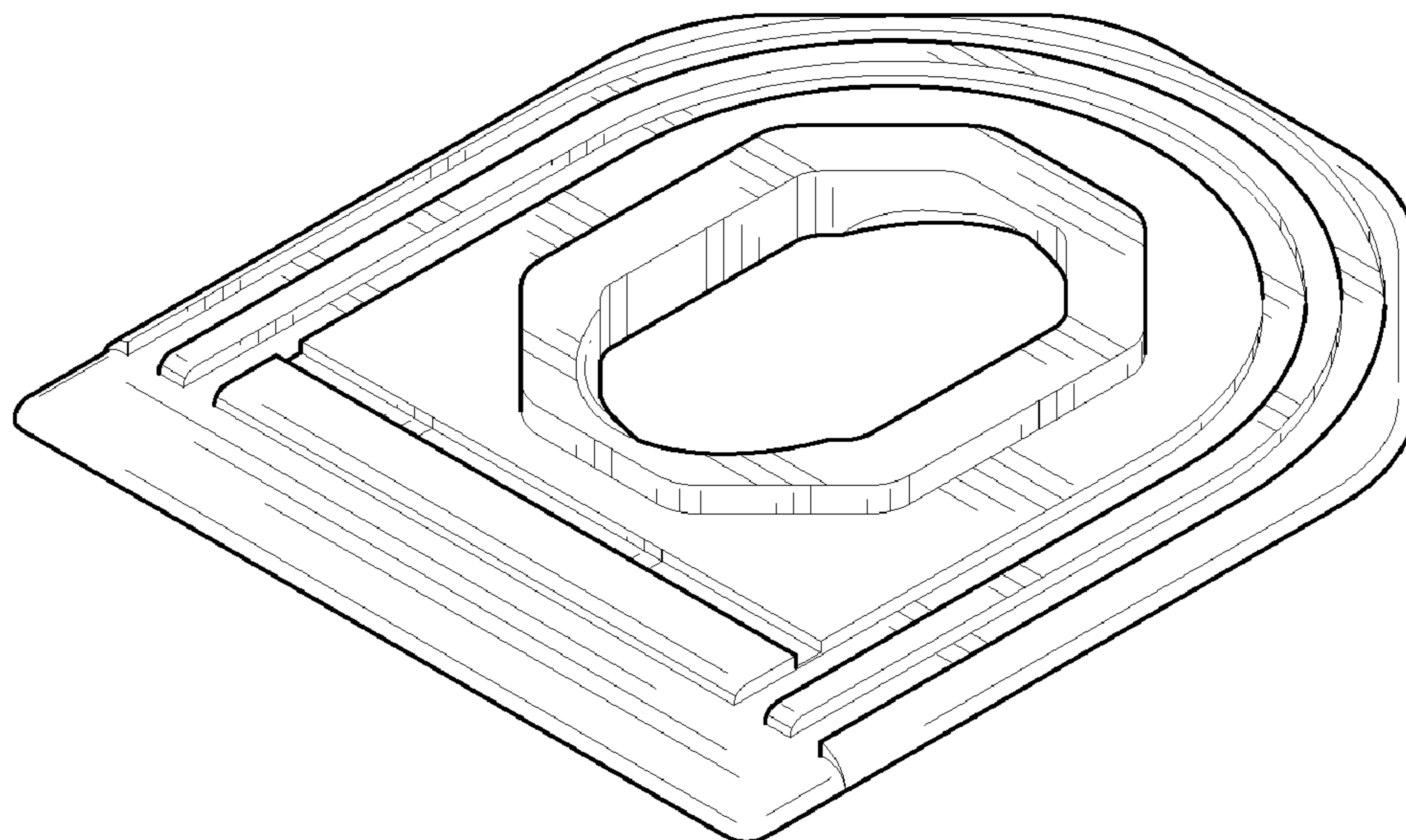
FIG. 7 is a rear elevation view thereof;

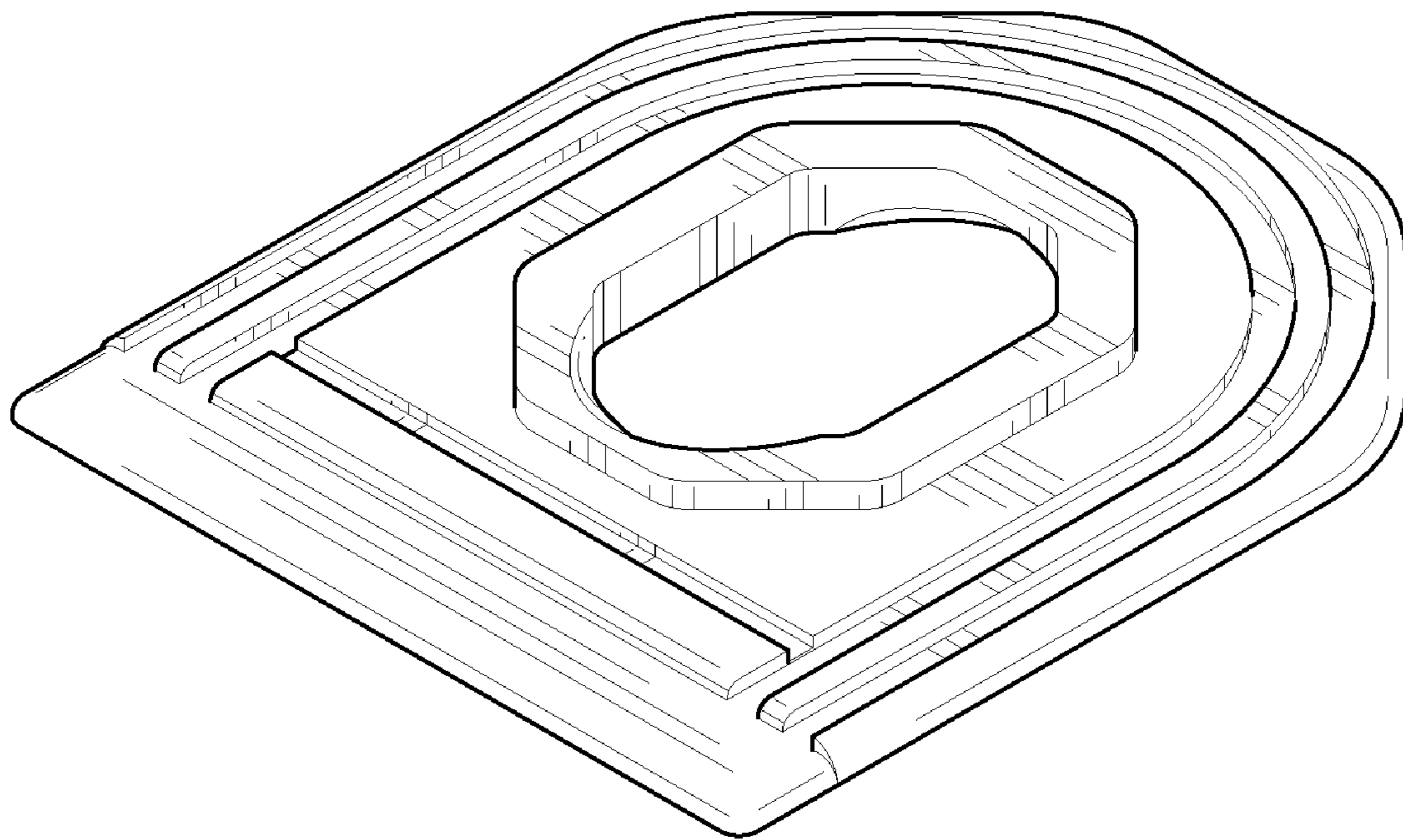
FIG. 8 is a front perspective view of the strengthened block for folding camp chair, shown at a reduced scale and showing how the strengthened block would appear on a folding camp chair; and,

FIG. 9 is a rear perspective view of the strengthened block for folding camp chair, shown at an increased scale and shown in more detail than section A of FIG. 8.

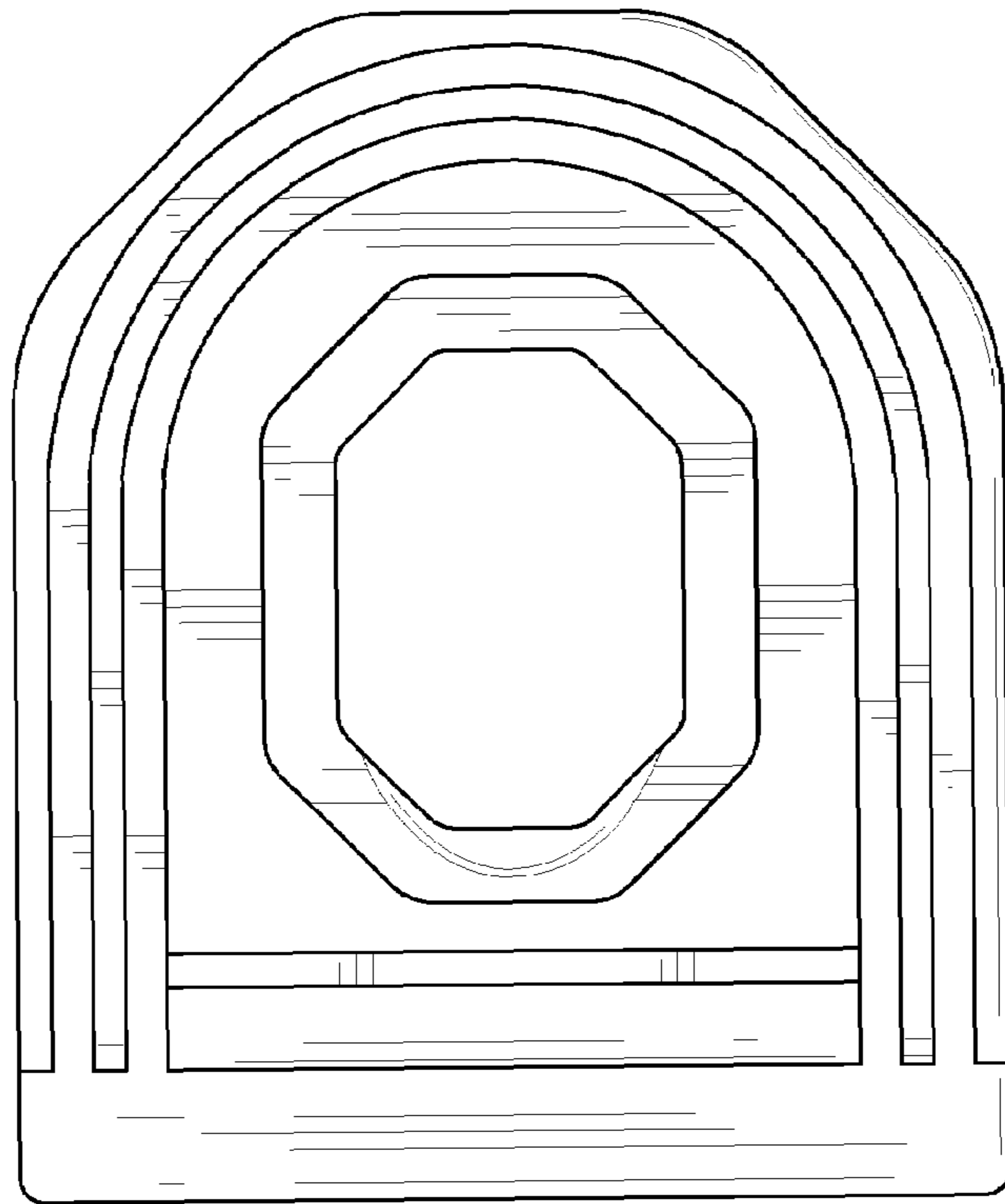
The broken lines are shown for illustrative purposes only and form no part of the claimed design

**1 Claim, 6 Drawing Sheets**

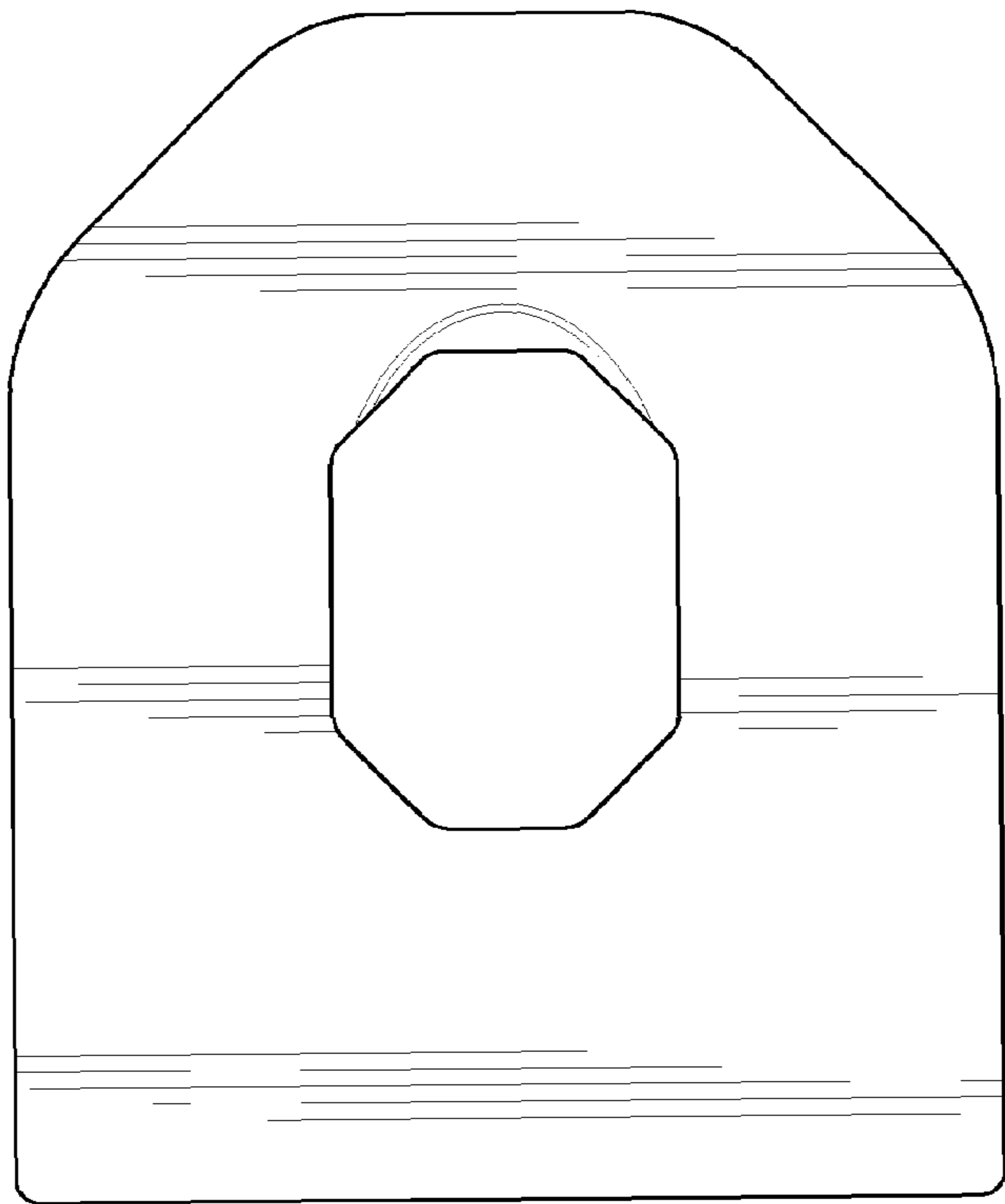




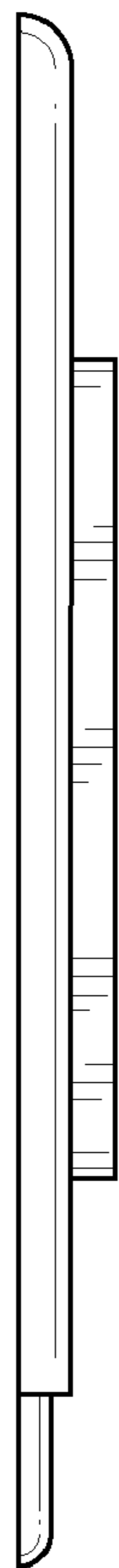
**FIG. 1**



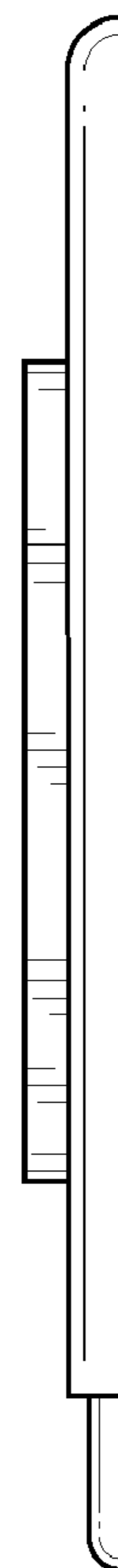
**FIG. 2**



**FIG. 3**



**FIG. 4**



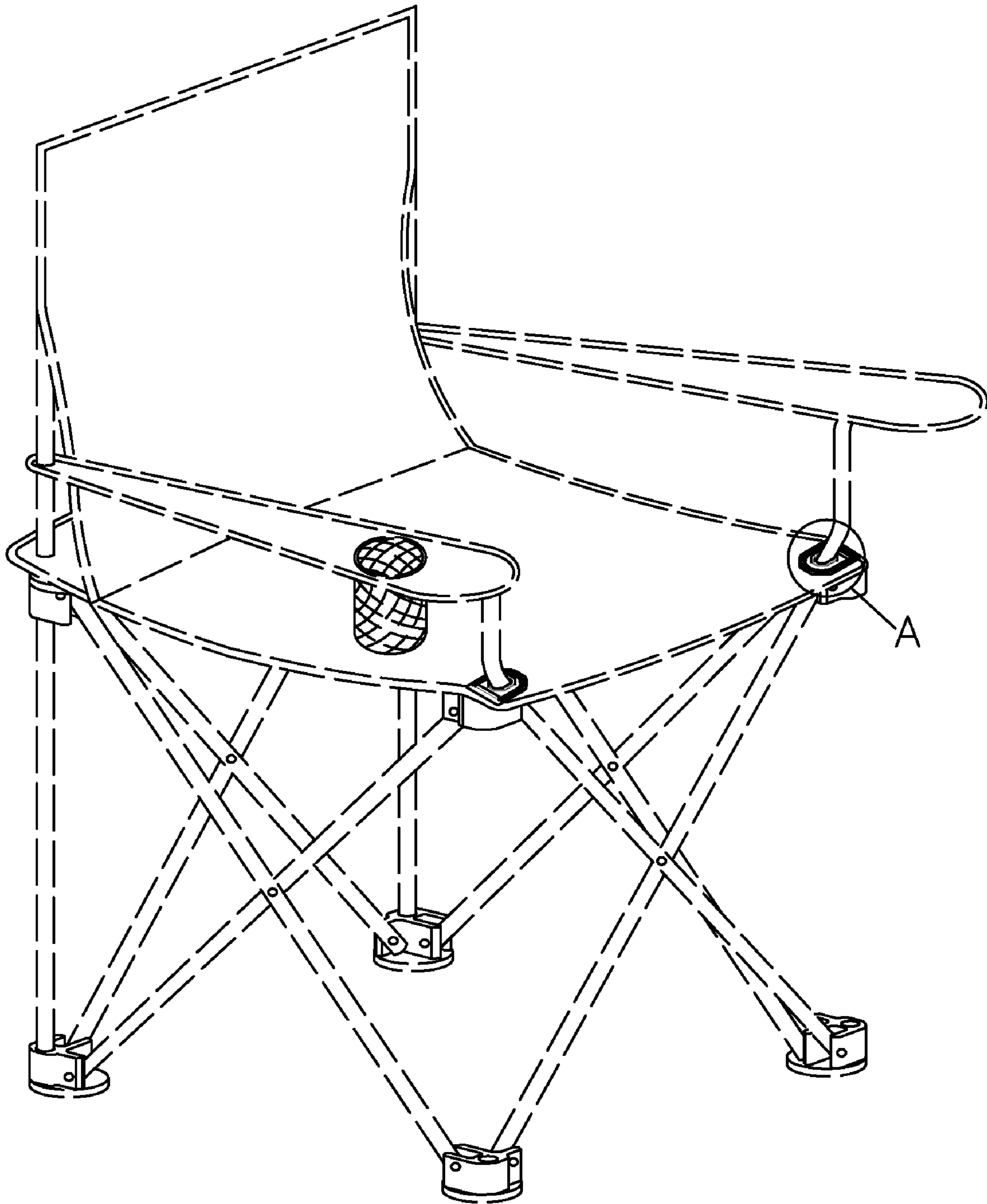
**FIG. 5**



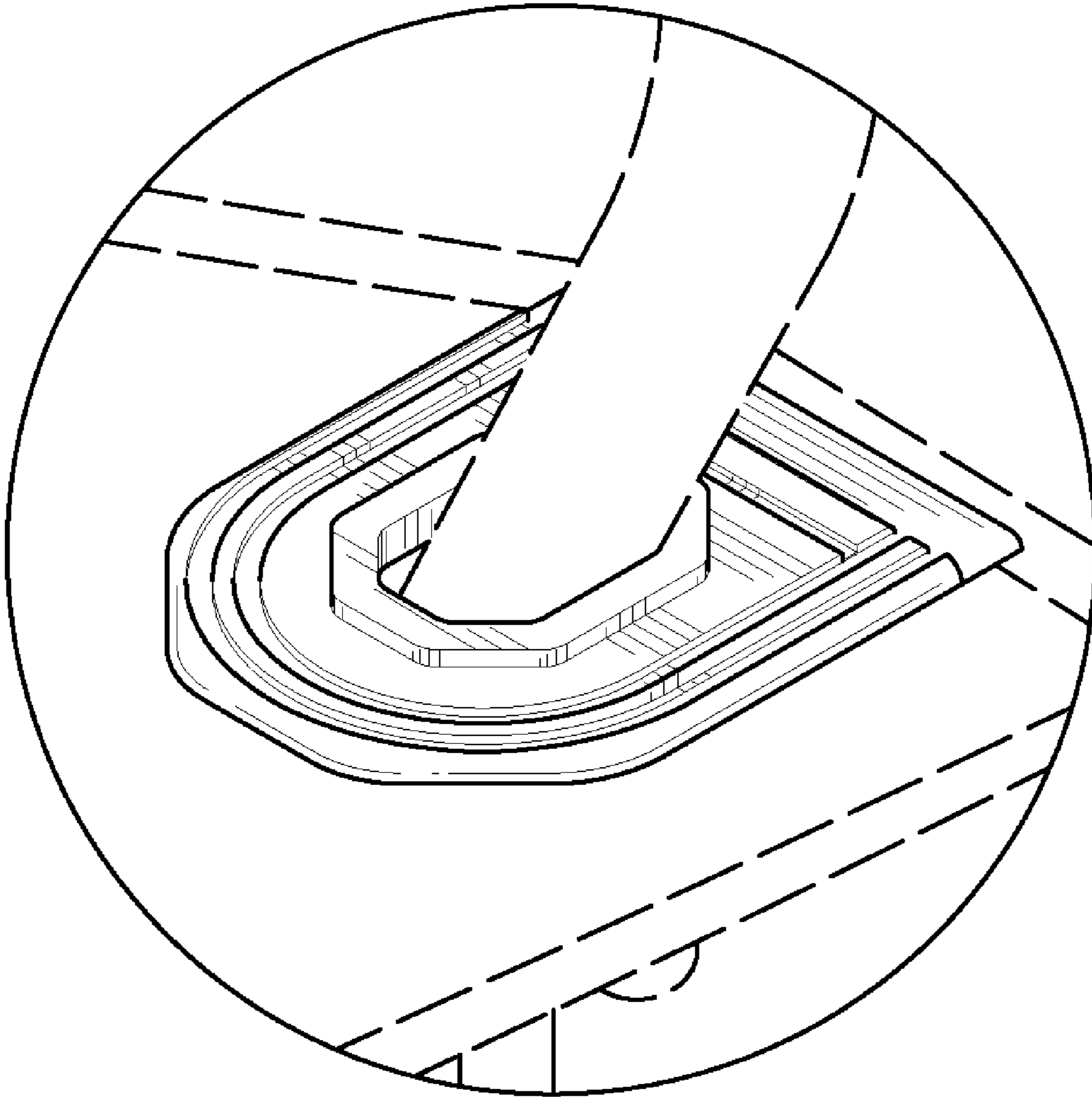
***FIG. 6***



***FIG. 7***



**FIG. 8**



**FIG. 9**