



US00D555947S

(12) **United States Design Patent**
Vestweber

(10) **Patent No.: US D555,947 S**

(45) **Date of Patent: ** Nov. 27, 2007**

(54) **SEAT FRAME**

(75) Inventor: **Nikki Vestweber**, Manhattan, KS (US)

(73) Assignee: **Cushion Seats, Inc.**, Manhattan, KS (US)

(**) Term: **14 Years**

(21) Appl. No.: **29/234,933**

(22) Filed: **Jul. 25, 2005**

(51) **LOC (8) Cl. 06-01**

(52) **U.S. Cl. D6/500**

(58) **Field of Classification Search** D6/349-355,
D6/363-364, 484, 495, 500-502, 335, 458,
D6/487, 511; 297/195.1, 195.11, 16.1, 118,
297/16.2, 175, 187, 462, 215.16, 219.11,
297/423.1, 423.39, 423.41, 423.43, 461;
108/53.3, 115, 150; 248/325, 250; 211/119.003,
211/134, 153; D8/381

See application file for complete search history.

(56) **References Cited**

U.S. PATENT DOCUMENTS

116,934	A *	7/1871	Cutter	297/252
653,105	A *	7/1900	MacLeay	297/188.1
816,545	A *	3/1906	Field	297/352
1,213,762	A *	1/1917	Dunn	297/252
1,293,778	A *	2/1919	Holm	297/252
1,515,564	A *	11/1924	Field	297/250.1
2,004,237	A *	6/1935	Costello	182/59
2,059,493	A *	11/1936	Schoenhoff	297/252
2,276,308	A *	3/1942	Hugh	446/482
2,287,611	A *	6/1942	Harbison	312/313
2,306,673	A *	12/1942	Tucker	297/252
2,545,840	A *	3/1951	Browne	297/252
2,558,315	A *	6/1951	Pavey et al.	297/352
2,571,282	A *	10/1951	Newton et al.	297/252
2,725,925	A *	12/1955	Sanderson et al.	297/252

2,736,365	A *	2/1956	Hines	297/183.5
2,792,875	A *	5/1957	Pirrone	297/252
2,816,871	A *	12/1957	Fish	297/217.1
2,865,433	A *	12/1958	Warner	383/25
2,954,125	A *	9/1960	Husted	108/62
3,026,142	A *	3/1962	Holloway	297/252

(Continued)

Primary Examiner—Sandra Snapp

(74) *Attorney, Agent, or Firm*—McAndrews, Held & Malloy Ltd.

(57) **CLAIM**

The ornamental design for a seat frame, as substantially shown and described.

DESCRIPTION

FIG. 1 is a perspective view of a first embodiment of a seat frame showing my new design;

FIG. 2 is a right side elevation view thereof;

FIG. 3 is a left side elevation view thereof;

FIG. 4 is a top plan view thereof;

FIG. 5 is a front side elevation view thereof;

FIG. 6 is a perspective view of a second embodiment thereof;

FIG. 7 is a right side elevation view thereof;

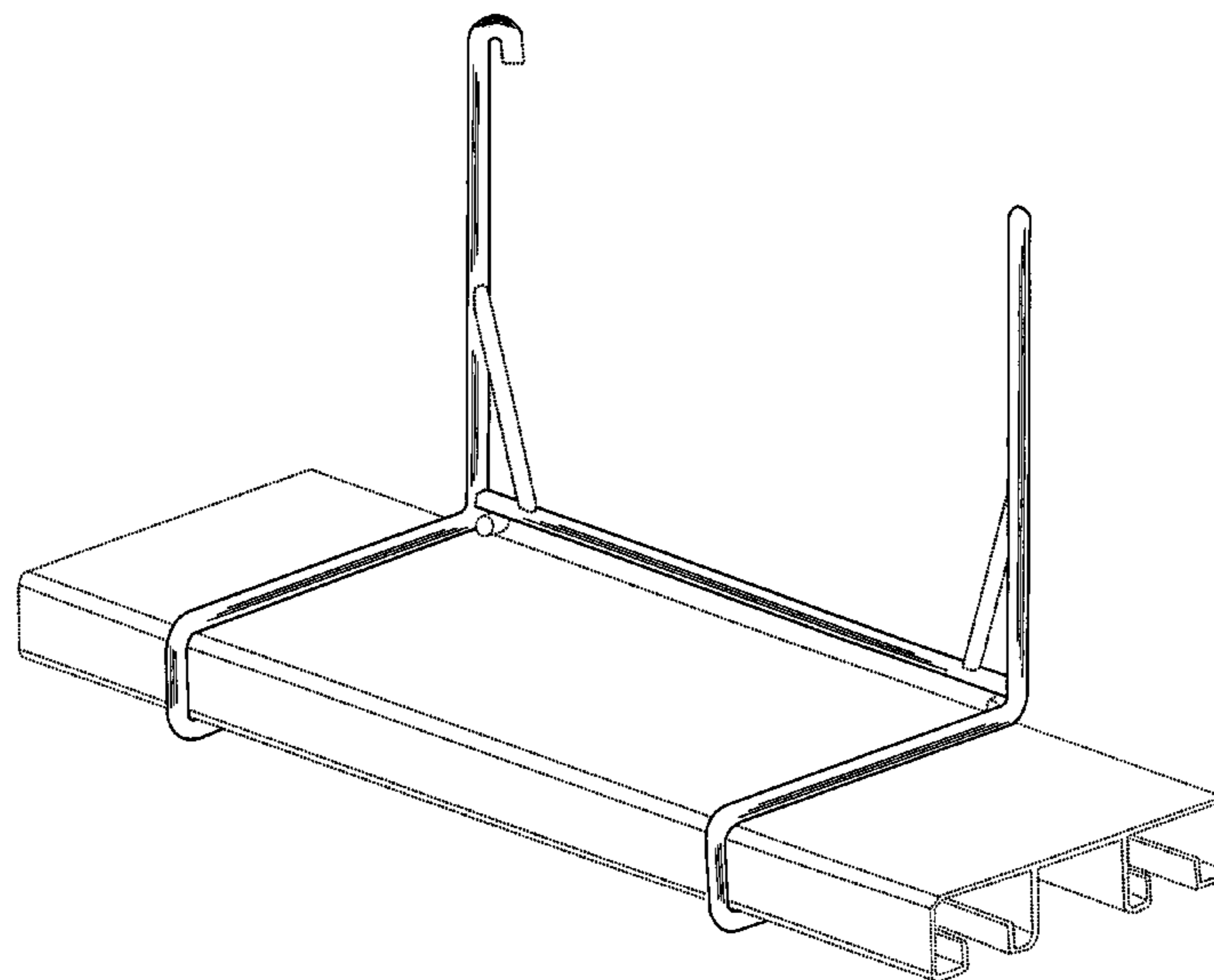
FIG. 8 is a left side elevation view thereof;

FIG. 9 is a top plan view thereof; and,

FIG. 10 is a front side elevation view thereof.

The broken lines in the drawings, indicating that no particular shape of the broken line subject matter is being claimed, represent environmental subject matter and form no part of the claimed design. The pairs of adjacently spaced jagged, broken away portions indicate indeterminate length.

1 Claim, 6 Drawing Sheets



US D555,947 S

Page 2

U.S. PATENT DOCUMENTS

3,066,980	A *	12/1962	Clute	297/252	D344,868	S *	3/1994	Martinell	D6/552
3,153,526	A *	10/1964	Pawsey	248/219.1	5,388,709	A *	2/1995	Adams	211/70.6
3,279,620	A *	10/1966	Nesbitt	211/106.01	5,533,219	A *	7/1996	Meyers	5/653
3,288,414	A *	11/1966	Fortunato	248/222.12	5,842,581	A *	12/1998	Graefe	211/17
3,393,888	A *	7/1968	Henningsgard	248/230.8	D417,353	S *	12/1999	Laga	D6/566
D216,158	S *	11/1969	Williams	D25/68	D423,269	S *	4/2000	Laga et al.	D6/566
3,672,624	A *	6/1972	Keller	248/243	D427,824	S *	7/2000	Osburn et al.	D6/511
3,675,882	A *	7/1972	Dibble	248/235	6,209,837	B1 *	4/2001	Harms	248/302
3,695,569	A *	10/1972	Pullan	248/235	6,352,306	B1 *	3/2002	Dreiling	297/252
3,797,790	A *	3/1974	Iseki	248/230.2	6,502,902	B1 *	1/2003	Romero	297/352
3,900,110	A *	8/1975	Soroka	211/113	6,581,789	B1 *	6/2003	Spanski et al.	211/106
3,994,529	A *	11/1976	Lippert	297/252	6,592,187	B2 *	7/2003	Calvery	297/352
4,036,369	A *	7/1977	Eisenberg	211/88.02	6,739,667	B1 *	5/2004	Jones	297/352
4,094,415	A *	6/1978	Larson	211/57.1	6,823,999	B2 *	11/2004	Heneveld, Sr.	211/87.01
4,269,381	A *	5/1981	Harms	248/465.1	6,926,360	B2 *	8/2005	Jones	297/252
4,367,819	A *	1/1983	Lewis	211/59.1	7,104,605	B2 *	9/2006	Jones	297/352
4,469,031	A *	9/1984	Haycock	108/147.17	2005/0127731	A1 *	6/2005	Jones	297/352
4,688,683	A *	8/1987	Thalenfeld et al.	211/57.1	2006/0022499	A1 *	2/2006	Jones	297/352
4,809,941	A *	3/1989	Sheridan	248/249	2006/0220428	A1 *	10/2006	Vestweber	297/252
4,898,355	A *	2/1990	Steinway	248/235	2006/0250004	A1 *	11/2006	Jones	297/229
5,044,505	A *	9/1991	Spratt	211/22	2006/0250010	A1 *	11/2006	Jones	297/352
D337,938	S *	8/1993	Shaw et al.	D8/380	2007/0018491	A1 *	1/2007	Jones	297/352

* cited by examiner

Fig. 1

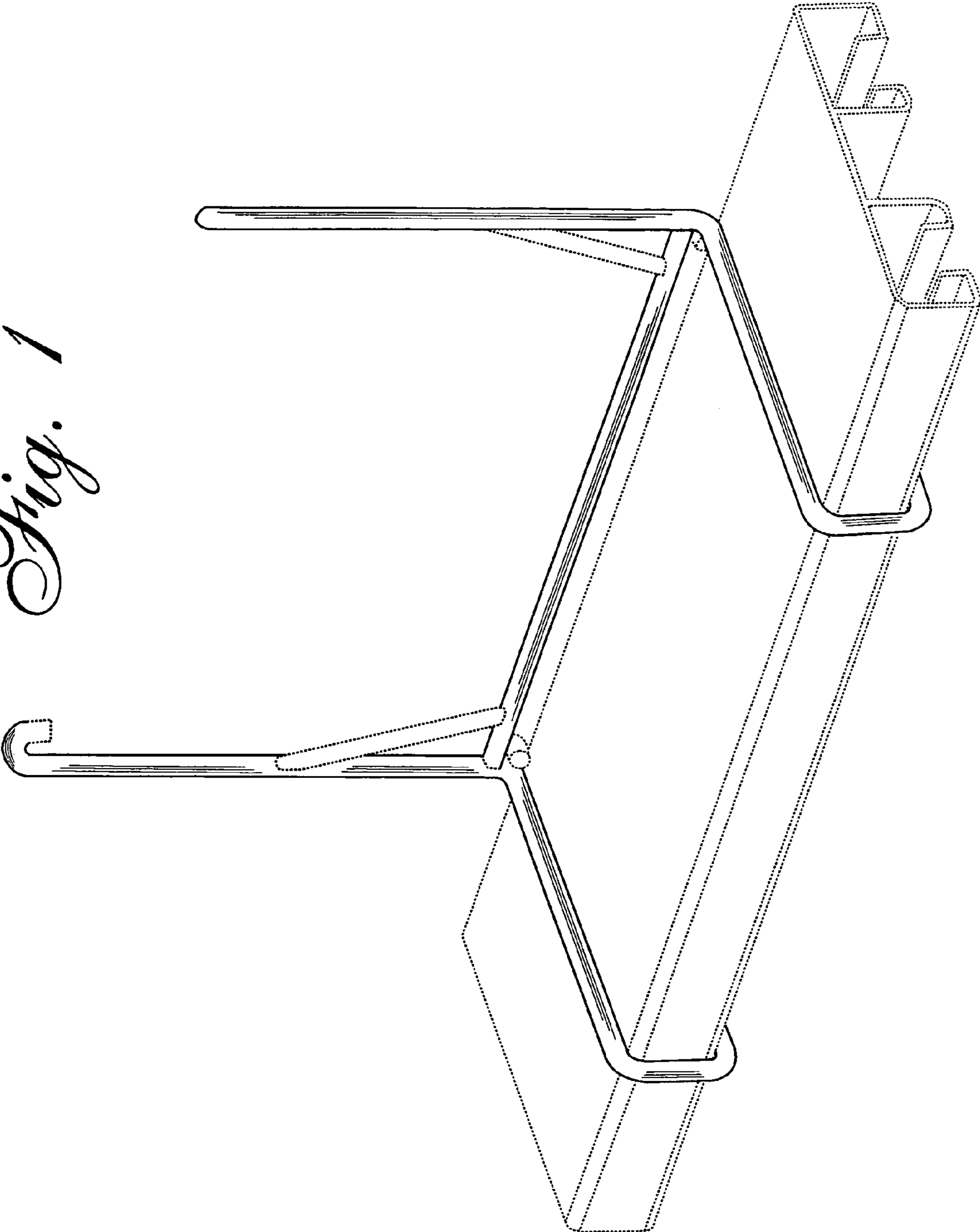


Fig. 3

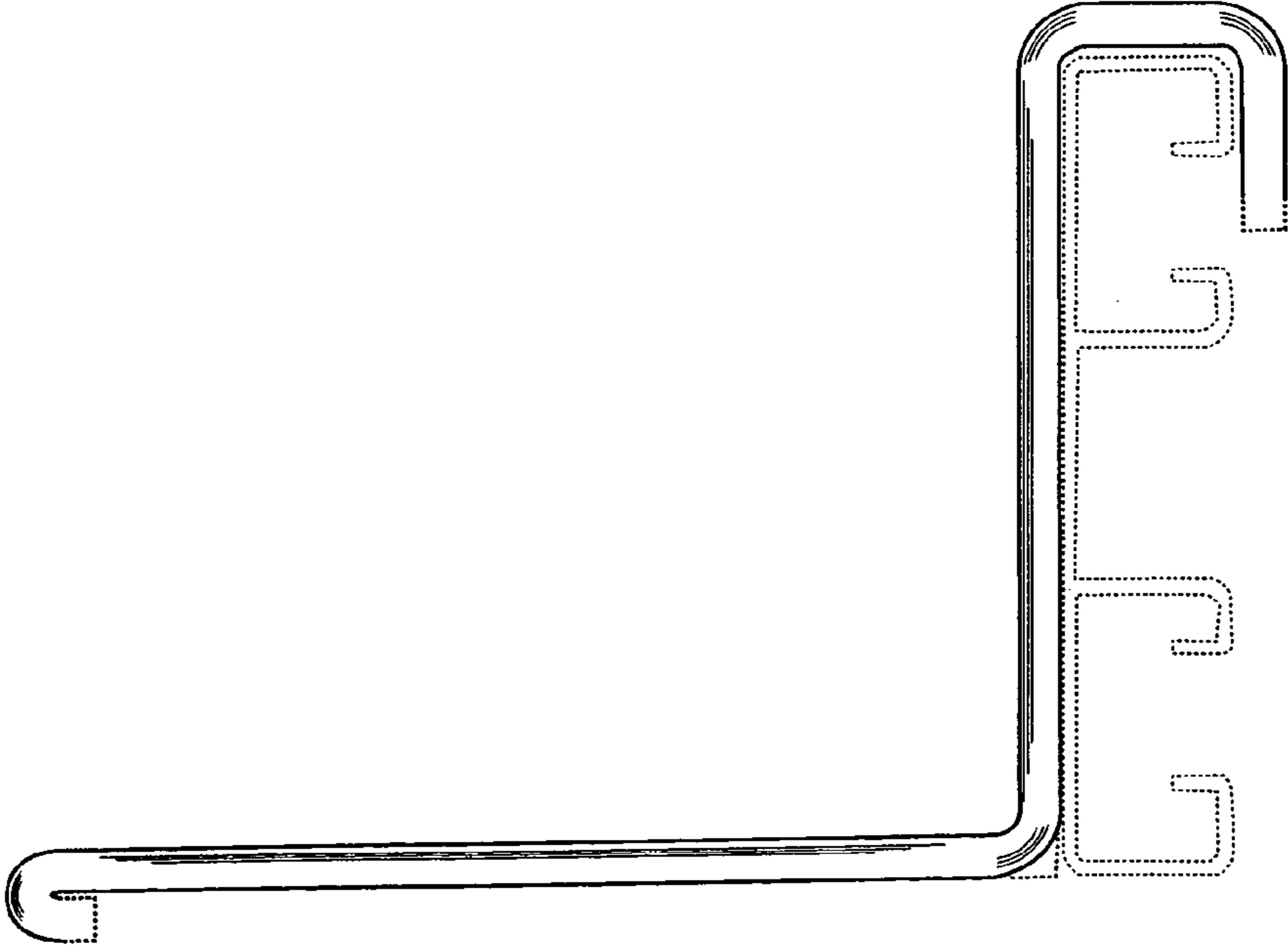


Fig. 2

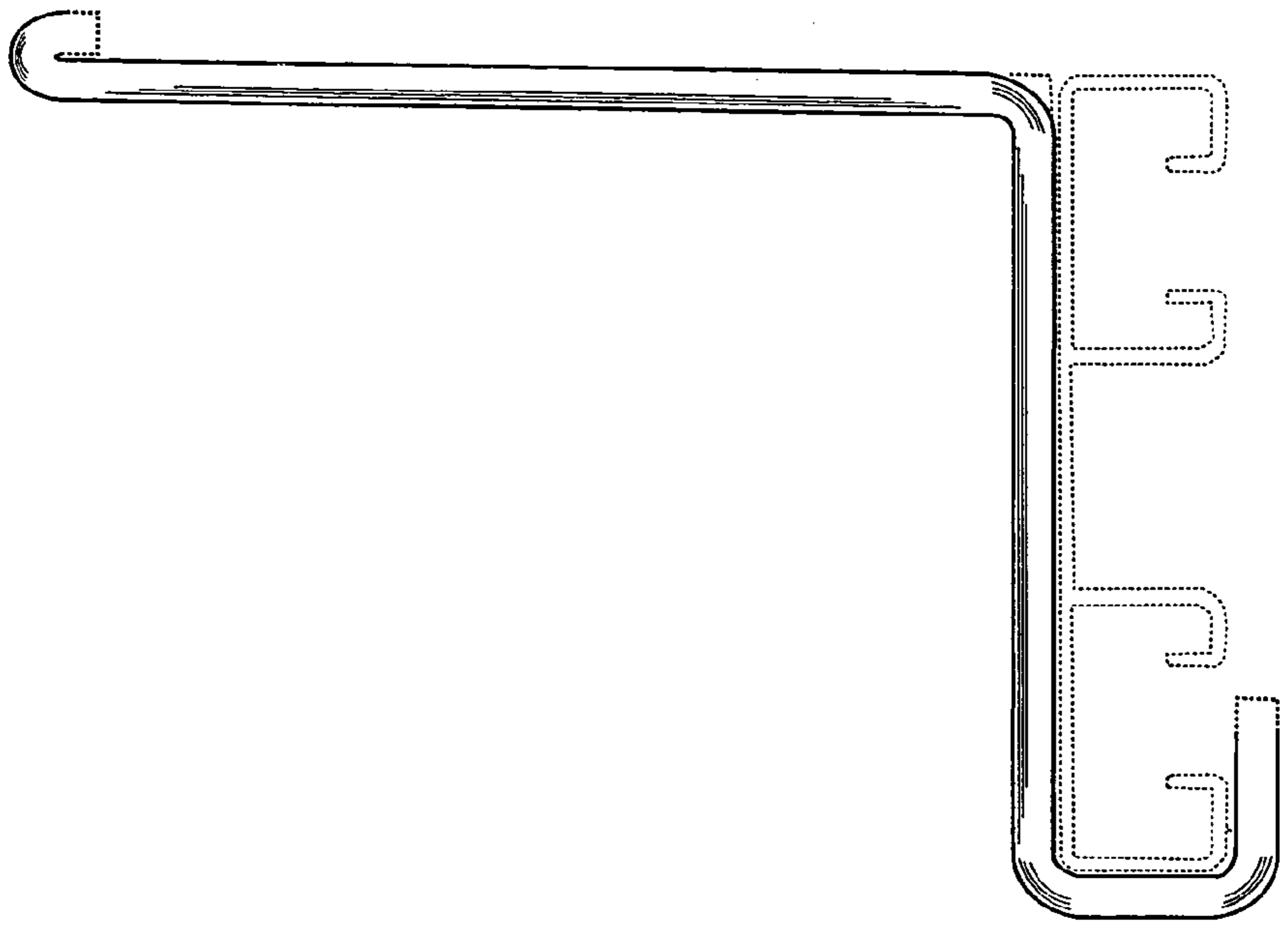


Fig. 4

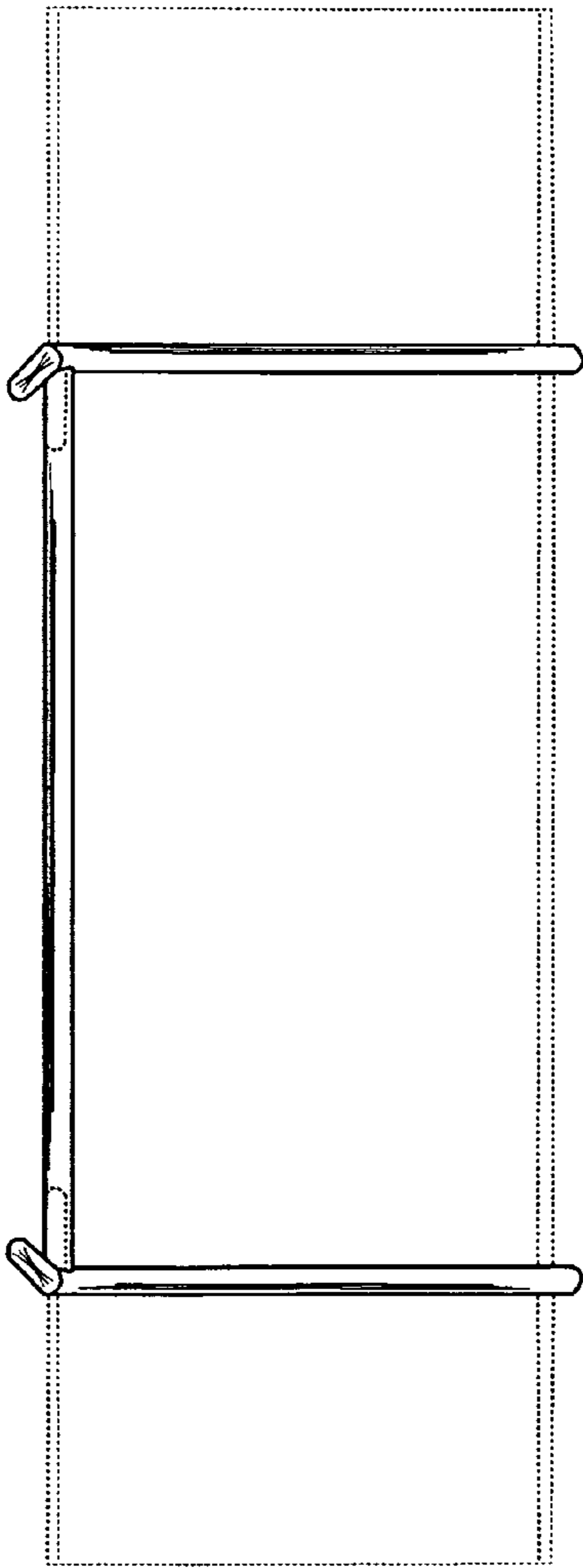


Fig. 5



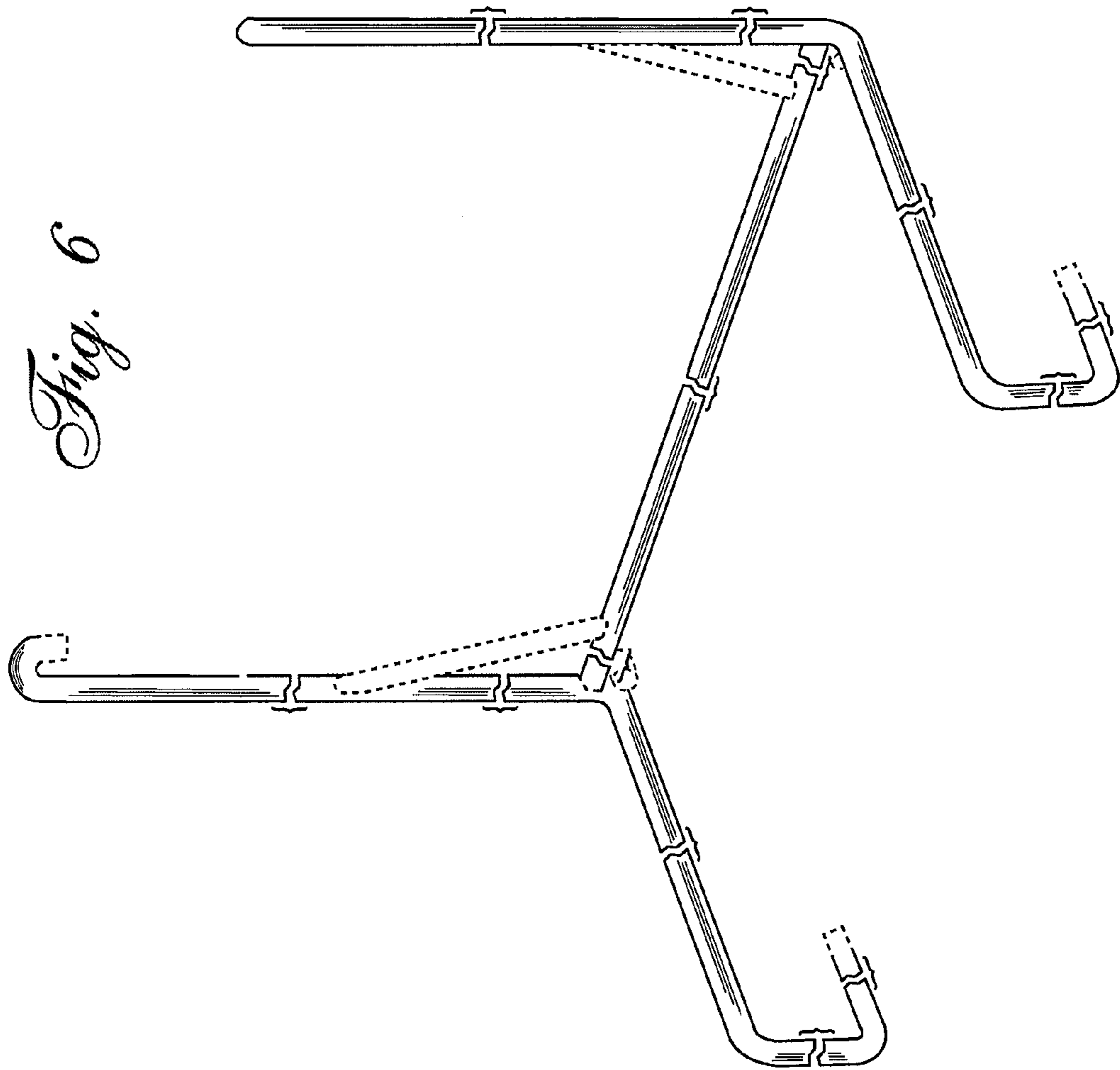


Fig. 6

Fig. 8

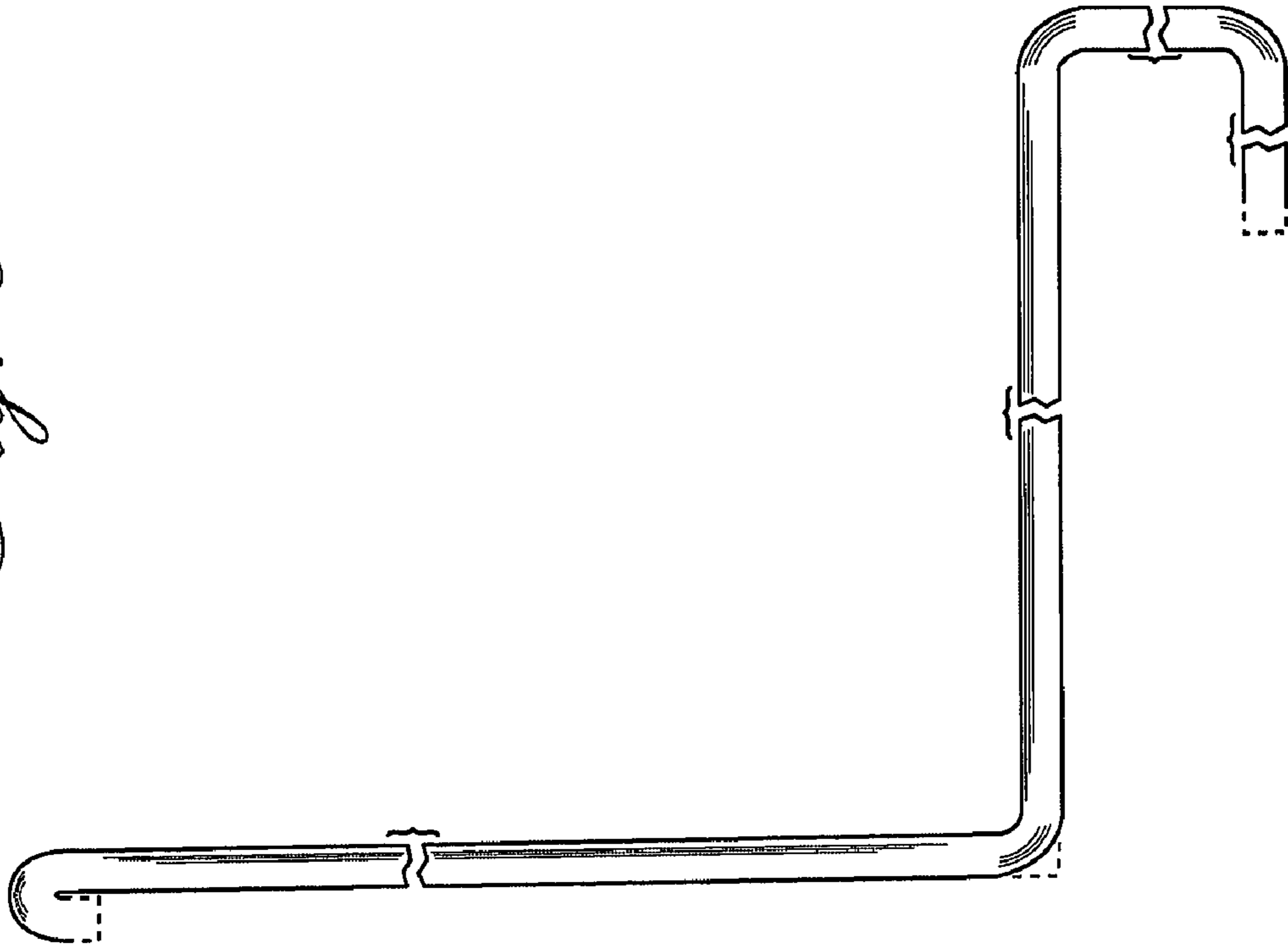


Fig. 7

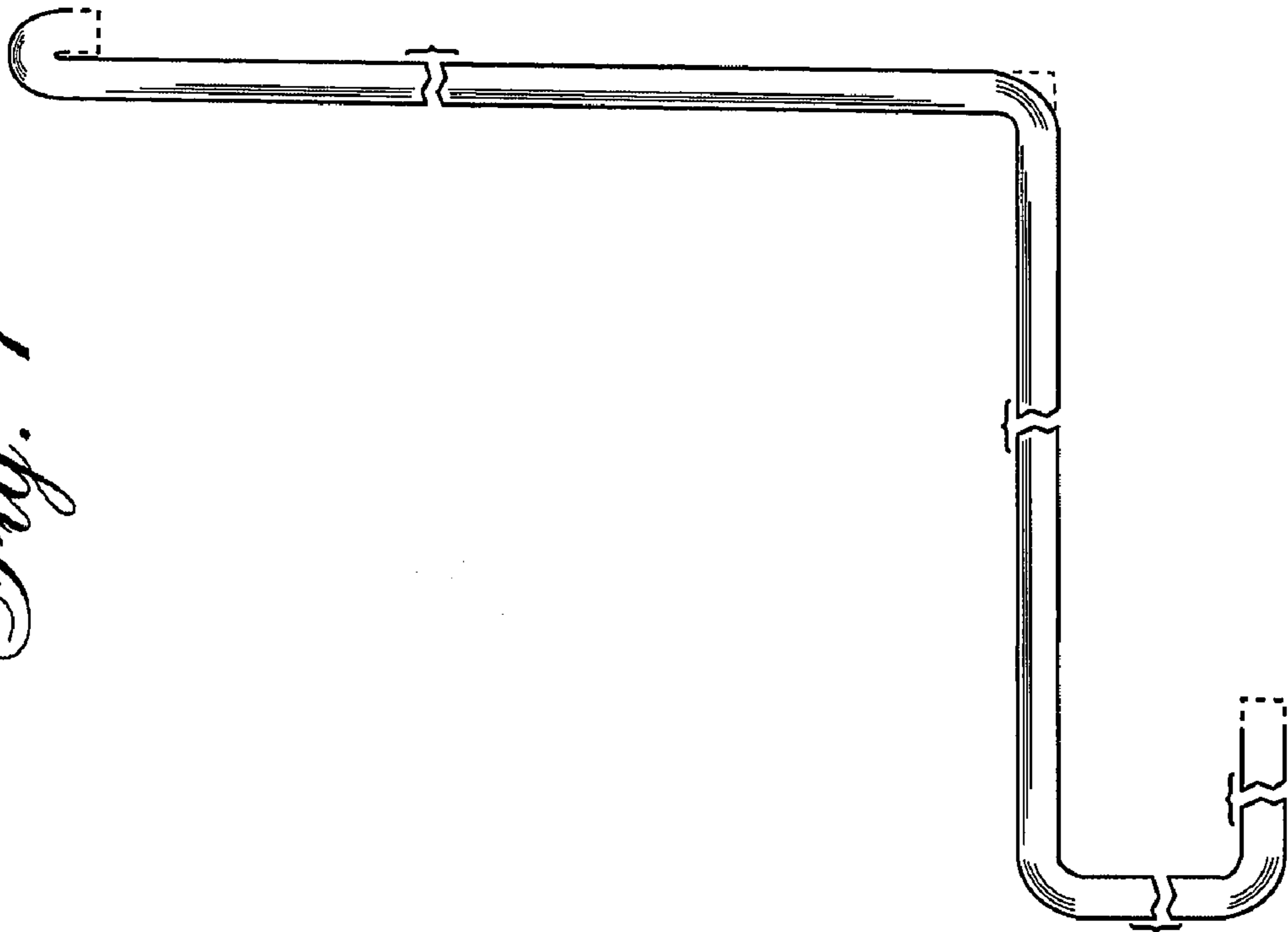


Fig. 9

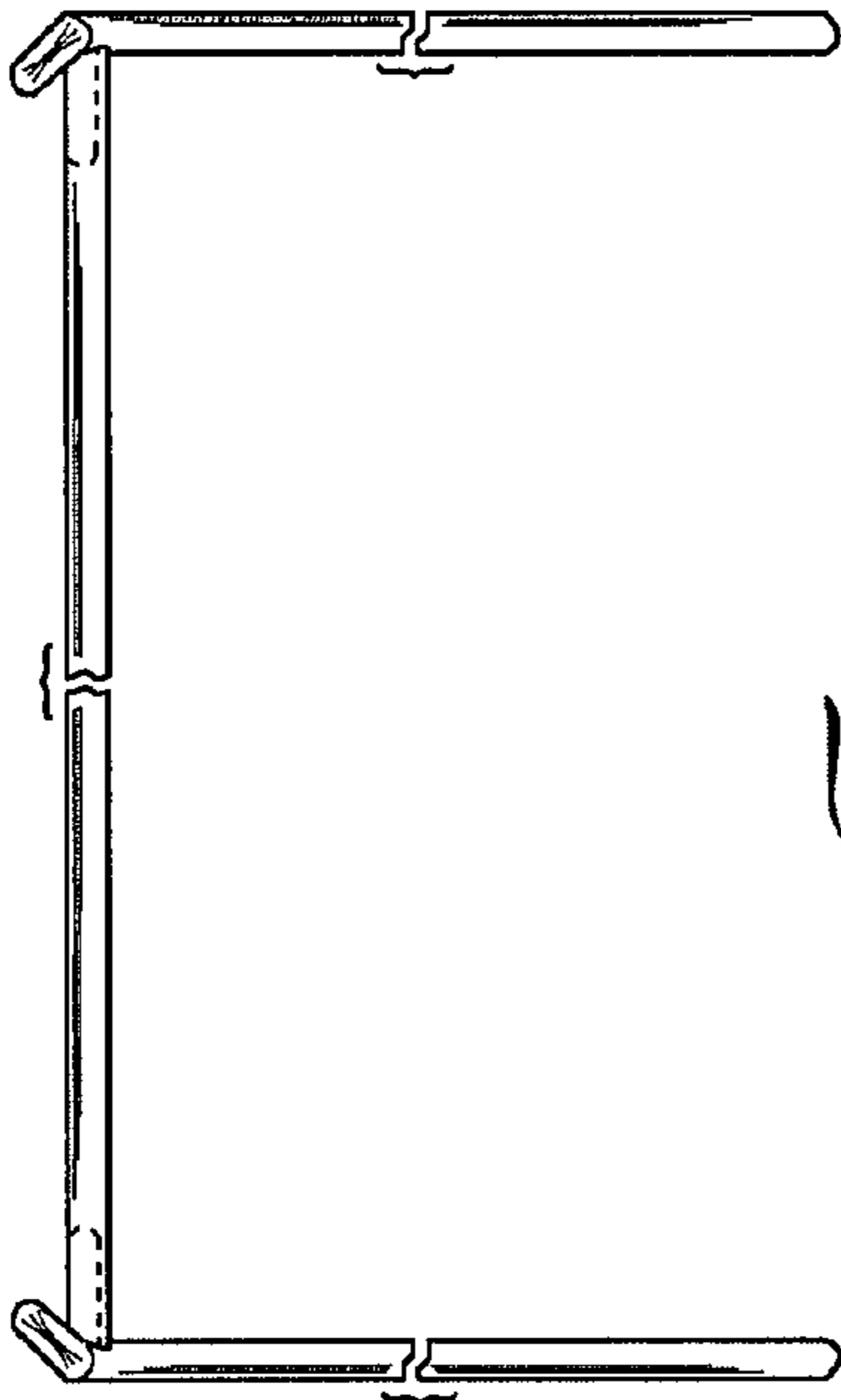


Fig. 10

