



US00D555945S

(12) **United States Design Patent**  
**Pearsons et al.**

(10) **Patent No.:** **US D555,945 S**

(45) **Date of Patent:** **\*\* Nov. 27, 2007**

(54) **TABLE FOOT**

(76) Inventors: **Errol Pearsons**, 303 S. Second St.,  
Grand Haven, MI (US) 49417; **Paul**  
**Koning**, 6434 Oakridge Dr., Holland,  
MI (US) 49423

(\*\*) Term: **14 Years**

(21) Appl. No.: **29/257,523**

(22) Filed: **Apr. 5, 2006**

(51) **LOC (8) Cl.** ..... **06-06**

(52) **U.S. Cl.** ..... **D6/495; D6/498**

(58) **Field of Classification Search** ..... D6/480-489,  
D6/495-499; 108/150, 151, 153.1, 155,  
108/156, 157.1, 161, 50.01, 50.02; 248/188,  
248/188.1, 188.7, 188.8

See application file for complete search history.

(56) **References Cited**

U.S. PATENT DOCUMENTS

D276,864 S	*	12/1984	Ponzellini	.....	D6/498
D284,534 S		7/1986	Montenecourt		
D296,635 S		7/1988	Kelley et al.		
D314,299 S	*	2/1991	Diffrient	.....	D6/495
D324,615 S	*	3/1992	Diffrient	.....	D6/495
D334,857 S		4/1993	Miller		
D380,632 S	*	7/1997	Schacht	.....	D6/495
D414,357 S		9/1999	Fu		
D431,739 S	*	10/2000	Rives	.....	D6/495
6,647,900 B1	*	11/2003	Kopish	.....	108/50.02

D498,953 S	11/2004	Strong
D499,905 S	12/2004	Grosfillex
D505,813 S	6/2005	McBrayer, Jr. et al.

\* cited by examiner

*Primary Examiner*—Janice E. Seeger  
(74) *Attorney, Agent, or Firm*—Miller, Canfield, Paddock  
and Stone; Robert K. Roth

(57) **CLAIM**

The ornamental design for a table foot, as shown and  
described.

**DESCRIPTION**

FIG. 1 is a perspective view of a table foot, showing my new  
design;

FIG. 2 is an end view of the table foot of FIG. 1.

FIG. 3 is a top view of the table foot of FIG. 1.

FIG. 4 is a side view of the table foot of FIG. 1.

FIG. 5 is a perspective view of a second alternate preferred  
embodiment of the table foot having two feet of different  
lengths.

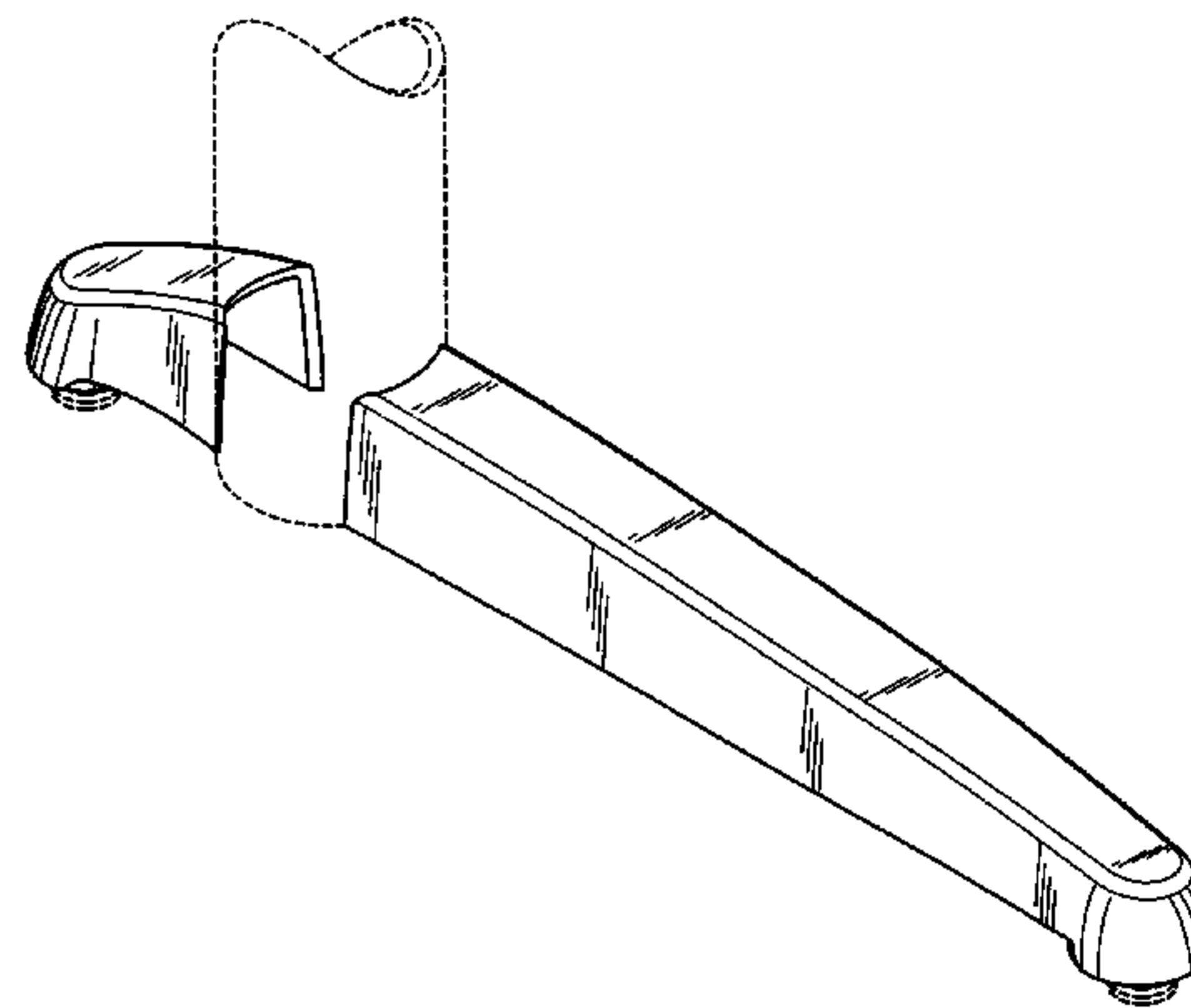
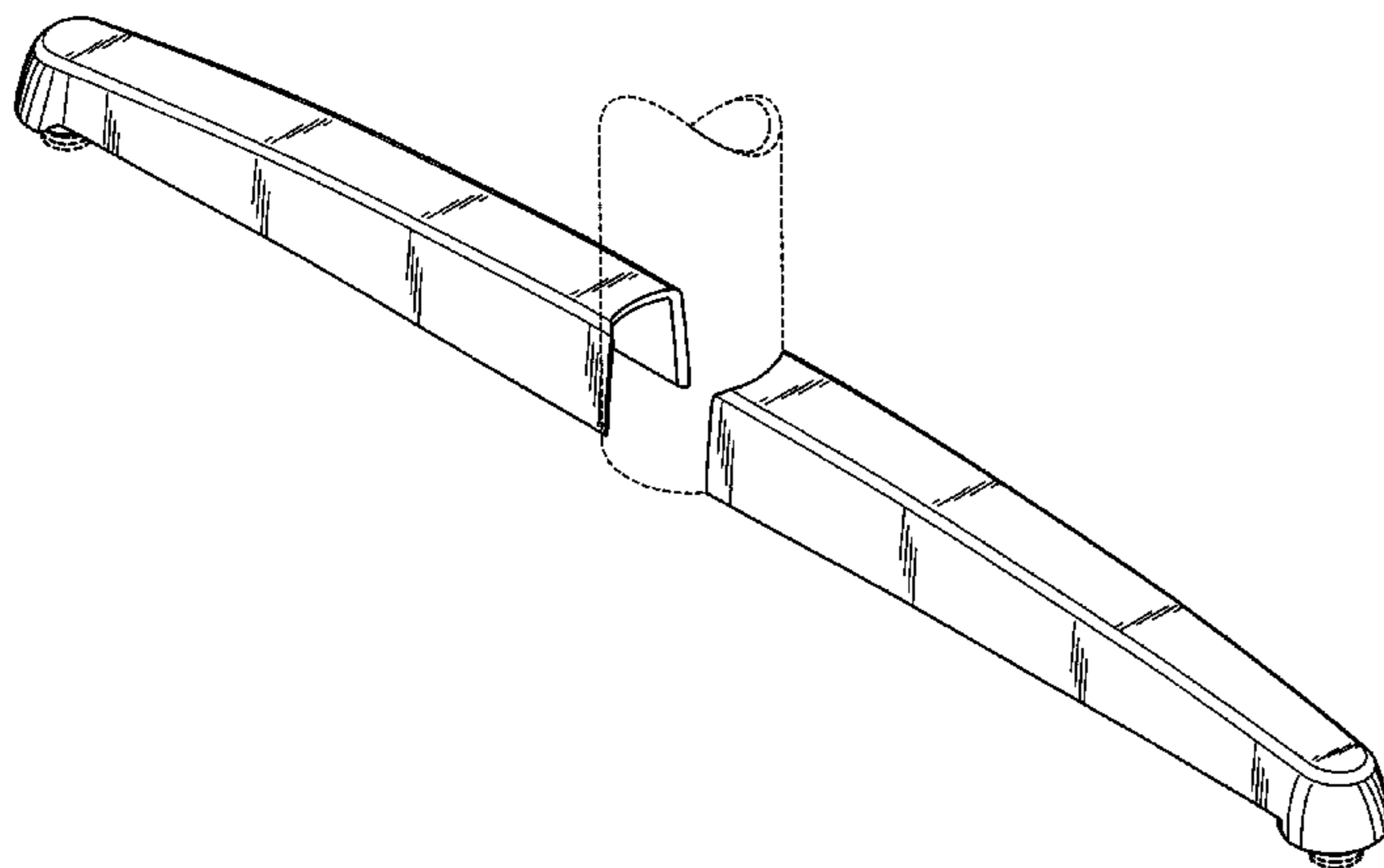
FIG. 6 is an end view of the table foot of FIG. 5.

FIG. 7 is a top view of the table foot of FIG. 5; and,

FIG. 8 is a side view of the table foot of FIG. 5.

The broken lines are for environmental purposes only and  
form no part of the claimed design.

**1 Claim, 4 Drawing Sheets**



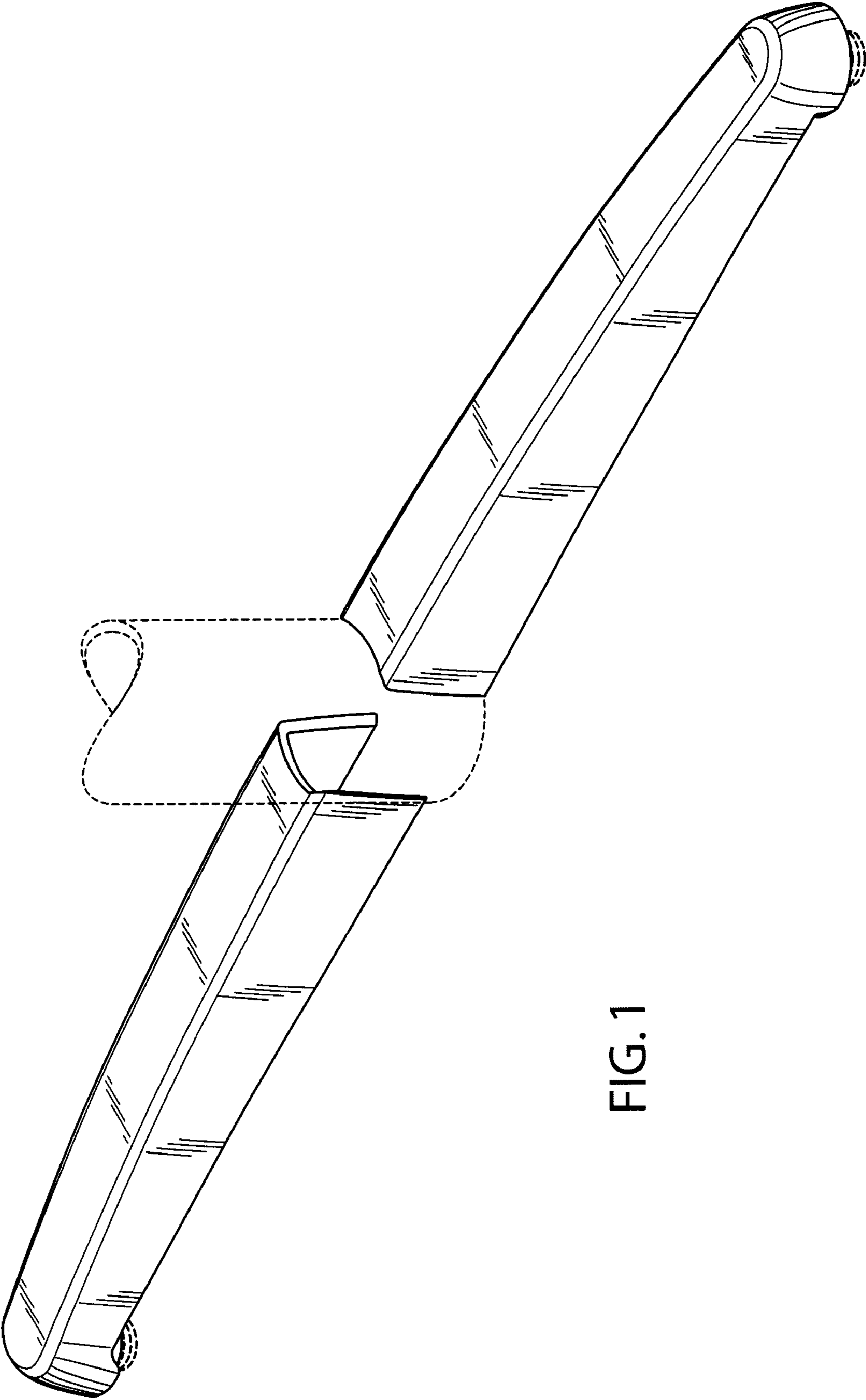


FIG. 1

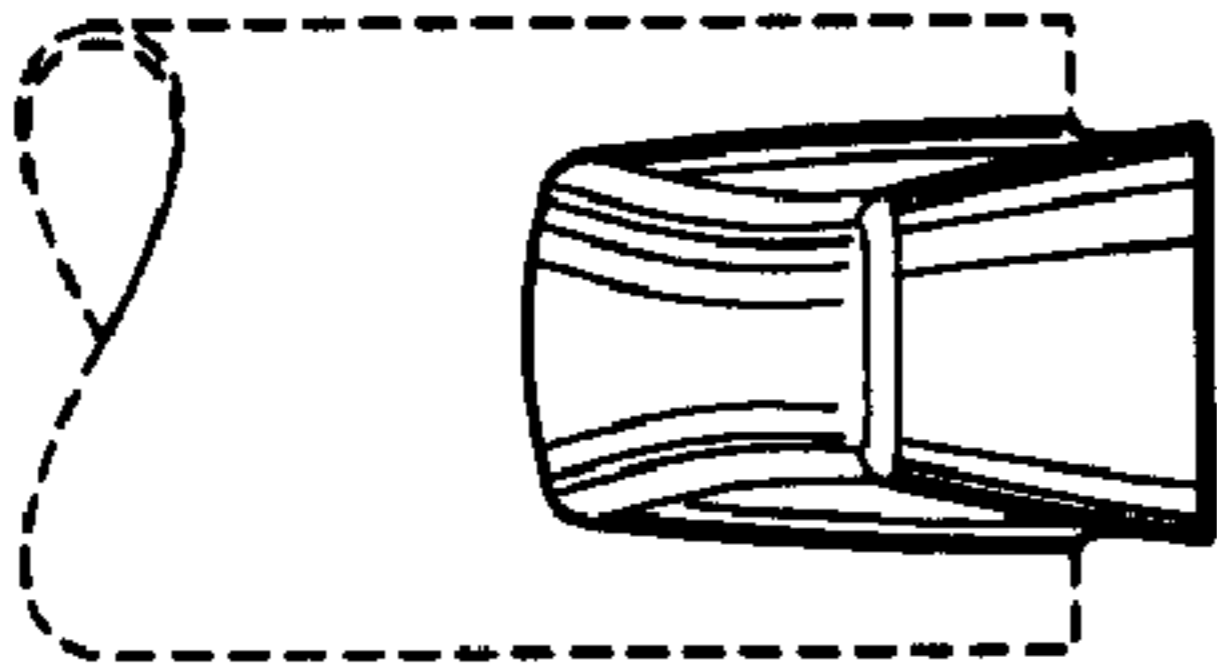


FIG. 2

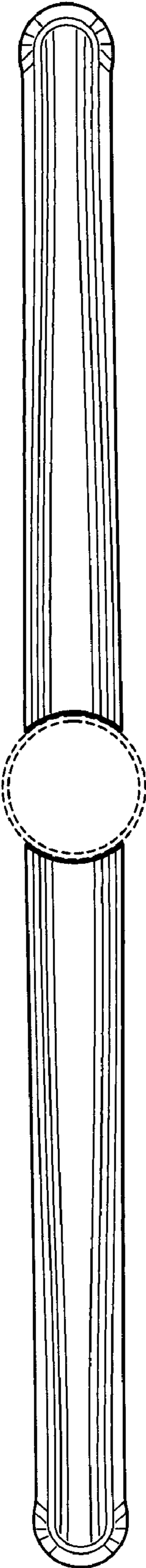


FIG. 3

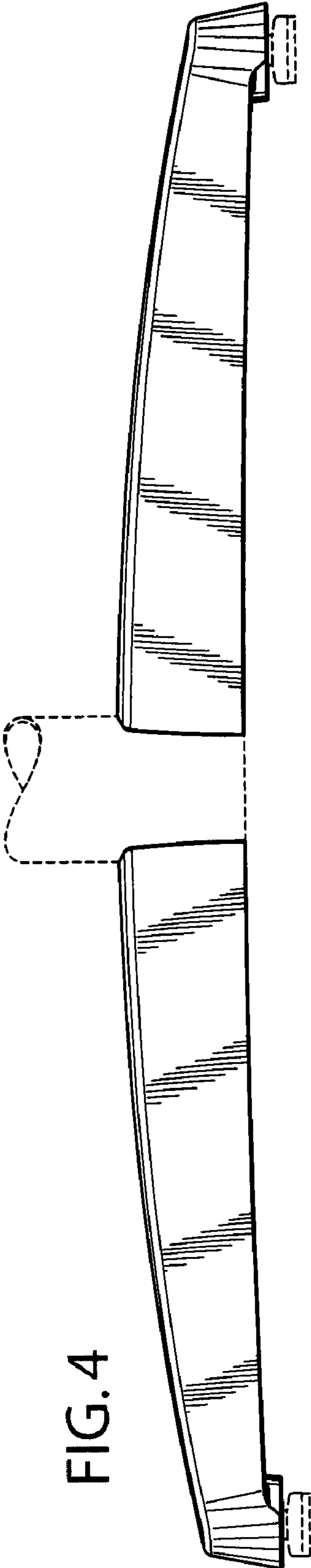


FIG. 4

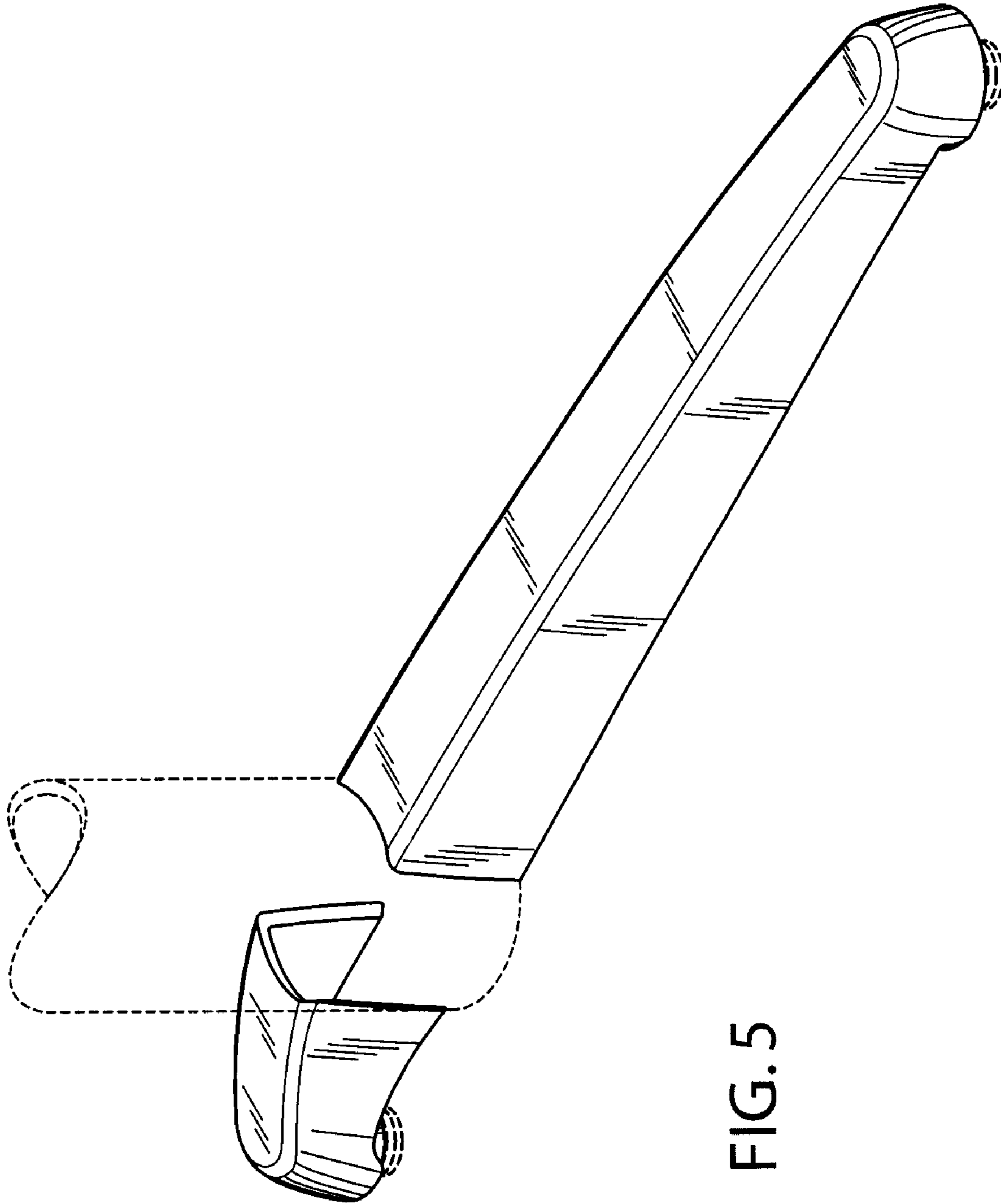


FIG. 5

FIG.6

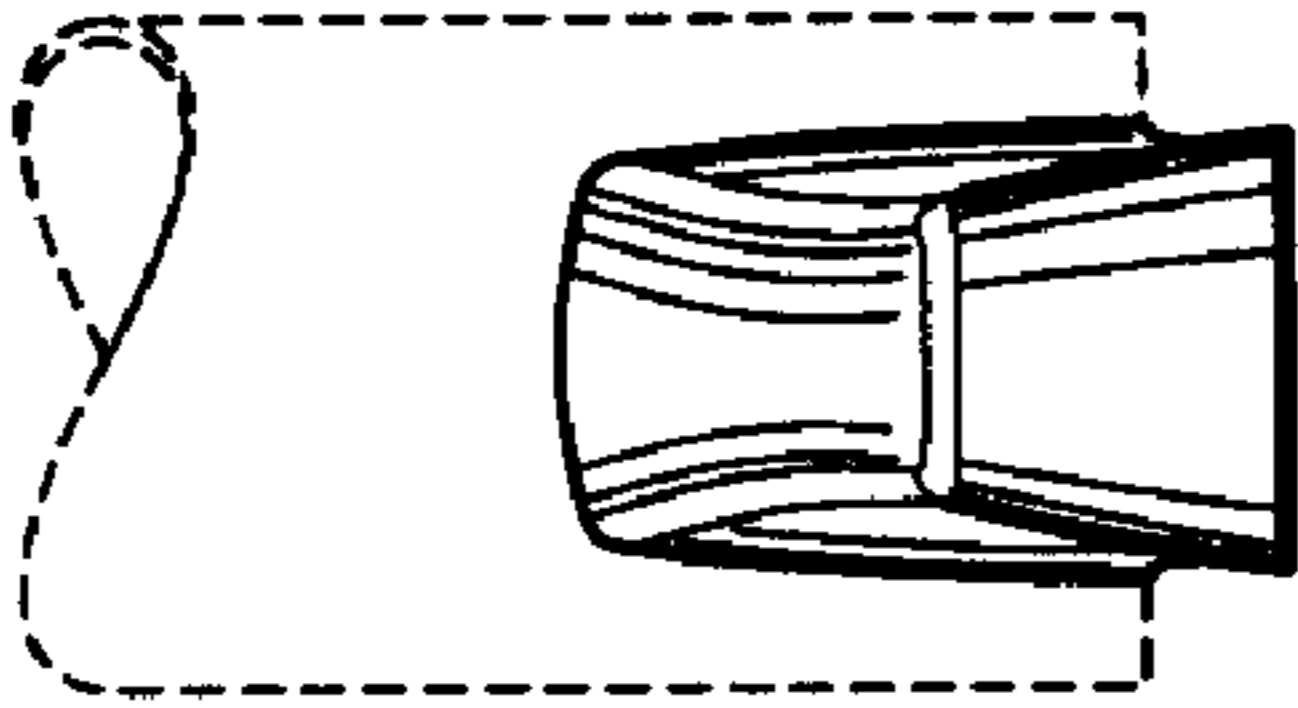


FIG.7

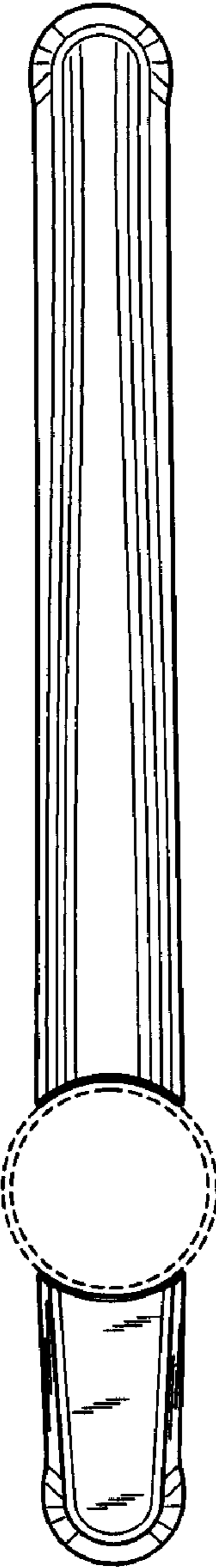


FIG.8

