



US00D555943S

(12) **United States Design Patent**
Butler et al.

(10) **Patent No.:** **US D555,943 S**

(45) **Date of Patent:** **** Nov. 27, 2007**

(54) **ORGANIZER**

(75) Inventors: **Margaret Butler**, Raleigh, NC (US);
Sean Campbell, Raleigh, NC (US);
Manoj Mistry, Raleigh, NC (US);
Anthony Annibale, Raleigh, NC (US);
Melanie C. Sifuentes, Columbia, MD
(US); **Xiaogang Guo**, Greensburg, PA
(US)

(73) Assignee: **Newell Operating Company**, Atlanta,
GA (US)

(**) Term: **14 Years**

(21) Appl. No.: **29/275,046**

(22) Filed: **Dec. 11, 2006**

(51) **LOC (8) Cl.** **06-06**

(52) **U.S. Cl.** **D6/491; D6/510**

(58) **Field of Classification Search** D6/449,
D6/491, 458, 461-468, 510; D3/306; 206/507,
206/513; 211/126.8, 126.9, 126.14, 133.2,
211/133.5, 181.1; 312/330.1, 348.4

See application file for complete search history.

(56) **References Cited**

U.S. PATENT DOCUMENTS

2,497,574	A *	2/1950	Bahnson	206/513
2,643,167	A	6/1953	Wade		
2,822,229	A	2/1958	Carlson		
2,919,966	A	1/1960	Preston		
2,950,825	A *	8/1960	Averill	211/126.8
3,114,459	A	12/1963	Kersting		
3,338,466	A *	8/1967	Hare et al.	206/507
D243,042	S	1/1977	Dorn		
4,002,240	A	1/1977	Dorn		
D258,186	S *	2/1981	Glassenberg et al.	D6/510
D264,761	S	6/1982	Dekarski		
D280,788	S	10/1985	Levin		
4,569,447	A	2/1986	Cifranic		
4,893,885	A	1/1990	Borello		
D326,946	S *	6/1992	Szuster	D6/464
D360,559	S	7/1995	Grubb et al.		
5,437,376	A	8/1995	Larsen		
5,586,816	A	12/1996	Geiss, II		
D416,169	S	11/1999	Sarnoff et al.		
6,161,808	A	12/2000	East et al.		

6,491,173	B1 *	12/2002	Costa	211/133.5
6,520,354	B1	2/2003	Skvorecz		
6,595,475	B2	7/2003	Svabek et al.		
D485,706	S	1/2004	O'Connell Cooper et al.		
D486,008	S	2/2004	Pospisil et al.		
6,702,411	B2	3/2004	Helver		
6,840,593	B2 *	1/2005	Remmers	312/330.1
6,969,133	B2 *	11/2005	Compagnucci	312/348.4
D514,354	S	2/2006	Nix et al.		
D532,215	S *	11/2006	Calabria et al.	D6/462
D532,216	S *	11/2006	Calabria et al.	D6/462
D532,993	S *	12/2006	Calabria et al.	D6/462
2003/0034318	A1	2/2003	Skvorecz		
2004/0066121	A1	4/2004	Steadman		
2005/0006994	A1	1/2005	Rapier, III		
2005/0023230	A1	2/2005	Lin		
2005/0218274	A1	10/2005	Skvorecz		

OTHER PUBLICATIONS

AMEROCK, Hide-A-Shelf Hardware Kit catalog sheet.
REV-A-SHELF, LLC, Heavy Duty Mixer Lift catalog sheet.

* cited by examiner

Primary Examiner—Mimosa De

(74) *Attorney, Agent, or Firm*—Banner & Witcoff, Ltd.

(57) **CLAIM**

We claim the ornamental design for an organizer, as shown and described.

DESCRIPTION

FIG. 1 is a perspective view of an organizer of the present claimed design;

FIG. 2 is a side view of the organizer shown in FIG. 1, the opposite side view being identical thereto;

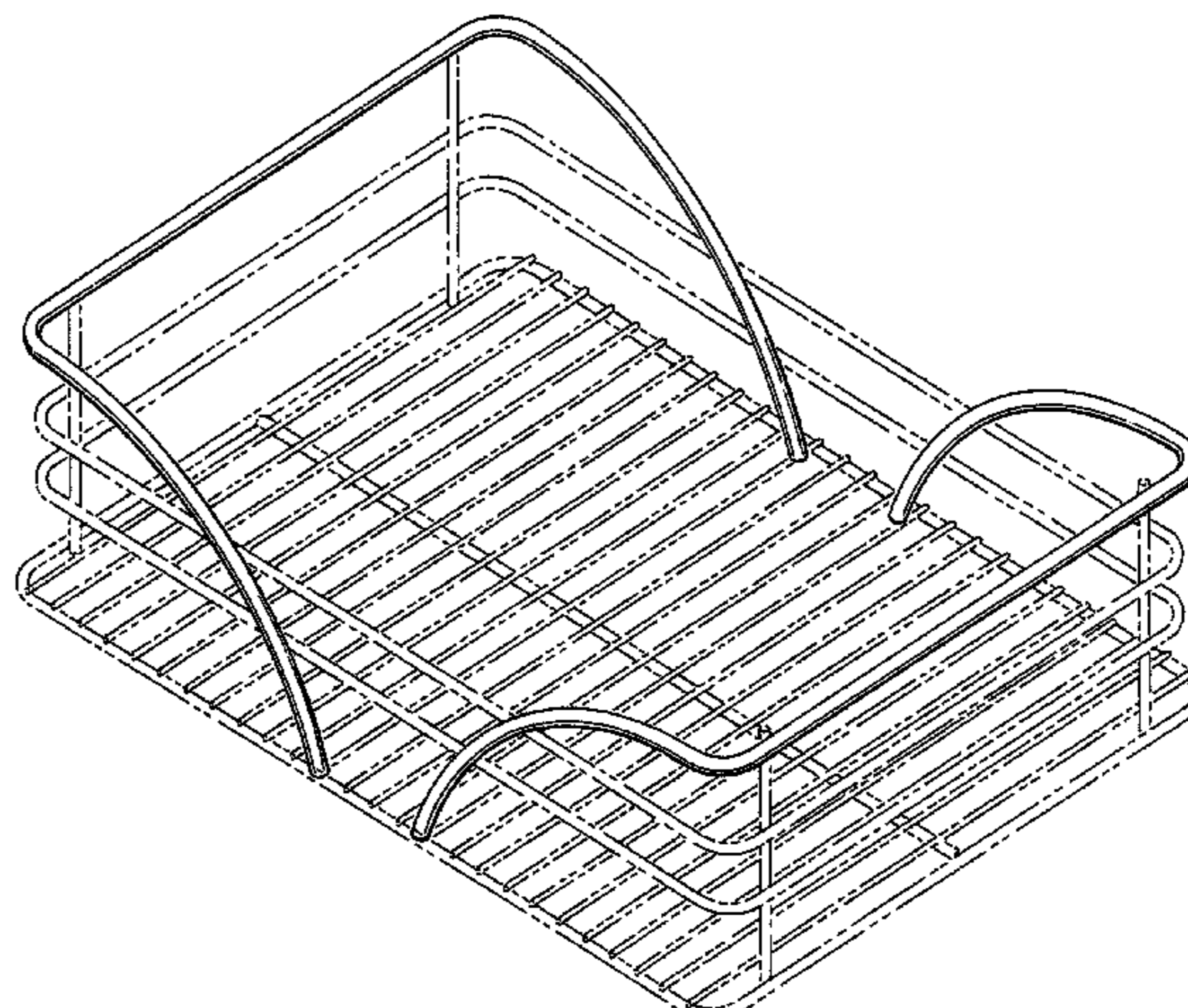
FIG. 3 is a top view of the organizer shown in FIG. 1;

FIG. 4 is an end view of the organizer shown in FIG. 1, the opposite end view being identical thereto; and,

FIG. 5 is a bottom view of the organizer shown in FIG. 1.

Features shown in broken lines in the drawings are not part of the claim.

1 Claim, 3 Drawing Sheets



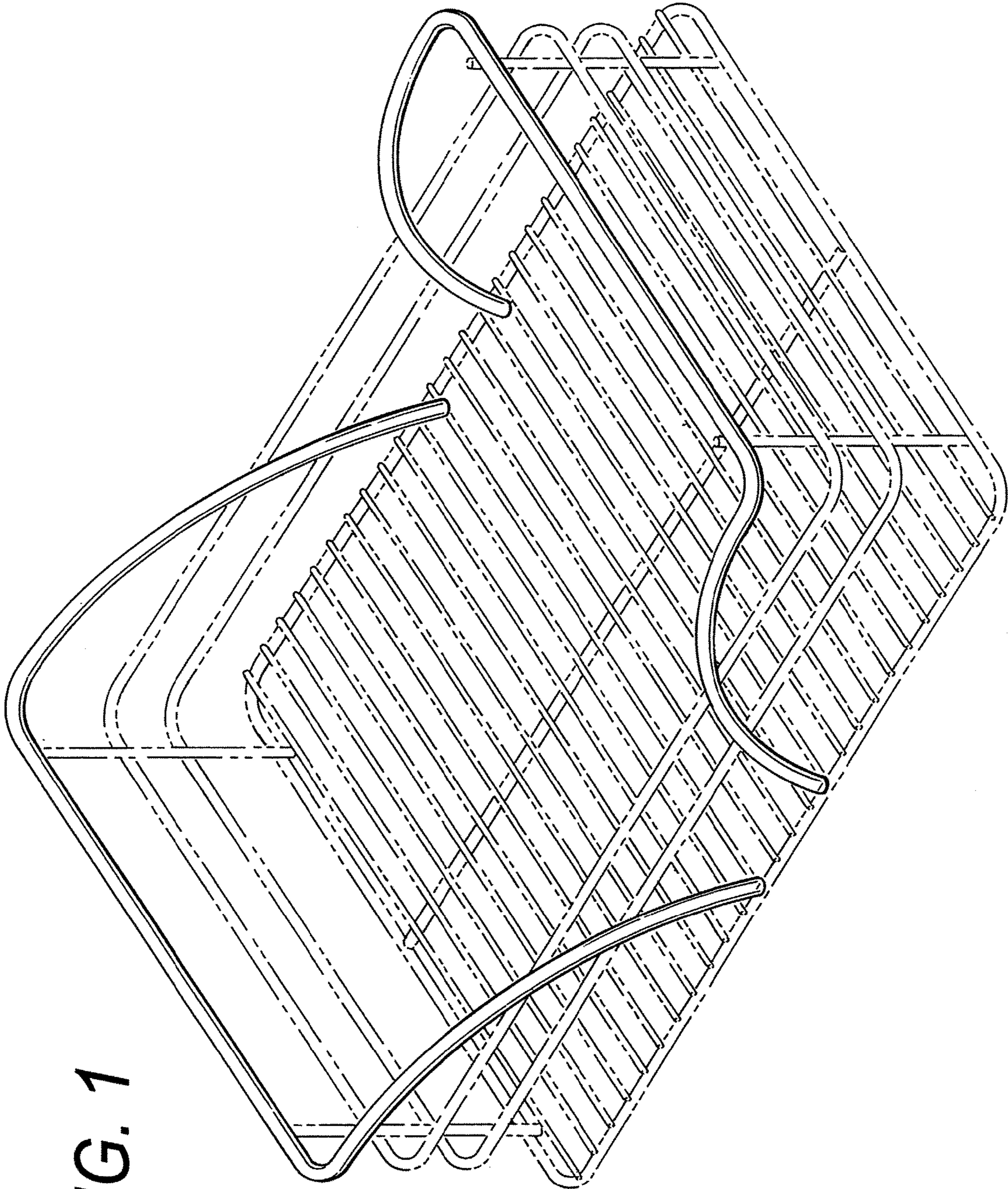


FIG. 1

FIG. 2

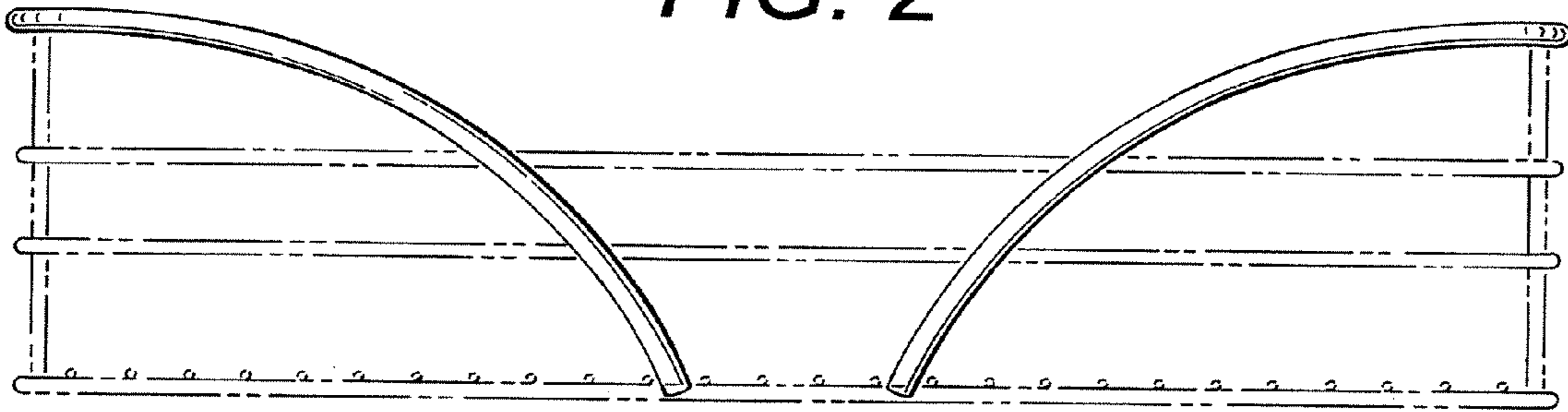


FIG. 3

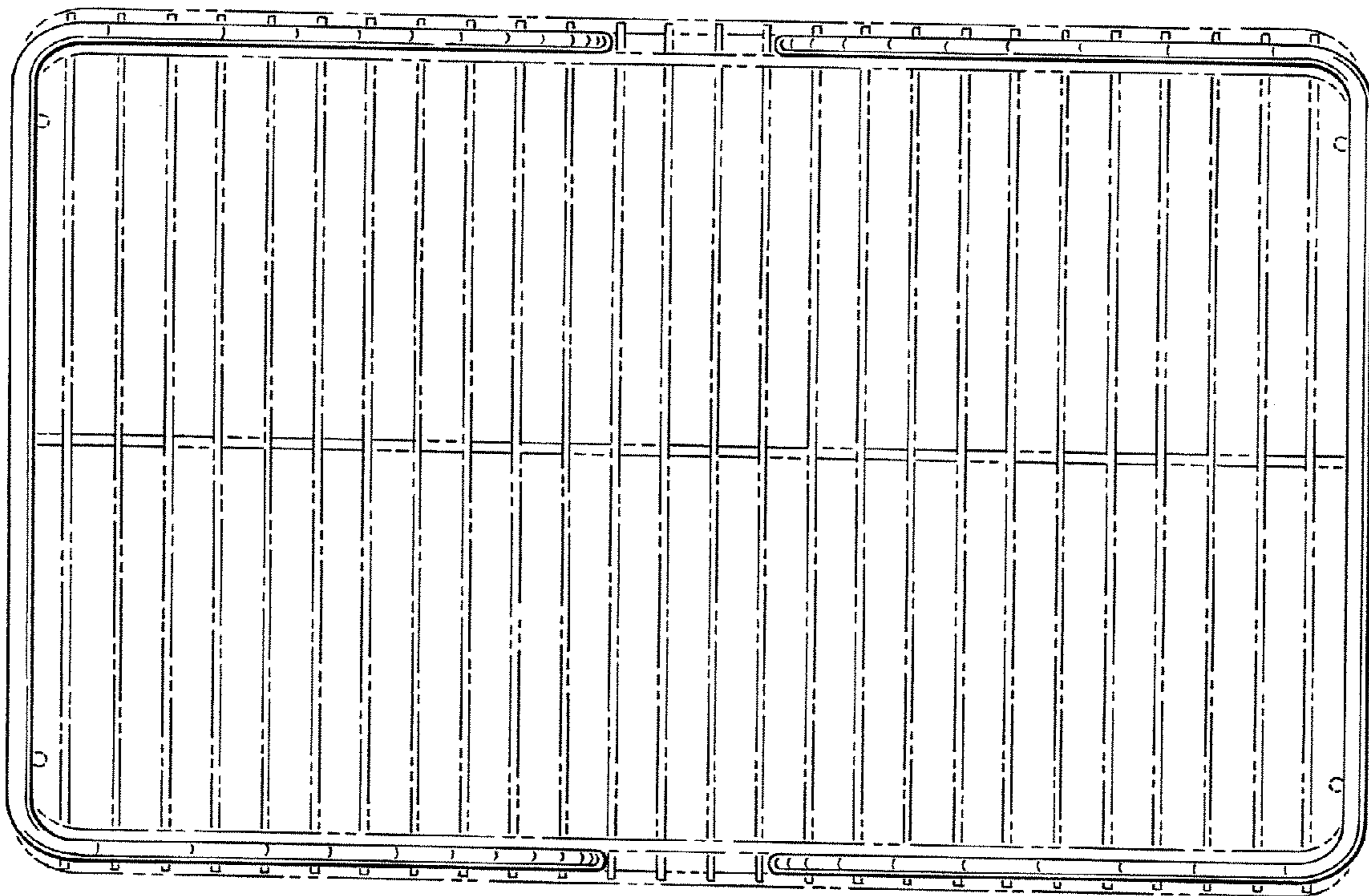


FIG. 4

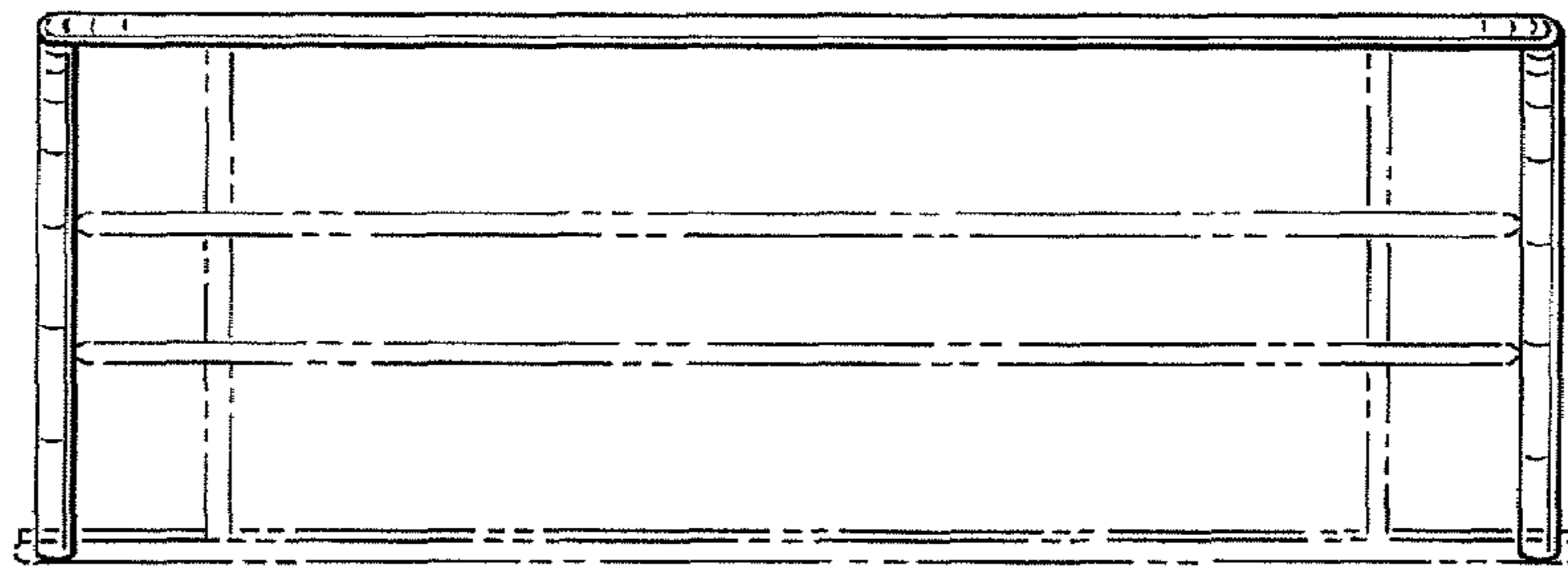


FIG. 5

