



US00D555942S

(12) **United States Design Patent** (10) **Patent No.:** **US D555,942 S**
Adams (45) **Date of Patent:** **** Nov. 27, 2007**

(54) **STACKING SIDE TABLE WITH CHECKERBOARD**

(75) Inventor: **William E. Adams**, Portersville, PA (US)

(73) Assignee: **Adams Mfg. Corp.**, Portersville, PA (US)

(**) Term: **14 Years**

(21) Appl. No.: **29/261,290**

(22) Filed: **Jun. 12, 2006**

(51) **LOC (8) Cl.** **06-03**

(52) **U.S. Cl.** **D6/484; D21/397**

(58) **Field of Classification Search** D6/480-489, D6/495-499, 511, 429; D21/397; 108/150, 108/153.1, 155, 156, 157.1, 161; 248/188, 248/188.1, 188.8

See application file for complete search history.

(56) **References Cited**

U.S. PATENT DOCUMENTS

- D215,858 S 11/1969 Hamilton et al.
- D224,494 S 8/1972 Kerman
- 4,065,125 A * 12/1977 Chan 473/14
- D303,885 S 10/1989 Goetz
- D317,839 S 7/1991 Pino
- D335,053 S 4/1993 Morin

- D335,788 S * 5/1993 Grosfillex D6/484
- D335,980 S 6/1993 Grosfillex
- D341,279 S 11/1993 Goetz
- D343,204 S * 1/1994 Schramer et al. D21/397
- D355,315 S 2/1995 Walters
- D359,406 S * 6/1995 Crawford et al. D6/484
- D367,787 S 3/1996 VanSkiver et al.
- D376,281 S * 12/1996 Robertson D6/484
- D401,787 S * 12/1998 Zarker et al. D6/480
- D490,254 S 5/2004 Stanton
- D534,744 S * 1/2007 Bibi D6/484

* cited by examiner

Primary Examiner—Janice E. Seeger

(74) *Attorney, Agent, or Firm*—Buchanan Ingersoll & Rooney PC

(57) **CLAIM**

The ornamental design for a stacking side table with checkerboard, as shown and described.

DESCRIPTION

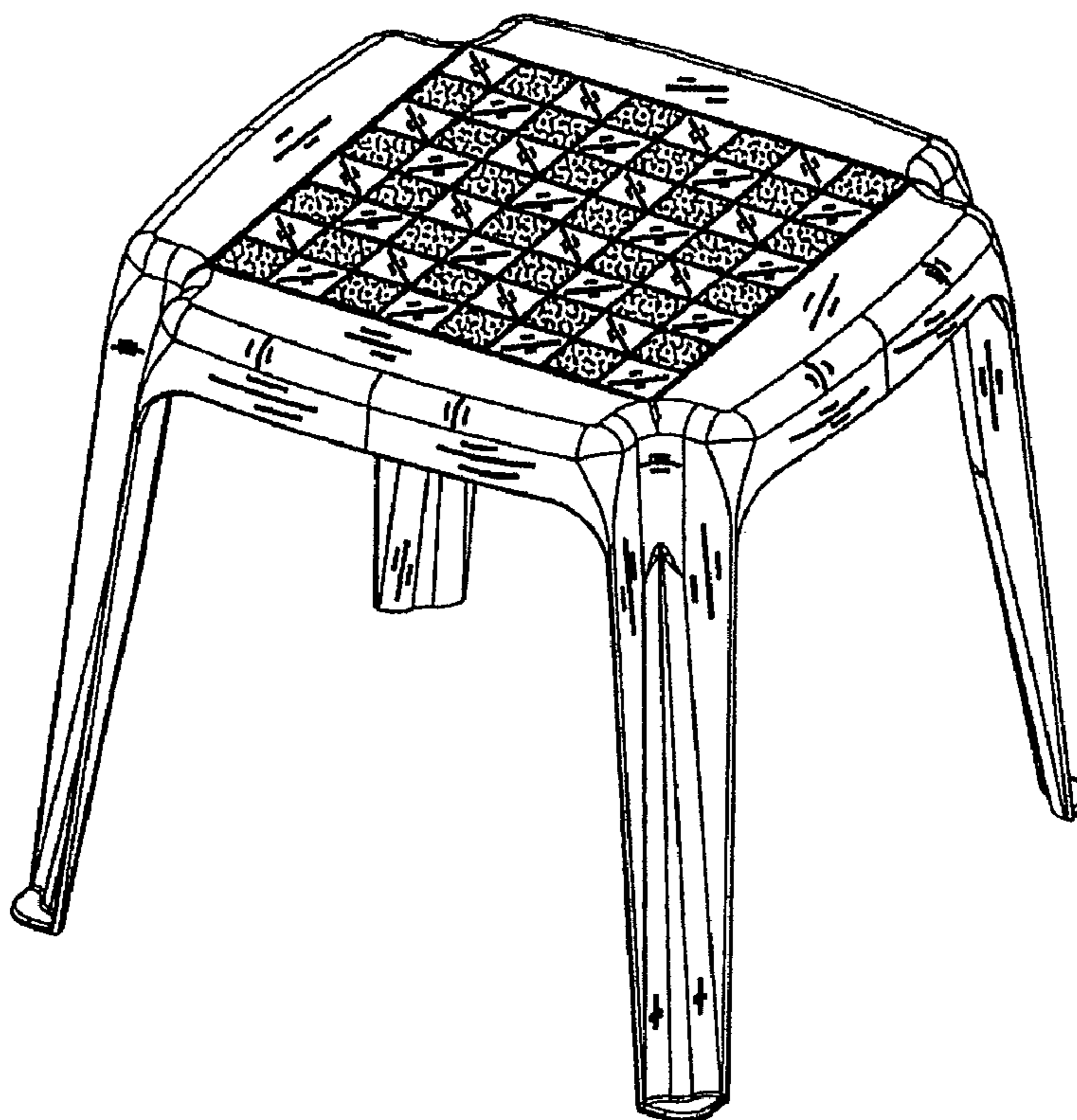
FIG. 1 is a perspective view of my stacking side table with checkerboard;

FIG. 2 is a top view thereof;

FIG. 3 is a side view thereof; and,

FIG. 4 is a bottom view thereof.

1 Claim, 2 Drawing Sheets



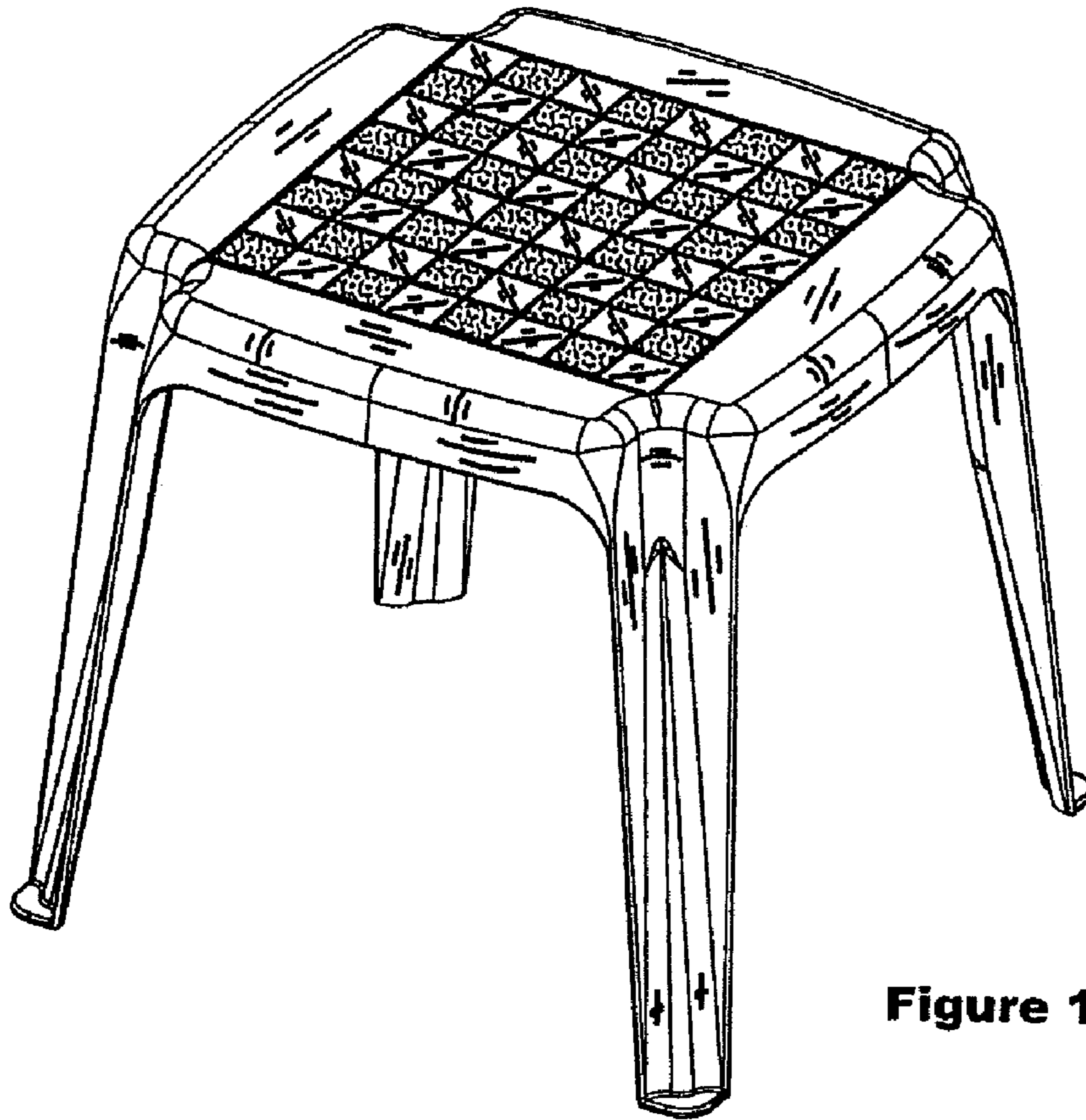


Figure 1

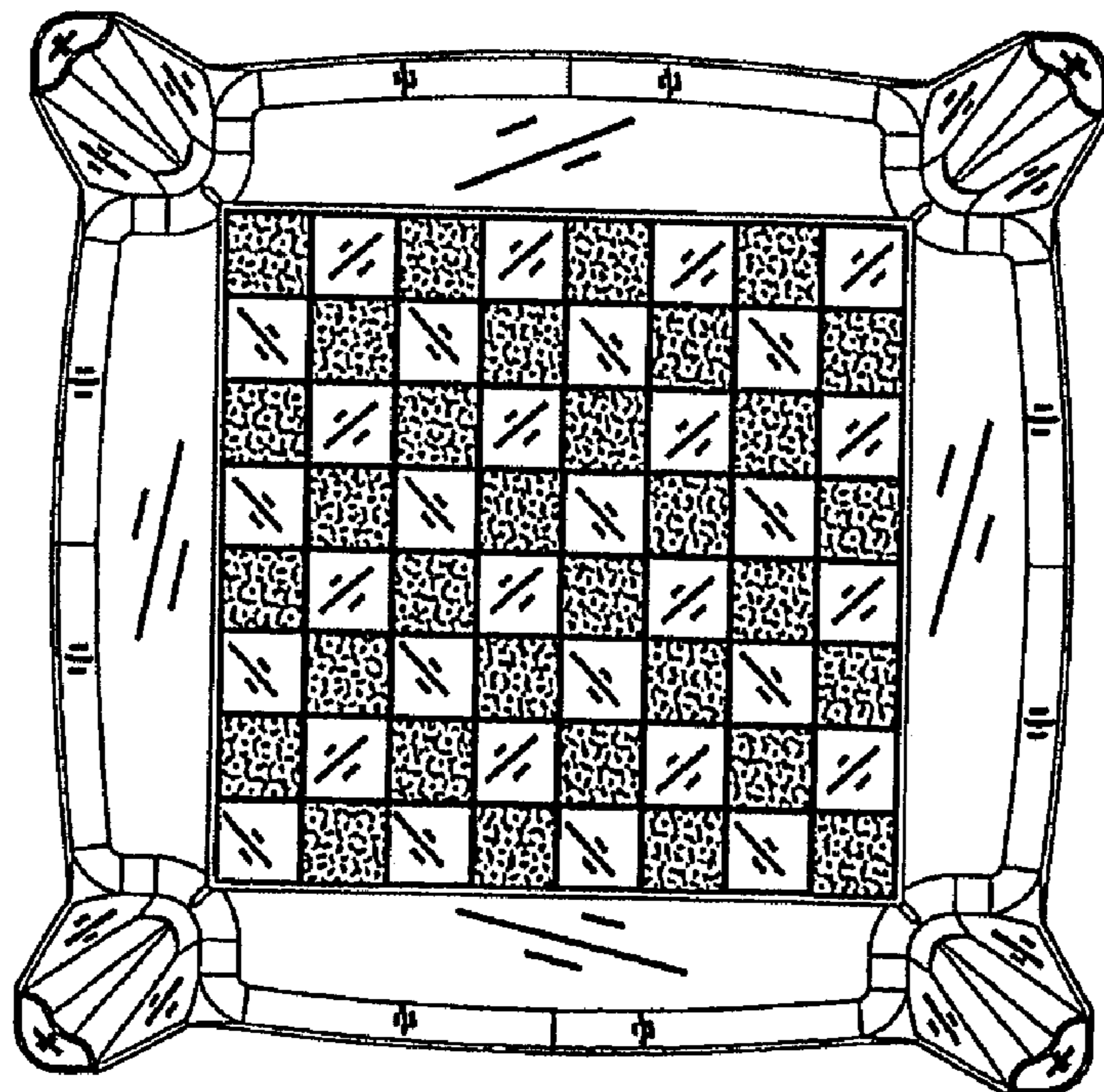


Figure 2

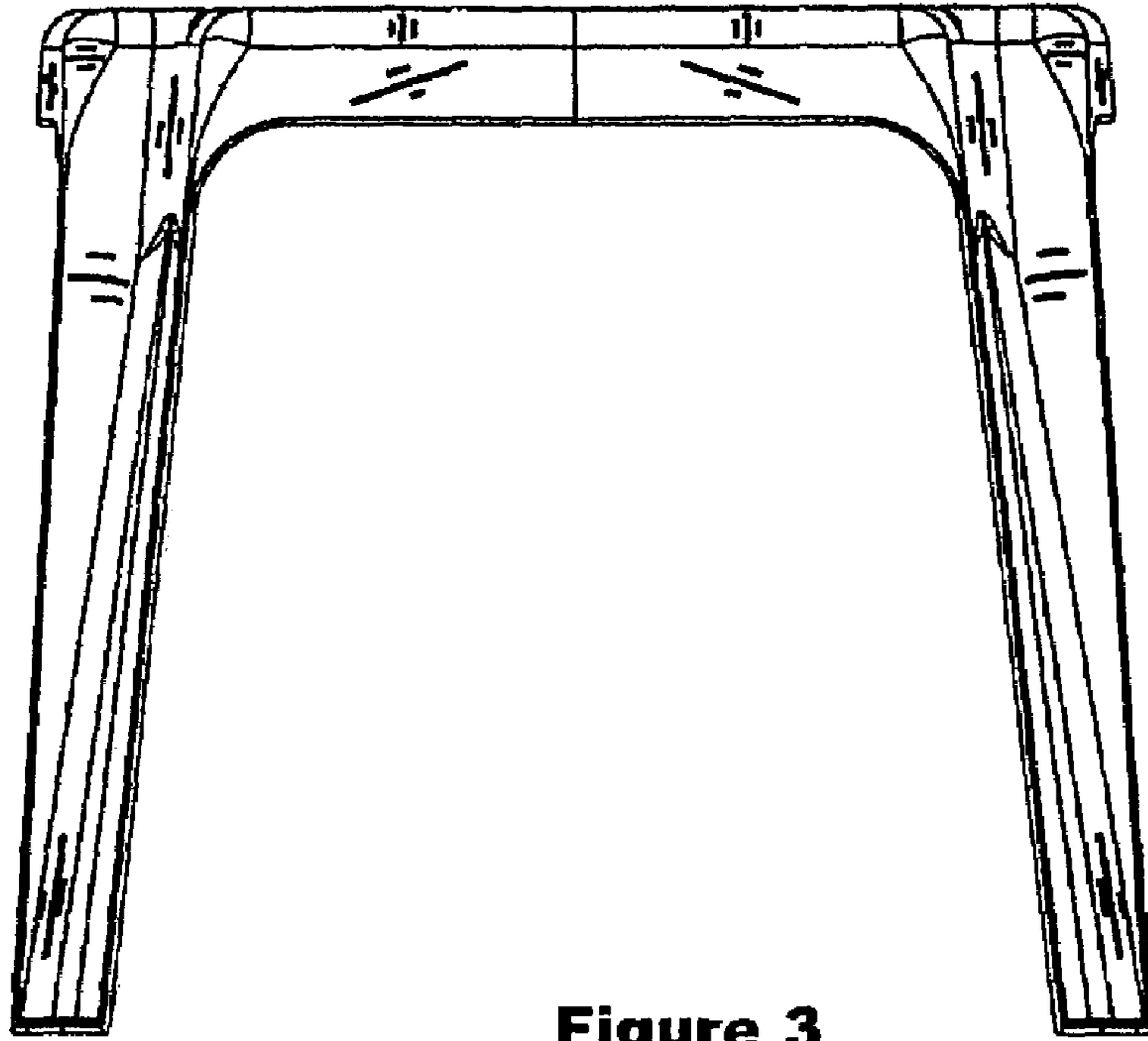


Figure 3

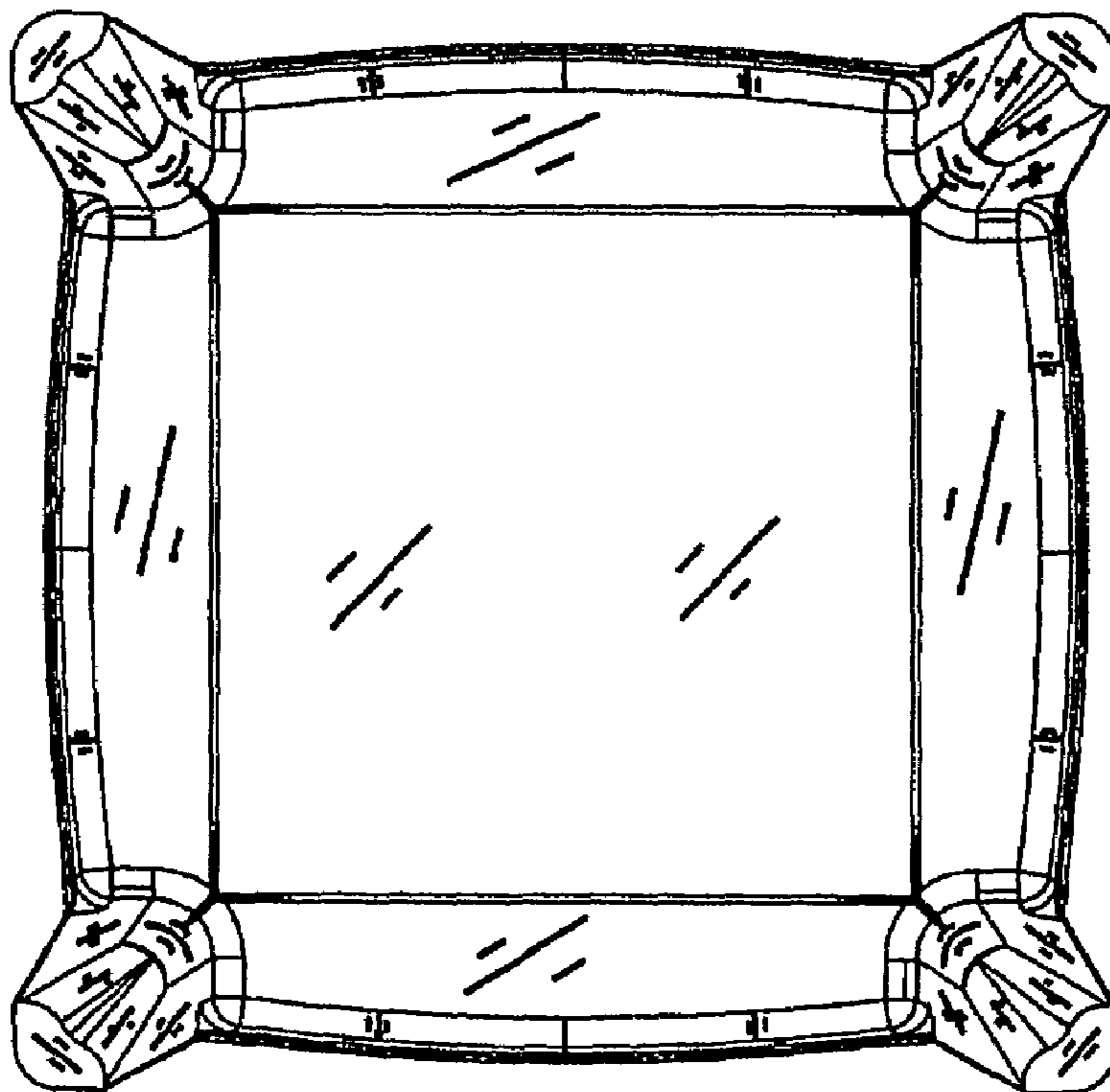


Figure 4