



US00D555941S

(12) **United States Design Patent** (10) **Patent No.:** **US D555,941 S**  
**Sorci** (45) **Date of Patent:** **\*\* \*Nov. 27, 2007**

(54) **ELONGATED TABLE**

(76) Inventor: **Joseph Peter Sorci**, 427 Chestnut St.,  
Nashville, TN (US) 37203

(\*) Notice: This patent is subject to a terminal disclaimer.

(\*\*) Term: **14 Years**

(21) Appl. No.: **29/253,695**

(22) Filed: **Feb. 10, 2006**

(51) **LOC (8) Cl.** ..... **06-03**

(52) **U.S. Cl.** ..... **D6/484**

(58) **Field of Classification Search** ..... D6/480-489,  
D6/495-499, 511, 429, 349, 355; 108/150,  
108/153.1, 155, 156; 248/188, 188.1, 188.8;  
297/461, 462

See application file for complete search history.

(56) **References Cited**

**U.S. PATENT DOCUMENTS**

795,957 A	8/1905	Cartland	
1,422,613 A	7/1922	Ogden	
2,005,715 A	6/1935	Kovats	155/148
2,615,770 A	10/1952	Curtis	311/35
D168,167 S *	11/1952	Molla	D6/480
2,731,316 A	1/1956	Cohen	311/4
2,903,312 A	9/1959	Lawless	311/35
3,087,758 A	4/1963	Deaton	297/445
D195,854 S *	8/1963	Schwarz	D6/495
3,556,594 A	1/1971	Anderson	297/452
D244,076 S *	4/1977	Saltz	D6/484

D245,135 S *	7/1977	Saltz	D6/484
D328,829 S *	8/1992	Wisner	D6/436
D329,553 S *	9/1992	White	D6/484
5,865,129 A	2/1999	Samples	108/157.17
D461,061 S *	8/2002	Kent	D6/336
D504,578 S *	5/2005	Moser	D6/349

\* cited by examiner

*Primary Examiner*—Janice E. Seeger  
(74) *Attorney, Agent, or Firm*—Waddey & Patterson, P.C.;  
Edward D. Lanquist, Jr.

(57) **CLAIM**

What is claimed is the ornamental design for an elongated table, as shown and described.

**DESCRIPTION**

FIG. 1 is a front elevation view showing the elongated table of Applicant's invention.

FIG. 2 is an end view of the elongated table of Applicant's invention.

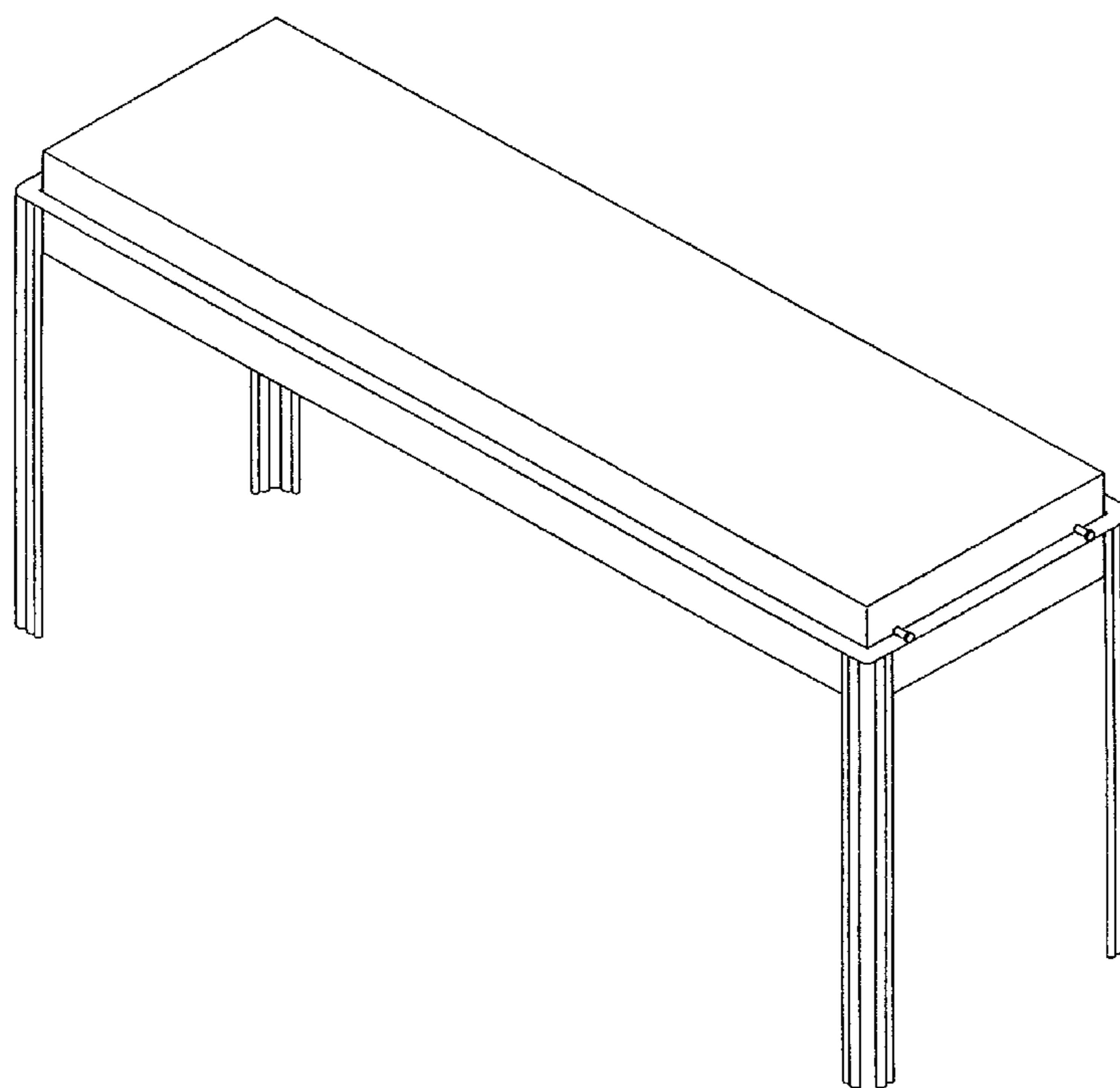
FIG. 3 is a plan view of the elongated table of Applicant's invention.

FIG. 4 is an underneath view of the elongated table of Applicant's invention.

FIG. 5 is a top perspective view showing the elongated table of Applicant's invention; and,

FIG. 6 is a lower perspective view showing the elongated table of Applicant's invention.

**1 Claim, 5 Drawing Sheets**



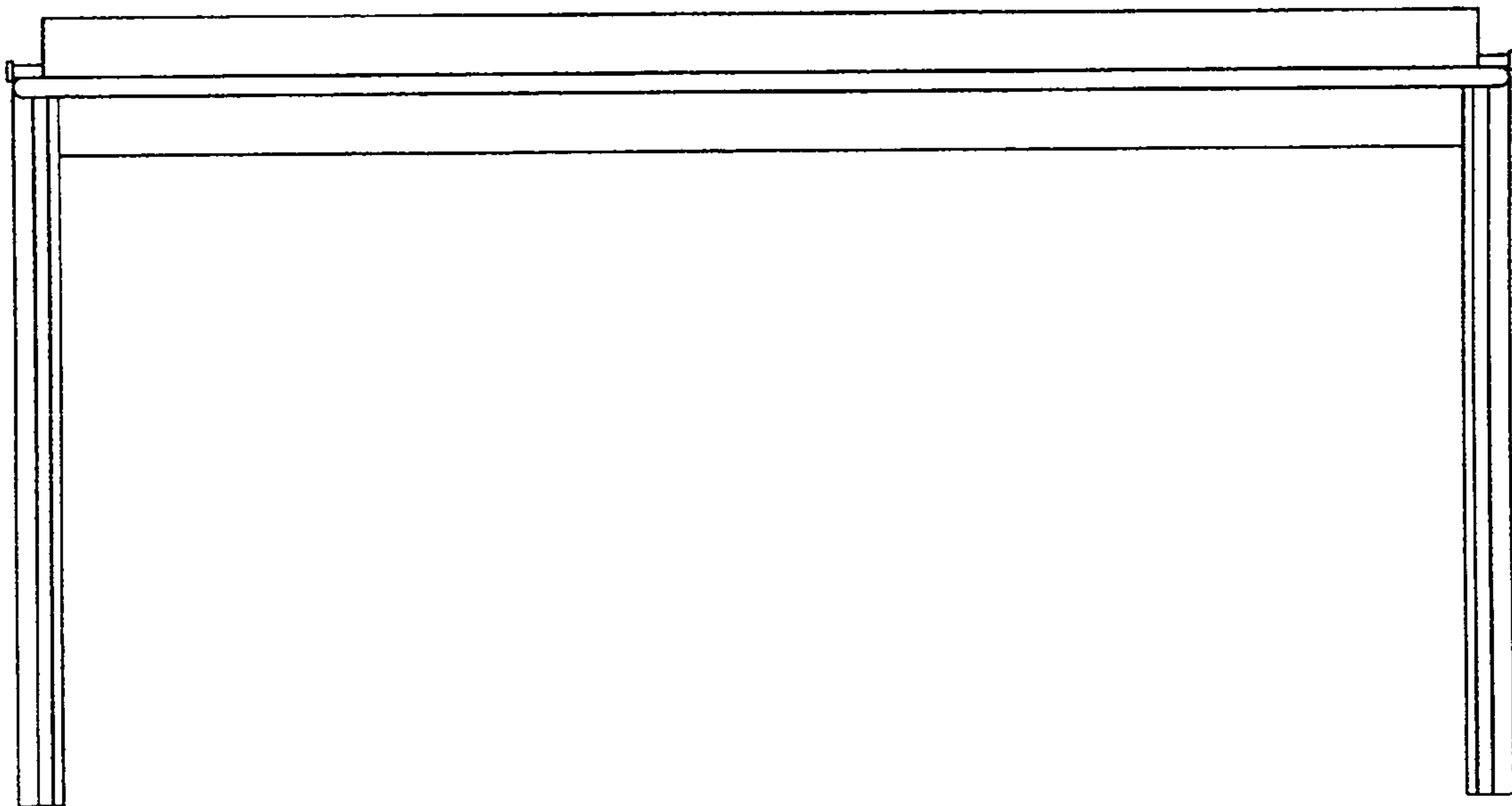


Fig. 1

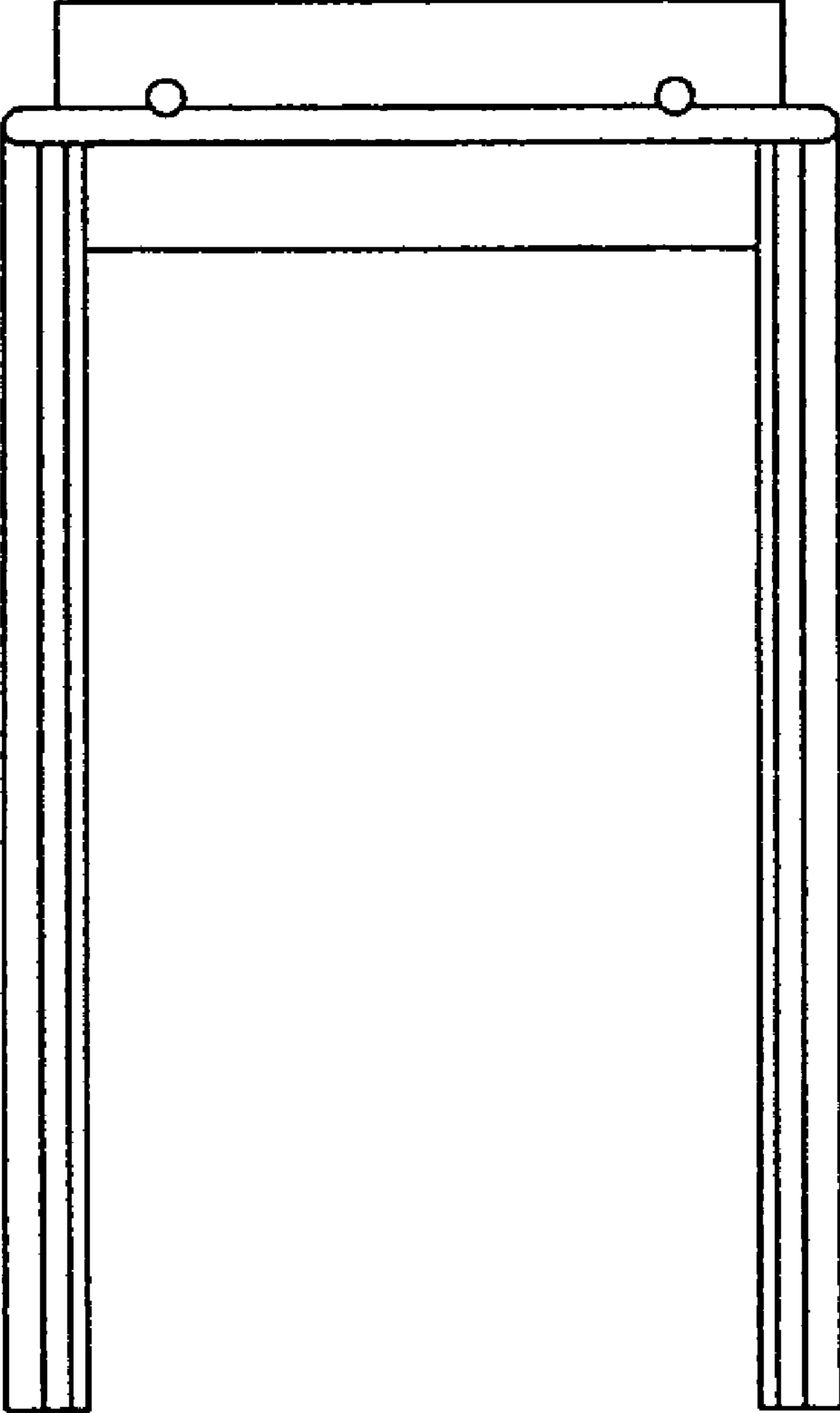


Fig. 2

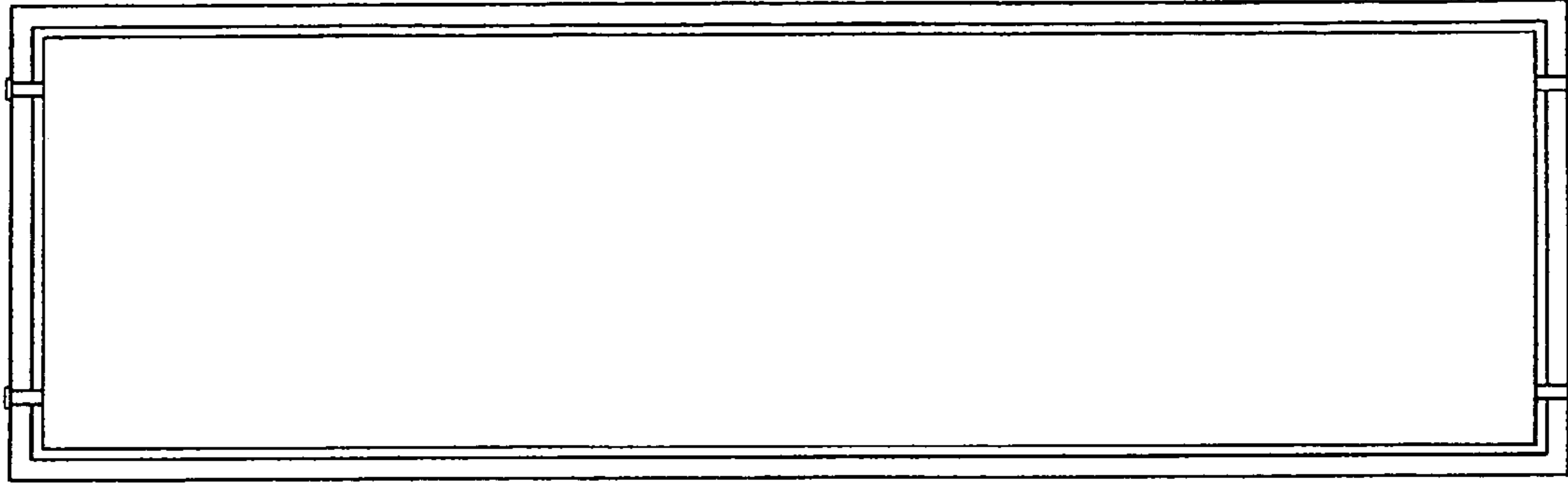


Fig. 3

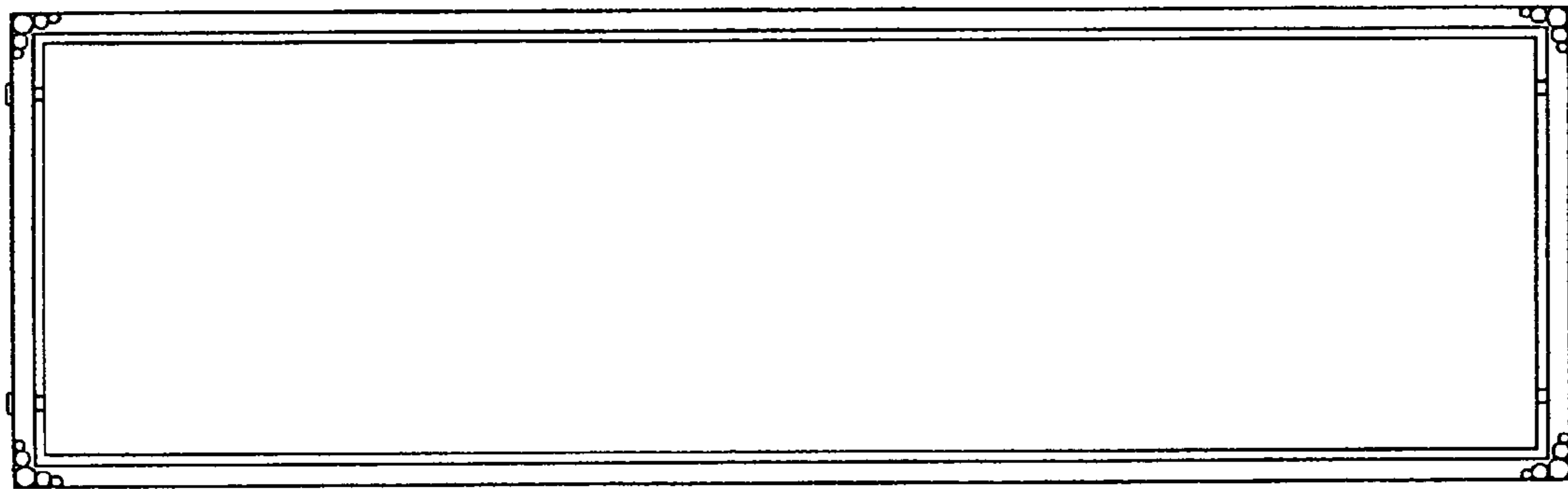


Fig. 4

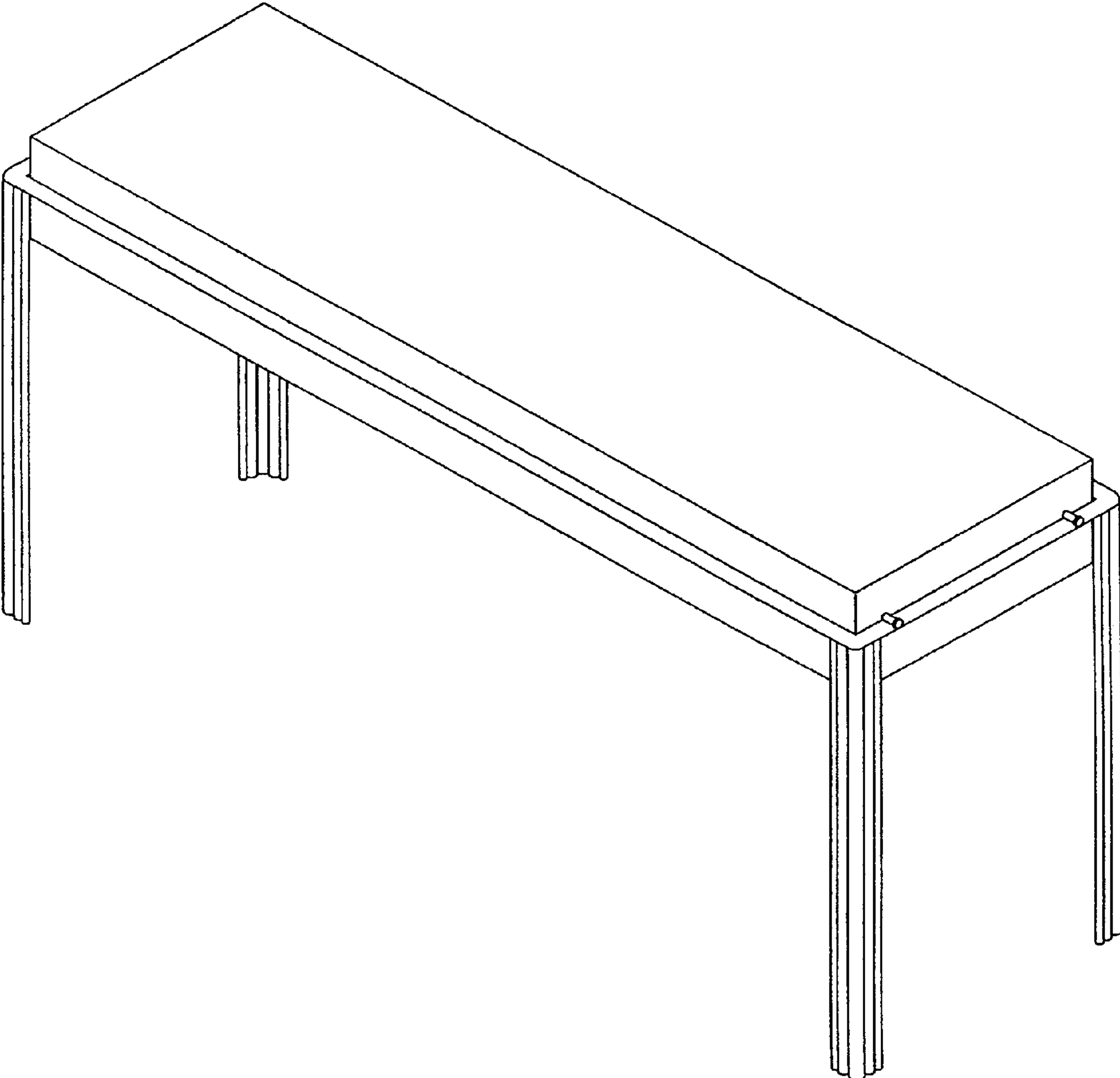


Fig. 5

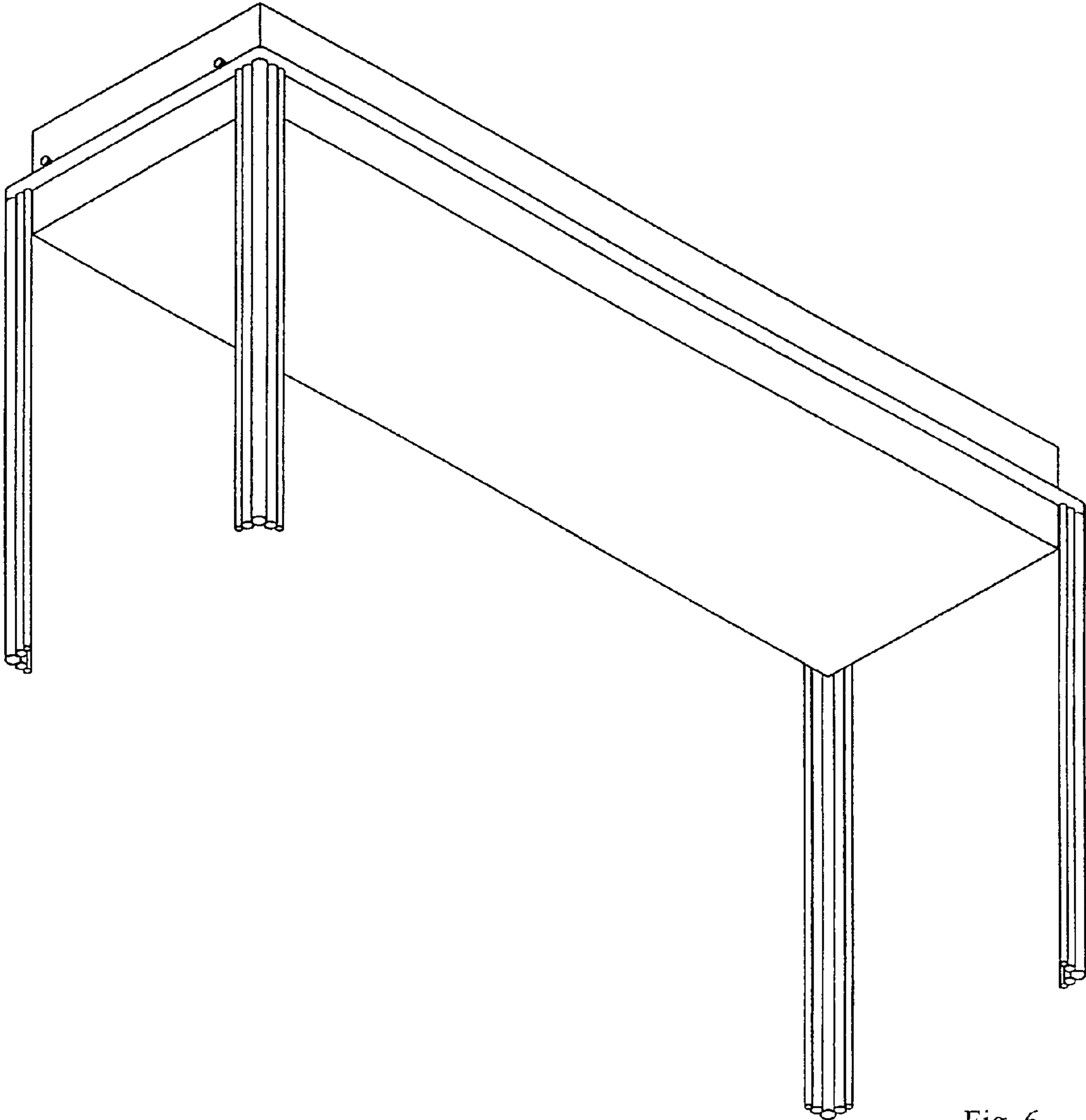


Fig. 6