



US00D555937S

(12) **United States Design Patent**  
**Shaun**

(10) **Patent No.:** **US D555,937 S**

(45) **Date of Patent:** **\*\* Nov. 27, 2007**

(54) **COMMERCIAL BULLETIN BOARD**

(76) Inventor: **Christopher Shaun**, 9524 W. Park  
Village, Tampa, FL (US) 33626

(\*\*) Term: **14 Years**

(21) Appl. No.: **29/229,809**

(22) Filed: **May 12, 2005**

(51) **LOC (8) Cl.** ..... **06-04**

(52) **U.S. Cl.** ..... **D6/470**

(58) **Field of Classification Search** ..... D6/300,  
D6/432, 436, 440, 470, 510, 559; D3/274,  
D3/292; 206/557; 312/101, 102, 111, 114,  
312/204, 242, 244, 245

See application file for complete search history.

(56) **References Cited**

**U.S. PATENT DOCUMENTS**

RE29,462 E	11/1977	Tchakgarian	
D247,728 S *	4/1978	Nichols	D6/559
4,130,957 A	12/1978	Hampton	
4,161,834 A	7/1979	Hendricks, Jr.	
4,164,084 A	8/1979	Crockett	
4,193,648 A *	3/1980	Gargiulo	312/111
4,292,752 A	10/1981	Clark	
4,299,043 A	11/1981	Lathrop et al.	
4,322,905 A	4/1982	Kruse	
D271,168 S *	11/1983	Antonczyk	D6/300
D276,964 S *	1/1985	Boland, II	D6/470
4,604,820 A	8/1986	Edman	
4,625,974 A	12/1986	Andrews	
D291,037 S *	7/1987	Handler et al.	D6/432
4,756,108 A	7/1988	Lackey et al.	
4,763,428 A	8/1988	Fischer	
D299,394 S *	1/1989	Hedstrom	D6/510
4,835,889 A	6/1989	McClymonds	
D308,609 S *	6/1990	Handler et al.	D6/436
5,082,336 A *	1/1992	Munch et al.	312/242
5,088,221 A	2/1992	Bussiere et al.	
D334,308 S *	3/1993	Verina	D3/292
5,189,822 A	3/1993	Schmanski et al.	
5,244,103 A	9/1993	Padgett, II	

5,353,536 A	10/1994	Erber et al.	
D366,796 S *	2/1996	Crowley	D6/559
5,623,778 A	4/1997	Dunn	
5,664,851 A	9/1997	Dunn	
5,682,694 A	11/1997	Hillstrom	
5,737,862 A	4/1998	Cooper et al.	
5,778,582 A	7/1998	Rath	
D408,144 S *	4/1999	Lux	D3/292
D408,657 S *	4/1999	Koch	D6/470
5,983,543 A	11/1999	Hillstrom	

(Continued)

*Primary Examiner*—Mimosa De

(74) *Attorney, Agent, or Firm*—Myers & Kaplan, LLC;  
Sandra M. Drummond

(57) **CLAIM**

The ornamental design for a commercial bulletin board, as shown and described.

**DESCRIPTION**

FIG. 1 is a front view of a commercial bulletin board of the present invention;

FIG. 2 is a rear view of a commercial bulletin board of the present invention;

FIG. 3 is a first side view of a commercial bulletin board of the present invention, in an open state;

FIG. 4 is a second side view of a commercial bulletin board of the present invention, in an open state;

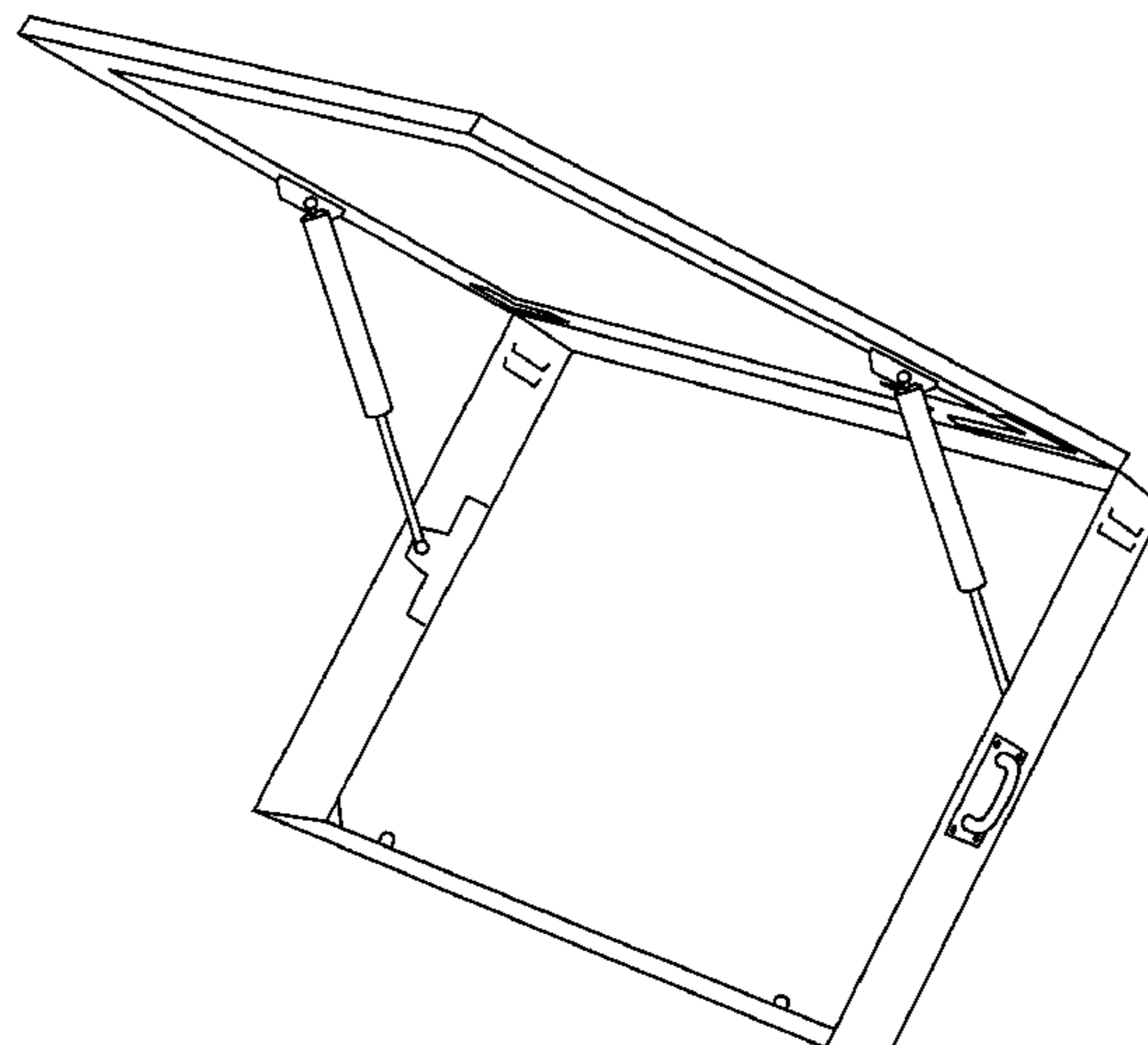
FIG. 5 is a top view of a commercial bulletin board of the present invention;

FIG. 6 is a bottom view of a commercial bulletin board of the present invention; and,

FIG. 7 is a perspective view of a commercial bulletin board of the present invention, in an open state.

The broken lines shown in FIGS. 1, 3 and 4 are for illustrative purposes only and form no part of the claimed design.

**1 Claim, 4 Drawing Sheets**



# US D555,937 S

Page 2

---

## U.S. PATENT DOCUMENTS

D418,347 S *	1/2000	Dragonette .....	D6/559	6,298,591 B1	10/2001	Healy	
D418,348 S *	1/2000	Thibadeau .....	D6/559	6,308,446 B1	10/2001	Healy	
6,012,786 A	1/2000	Dunn		6,438,880 B2	8/2002	Dundorf	
D419,769 S *	2/2000	Germano .....	D3/274	6,675,514 B1	1/2004	Salimes et al.	
D426,996 S *	6/2000	Kourembanas .....	D6/559	6,685,283 B2 *	2/2004	Gembar et al. ....	312/114
6,119,384 A	9/2000	Fischer		6,718,671 B1	4/2004	Cluff	
6,148,556 A	11/2000	Seki		2002/0139026 A1	10/2002	Pitcher et al.	
6,178,679 B1	1/2001	Dundorf		2003/0214202 A1 *	11/2003	Gembar et al. ....	312/114
6,216,376 B1	4/2001	Alvern		2004/0163294 A1	8/2004	Hsu	
6,298,589 B1	10/2001	Hillstrom					

\* cited by examiner

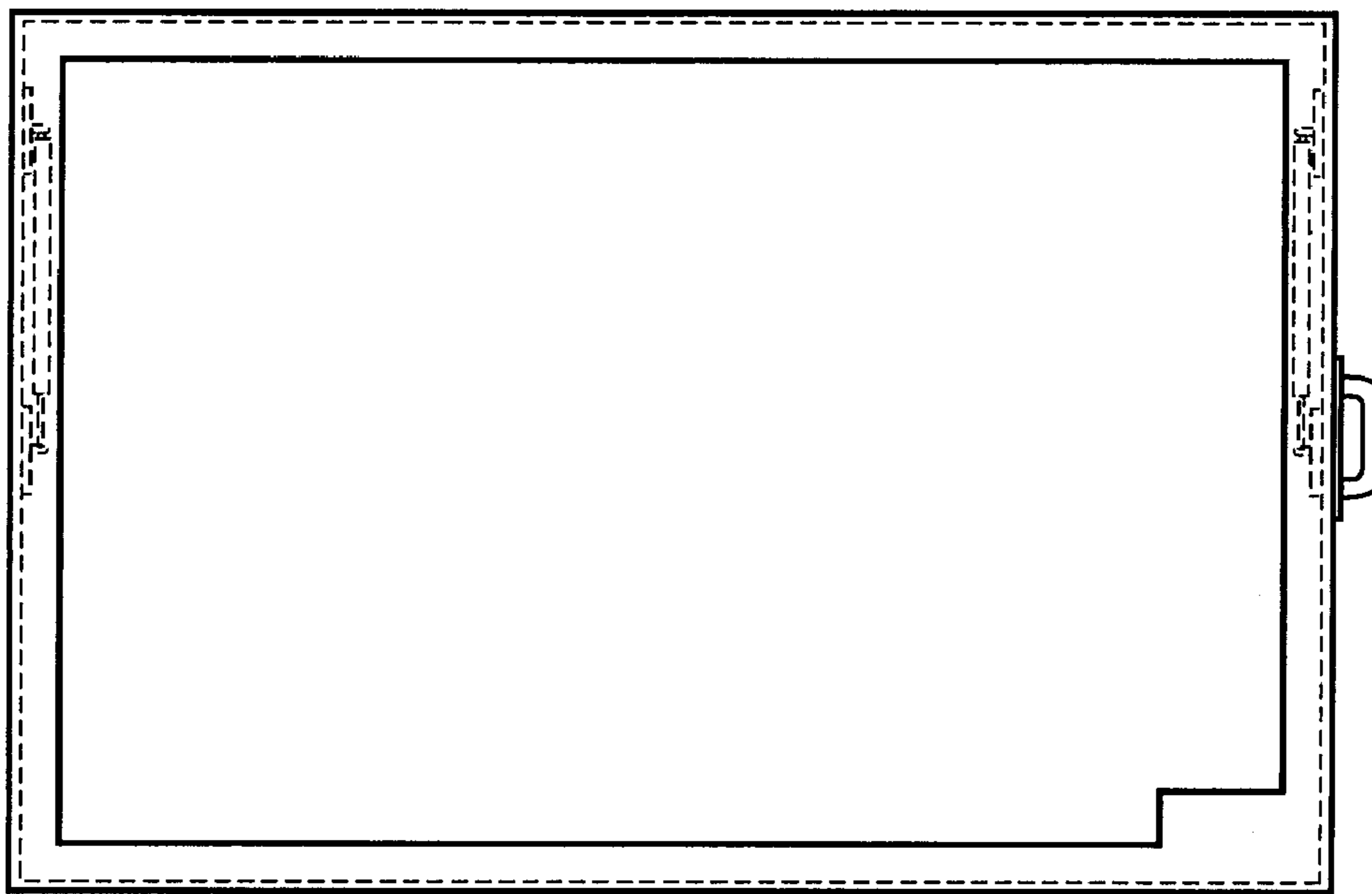


FIG. 1

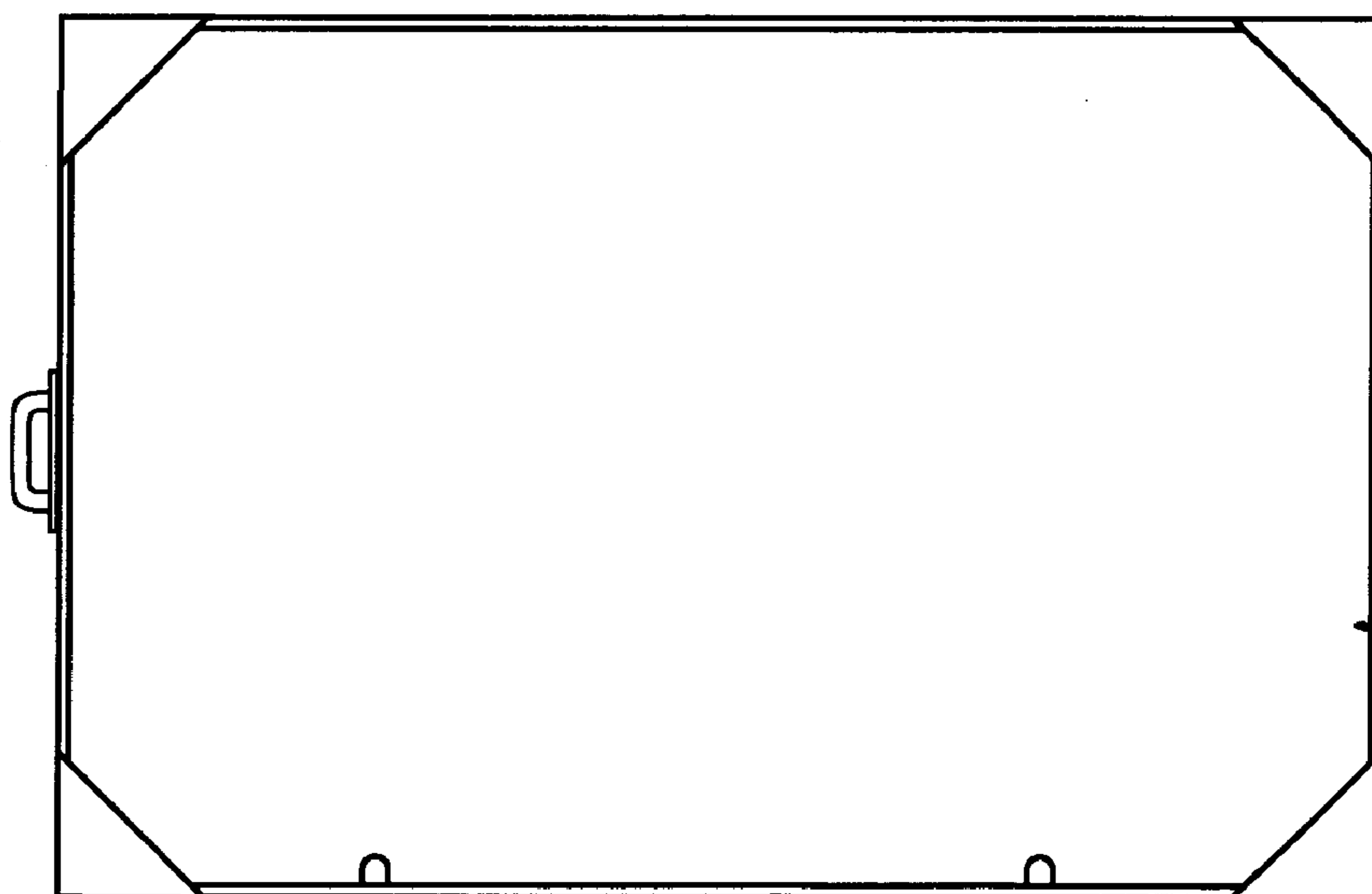


FIG. 2

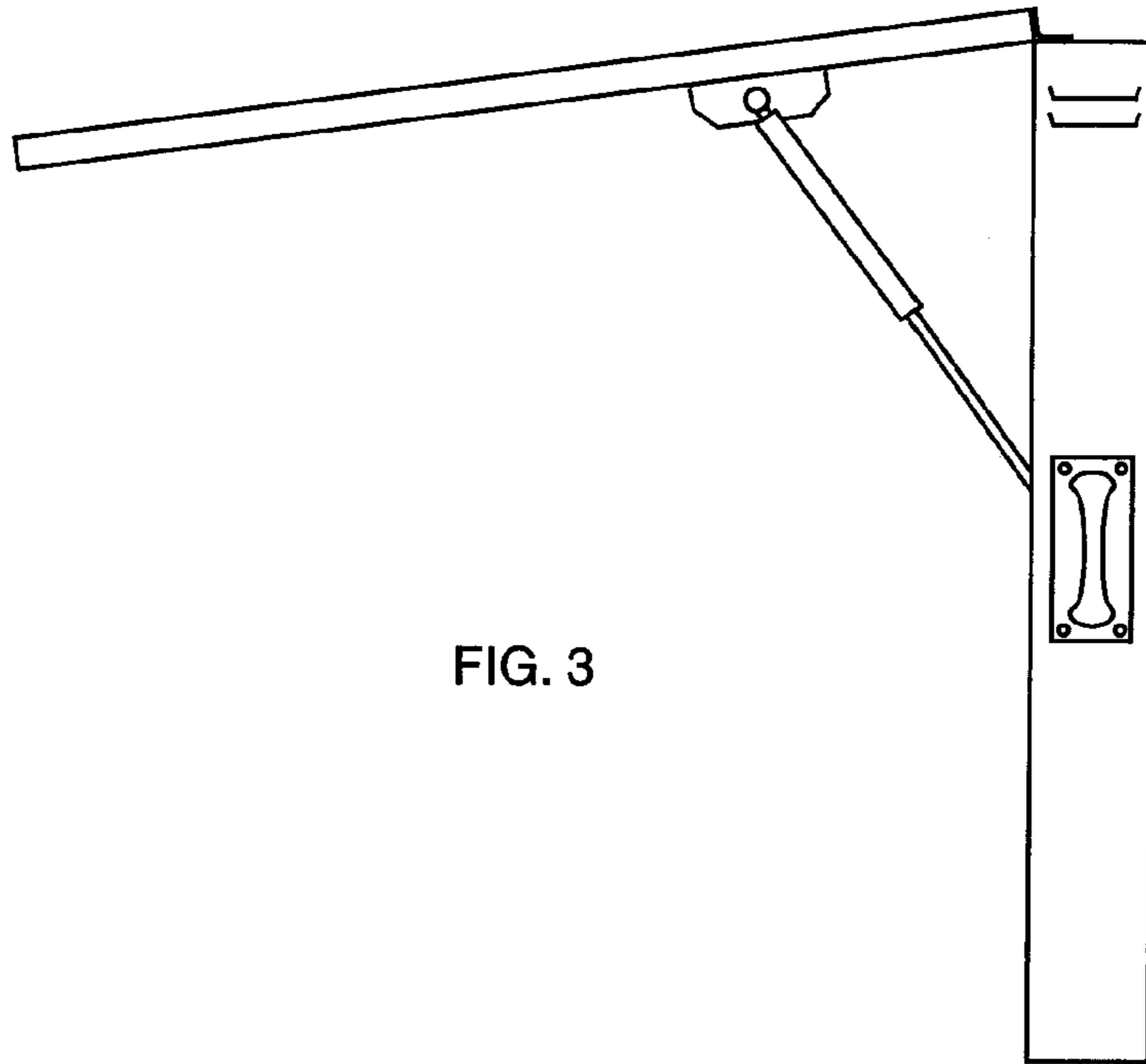


FIG. 3

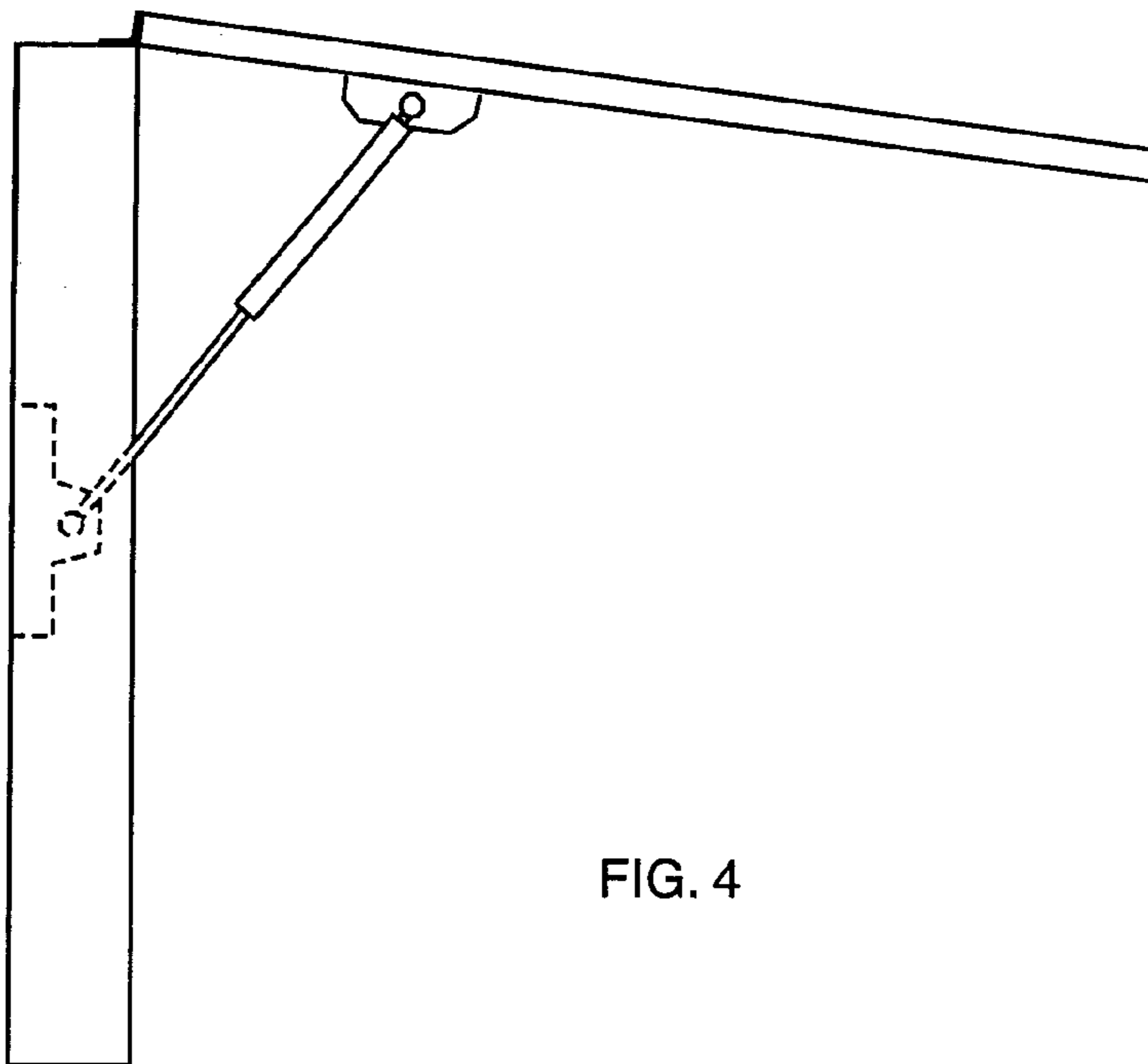


FIG. 4

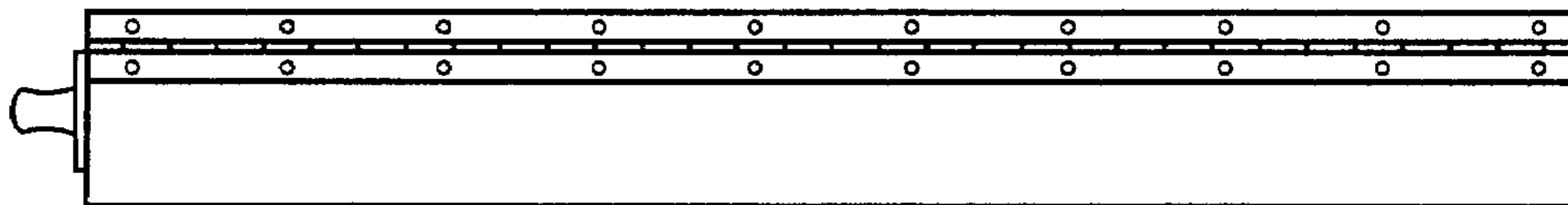


FIG. 5

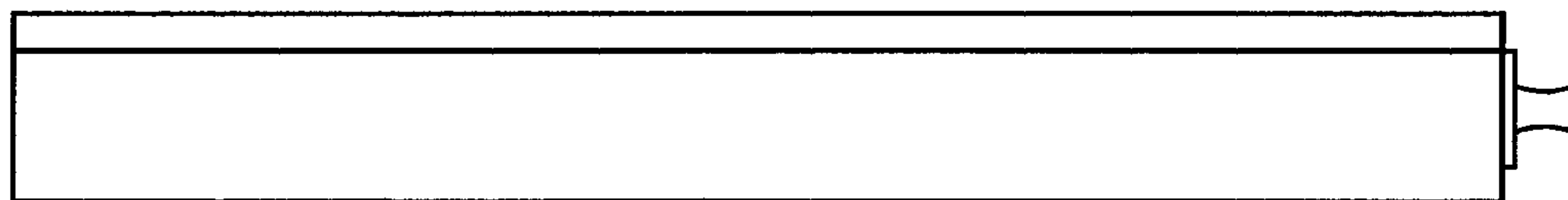


FIG. 6

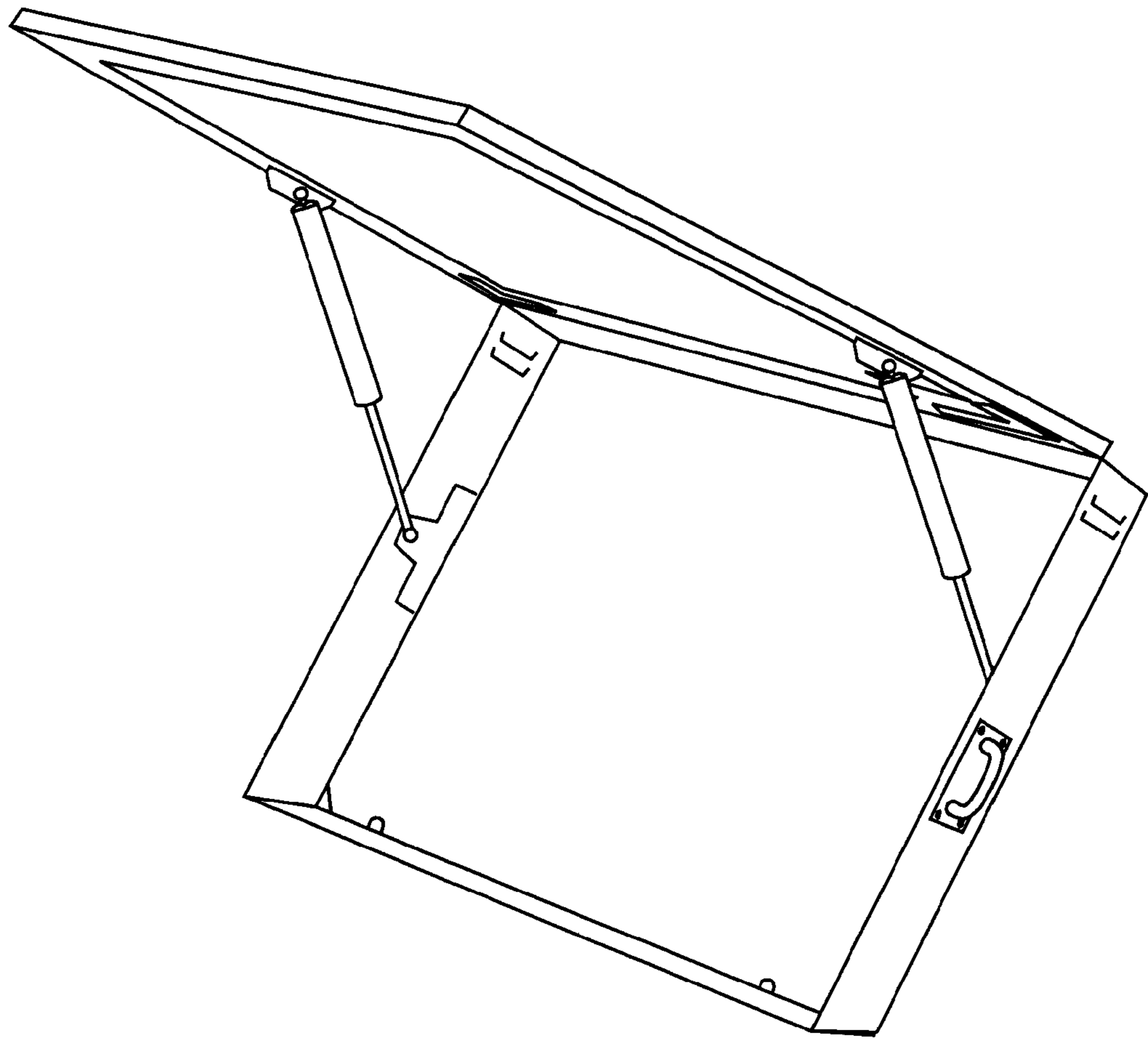


FIG. 7