



US00D555933S

(12) **United States Design Patent**
Fallander

(10) **Patent No.:** **US D555,933 S**

(45) **Date of Patent:** **** Nov. 27, 2007**

(54) **CD WALL TILE**

(76) **Inventor:** **Dean Fallander**, 21941 Anasazi Way,
Golden, CO (US) 80401

(**) **Term:** **14 Years**

(21) **Appl. No.:** **29/227,729**

(22) **Filed:** **Apr. 14, 2005**

(51) **LOC (8) Cl.** **06-04**

(52) **U.S. Cl.** **D6/407**

(58) **Field of Classification Search** D6/571,
D6/569, 563, 407; 40/124.2; 211/13.1, 40,
211/41.12; 248/305.2, 309.1; 206/308.1,
206/309, 445

See application file for complete search history.

(56) **References Cited**

U.S. PATENT DOCUMENTS

4,951,826	A *	8/1990	Tompkins	211/40
5,040,687	A	8/1991	Whittington		
5,232,089	A	8/1993	Kim		
5,341,942	A	8/1994	James, Jr.		
5,351,835	A	10/1994	Hallgren		
D353,736	S *	12/1994	Wenkman	D6/407
5,372,263	A	12/1994	Niekel		
5,456,368	A	10/1995	Zehnder		
5,518,125	A	5/1996	Colosimo		

5,769,244	A *	6/1998	Wyatt	211/40
5,996,815	A *	12/1999	Walters et al.	211/40
6,116,432	A	9/2000	Rohner		
D451,660	S *	12/2001	Segerstrom et al.	D6/630
6,446,799	B1	9/2002	Simba		
6,874,645	B2 *	4/2005	Broderick	211/40

* cited by examiner

Primary Examiner—Brian N Vinson

(74) *Attorney, Agent, or Firm*—Muskin & Cusick LLC

(57) **CLAIM**

The ornamental design for a CD wall tile, as shown and described.

DESCRIPTION

FIG. 1 is an isometric perspective view of the CD wall tile of the present invention.

FIG. 2 is a front view of the CD wall tile of the present invention.

FIG. 3 is back view of the CD wall tile of the present invention.

FIG. 4 is a top view of the CD wall tile of the present invention; and,

FIG. 5 is a side view of the CD wall tile of the present invention.

1 Claim, 5 Drawing Sheets

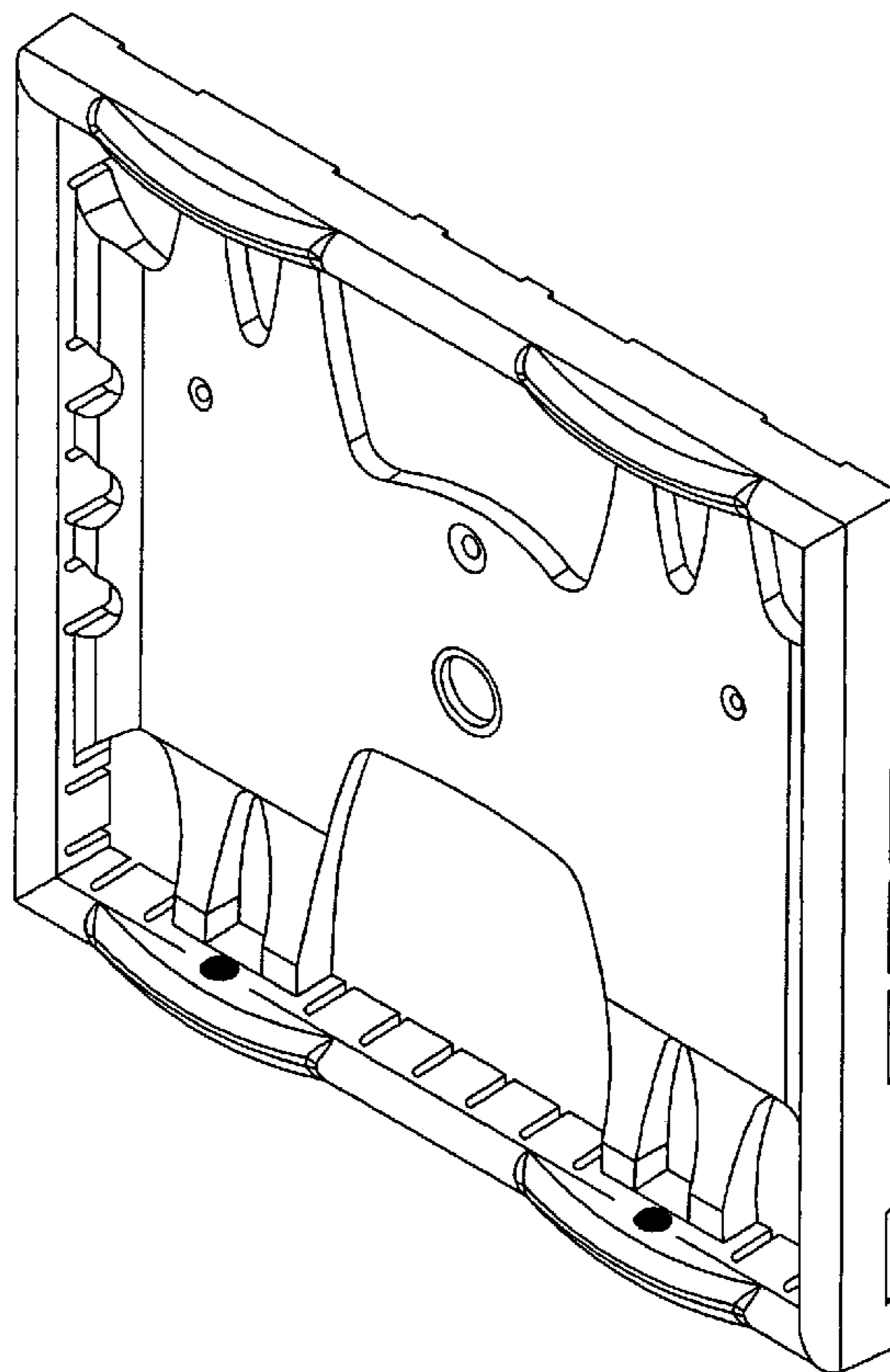


Figure 1

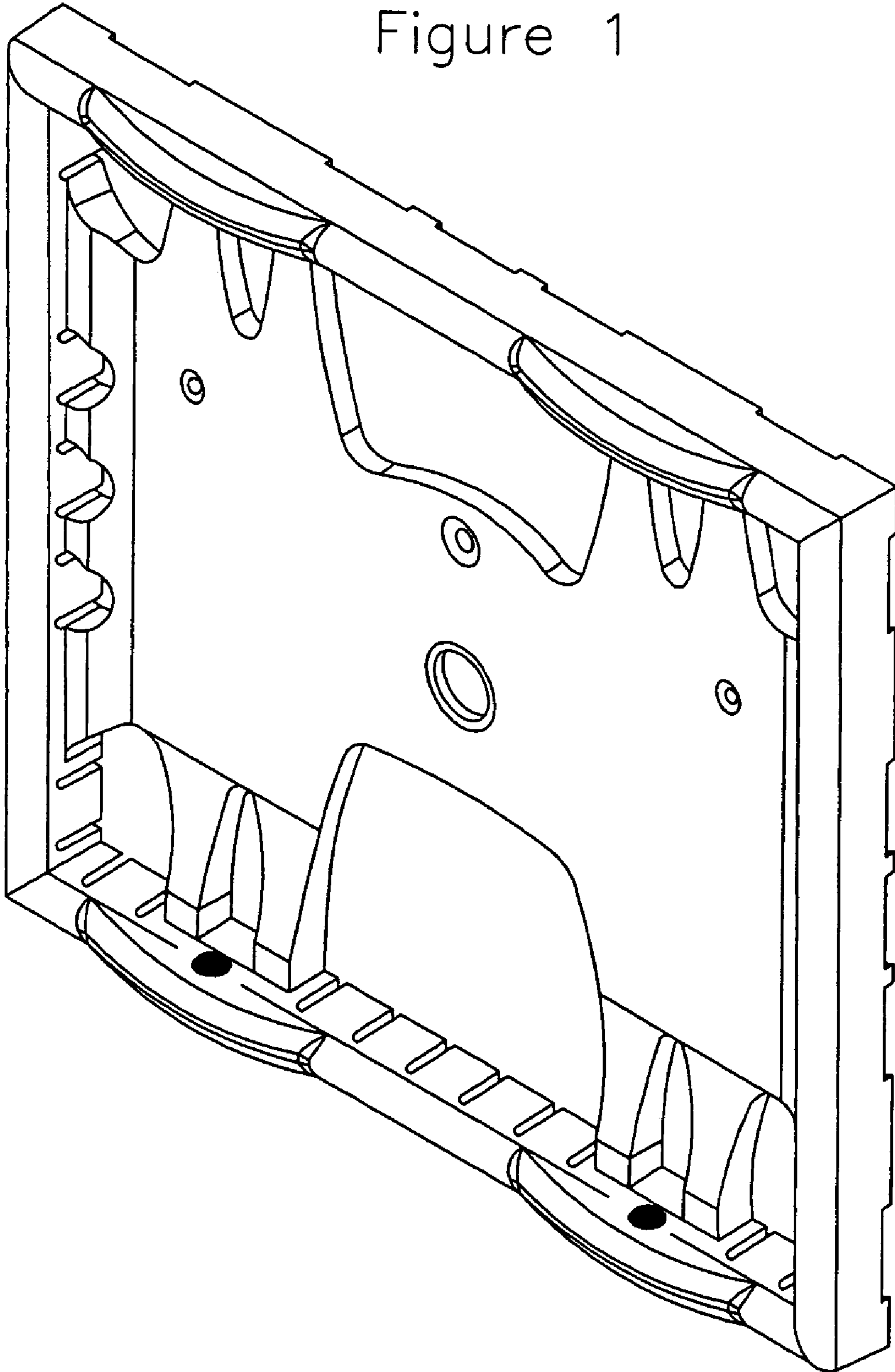


Figure 2

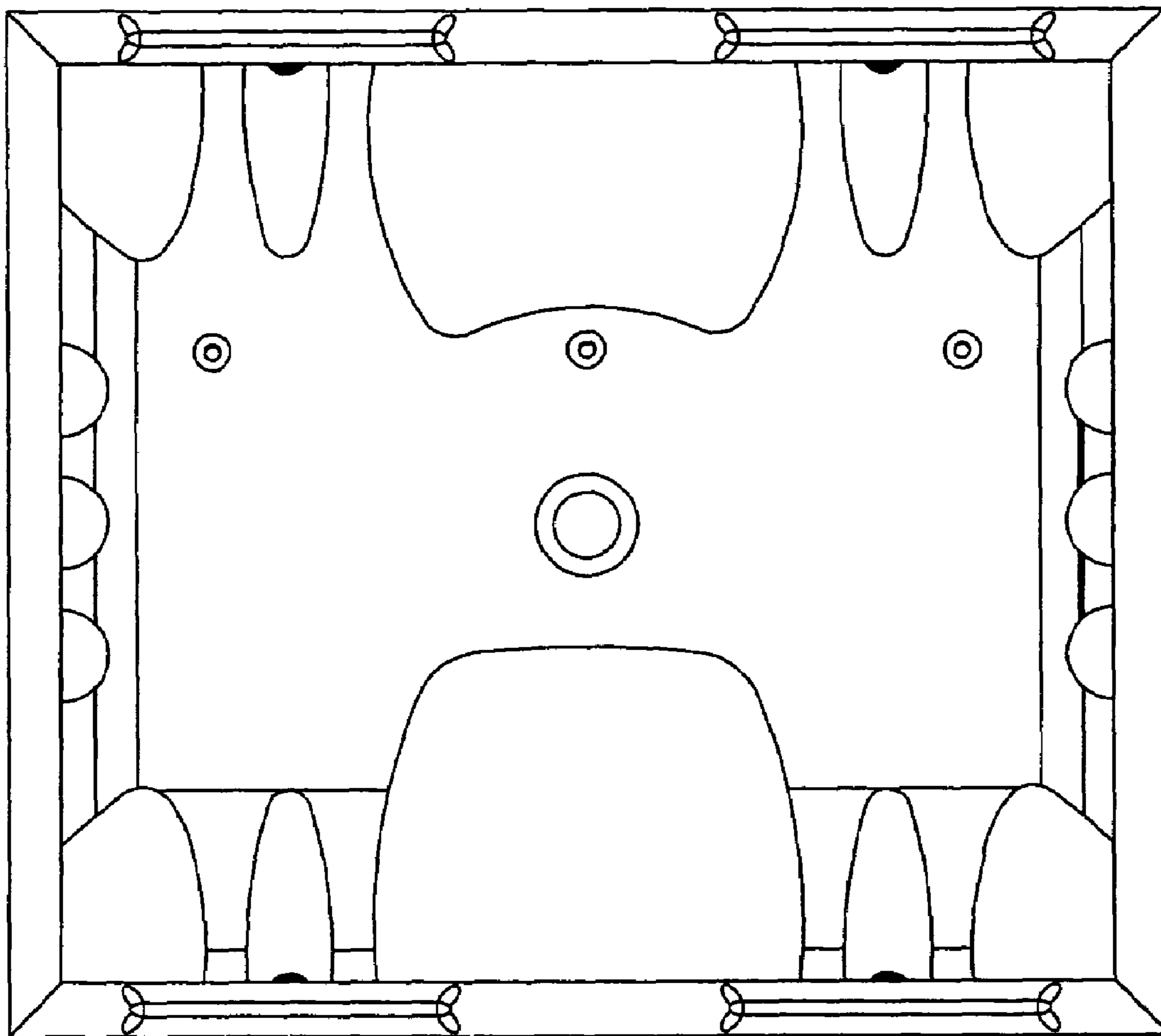


Figure 3

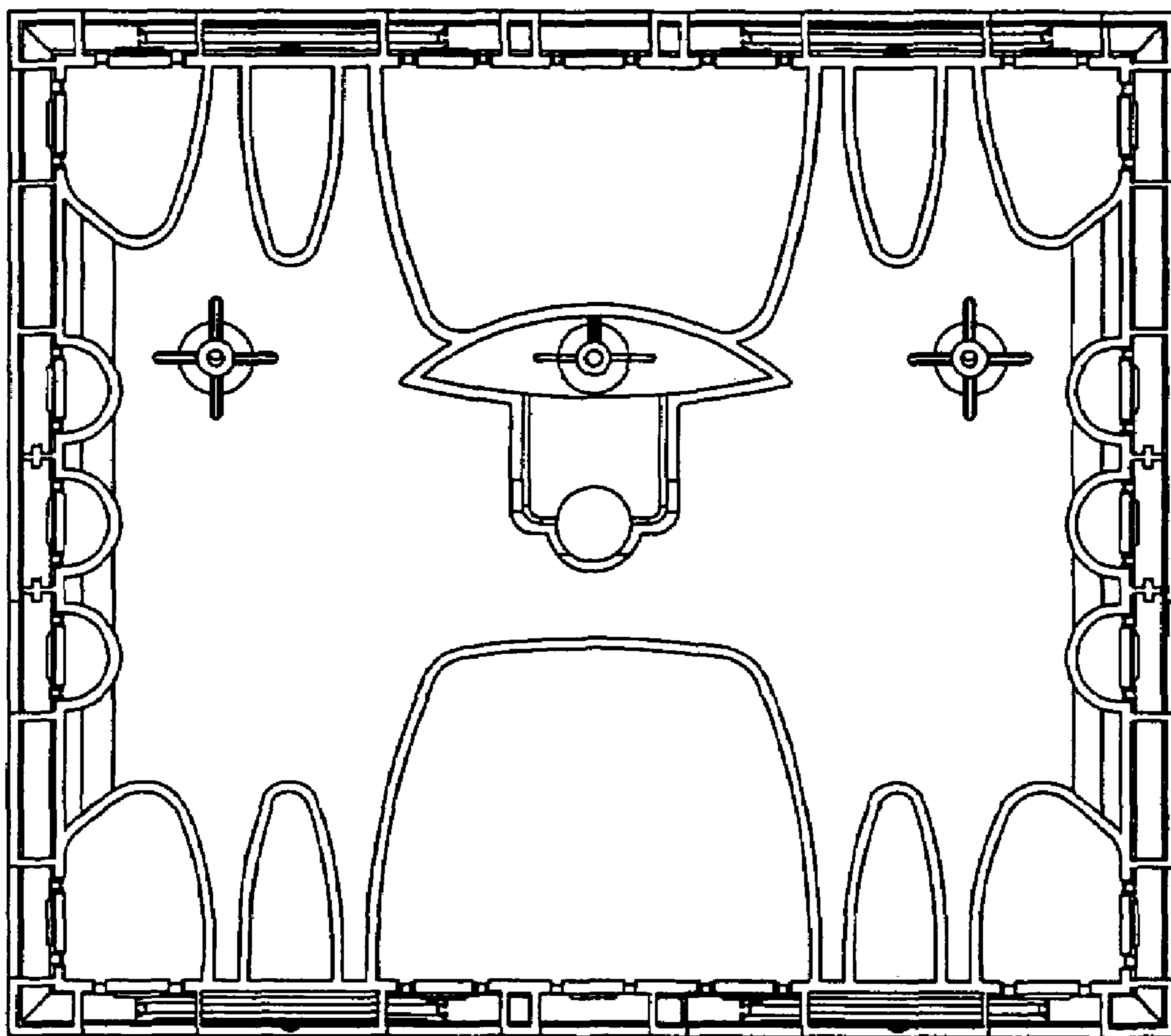


Figure 4

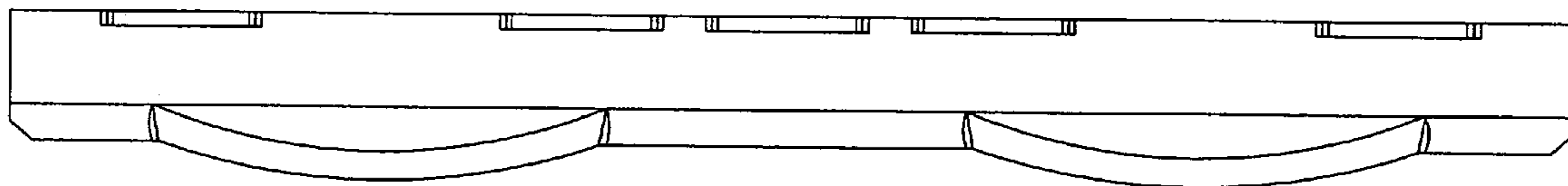


Figure 5

