



US00D555930S

(12) **United States Design Patent**
Borgonovo

(10) **Patent No.:** **US D555,930 S**

(45) **Date of Patent:** **** Nov. 27, 2007**

(54) **DIVAN**

D514,349 S * 2/2006 Natuzzi D6/381
D542,478 S * 5/2007 Andriola D30/118

(75) Inventor: **Giuseppe Borgonovo**, Mariano Comense (IT)

* cited by examiner

(73) Assignee: **Flou S.p.A.**, Meda (MI) (IT)

Primary Examiner—Sandra Snapp

(**) Term: **14 Years**

(74) *Attorney, Agent, or Firm*—Mintz, Levin, Cohn, Ferris, Glovsky and Popeo, P.C.; David F. Crosby

(21) Appl. No.: **29/249,303**

(57) **CLAIM**

(22) Filed: **Sep. 29, 2006**

I claim the ornamental design for divan, as shown and described.

(30) **Foreign Application Priority Data**

Apr. 3, 2006 (EM) 000506589

DESCRIPTION

(51) **LOC (8) Cl.** **06-01**

FIG. 1 is a perspective view of a divan;

(52) **U.S. Cl.** **D6/381**

FIG. 2 is a right side view of a divan;

(58) **Field of Classification Search** D6/334–337,
D6/346, 377, 381, 500–502; 297/232, 445.1;
5/12.1, 12.2

FIG. 3 is a left side view of a divan;

FIG. 4 is a top view of a divan;

See application file for complete search history.

FIG. 5 is a bottom view of a divan;

FIG. 6 is a front view of a divan; and,

FIG. 7 is a back view of a divan.

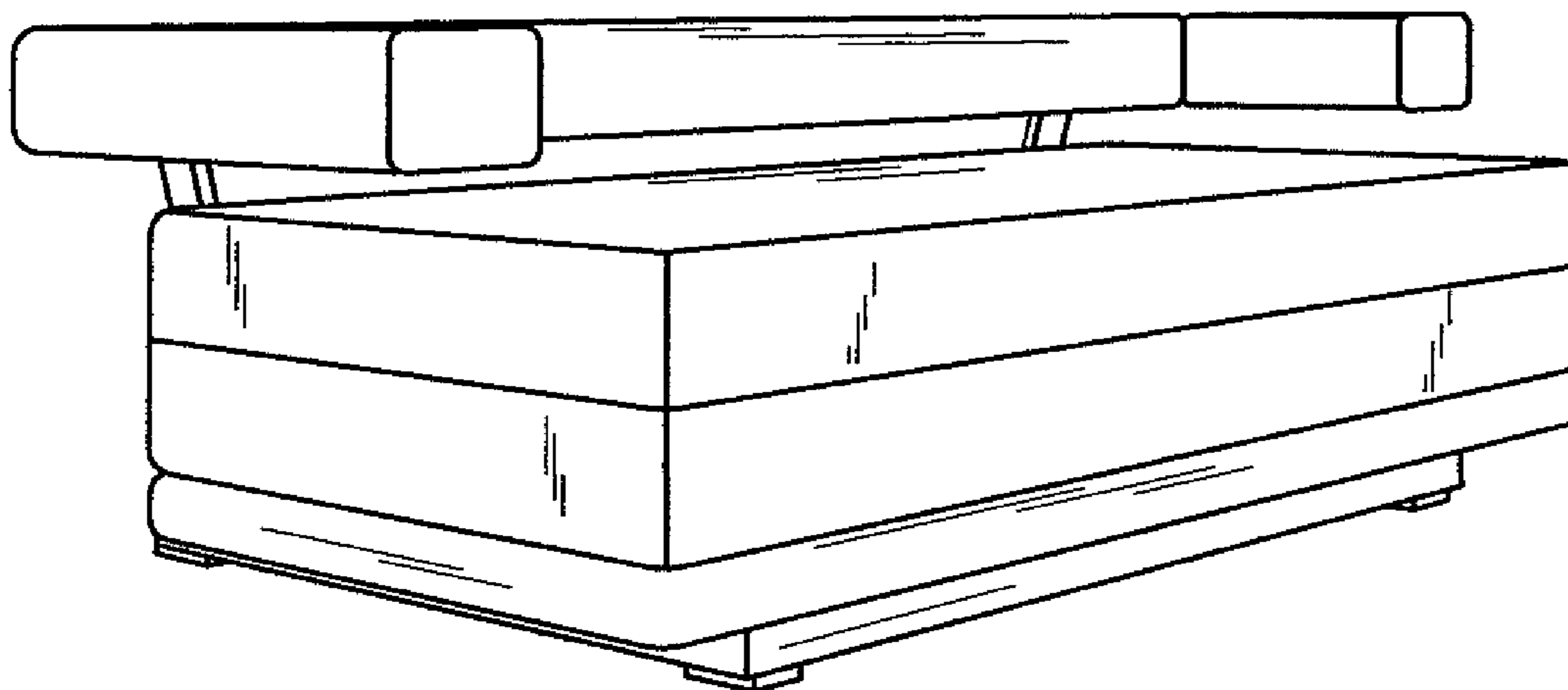
(56) **References Cited**

Any broken line illustration in the drawings are not part of the design sought to be patented.

U.S. PATENT DOCUMENTS

4,437,704 A * 3/1984 Hovsepian 297/440.17
D446,039 S * 8/2001 Gomez D6/381
D504,034 S * 4/2005 Higgs et al. D6/381

1 Claim, 2 Drawing Sheets



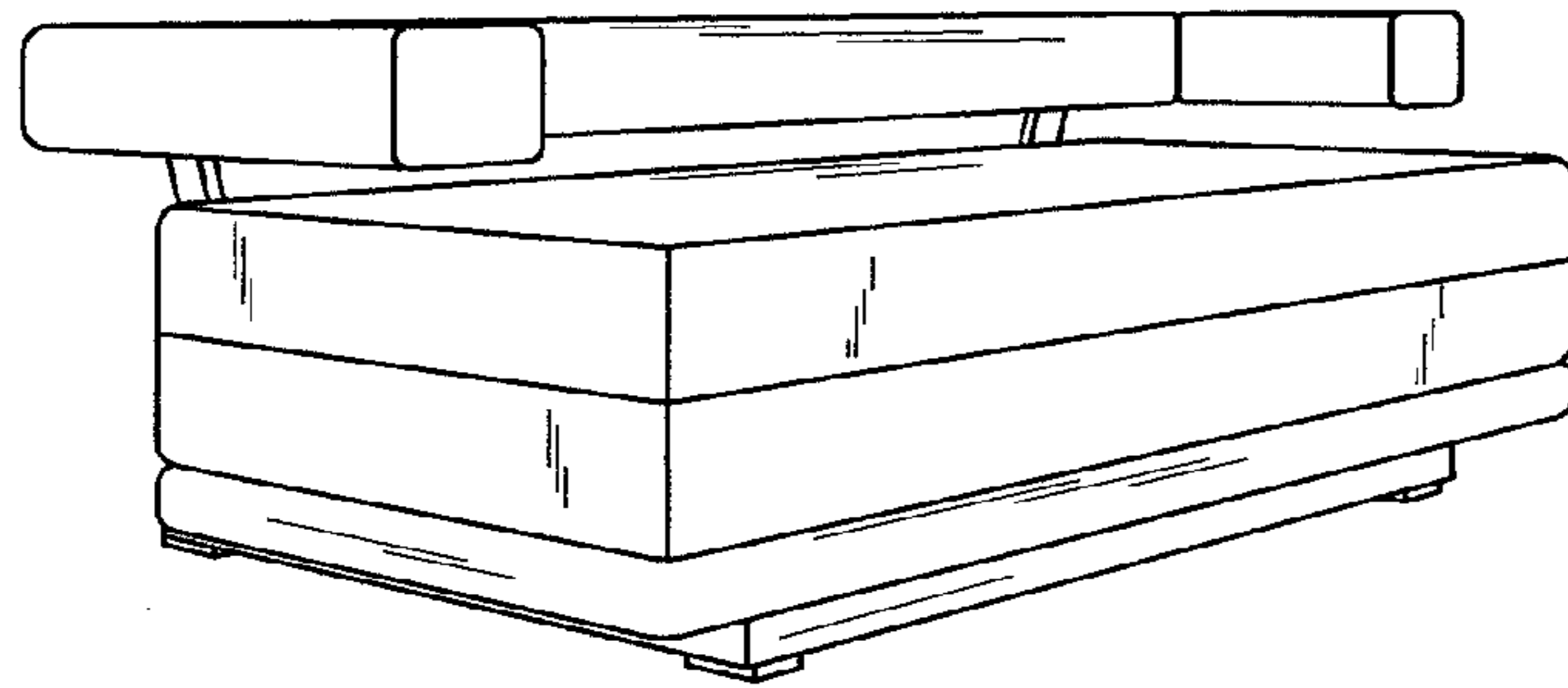


Fig. 1

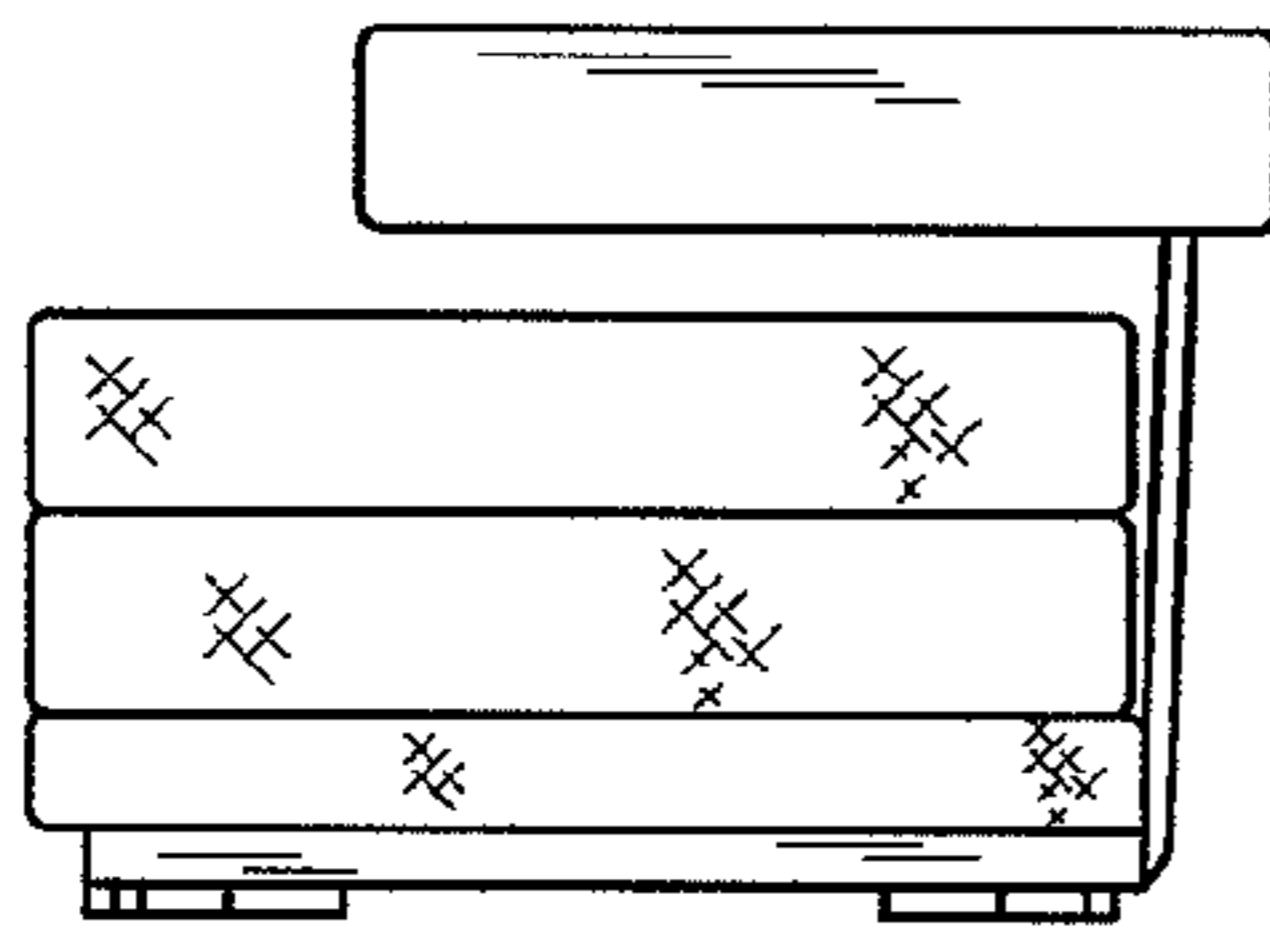


Fig. 2

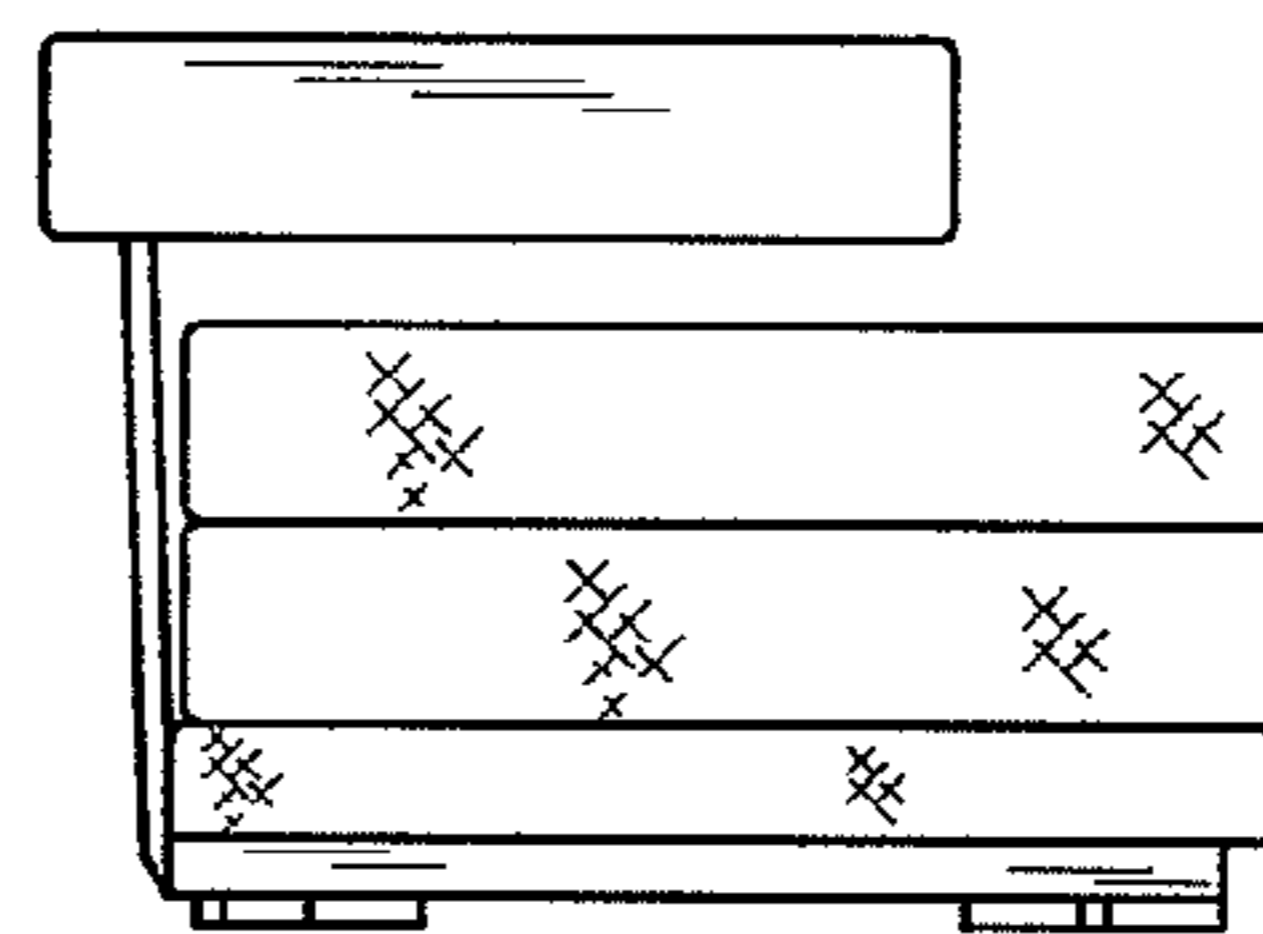


Fig. 3

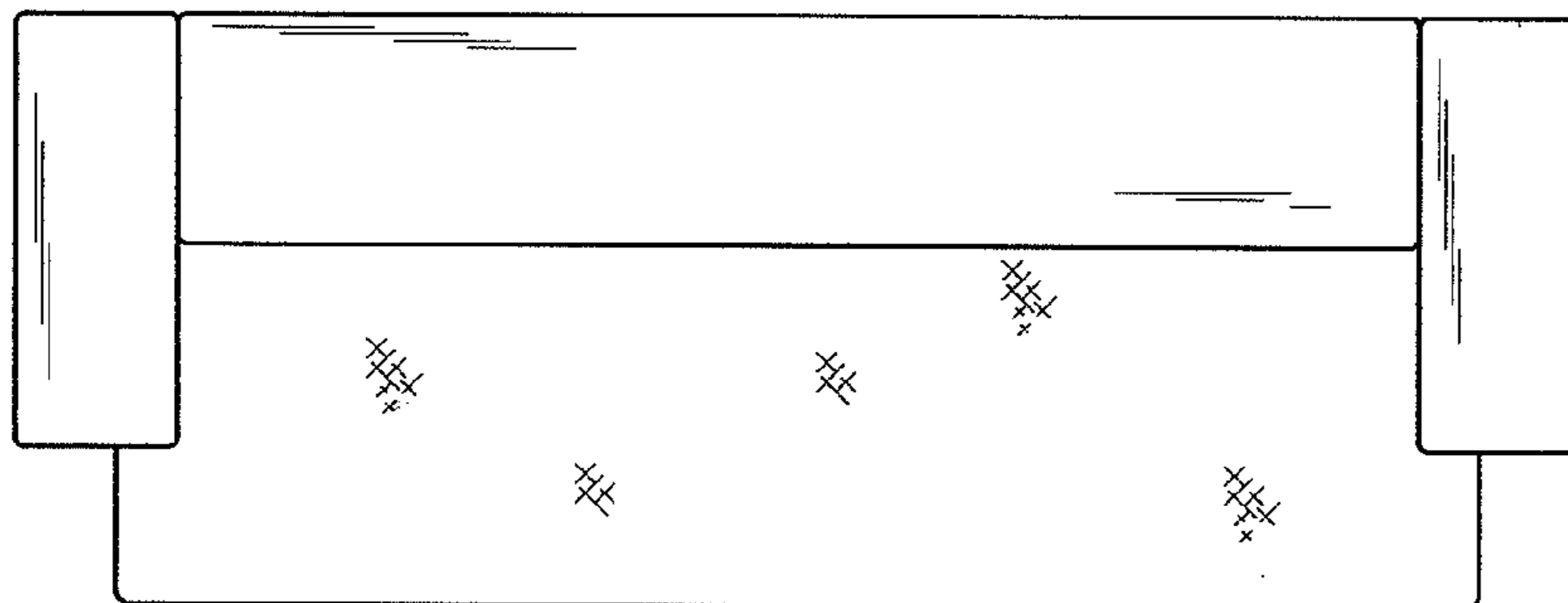


Fig. 4

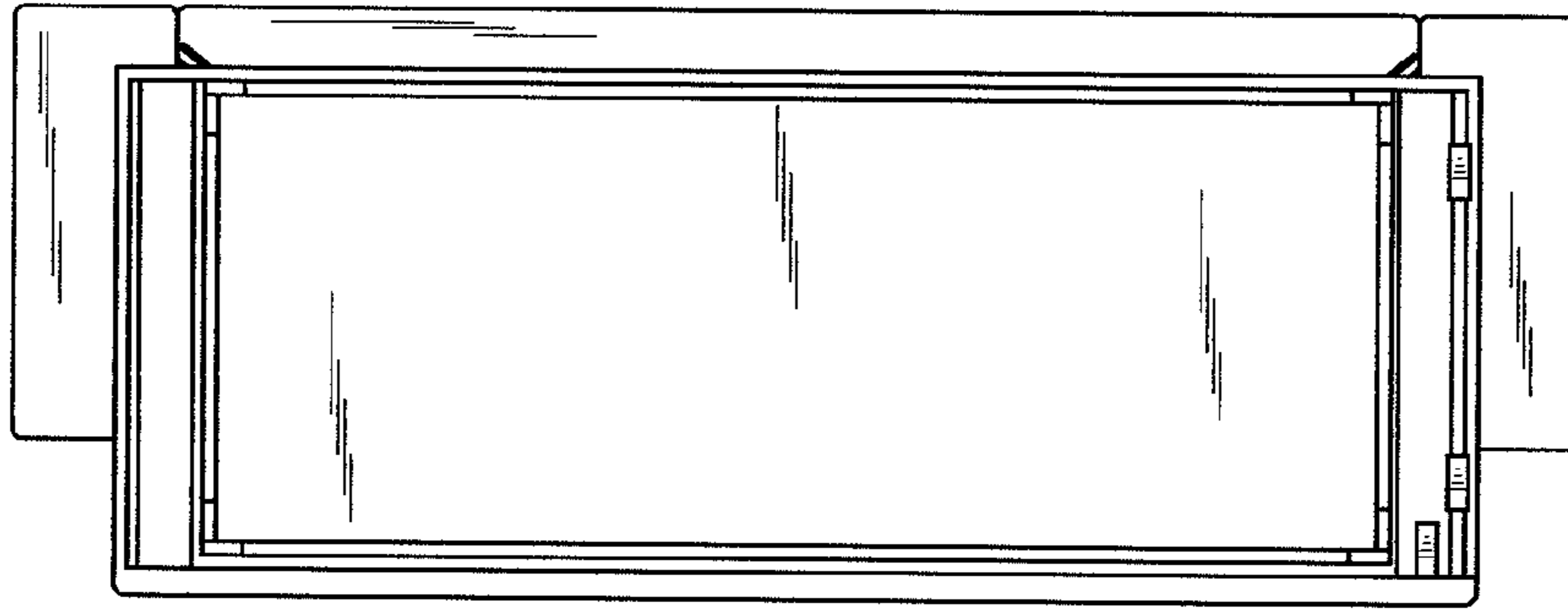


Fig.5

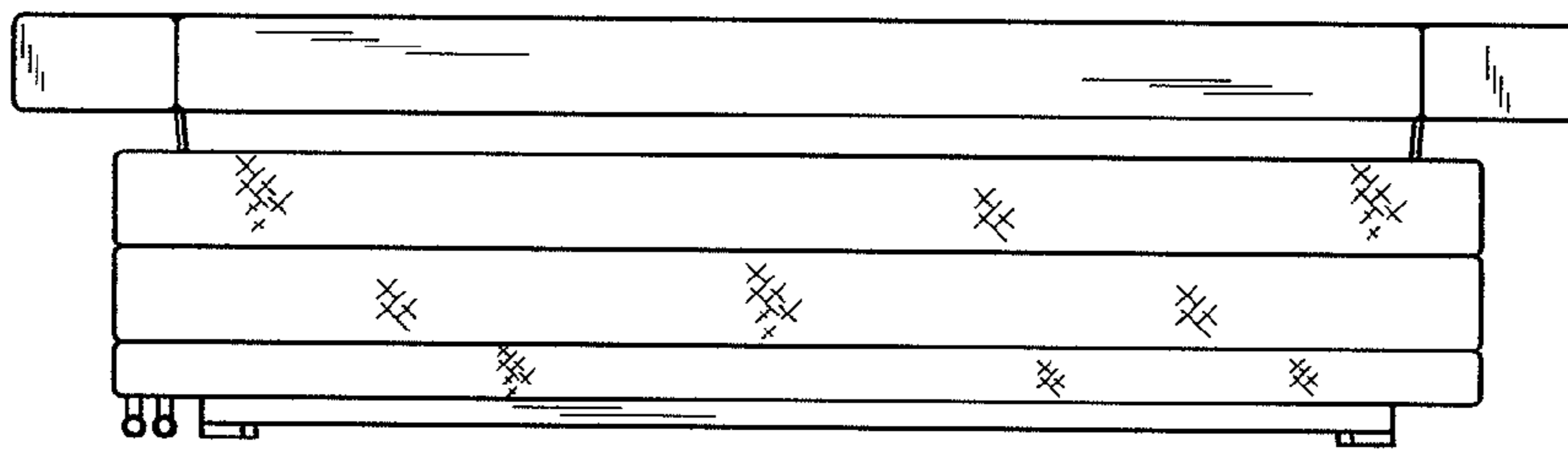


Fig.6

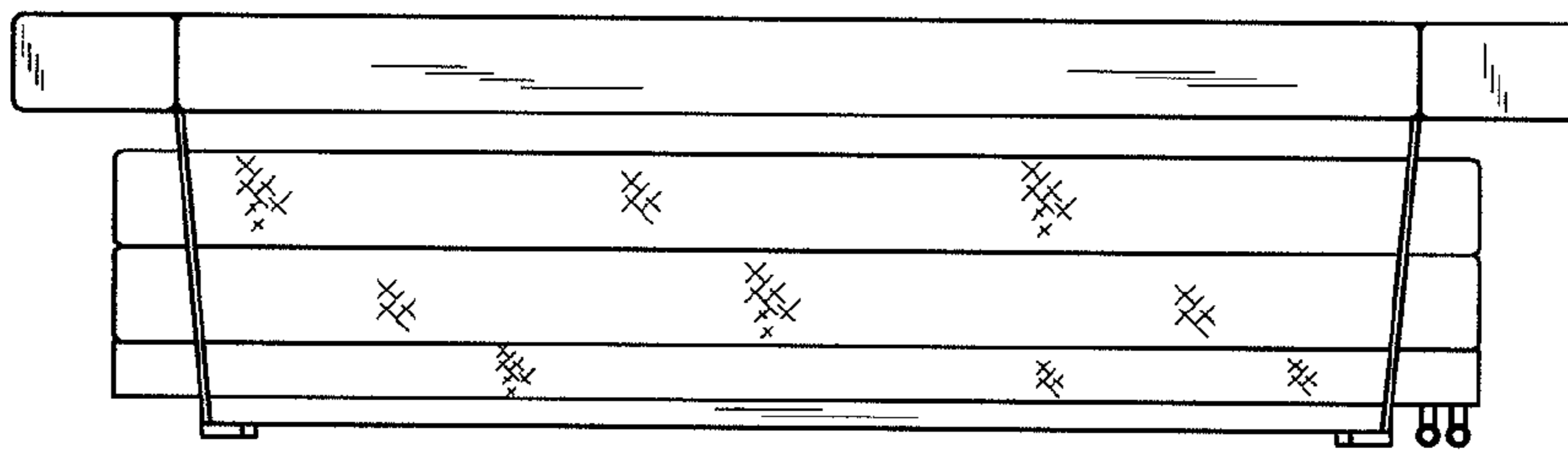


Fig.7