



US00D555925S

(12) **United States Design Patent**  
**Mercs**

(10) **Patent No.:** **US D555,925 S**

(45) **Date of Patent:** **\*\* Nov. 27, 2007**

(54) **COLLAPSIBLE CHAIR**

D356,216 S \* 3/1995 Greene ..... D6/353  
D362,127 S \* 9/1995 Chen ..... D6/368  
D456,162 S \* 4/2002 Peters ..... D6/368

(76) Inventor: **Janis Mercs**, Bezdeligu Iela 12, Riga  
(LV) LV-1007

\* cited by examiner

(\*\*) Term: **14 Years**

*Primary Examiner*—Mimosa De

(21) Appl. No.: **29/254,781**

(74) *Attorney, Agent, or Firm*—Katten Muchin Rosenman  
LLP

(22) Filed: **Mar. 1, 2006**

(57) **CLAIM**

(51) **LOC (8) Cl.** ..... **06-01**

The ornamental design for a collapsible chair, as shown and described.

(52) **U.S. Cl.** ..... **D6/368**

(58) **Field of Classification Search** ..... D6/334–336,  
D6/353, 363, 371–373, 374, 375, 500–502;  
108/162; 248/174; 297/331, 440.1, 440.12  
See application file for complete search history.

**DESCRIPTION**

(56) **References Cited**

U.S. PATENT DOCUMENTS

2,546,811 A \* 3/1951 Anderson ..... 297/331  
3,556,593 A \* 1/1971 Speegle ..... 297/440.12  
4,556,253 A \* 12/1985 Geneve et al. .... 297/440.12  
4,648,658 A \* 3/1987 Calco ..... 297/440.12  
D300,187 S \* 3/1989 Suman ..... D6/368  
D330,640 S \* 11/1992 Yoshimura ..... D6/368  
D352,182 S \* 11/1994 Yoshimura ..... D6/368  
D352,837 S \* 11/1994 Pugh ..... D6/336

FIG. 1 is a perspective view of the chair of the present invention looking toward the front.

FIG. 2 is a left side view of the chair of the present invention.

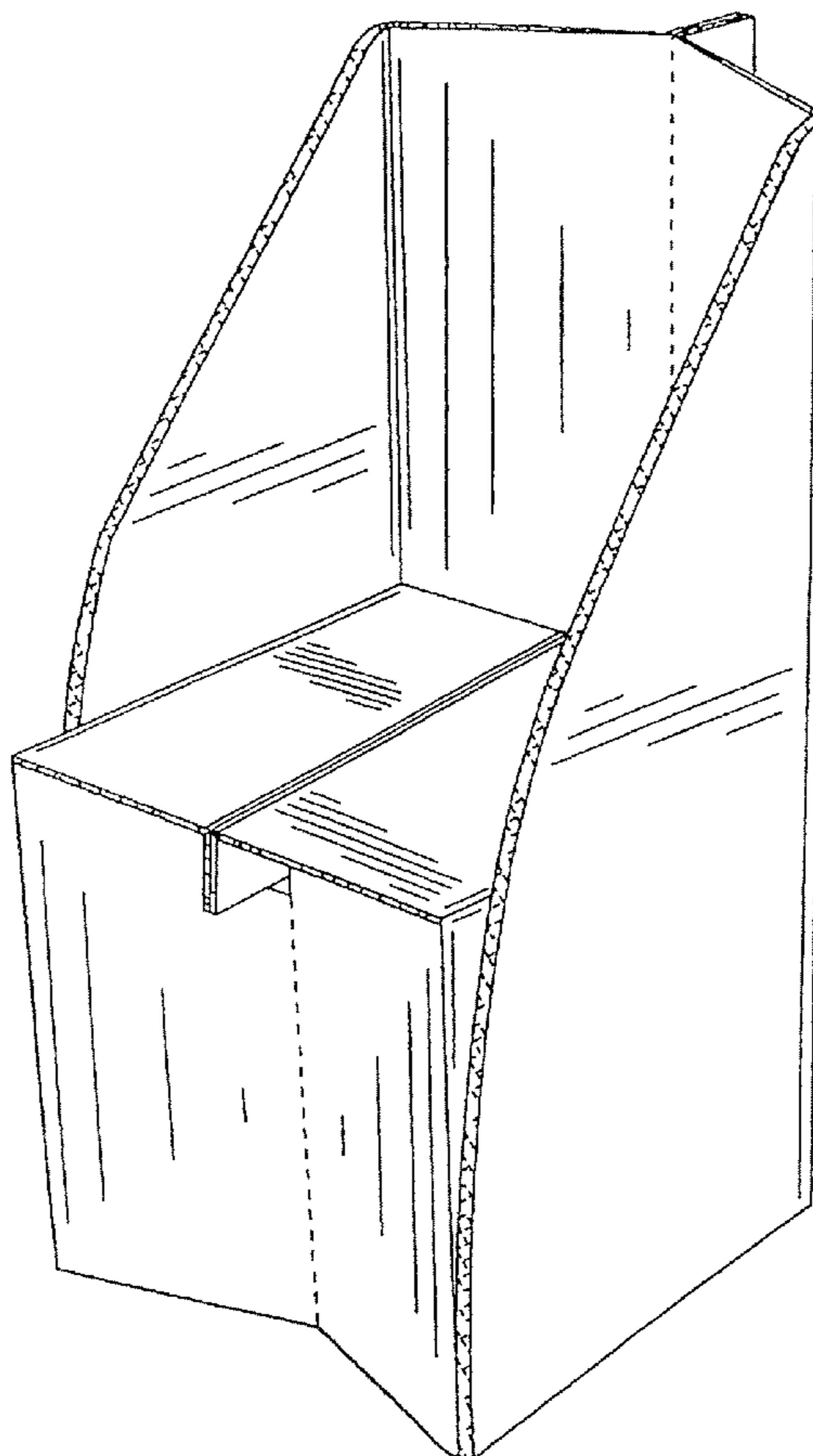
FIG. 3 is rear view of the chair of the present invention.

FIG. 4 is a front view of the chair of the present invention; and,

FIG. 5 is a top view of the chair of the present invention.

The broken lines shown in the drawing are for illustrative purposes only and form no part of the claimed design.

**1 Claim, 5 Drawing Sheets**



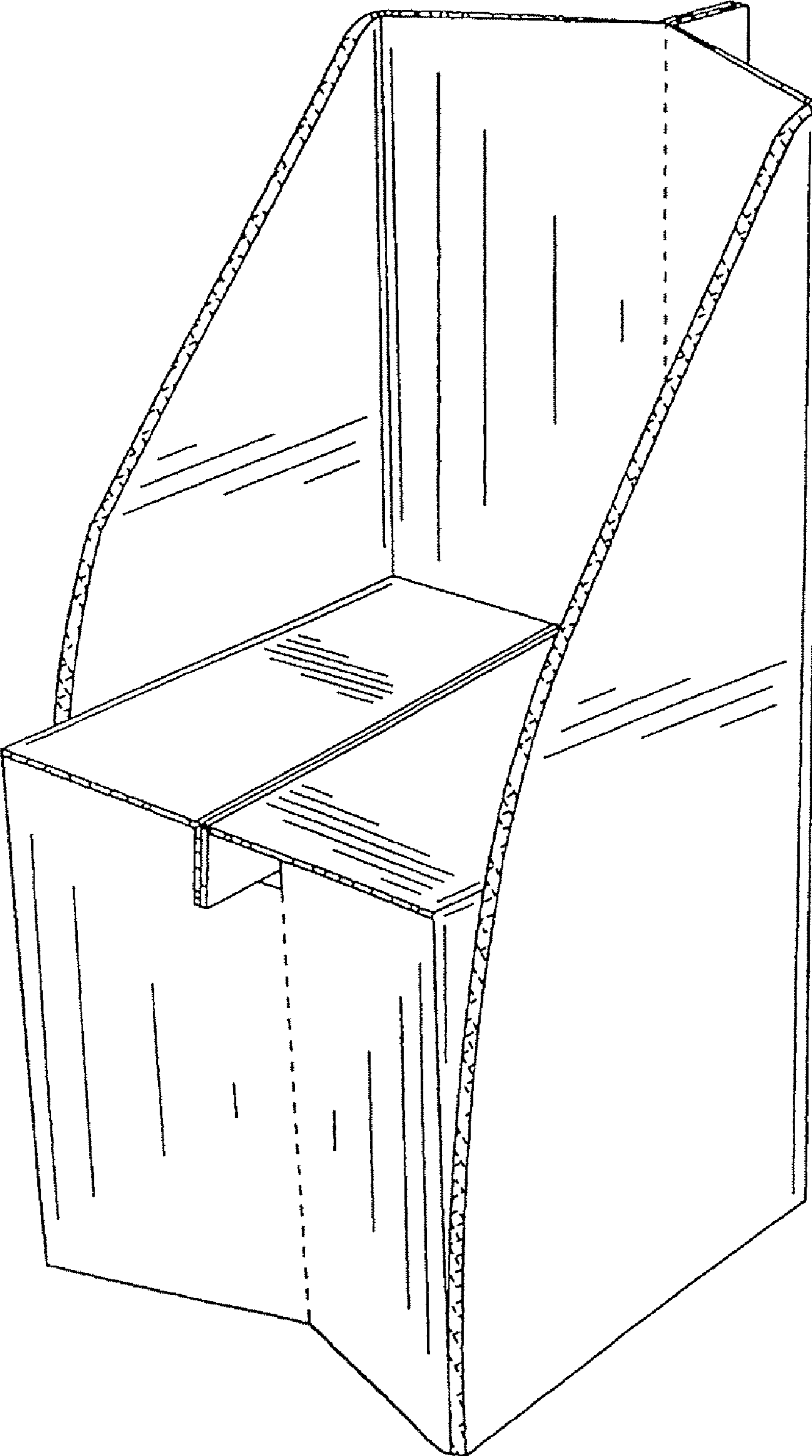


FIG. 1

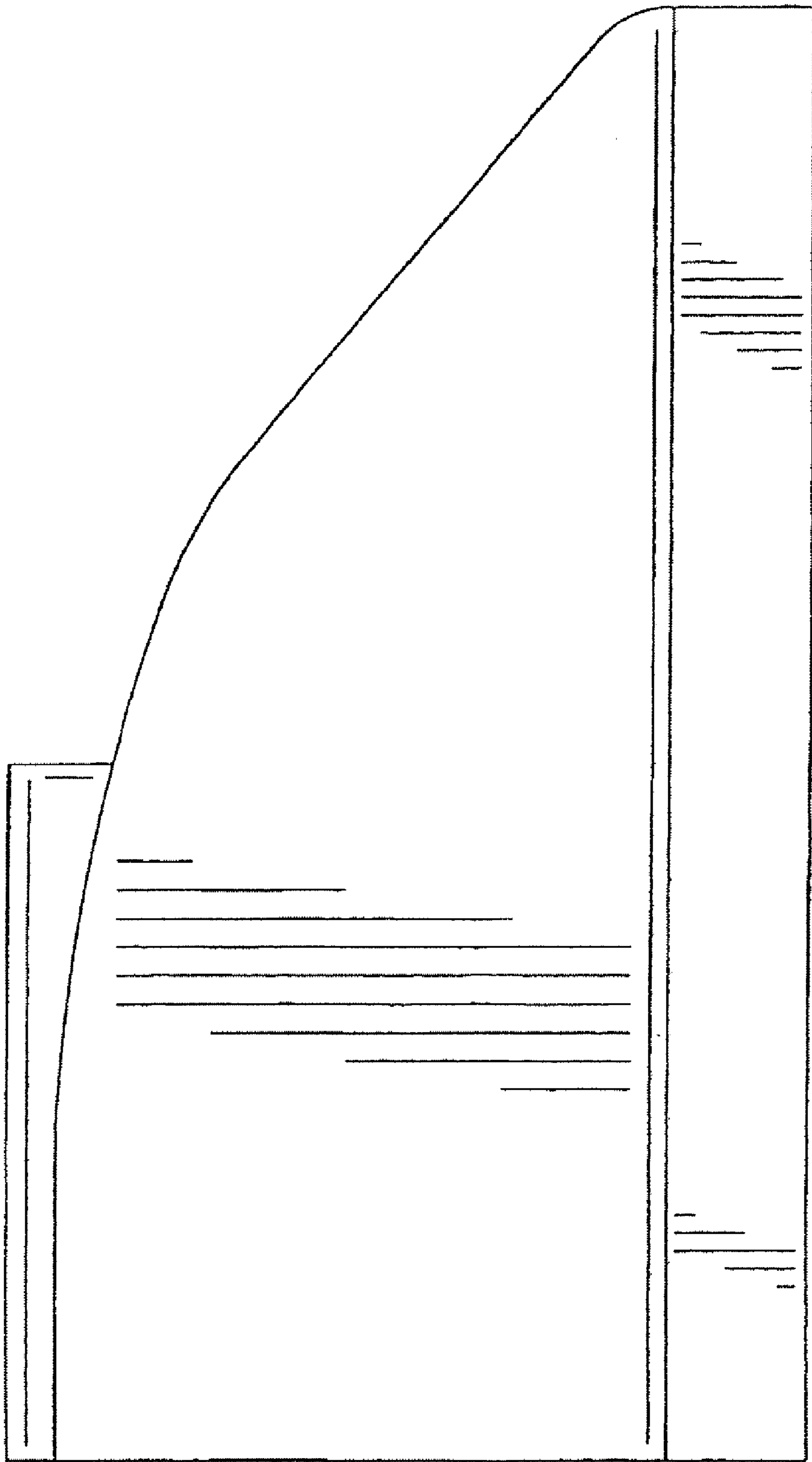


FIG. 2

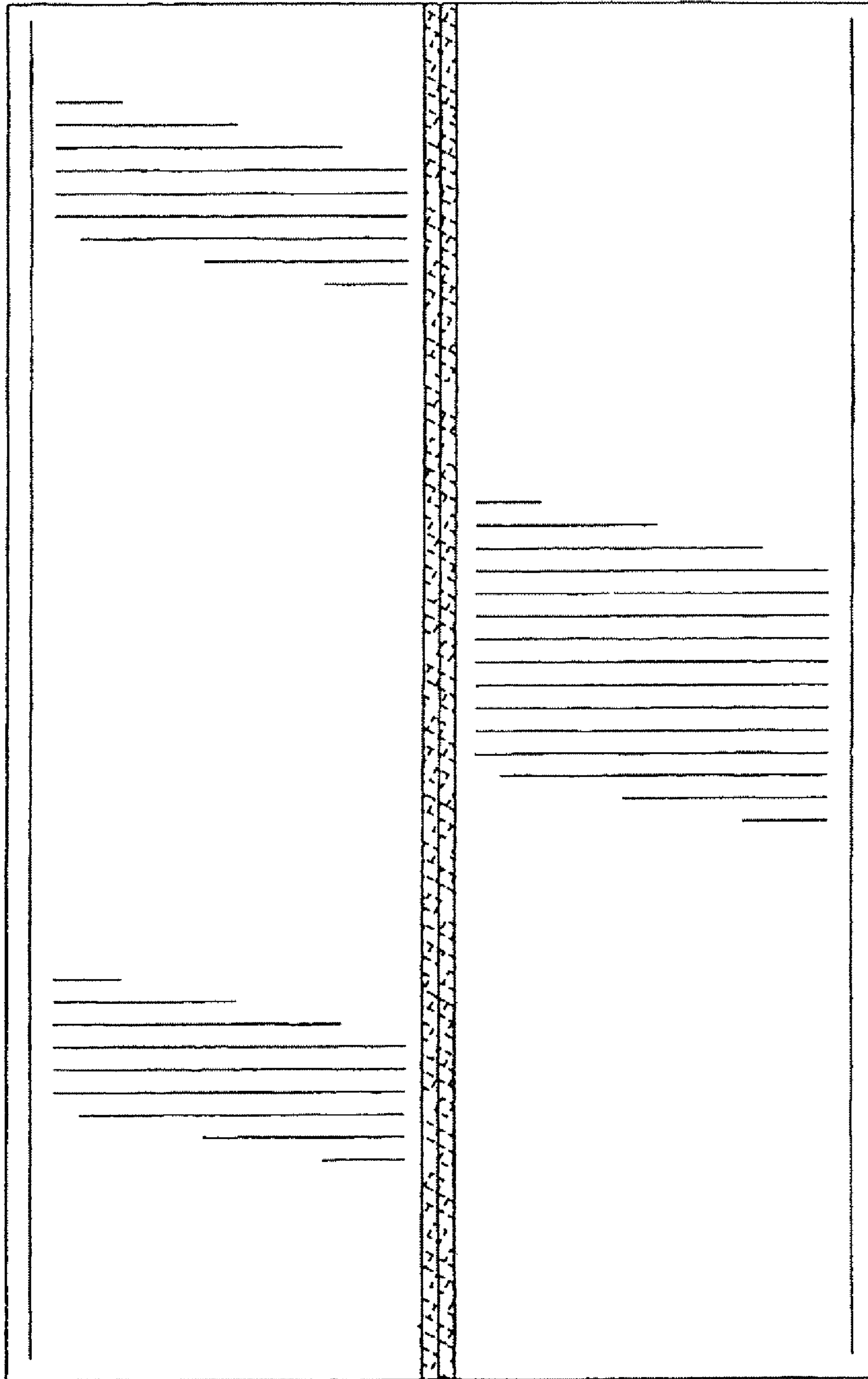


FIG. 3

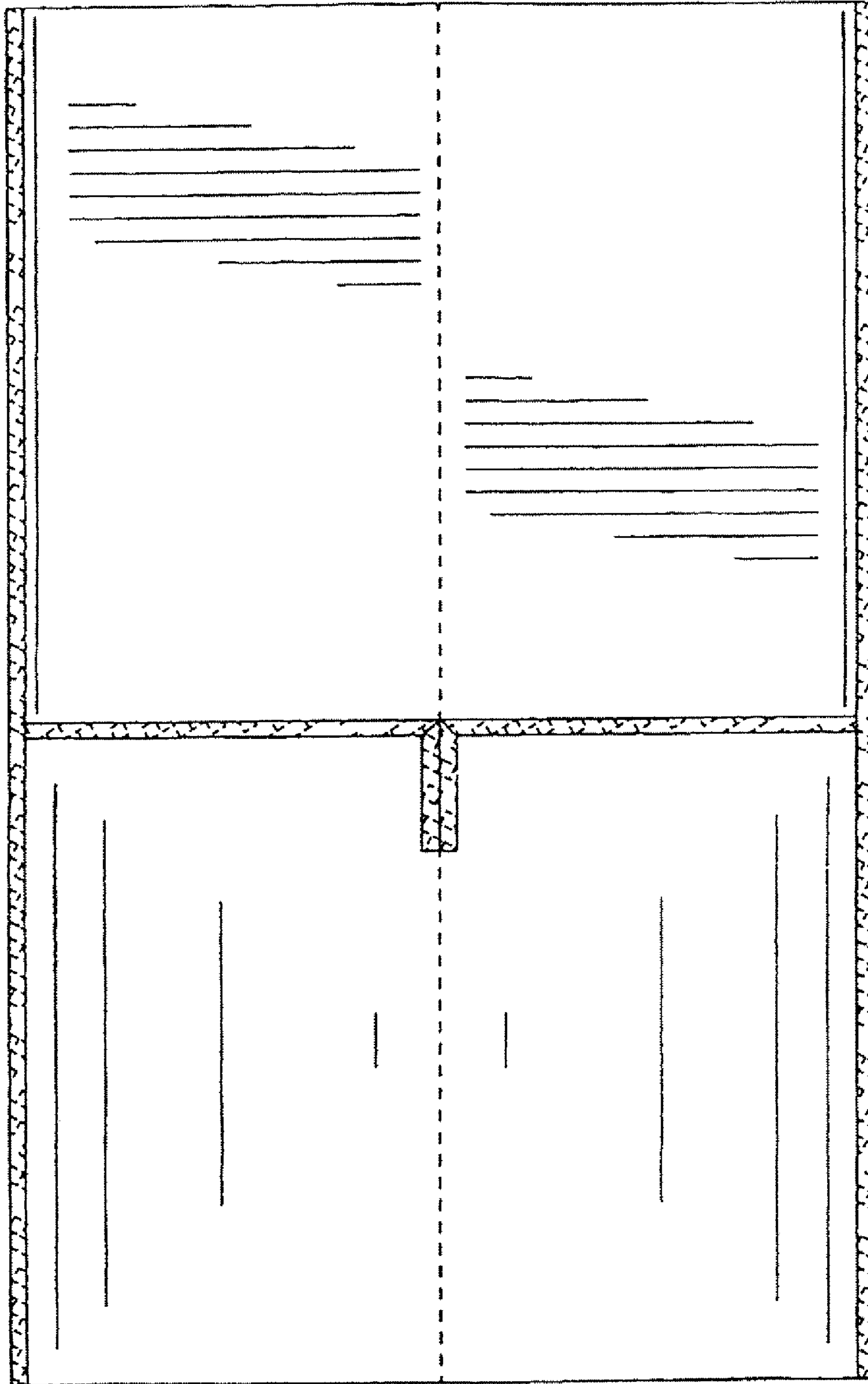


FIG. 4

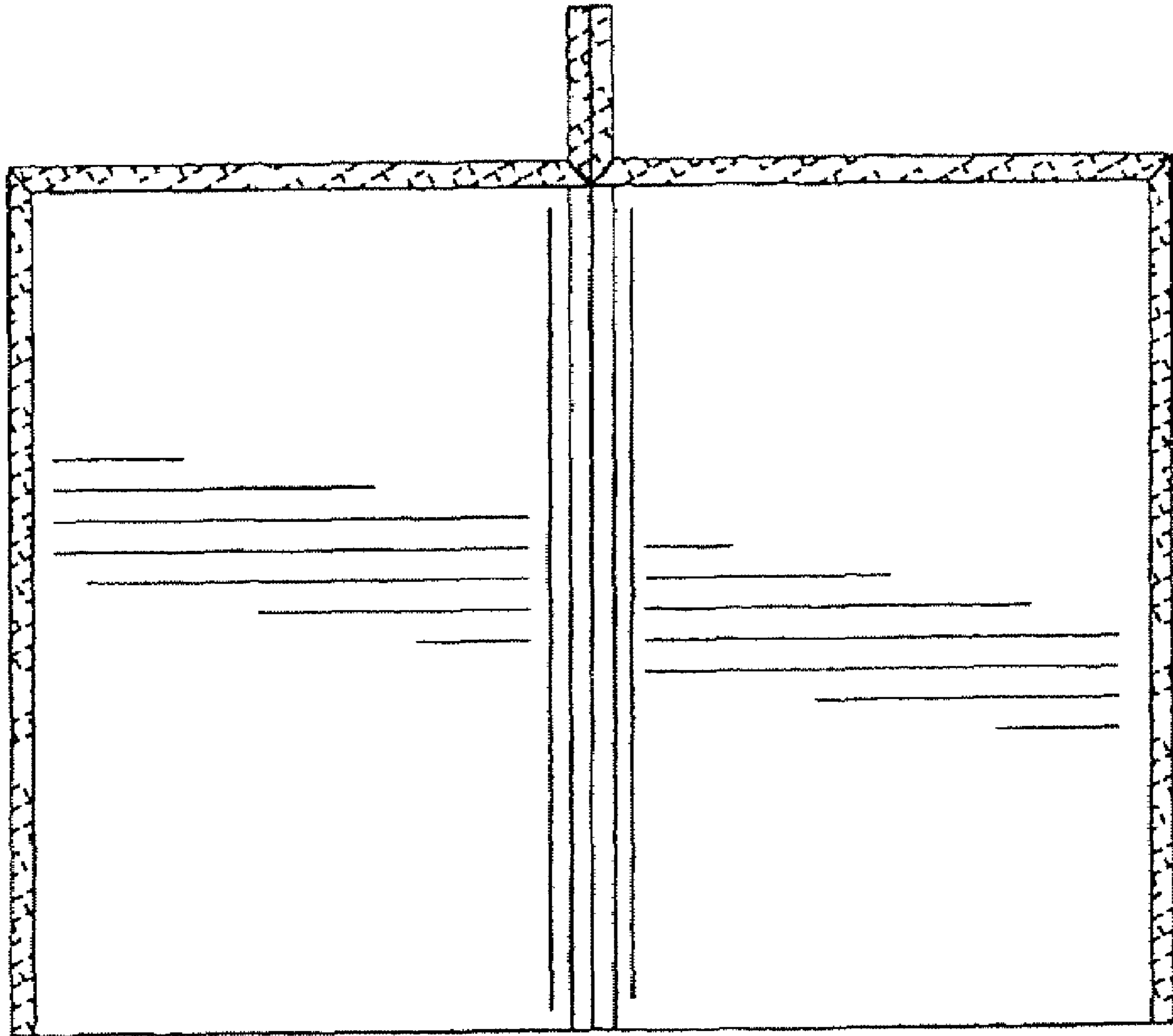


FIG. 5