



US00D555917S

(12) **United States Design Patent**
Erli

(10) **Patent No.:** **US D555,917 S**

(45) **Date of Patent:** **** Nov. 27, 2007**

(54) **CHILD'S CHAIR**

(75) **Inventor:** **Pier Angelo Erli, Telgate (IT)**

(73) **Assignee:** **Okbaby S.r.l., Telgate (Bergamo) (IT)**

(**) **Term:** **14 Years**

(21) **Appl. No.:** **29/270,114**

(22) **Filed:** **Dec. 14, 2006**

(30) **Foreign Application Priority Data**

Jul. 7, 2006 (EM) I 000557111-0001

(51) **LOC (8) Cl.** **06-01**

(52) **U.S. Cl.** **D6/333**

(58) **Field of Classification Search** D6/333-336,
D6/339-341, 344, 381, 491, 500-502; 297/250.1,
297/255, 256.15; 5/94, 98.2, 103-104, 655,
5/655.3; D12/129-130, 133; D21/419;
280/30-31

See application file for complete search history.

(56) **References Cited**

U.S. PATENT DOCUMENTS

3,620,570 A * 11/1971 Wilson et al. 297/451.12
3,863,978 A * 2/1975 Gillings, Jr. 296/63
D267,599 S * 1/1983 Fator D6/334
4,564,240 A * 1/1986 Thieme 297/452.14
D318,112 S * 7/1991 Tempereau Jacques D6/375

D330,461 S * 10/1992 Stevens D6/374
5,361,430 A * 11/1994 Wise 4/572.1
D398,784 S * 9/1998 Koehl et al. D6/333
D438,716 S * 3/2001 Longenecker D6/333
D454,182 S * 3/2002 Allison D23/278
D490,991 S * 6/2004 Desnos D6/333
D501,096 S * 1/2005 Desnos D6/358
D538,897 S * 3/2007 Erli D23/278

* cited by examiner

Primary Examiner—Sandra Snapp

(74) *Attorney, Agent, or Firm*—Pearne & Gordon LLP

(57) **CLAIM**

The ornamental design for a child's chair, as shown and described.

DESCRIPTION

FIG. 1 is a perspective view of a child's chair, showing my new design;

FIG. 2 is a front view thereof;

FIG. 3 is a back view thereof;

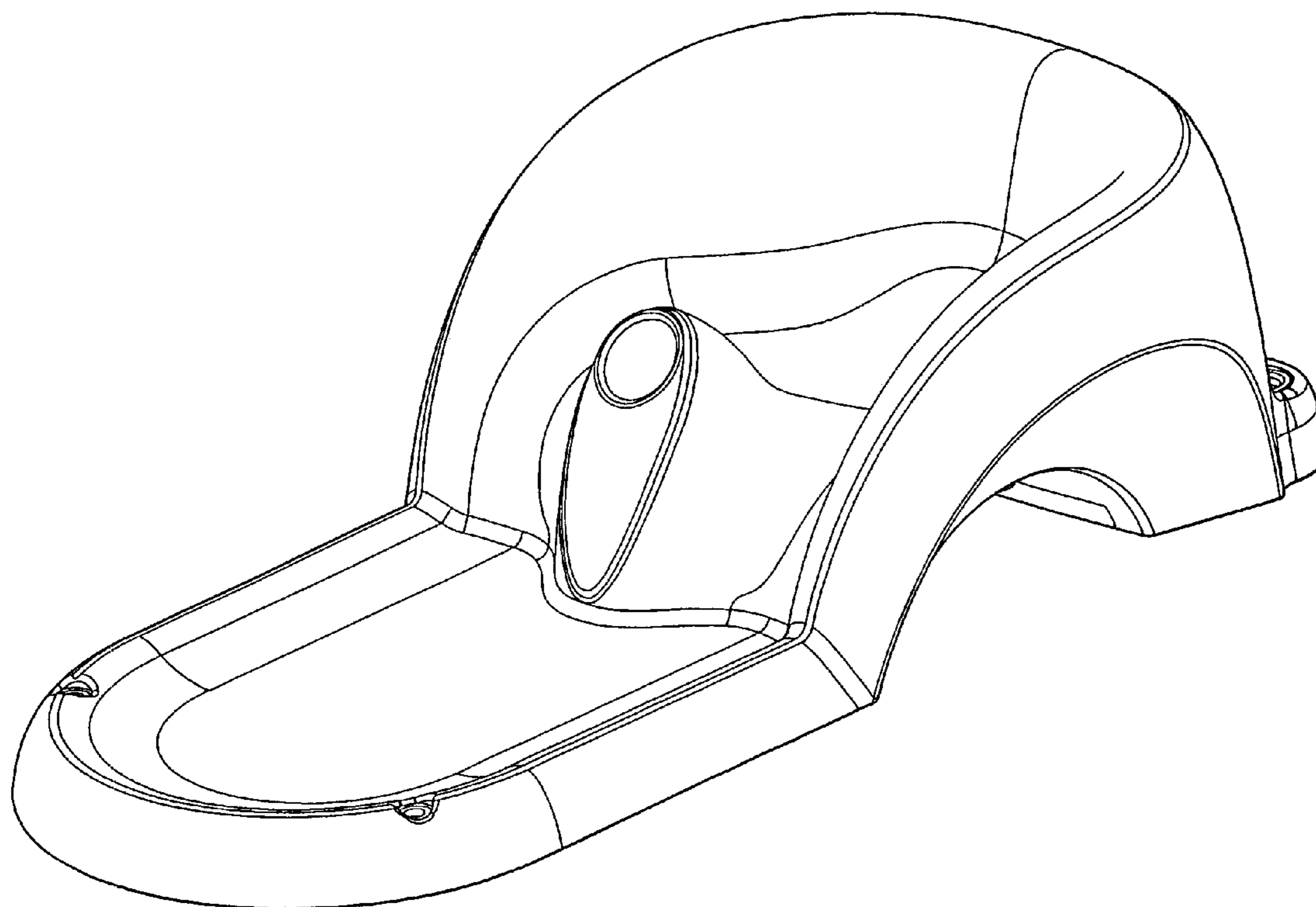
FIG. 4 is a right side view thereof;

FIG. 5 is a left side view thereof;

FIG. 6 is a top plan view thereof; and,

FIG. 7 is a bottom plan view thereof.

1 Claim, 7 Drawing Sheets



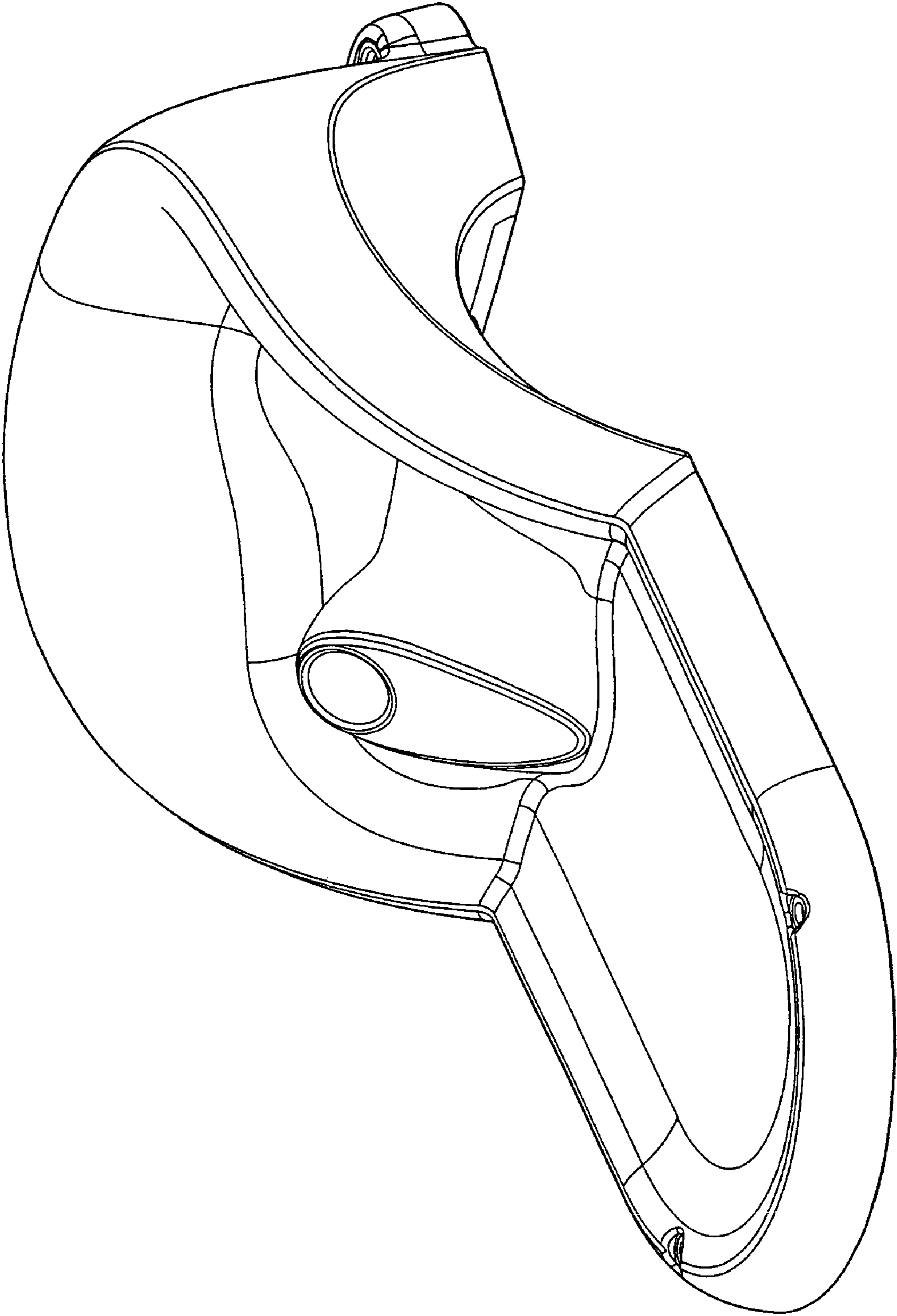


FIG. 1

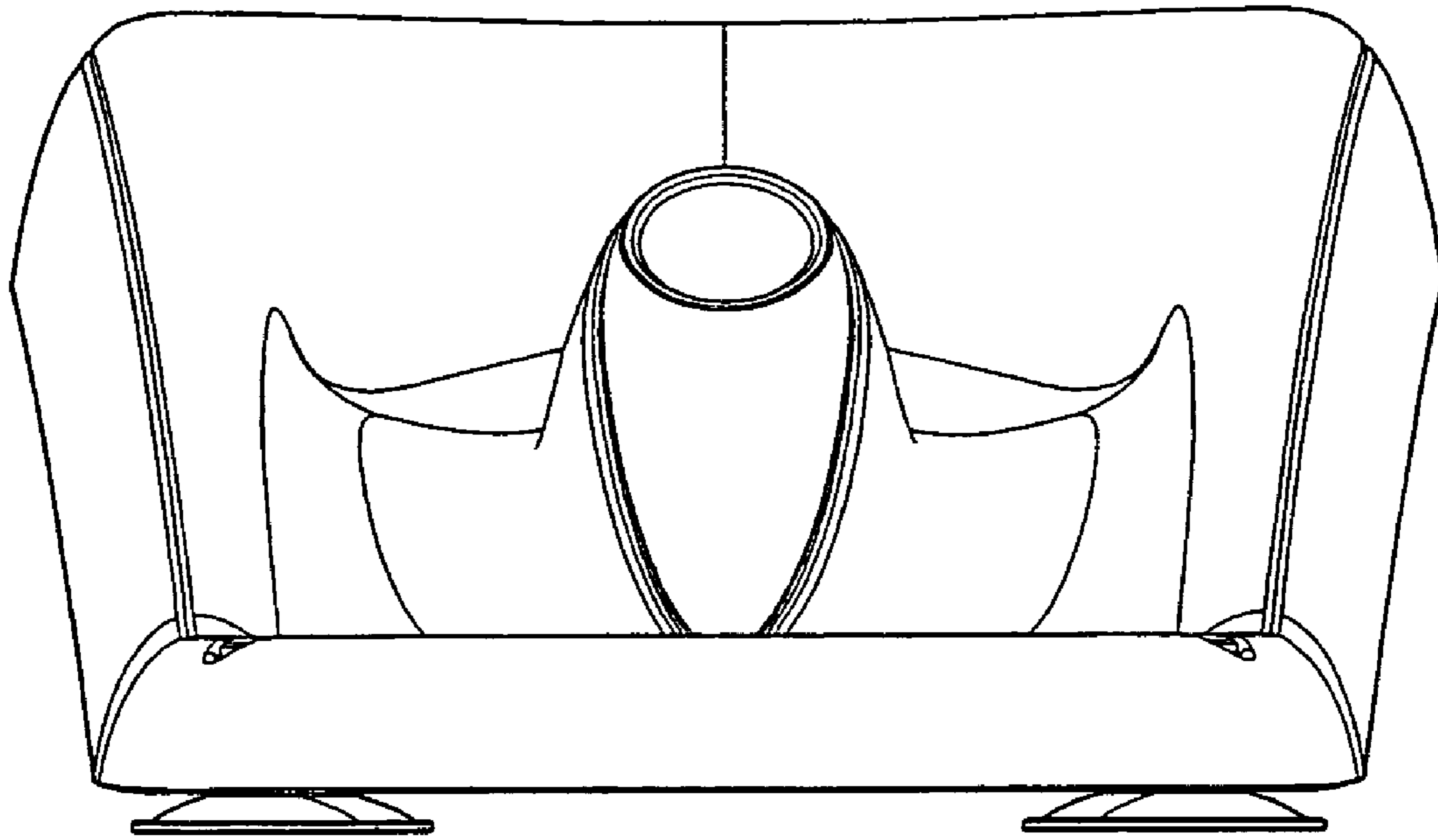


FIG. 2

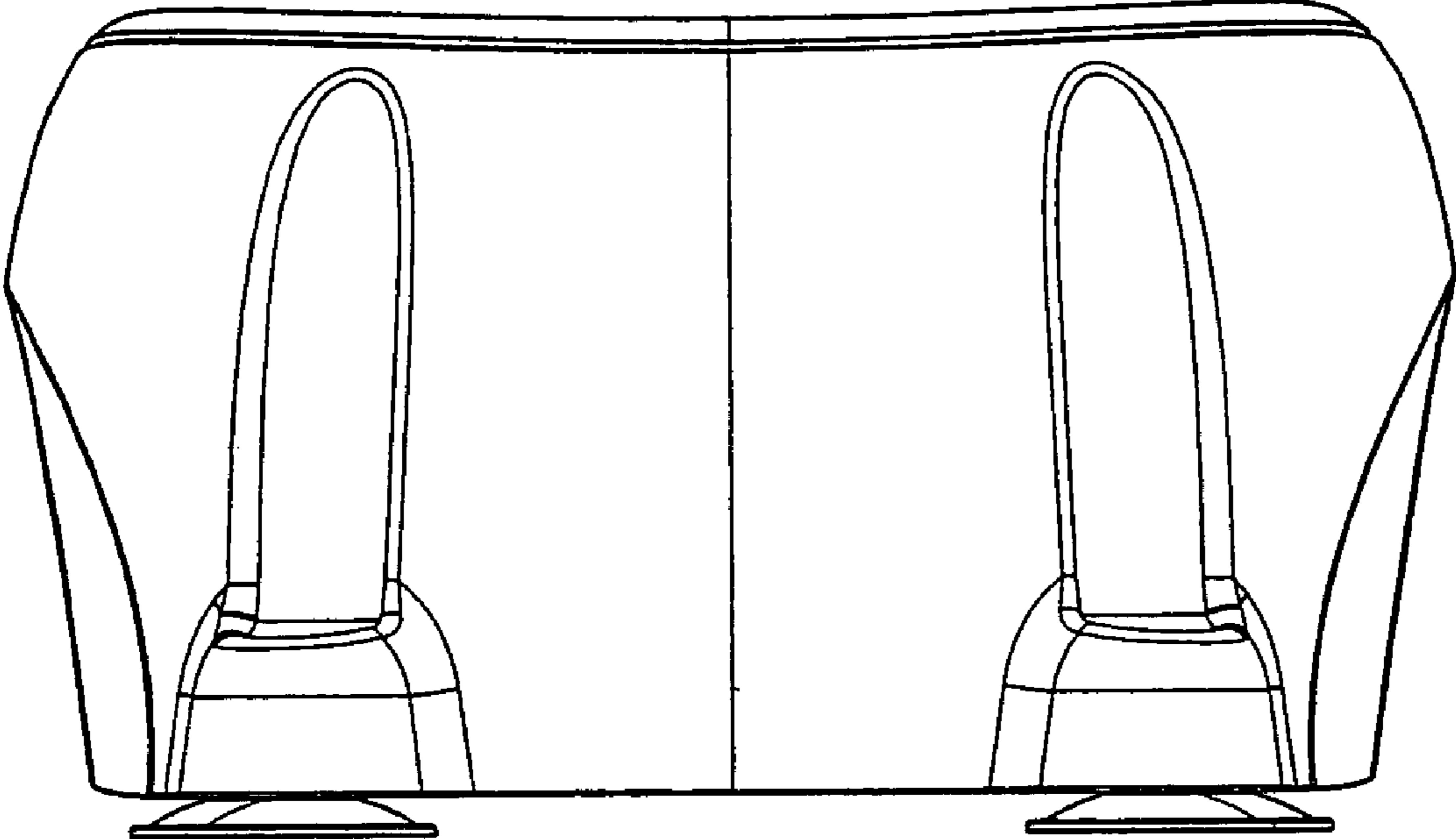


FIG. 3

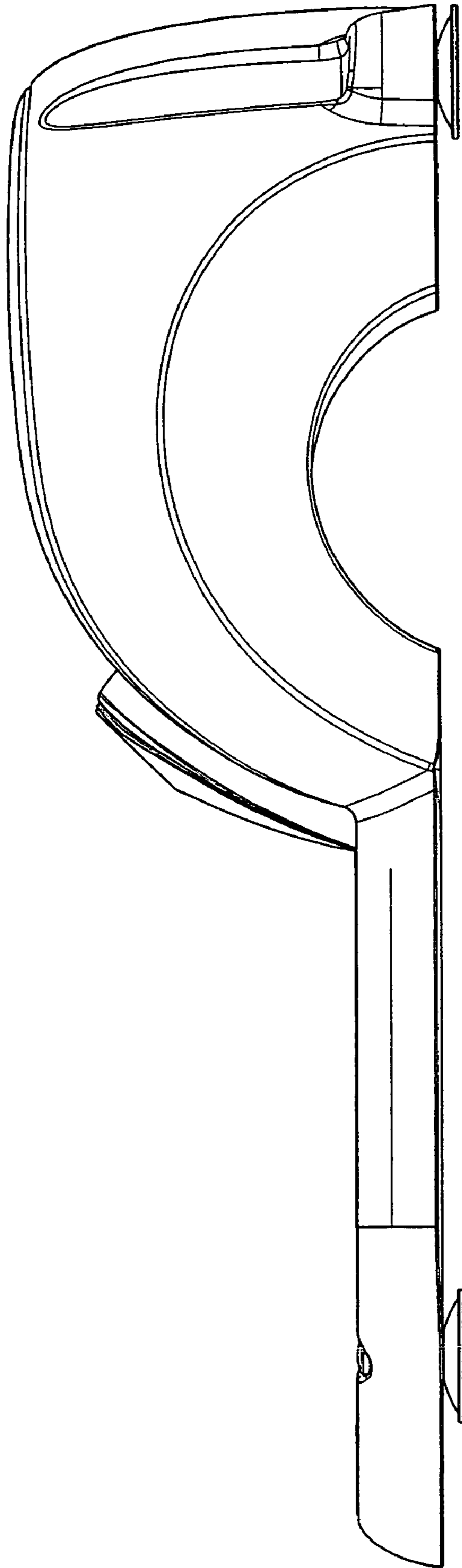


FIG. 4

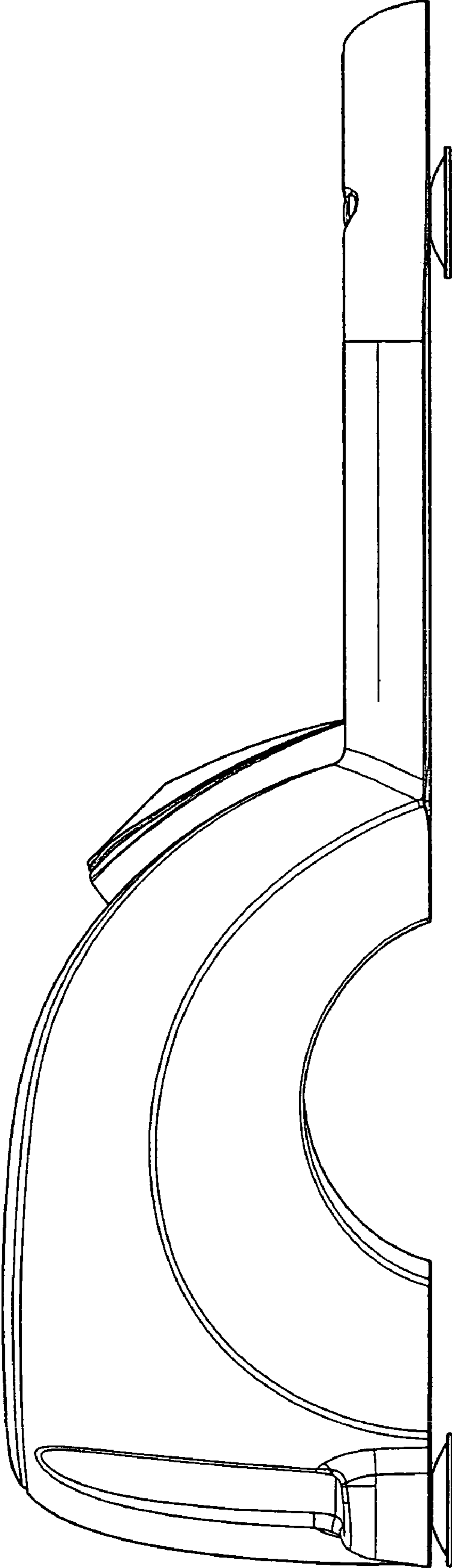


FIG. 5

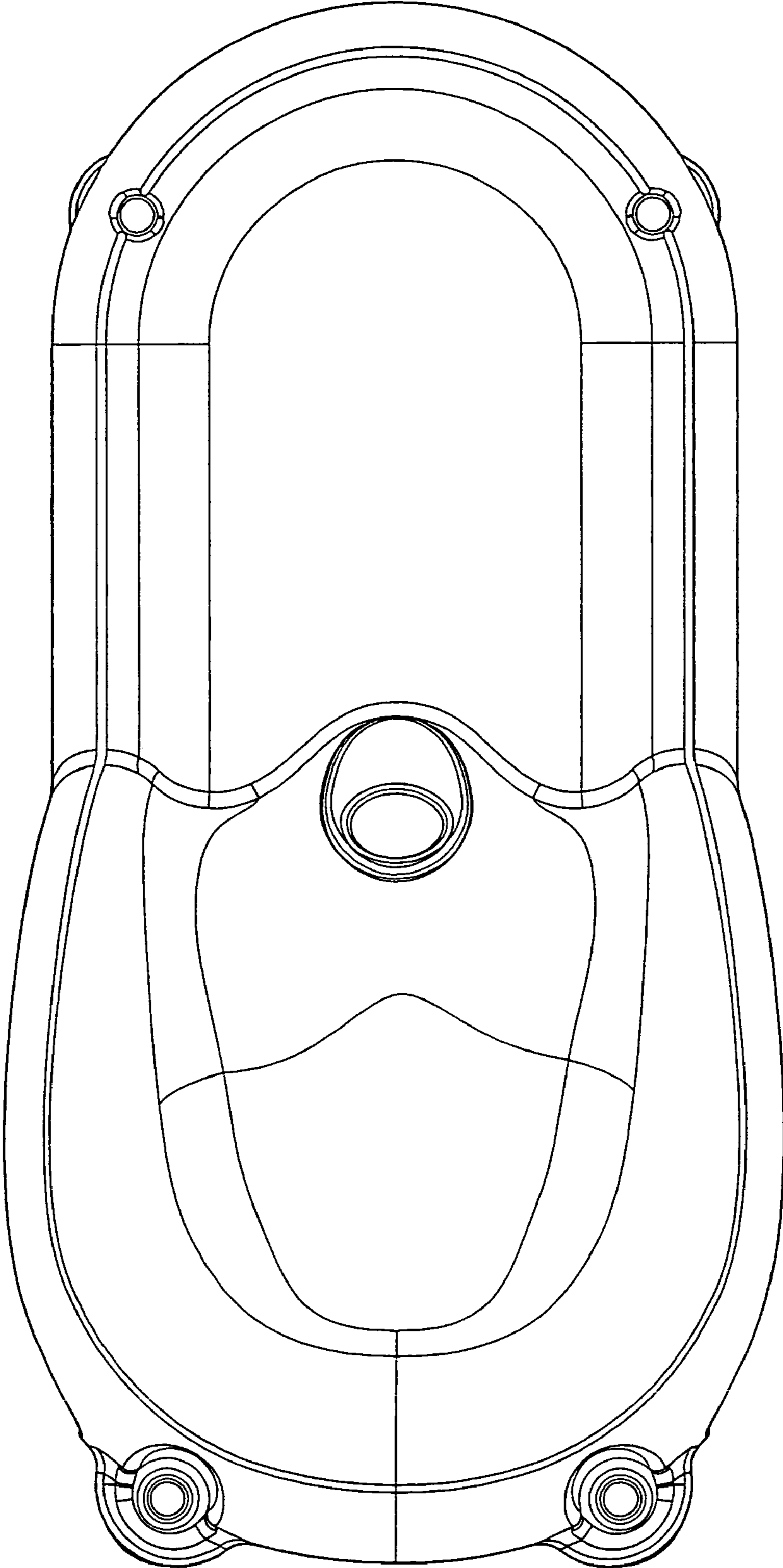


FIG. 6

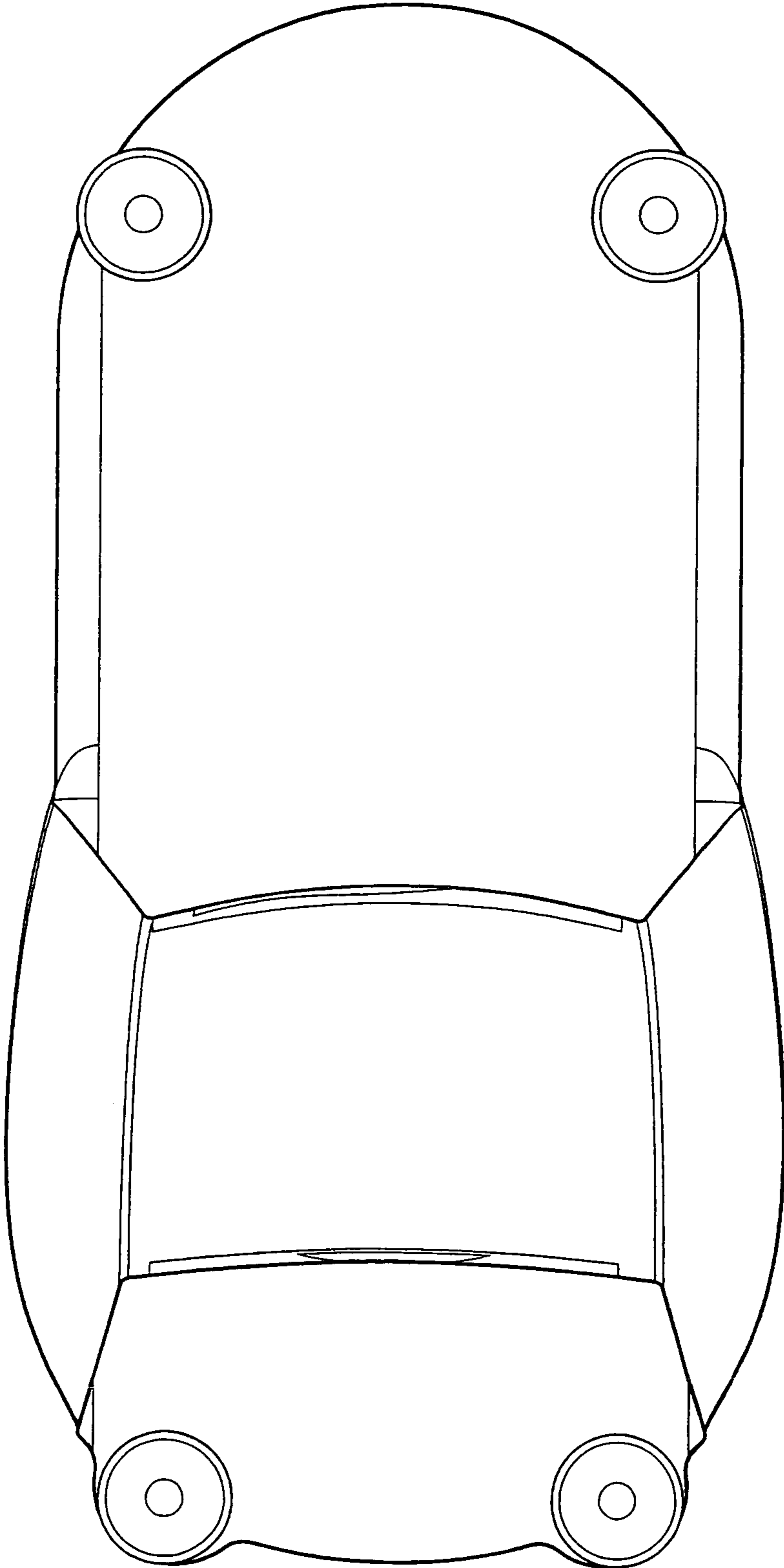


FIG. 7