



US00D555916S

(12) **United States Design Patent** (10) **Patent No.:** **US D555,916 S**
Mangano (45) **Date of Patent:** **** Nov. 27, 2007**

(54) **HANGER CLIP**

- (75) Inventor: **Joy Mangano**, St. James, NY (US)
- (73) Assignee: **Ingenious Designs, LLC**, Edgewood, NY (US)
- (**) Term: **14 Years**
- (21) Appl. No.: **29/277,867**
- (22) Filed: **Mar. 12, 2007**

- (51) **LOC (8) Cl.** **06-08**
 - (52) **U.S. Cl.** **D6/328**
 - (58) **Field of Classification Search** D6/315,
D6/317, 326, 328; D8/72; D11/215; 211/8,
211/13.1, 85.3; 223/85-98
- See application file for complete search history.

(56) **References Cited**

U.S. PATENT DOCUMENTS

D251,345 S *	3/1979	Bigelow et al.	D6/328
D277,534 S *	2/1985	Warmath	D6/328
D296,729 S *	7/1988	Blanchard	D6/328
D315,992 S *	4/1991	Tremblay et al.	D6/328
D316,333 S *	4/1991	Maki	D6/328
D323,588 S *	2/1992	Pelosi	D6/328
D334,846 S *	4/1993	Blanchard	D6/317
D405,343 S	2/1999	Oberdorf		
D409,006 S *	5/1999	Blanchard	D6/326
D415,357 S *	10/1999	Blanchard	D6/326
D429,898 S *	8/2000	Morgan et al.	D6/326
6,119,906 A	9/2000	Bond et al.		
D436,743 S *	1/2001	Batts et al.	D6/328
D440,409 S *	4/2001	Blanchard	D6/326
D449,743 S	10/2001	Morgan		
6,467,658 B1	10/2002	Olk et al.		
6,612,000 B2	9/2003	Housley		
6,688,502 B2	2/2004	Kunreuther		
D528,806 S	9/2006	Jones		

OTHER PUBLICATIONS

- HSN, "Joy Mangano Huggable Hangers Love Your Hanger Gift Set—Chrome," available at http://www.hsn.com/cnt/prod/default.aspx?webp_id=3163439&web_id=3163439, last visited Mar. 12, 2007.
- HSN, "Joy Mangano Huggable Hanger 18-piece Cascading Mini Hooks" available at http://www.hsn.com/cnt/prod/default.aspx?webp_id=2162109&web_id=2162109, last visited mar. 12, 2007.
- HSN, "Huggable Hangers Gift Packs," available at http://www.hsn.com/cnt/prod/default.aspx?webp_id=10018780&web_id=2421779&ocm=sekw, last visited Mar. 12, 2007.
- HSN, "Joy Mangano Huggable Hangers 154-piece Closet Makeover Package," available at http://www.hsn.com/cnt/prod/default.aspx?webm_id=10022246&web_id=2771589, last visited Mar. 12, 2007.
- HSN, "Joy Mangano 12-pack Huggable Suit Hangers," available at http://www.hsn.com/cnt/prod/default.aspx?webm_id=10022244&web_id=2328136, last visited Mar. 12, 2007.

(Continued)

Primary Examiner—Mitchell Siegel
Assistant Examiner—Shanda C. Hill
 (74) *Attorney, Agent, or Firm*—Kenyon & Kenyon LLP

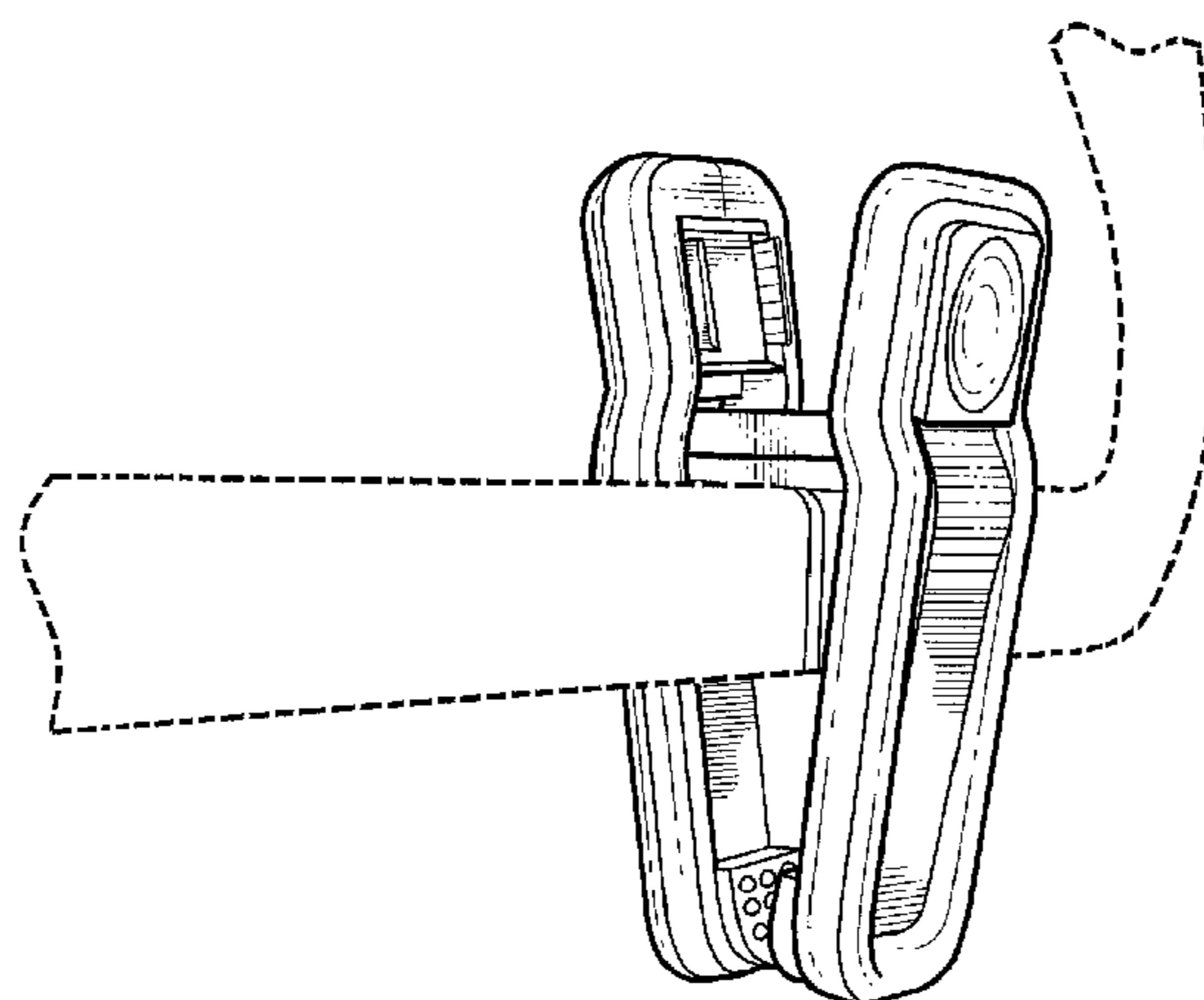
(57) **CLAIM**

The ornamental design for a hanger clip, as shown and described.

DESCRIPTION

FIG. 1 is a front view of the claimed design of a hanger clip, the opposite side being a mirror image;
 FIG. 2 is a side view thereof, the opposite side being a mirror image; and,
 FIG. 3 is a perspective view thereof.
 The broken lines showing environmental structures in FIG. 3 are for illustrative purposes only and form no part of the claimed design.

1 Claim, 3 Drawing Sheets



OTHER PUBLICATIONS

HSN, "Huggable Hangers—For the Home," available at http://www.hsn.com/cnt/prod/default.aspx?sz=12&gs=&sf=HM&dept=ZH0032&prev=hplsf&cm_re=c3*hangers_0605, last visited Dec. 14, 2006.

HNS, "Joy Mangano 20-pack Suit Huggable Hangers," available at http://www.hsn.com/cnt/prod/default.aspx?webp_id=2006698&web_id=200669, last visited Dec. 14, 2006.

HSN, "Joy Mangano 50-piece Huggable Hangers Holiday Pack," available at http://www.hsn.com/cnt/prod/default.aspx?webp_id=2776096&web_id=2776096, last visited Dec. 14, 2006.

HSN, "Joy Mangano Set of 36 Huggable Hangers," available at http://www.hsn.com/cnt/prod/default.aspx?webp_id=1583654&web_id=1583654, last visited Dec. 14, 2006.

* cited by examiner

FIG. 1

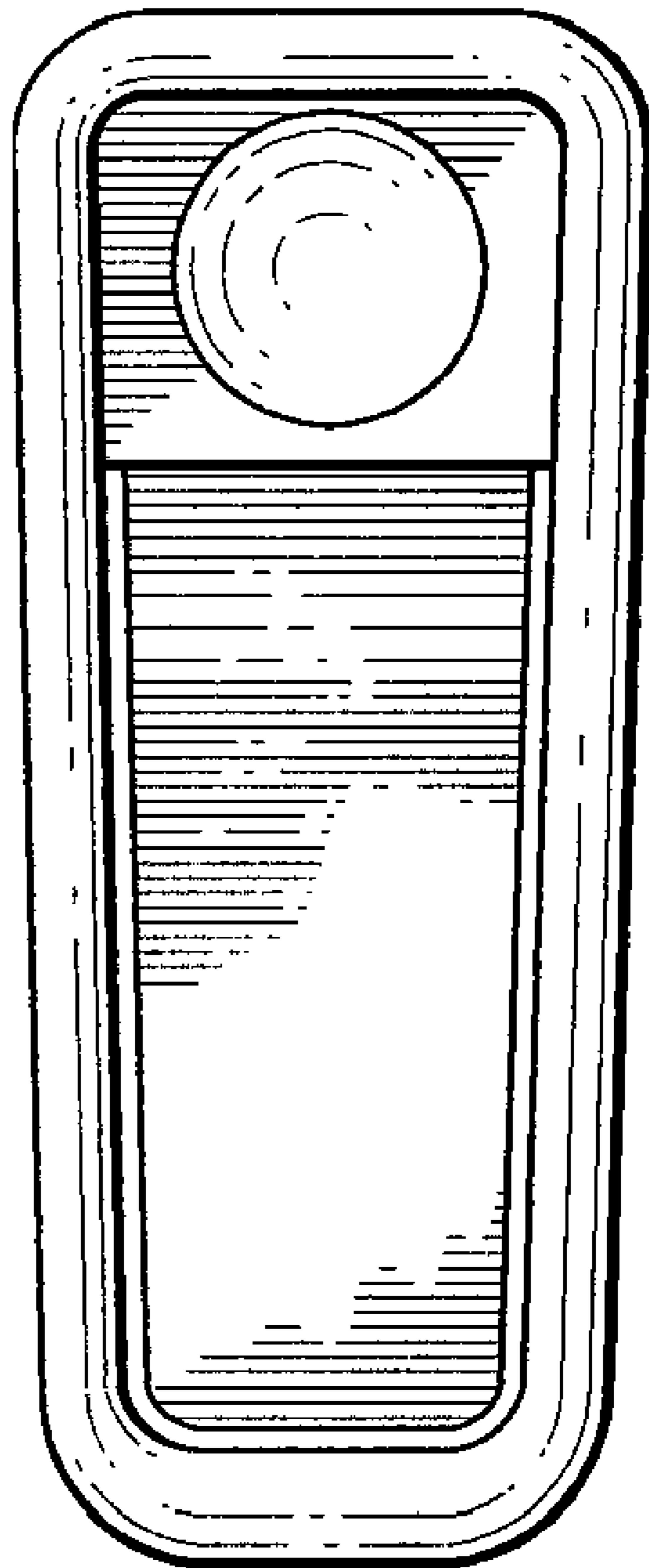


FIG. 2

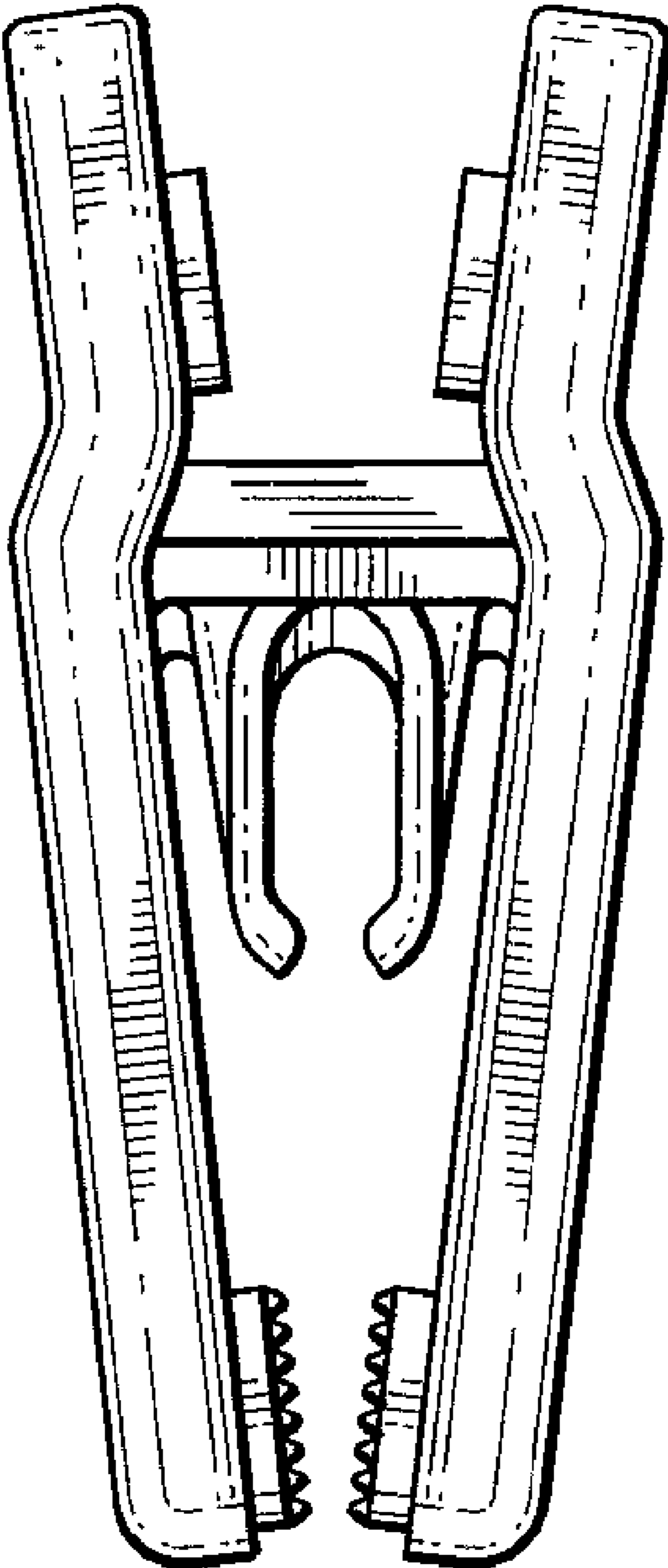


FIG. 3

