



US00D555906S

(12) **United States Design Patent**
Hecht

(10) **Patent No.:** **US D555,906 S**

(45) **Date of Patent:** **** Nov. 27, 2007**

(54) **REUSABLE BOX COVER WITH CARRY STRAPS AND DISPLAY POCKETS**

6,824,042 B2 * 11/2004 Chu 229/117.35
6,840,380 B1 * 1/2005 Gambale 206/575

(76) Inventor: **Linda S. Hecht**, 9579 Feather Grass Way, Fishers, IN (US) 46038-8292

* cited by examiner

(**) Term: **14 Years**

Primary Examiner—Louis S. Zarfaz

Assistant Examiner—Kathleen M. Sims

(21) Appl. No.: **29/232,369**

(74) *Attorney, Agent, or Firm*—Robert Steven Linne

(22) Filed: **Jun. 17, 2005**

(57) **CLAIM**

Related U.S. Application Data

The ornamental design for the reusable box cover with carry straps and display pockets, as shown and described.

(63) Continuation of application No. 60/635,672, filed on Dec. 13, 2004.

DESCRIPTION

(51) **LOC (8) Cl.** **03-01**

FIG. 1 is a front perspective view of the reusable box cover with carry straps and display pockets showing my new design;

(52) **U.S. Cl.** **D3/318**

FIG. 2 is an alternate front perspective view thereof;

(58) **Field of Classification Search** D3/318, D3/319, 320; D9/444, 445, 446, 414; 150/103; 206/575; 220/23.88; 229/100, 117.09, 117.19, 229/117.27, 117.35, 125.22, 901

FIG. 3 is a top plan view with the flaps in the open position thereof;

See application file for complete search history.

FIG. 4 is a end elevational view, the opposite end being identical thereto;

(56) **References Cited**

FIG. 5 is a side elevational view, the opposite side being identical thereto; and,

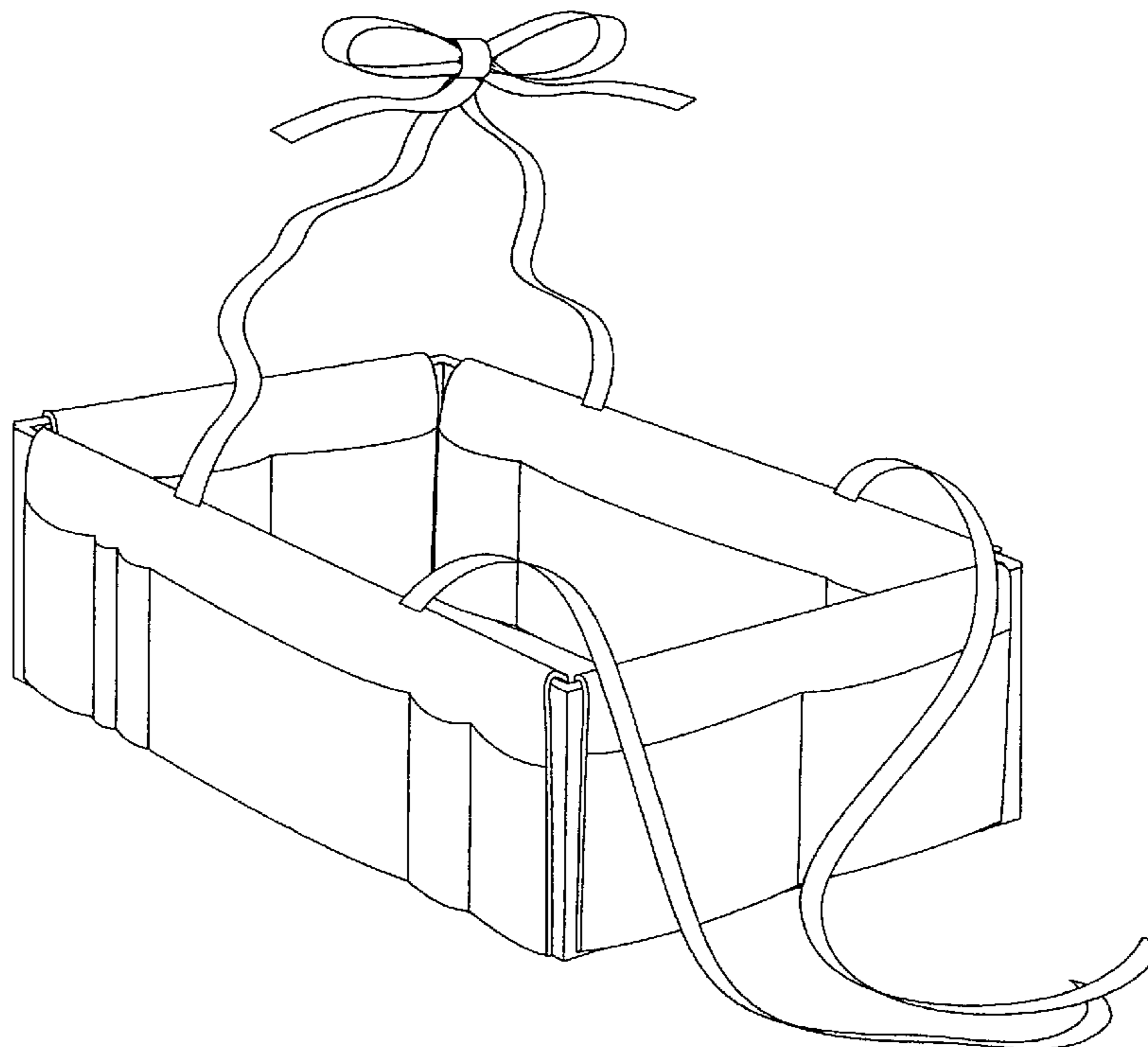
U.S. PATENT DOCUMENTS

D38,791 S * 9/1907 Jack D9/444
D350,692 S * 9/1994 Seki D9/414
5,800,061 A * 9/1998 Volles 150/103
D419,259 S * 1/2000 Johnson D9/414
6,612,454 B1 * 9/2003 Lin 220/23.88
6,651,873 B2 * 11/2003 Quaintance 229/117.35
6,687,927 B1 * 2/2004 Tharalson et al. 220/117.35

FIG. 6 is an exploded view thereof.

The broken line showing of articles in FIG. 5, and an inside supported box in FIG. 6, is for illustrative purposes only and forms no part of the claimed design.

1 Claim, 5 Drawing Sheets



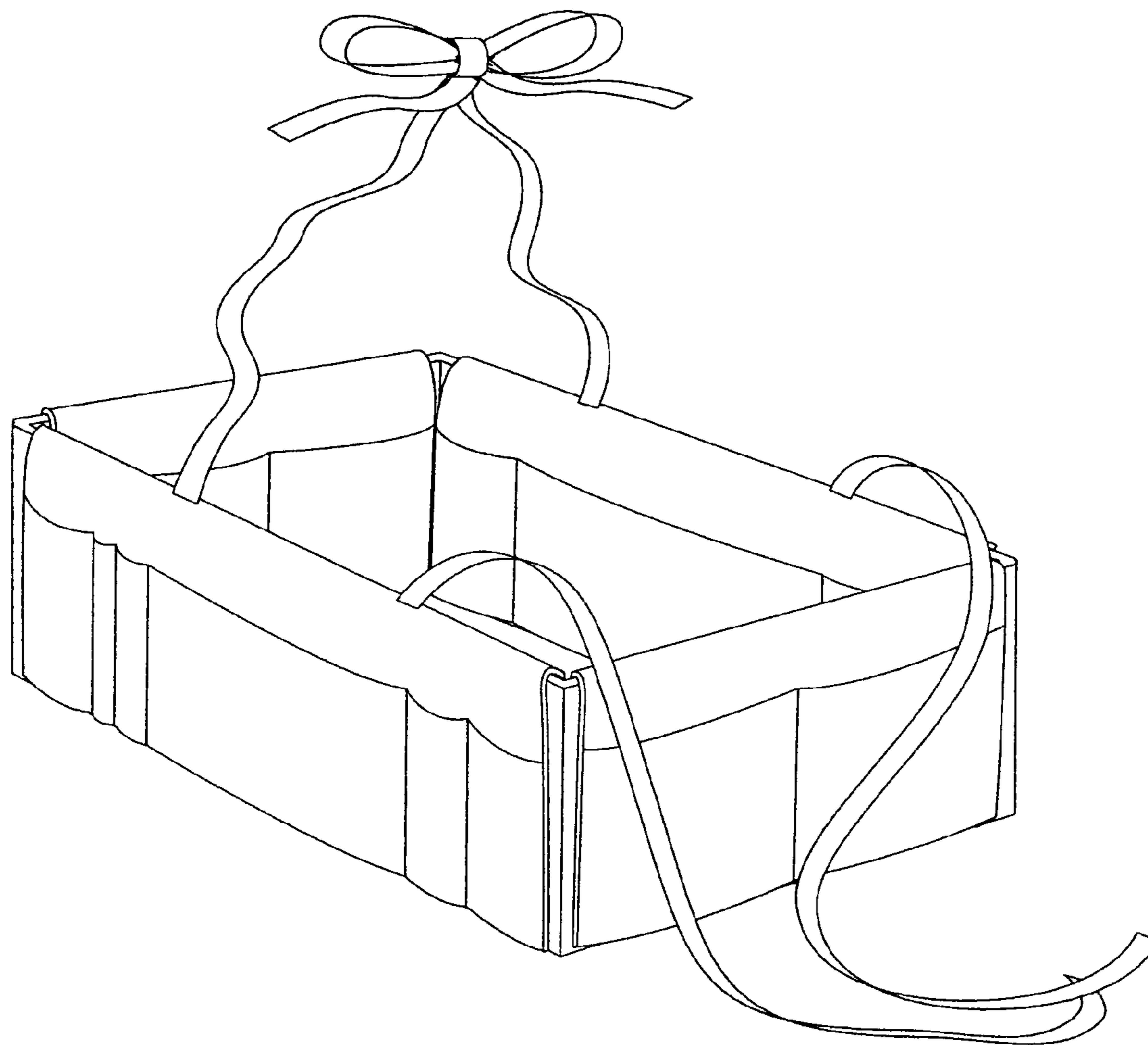


FIG. 1

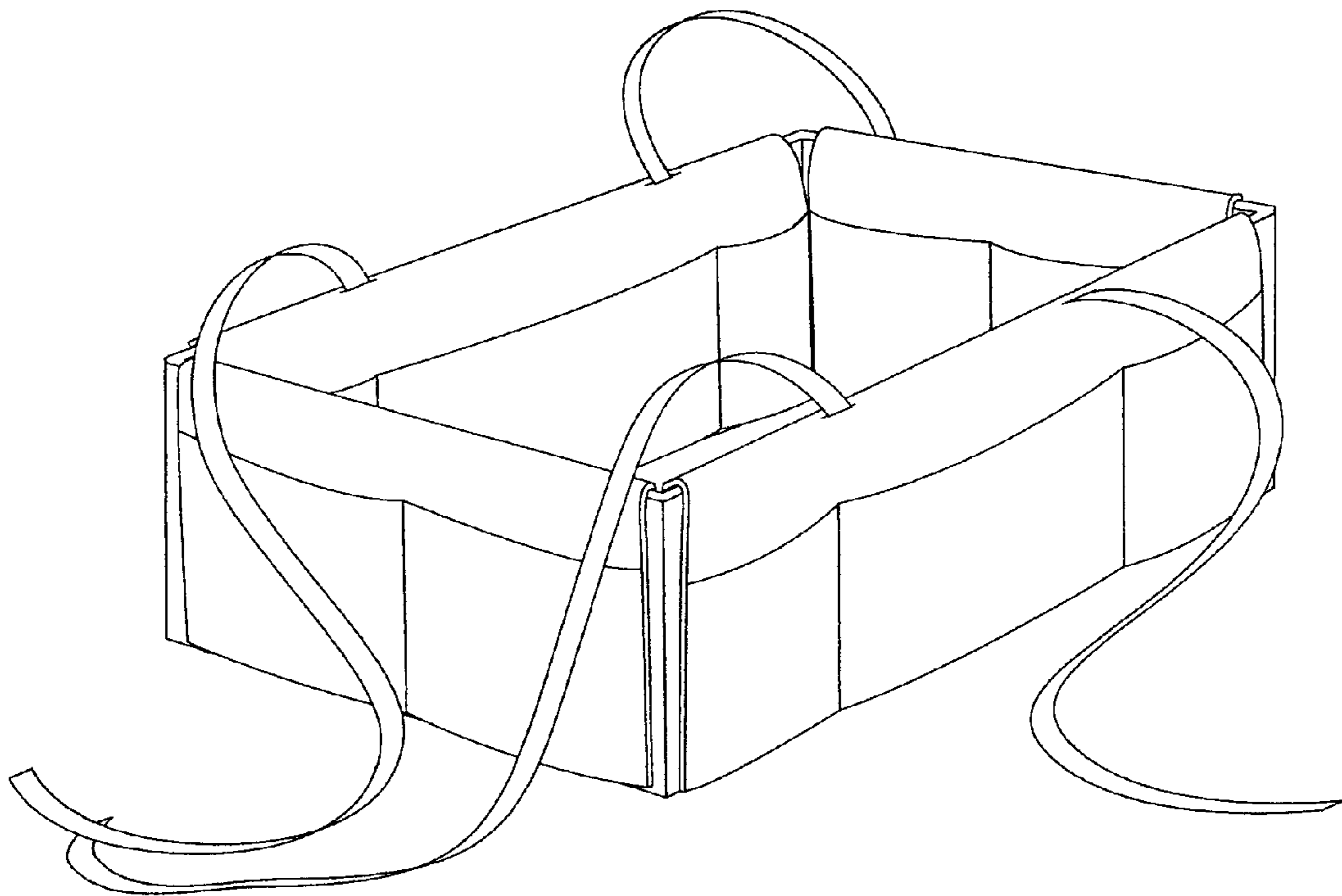


FIG. 2

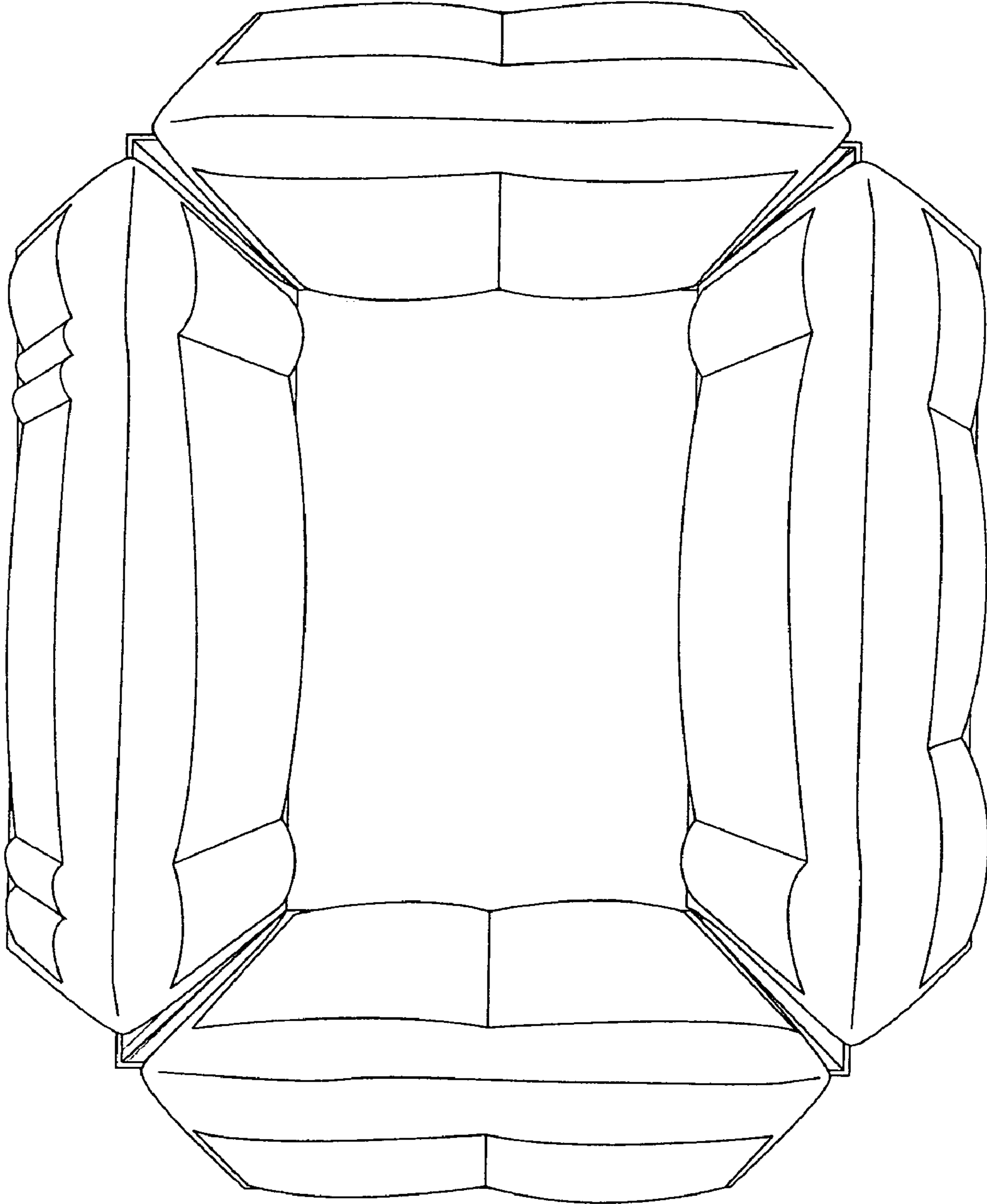


FIG. 3

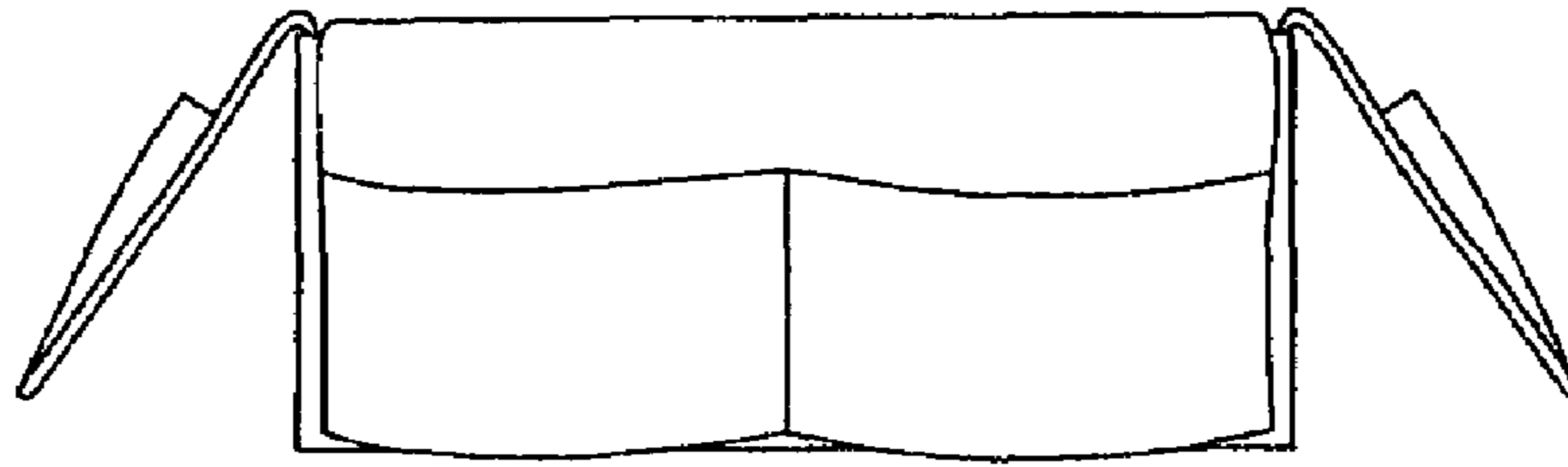


FIG. 4

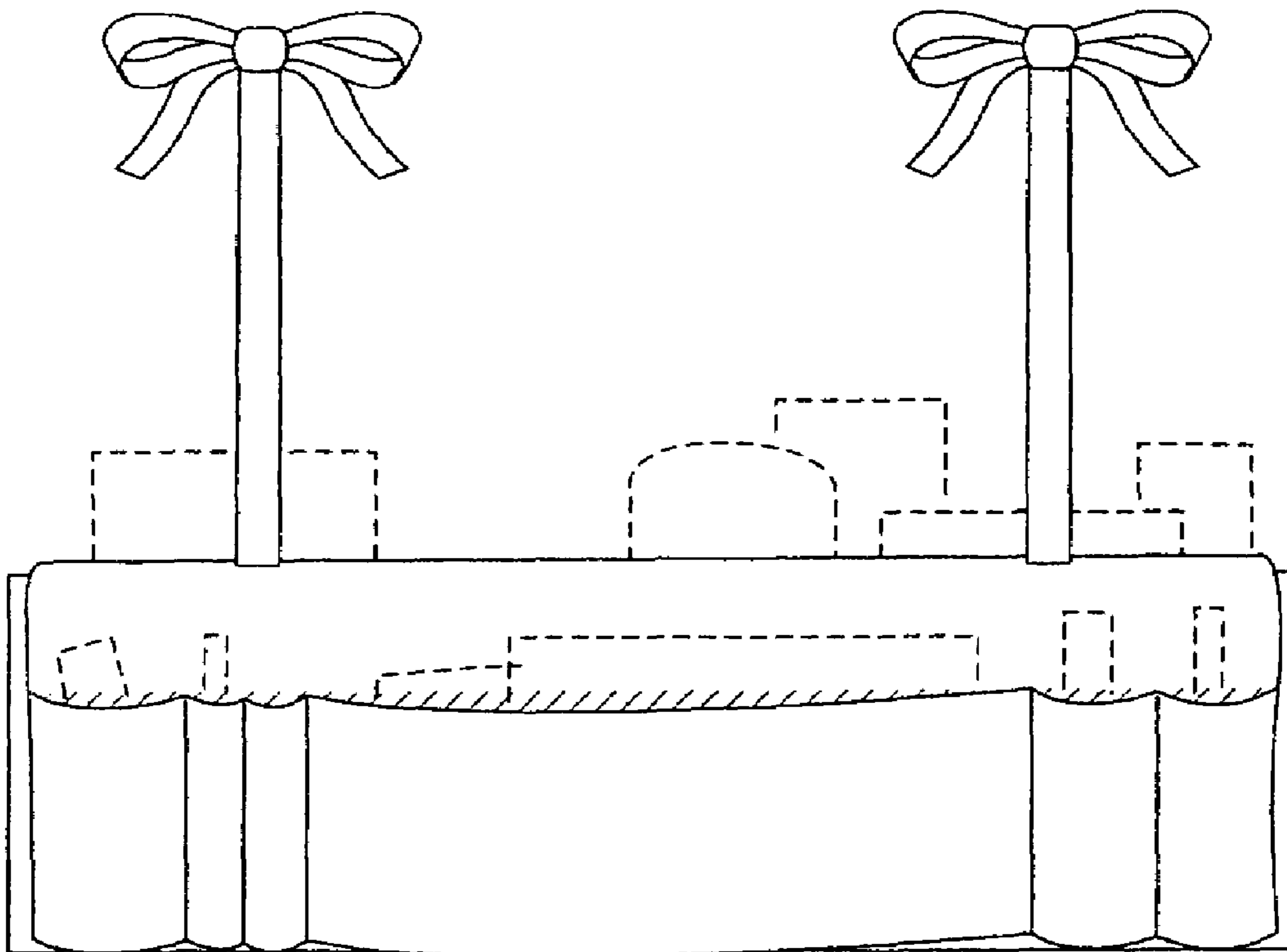


FIG. 5

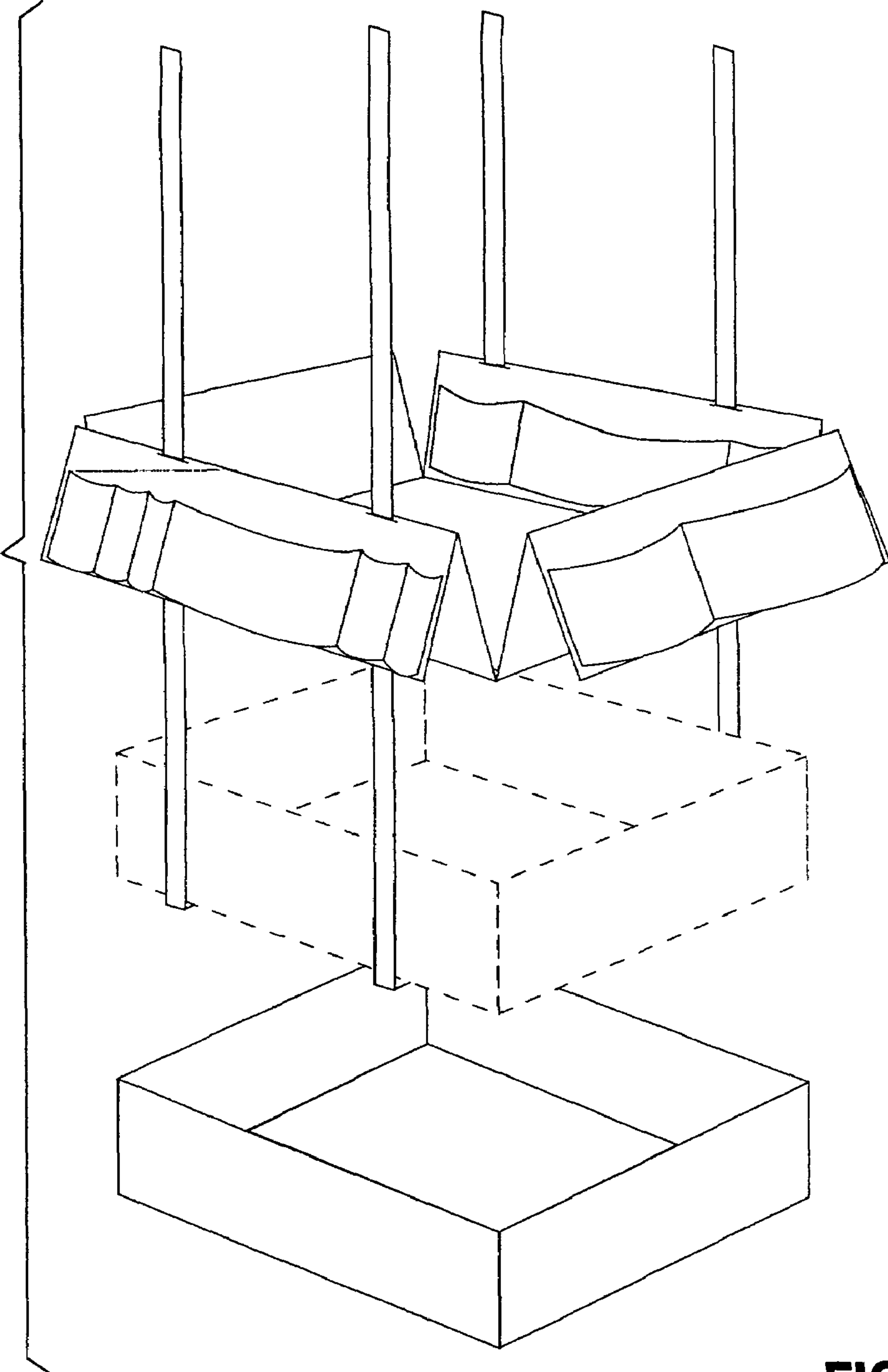


FIG. 6