



US00D555904S

(12) **United States Design Patent**  
**Snell**

(10) **Patent No.:** **US D555,904 S**

(45) **Date of Patent:** **\*\* \*Nov. 27, 2007**

(54) **DRAWER ORGANIZER**

(75) Inventor: **Russell Benton Snell**, Bentleyville, OH (US)

(73) Assignee: **InterDesign, Inc.**, Solon, OH (US)

(\* ) Notice: This patent is subject to a terminal disclaimer.

(\*\*) Term: **14 Years**

(21) Appl. No.: **29/258,822**

(22) Filed: **Apr. 27, 2006**

(51) **LOC (8) Cl.** ..... **03-01**

(52) **U.S. Cl.** ..... **D3/304; D3/314**

(58) **Field of Classification Search** ..... D3/203.1,  
D3/203.3, 205–206, 273, 276, 304–305;  
D6/475–476, 525; D19/75, 77, 86, 90, 92,  
D19/100; 206/203, 214–215, 822, 307.1;  
229/100, 406, 913–914

See application file for complete search history.

(56) **References Cited**

**U.S. PATENT DOCUMENTS**

D247,651 S *	3/1978	Carroll et al. ....	D3/314
D282,808 S *	3/1986	Daenen et al. ....	D7/602
D307,348 S *	4/1990	Yoshikawa ....	D3/314
D318,420 S *	7/1991	Amelse ....	D9/760
D323,296 S *	1/1992	Schoenthaler ....	D9/456
D336,715 S *	6/1993	Gora et al. ....	D3/314
D363,662 S *	10/1995	Plater ....	D9/425
D372,123 S *	7/1996	Kobilarcik et al. ....	D3/312
D387,559 S *	12/1997	Williamson ....	D3/313
D397,553 S *	9/1998	Zimmerman ....	D3/314

D433,711 S *	11/2000	Andujar .....	D19/78
D461,630 S *	8/2002	Opdyke .....	D3/201
D461,668 S *	8/2002	Zadro .....	D6/525
D483,945 S *	12/2003	Tanji .....	D3/302
D530,919 S *	10/2006	Snell .....	D3/304
2003/0010817 A1 *	1/2003	Lingle et al. ....	229/406

**OTHER PUBLICATIONS**

2005 InterDesign, Inc. product brochure, p. 42, 43, 51 w/front & back cover.

\* cited by examiner

*Primary Examiner*—Louis S. Zarfaz

*Assistant Examiner*—Eric L Goodman

(74) *Attorney, Agent, or Firm*—D. Peter Hochberg; Sean Mellino

(57) **CLAIM**

The ornamental design for a drawer organizer, as shown and described.

**DESCRIPTION**

FIG. 1 is a perspective view of the drawer organizer according to the invention;

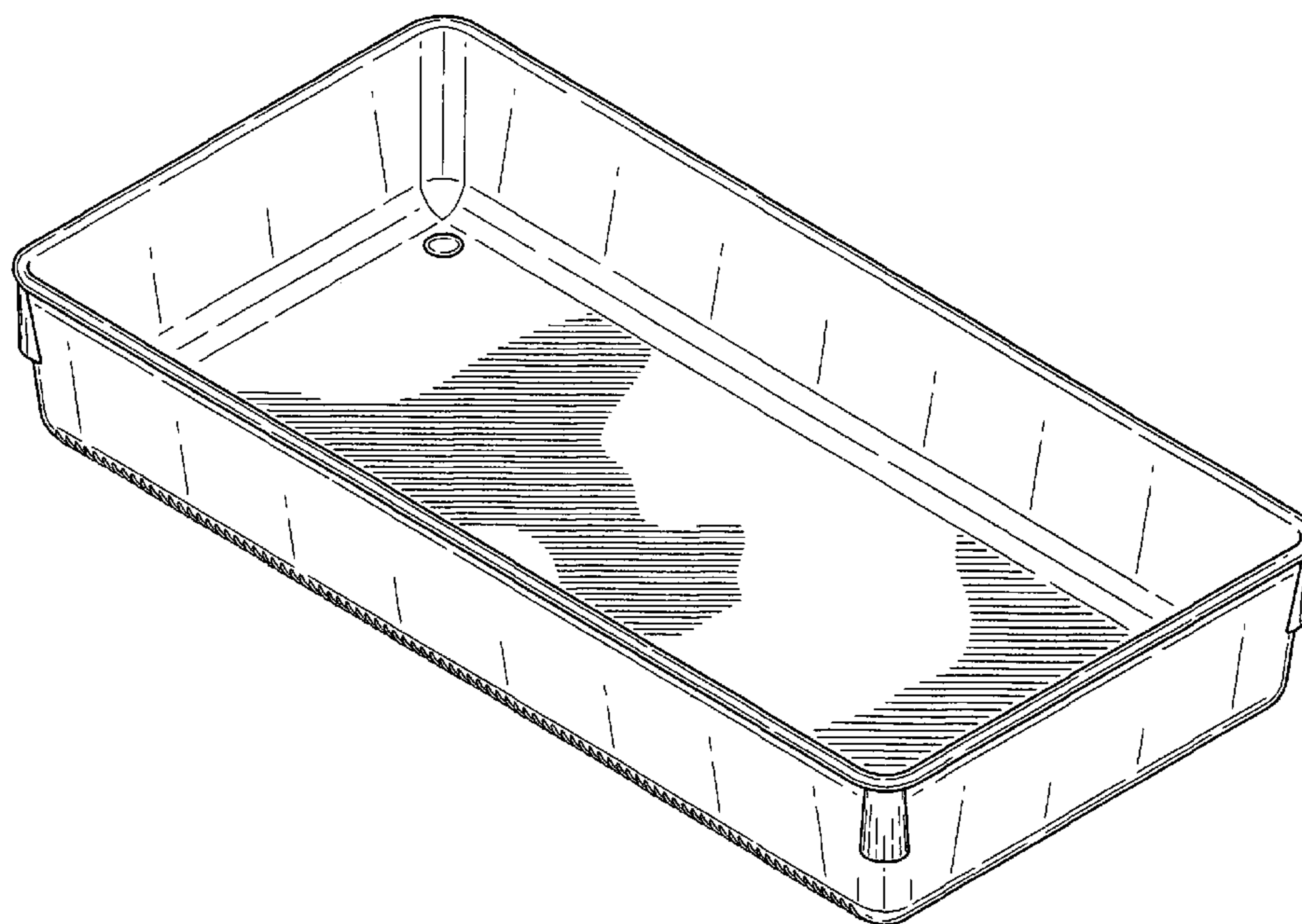
FIG. 2 is a top view of the drawer organizer as shown in FIG. 1;

FIG. 3 is a bottom view of the drawer organizer as shown in FIG. 1;

FIG. 4 is a side view of the drawer organizer as shown in FIG. 1; and,

FIG. 5 is a front/rear view of the drawer organizer as shown in FIG. 1.

**1 Claim, 3 Drawing Sheets**



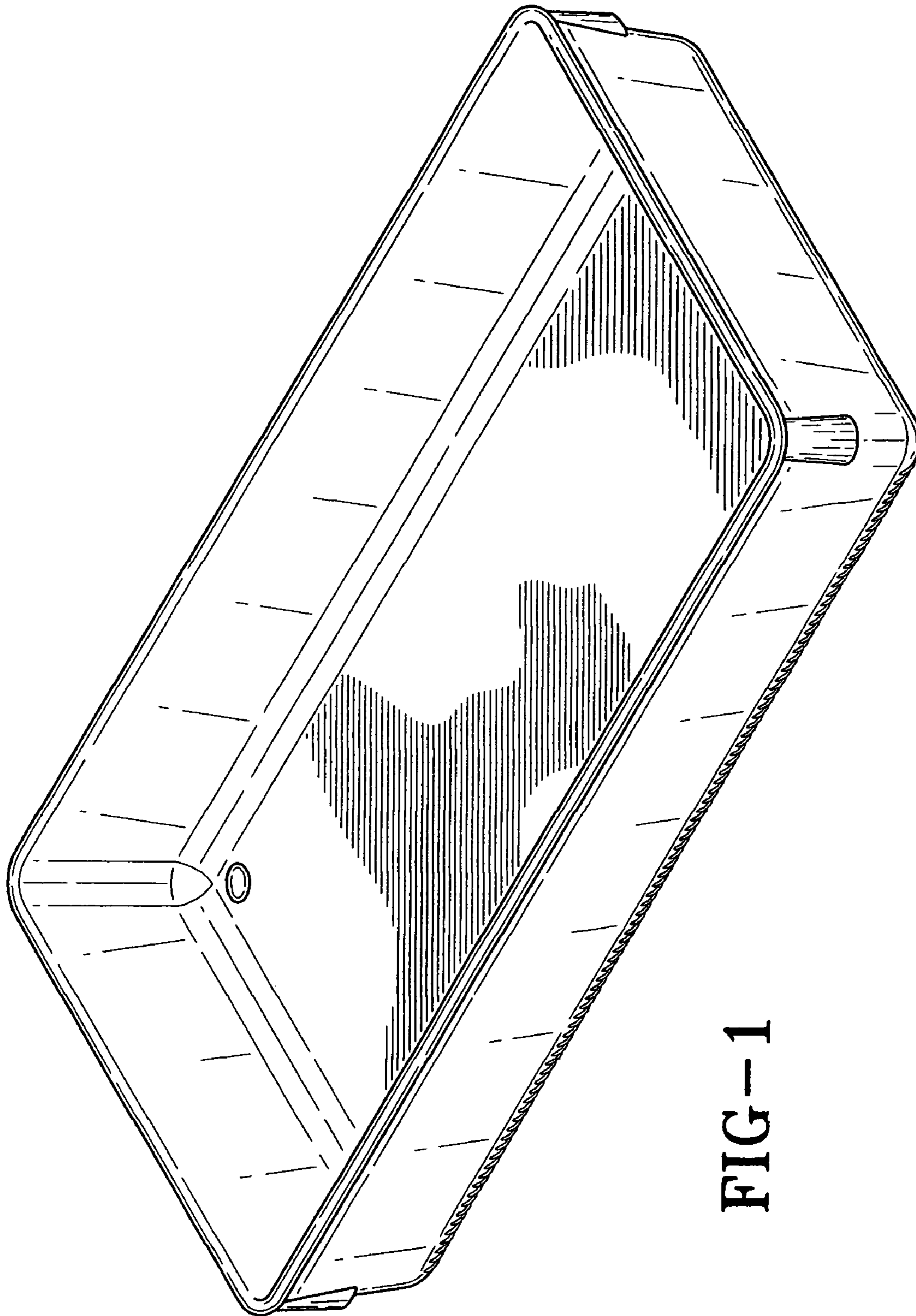


FIG--1

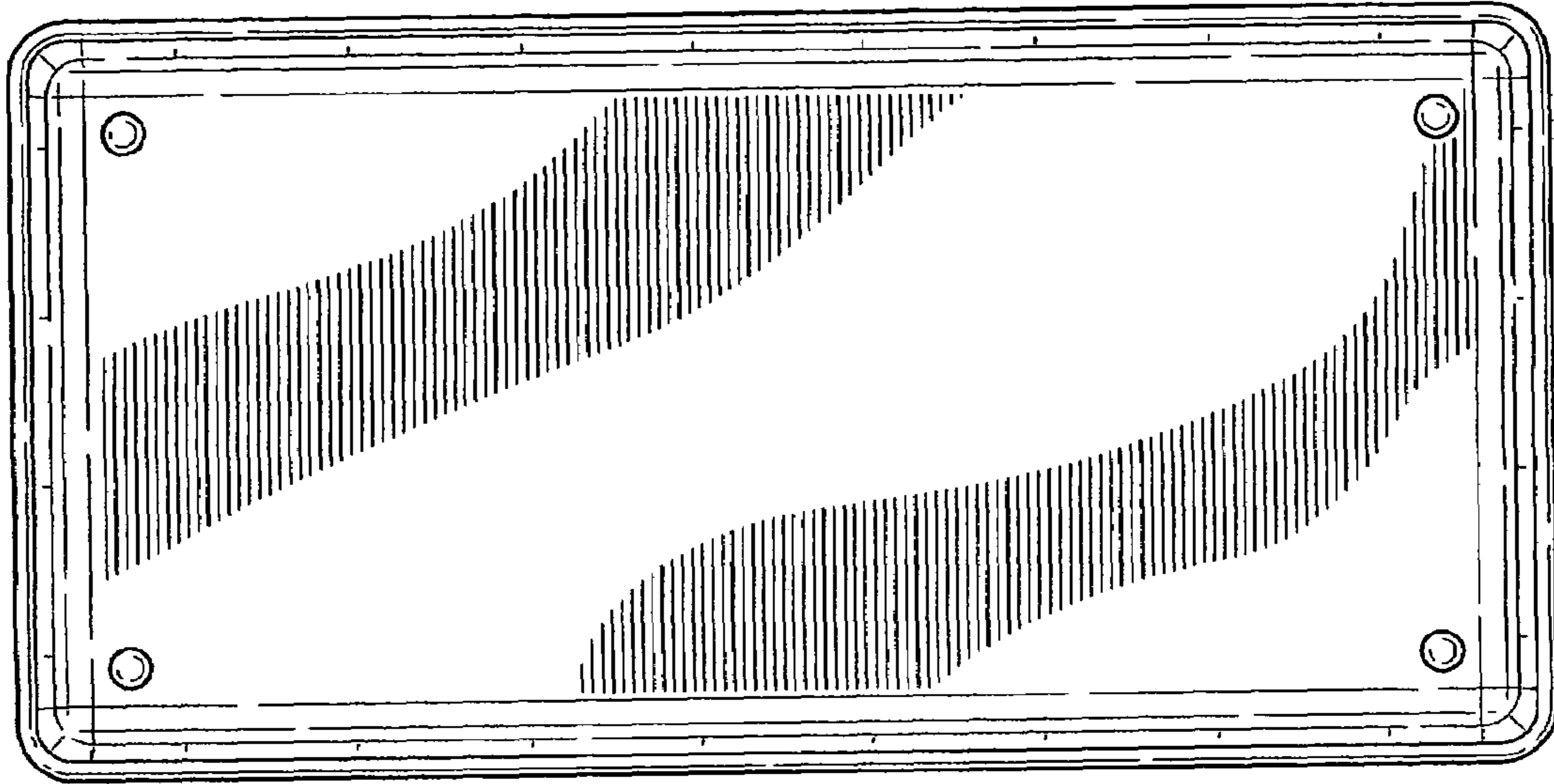


FIG-2

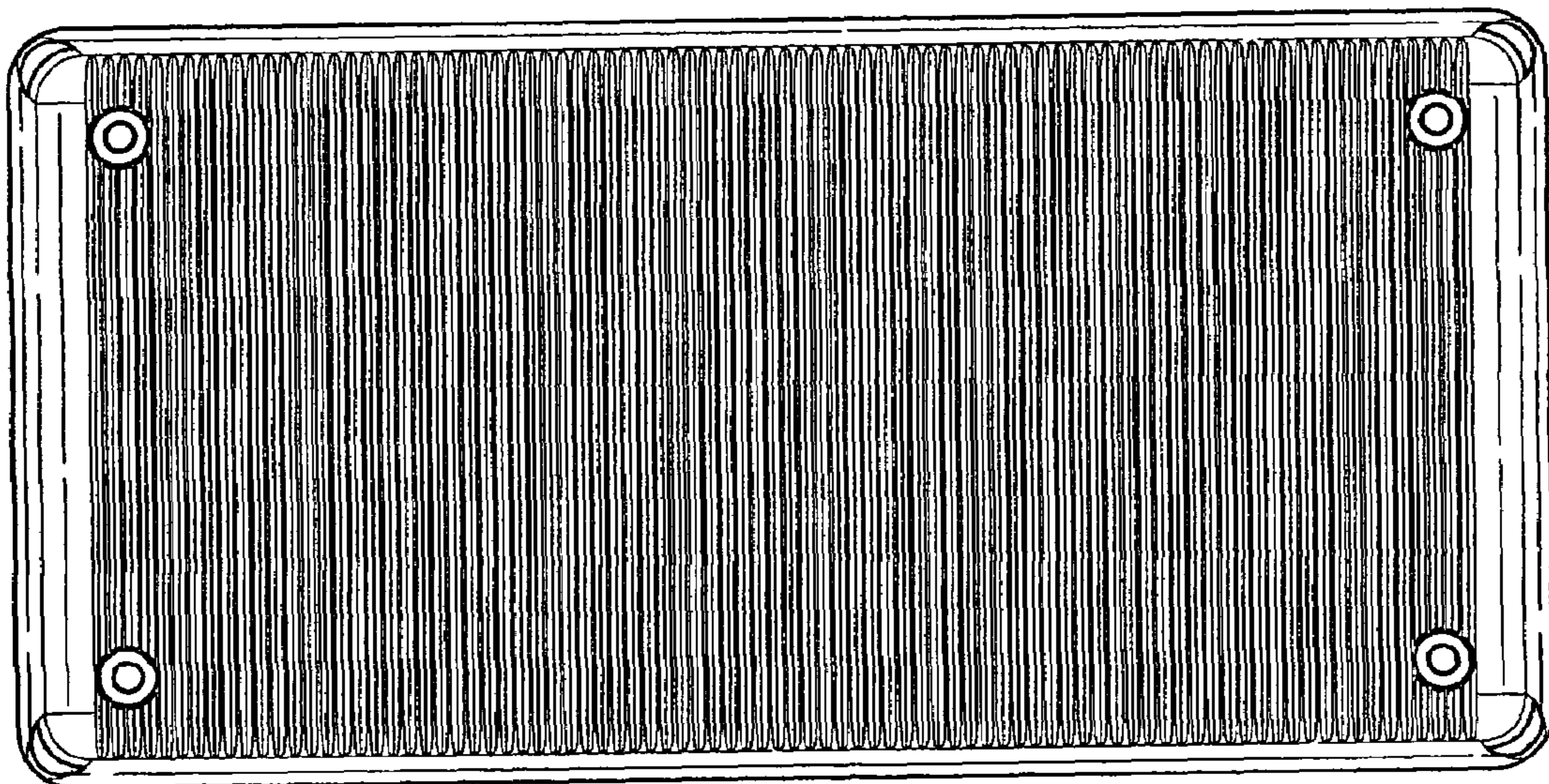


FIG-3

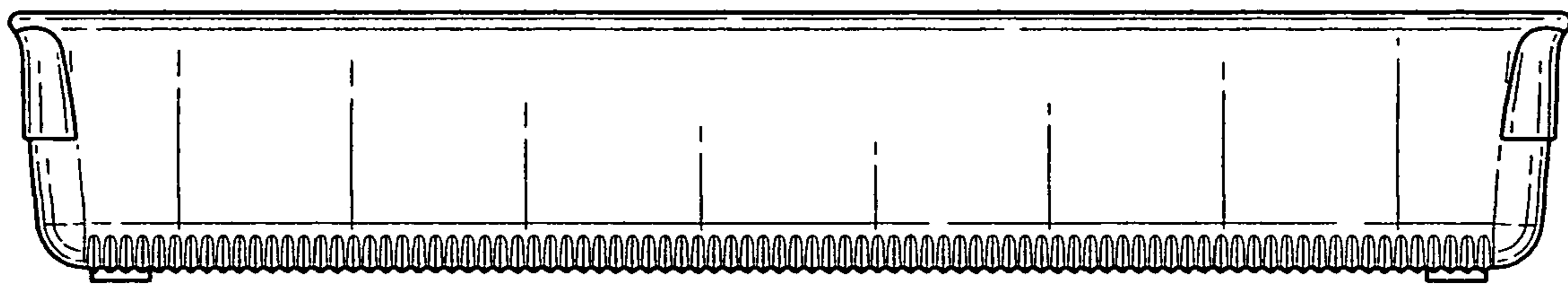


FIG-4

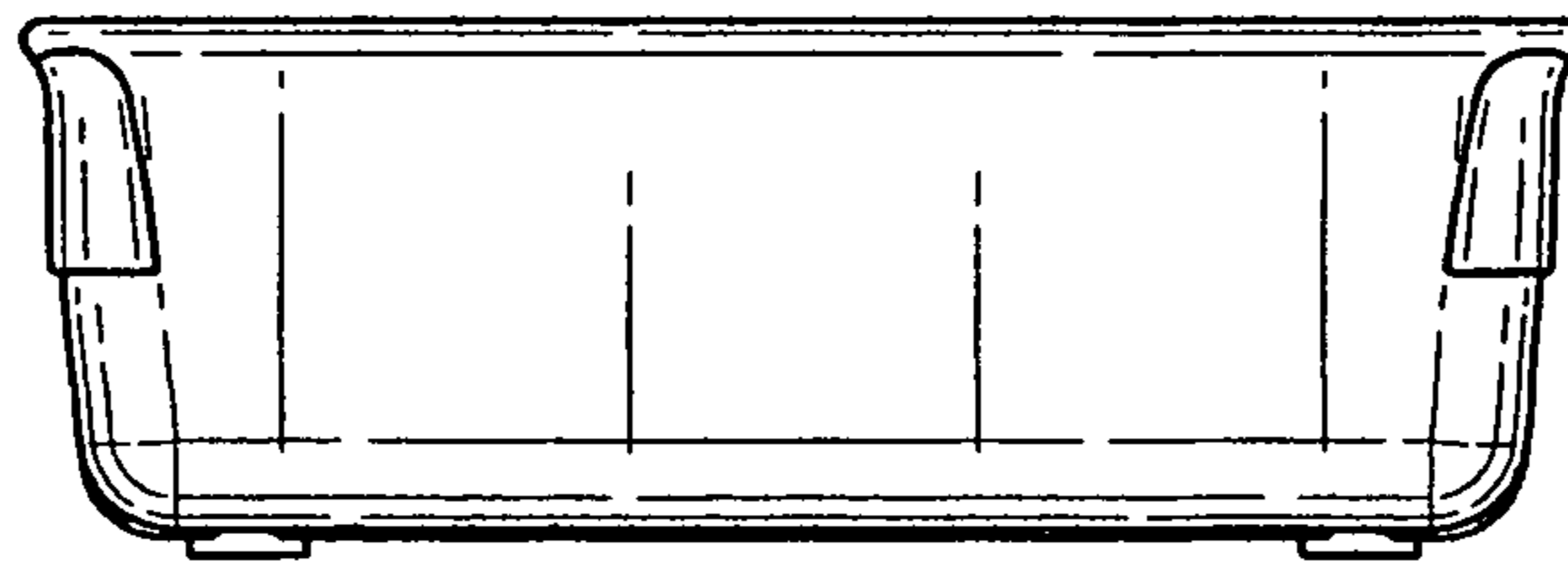


FIG-5