



US00D555903S

(12) **United States Design Patent**  
**Hammer**

(10) **Patent No.:** **US D555,903 S**

(45) **Date of Patent:** **\*\* Nov. 27, 2007**

(54) **CARDBOARD FOLDING SUITCASE**

(76) **Inventor:** **Melle Hammer**, Shield Mark B.V., P.O.  
Box 75683, 1070 AR Amsterdam (NL)

(\*\*) **Term:** **14 Years**

(21) **Appl. No.:** **29/254,260**

(22) **Filed:** **Feb. 21, 2006**

(51) **LOC (8) Cl.** ..... **03-01**

(52) **U.S. Cl.** ..... **D3/299; D3/282; D3/900;**  
D19/26

(58) **Field of Classification Search** ..... D3/245-246,  
D3/273, 282, 299, 900; D9/415, 422, 433;  
D19/26-27, 32; 190/902; 206/193, 730-731,  
206/733; 229/103.2-103.3, 116.1, 938  
See application file for complete search history.

(56) **References Cited**

**U.S. PATENT DOCUMENTS**

1,571,475	A *	2/1926	Guenther	.....	383/10
2,501,037	A *	3/1950	Fox	.....	294/158
D171,260	S *	1/1954	Kittner	.....	D3/20
D198,116	S *	4/1964	Pohlmann	.....	D3/282
D235,036	S *	4/1975	Kuramochi	.....	D3/269
D260,202	S *	8/1981	Middleton, Jr.	.....	D3/269
D269,646	S *	7/1983	Schaer	.....	D3/301

D309,555	S *	7/1990	Kime	.....	D7/605
5,060,850	A *	10/1991	Weaver	.....	229/117.06
D369,677	S *	5/1996	Bussmann et al.	.....	D3/282
D385,187	S *	10/1997	Loft	.....	D9/433
6,062,466	A *	5/2000	Itey	.....	229/103.3
6,070,628	A *	6/2000	Nastasi	.....	150/118
2005/0211578	A1 *	9/2005	Libit	.....	206/200

**OTHER PUBLICATIONS**

Economy Portfolio, Blick Art Materials. Downloaded Apr. 9, 2007  
at <http://www.dickblick.com/zz151/02/>.\*

\* cited by examiner

*Primary Examiner*—Philip S. Hyder

*Assistant Examiner*—RoseLynne (Ulm) Cody

(74) *Attorney, Agent, or Firm*—Collen IP; Donald J. Ranft

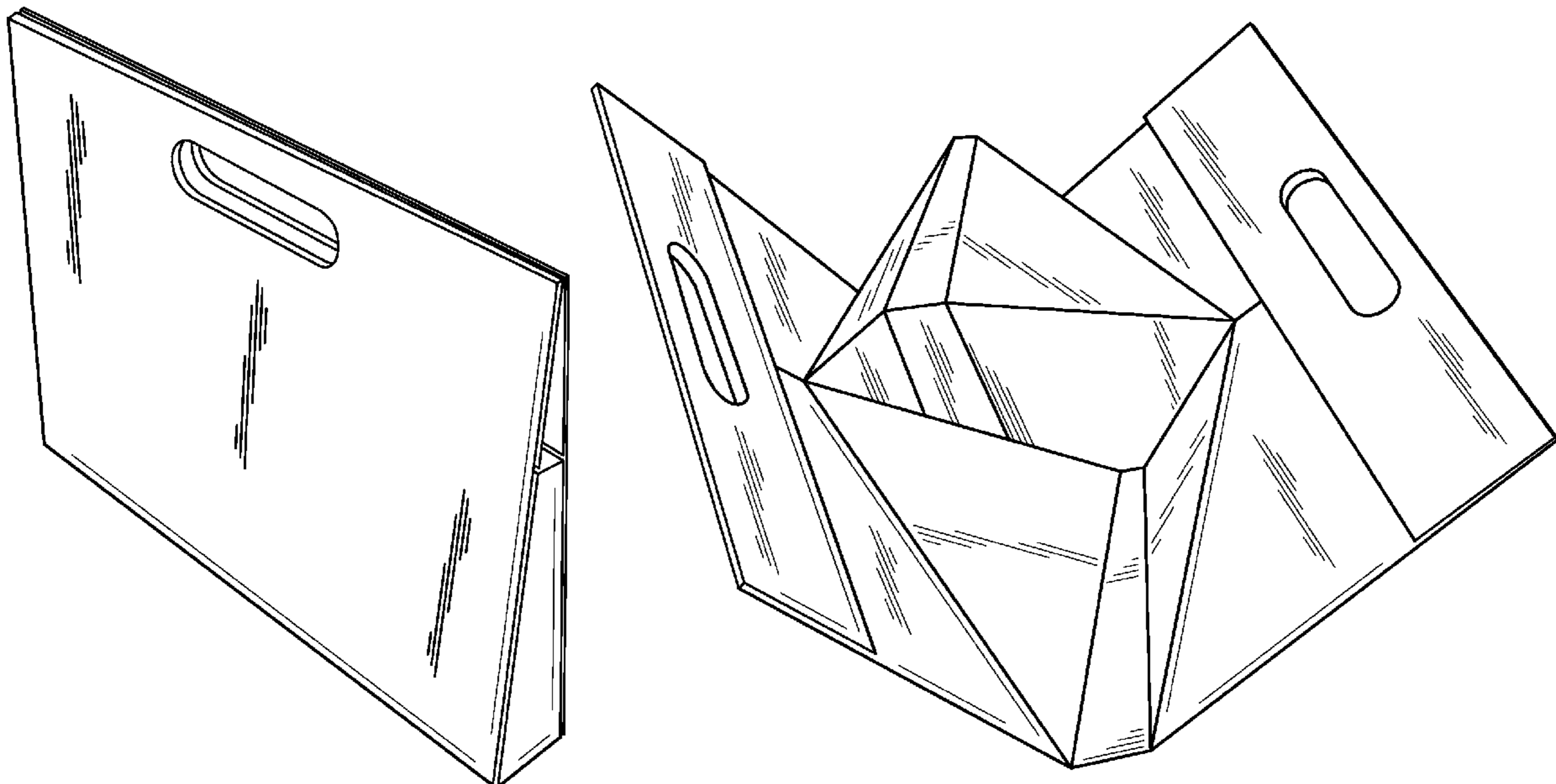
(57) **CLAIM**

The ornamental design for a cardboard folding suitcase, as  
shown and described.

**DESCRIPTION**

FIG. 1 is a perspective view of my new and ornamental  
design for a cardboard folding suitcase in an open state;  
FIG. 2 is a perspective view thereof in a closed state; and,  
FIG. 3 is a perspective view thereof in a semi-folded state.

**1 Claim, 2 Drawing Sheets**



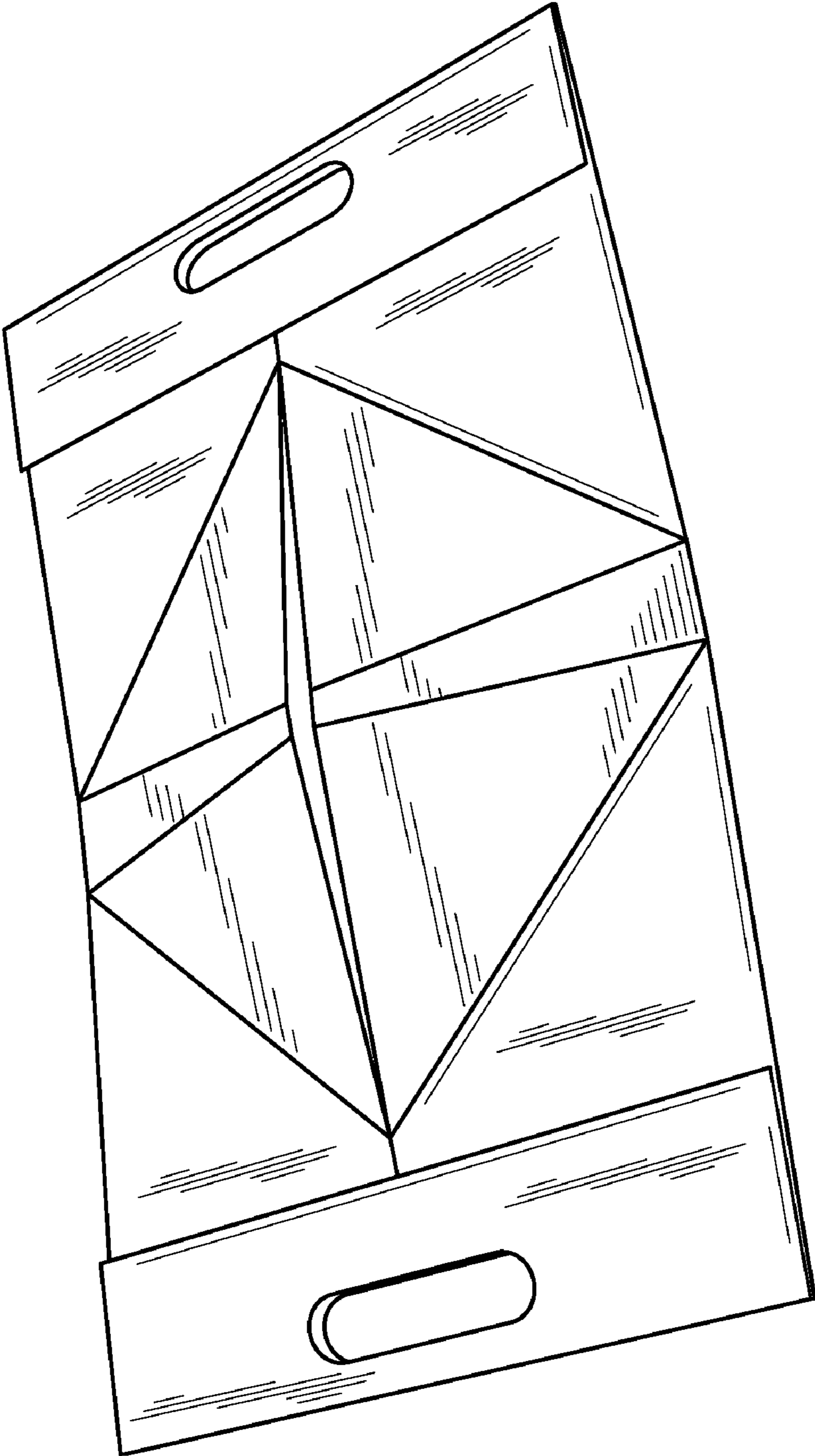


FIG. 1

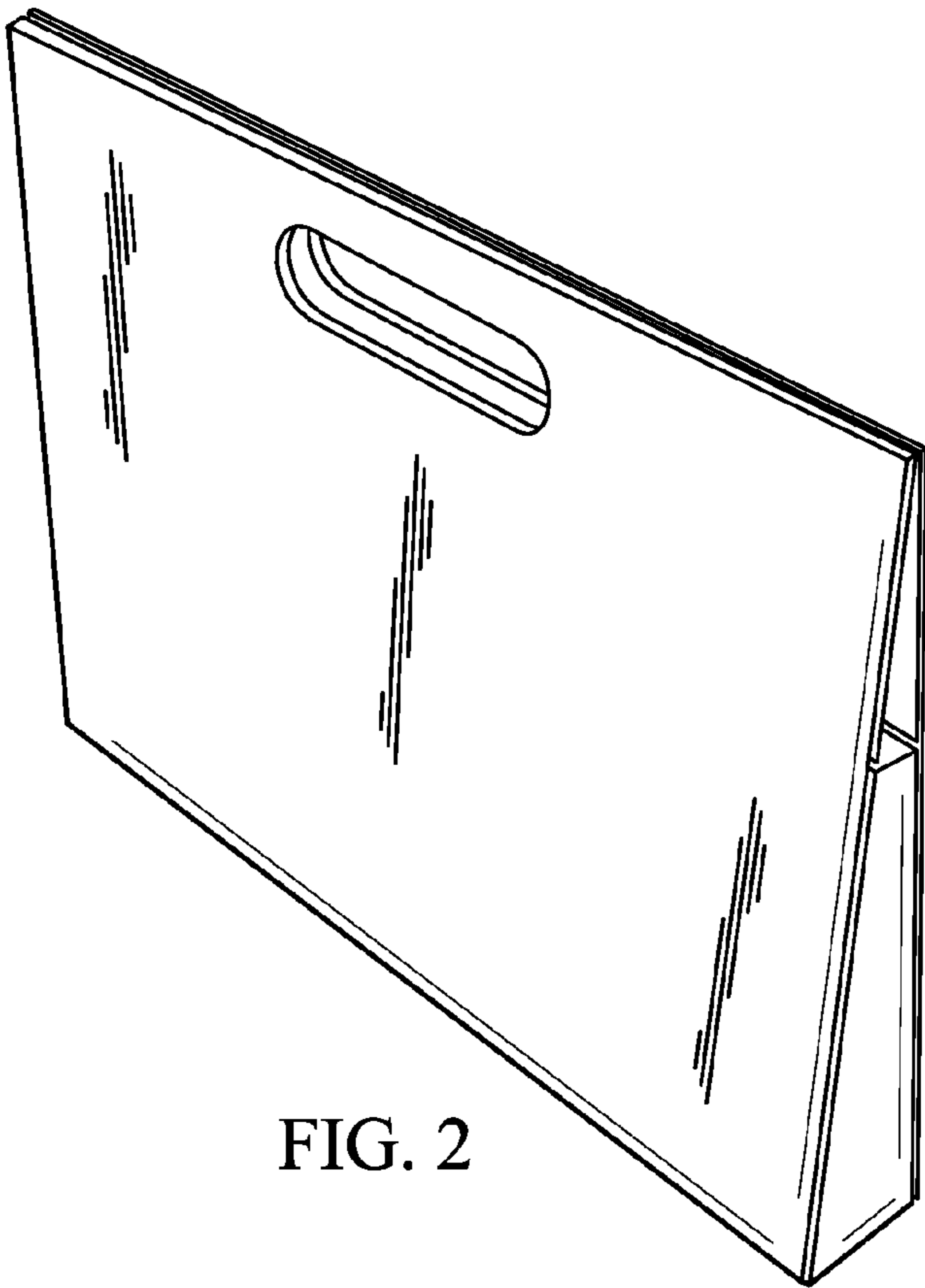


FIG. 2

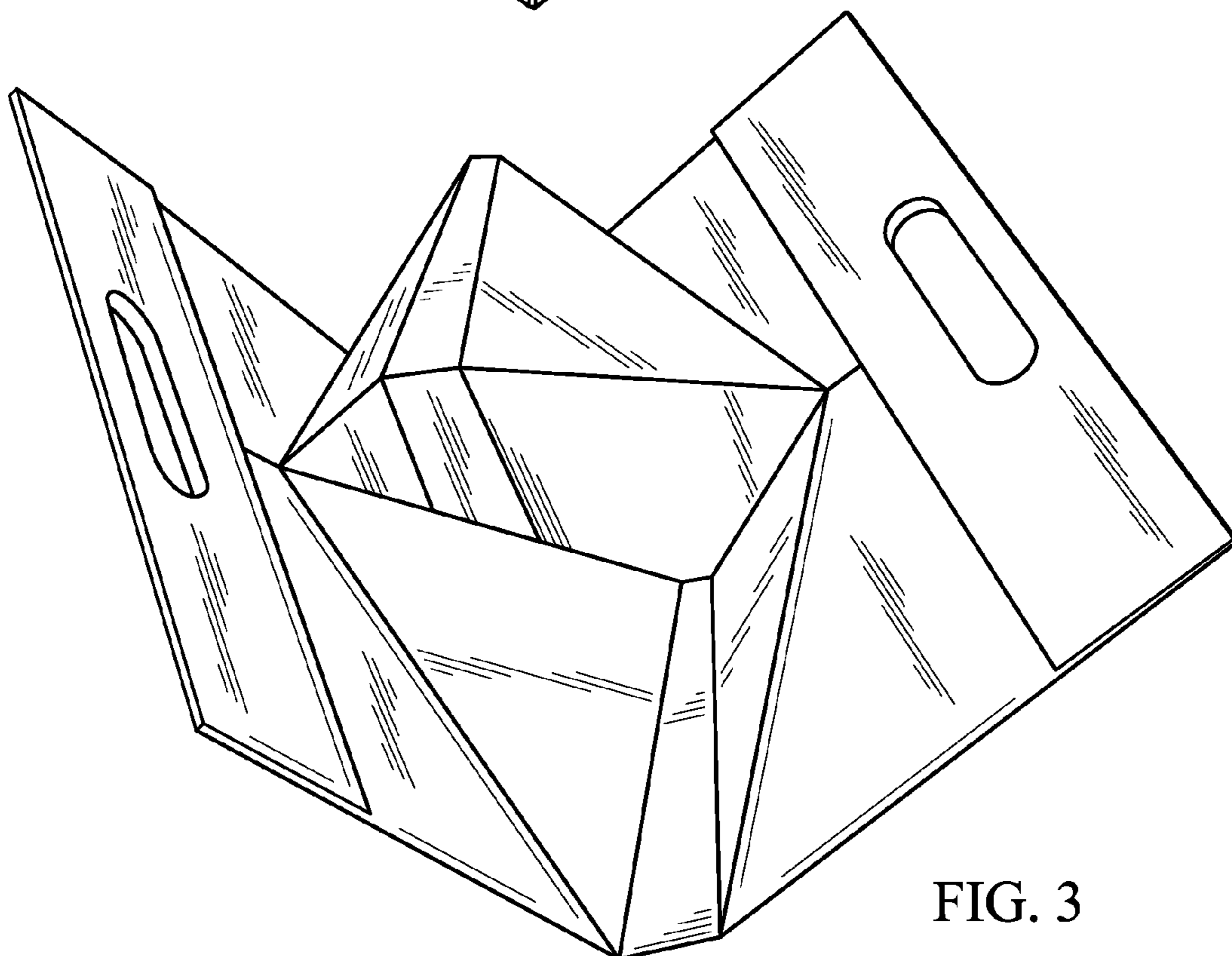


FIG. 3