



US00D555902S

(12) **United States Design Patent**
Pendergraph et al.

(10) **Patent No.:** **US D555,902 S**

(45) **Date of Patent:** **** Nov. 27, 2007**

- (54) **CASE FOR TOOL ACCESSORIES**
- (75) Inventors: **Melvin A. Pendergraph**, Arlington Heights, IL (US); **Douglas L. Collins**, Crystal Lake, IL (US); **Hagen W. Dost**, Chicago, IL (US); **Paul D. Hatch**, Chicago, IL (US); **Kristian Buschmann**, Chicago, IL (US)
- (73) Assignee: **Credo Technology Corporation**, Wilmington, DE (US)

6,926,143	B1 *	8/2005	Chen	206/378
D514,807	S *	2/2006	Concari et al.	D3/273
D515,811	S *	2/2006	Liu	D3/295
D516,310	S	3/2006	Brunson et al.		
D516,808	S	3/2006	Brunson et al.		
D520,744	S *	5/2006	Pangerc et al.	D3/273
7,048,133	B2 *	5/2006	Pangerc et al.	220/4.22
D523,634	S *	6/2006	Dost et al.	D3/273
2005/0173279	A1 *	8/2005	Chen	206/372
2006/0186003	A1 *	8/2006	Dost et al.	206/349
2006/0196793	A1 *	9/2006	Pendergraph et al.	206/372
2006/0201833	A1 *	9/2006	Chen	206/349

(**) Term: **14 Years**

(21) Appl. No.: **29/258,810**

(22) Filed: **Apr. 27, 2006**

- (51) **LOC (8) Cl.** **03-01**
- (52) **U.S. Cl.** **D3/273; D3/905**
- (58) **Field of Classification Search** D3/201, D3/273, 294-295, 298, 905; 206/315.11, 206/349, 372-373, 376-379

See application file for complete search history.

(56) **References Cited**

U.S. PATENT DOCUMENTS

D418,977	S *	1/2000	Streich	D3/273
D422,787	S *	4/2000	Feng	D3/273
D432,304	S *	10/2000	Zurwelle et al.	D3/281
D437,684	S *	2/2001	Streich et al.	D3/273
D438,004	S *	2/2001	Watson et al.	D3/276
6,213,296	B1 *	4/2001	Streich et al.	206/373
D447,634	S *	9/2001	Snider	D3/294
6,405,864	B1 *	6/2002	Streich et al.	206/373
D478,209	S *	8/2003	Chen	D3/282
D482,529	S *	11/2003	Hardigg et al.	D3/276
6,698,609	B2 *	3/2004	Pangerc et al.	220/23.87
6,755,302	B1 *	6/2004	Streich et al.	206/373

* cited by examiner

Primary Examiner—Gary D. Watson

Assistant Examiner—R. L. (Ulm) Cody

(74) *Attorney, Agent, or Firm*—Victor A. Henzi

(57) **CLAIM**

The ornamental design for a case for tool accessories, as shown and described.

DESCRIPTION

FIG. 1 is a front right perspective view of the present new design for a case for tool accessories;

FIG. 2 is a right elevational view thereof;

FIG. 3 is a left elevational view thereof;

FIG. 4 is a top plan view thereof;

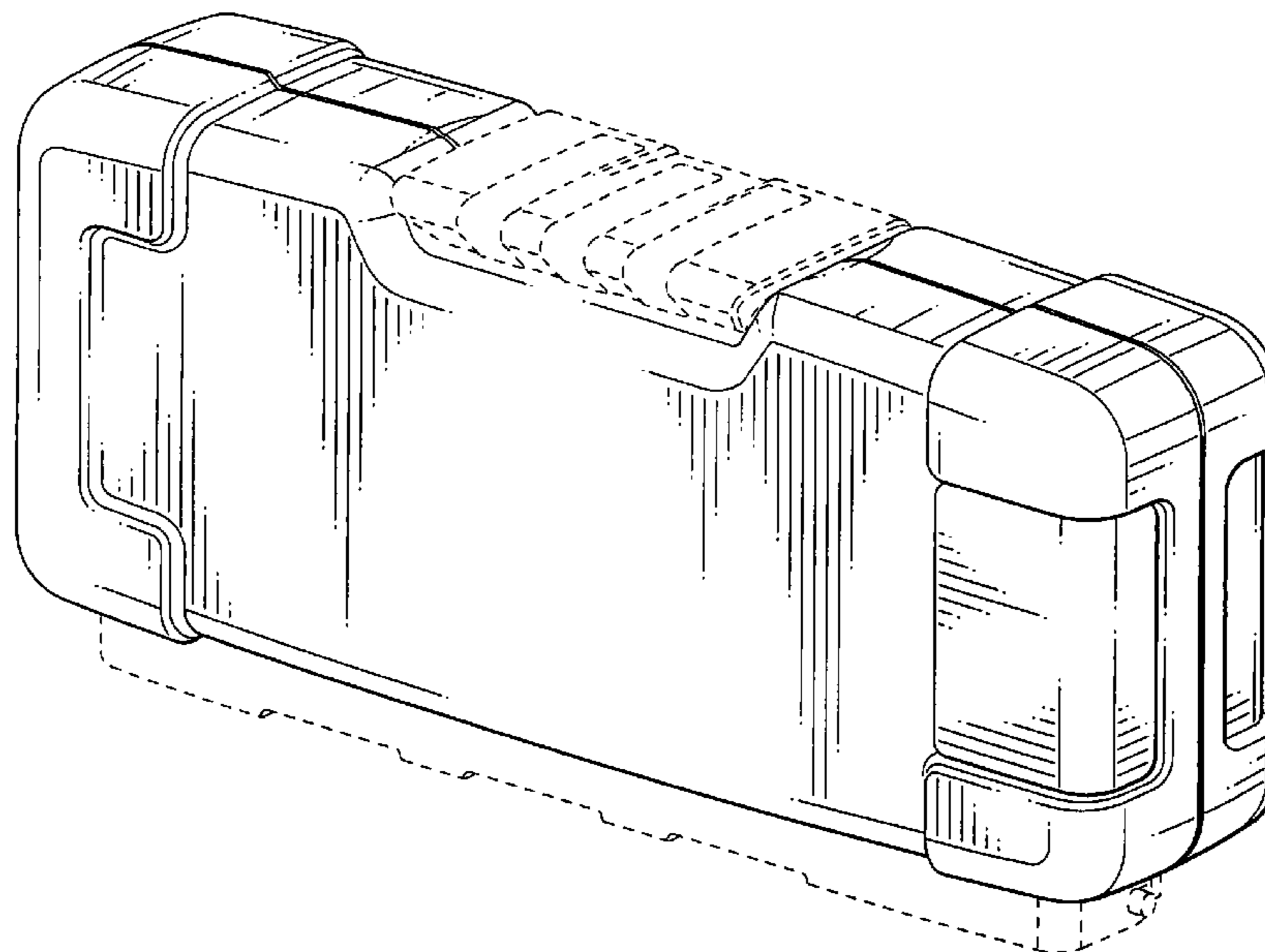
FIG. 5 is a bottom plan view thereof;

FIG. 6 is a rear elevational view thereof; and,

FIG. 7 is a front elevational view thereof.

The broken lines showing various portions of a case for tool accessories are for illustrative purposes only and form no part of the claimed design.

1 Claim, 6 Drawing Sheets



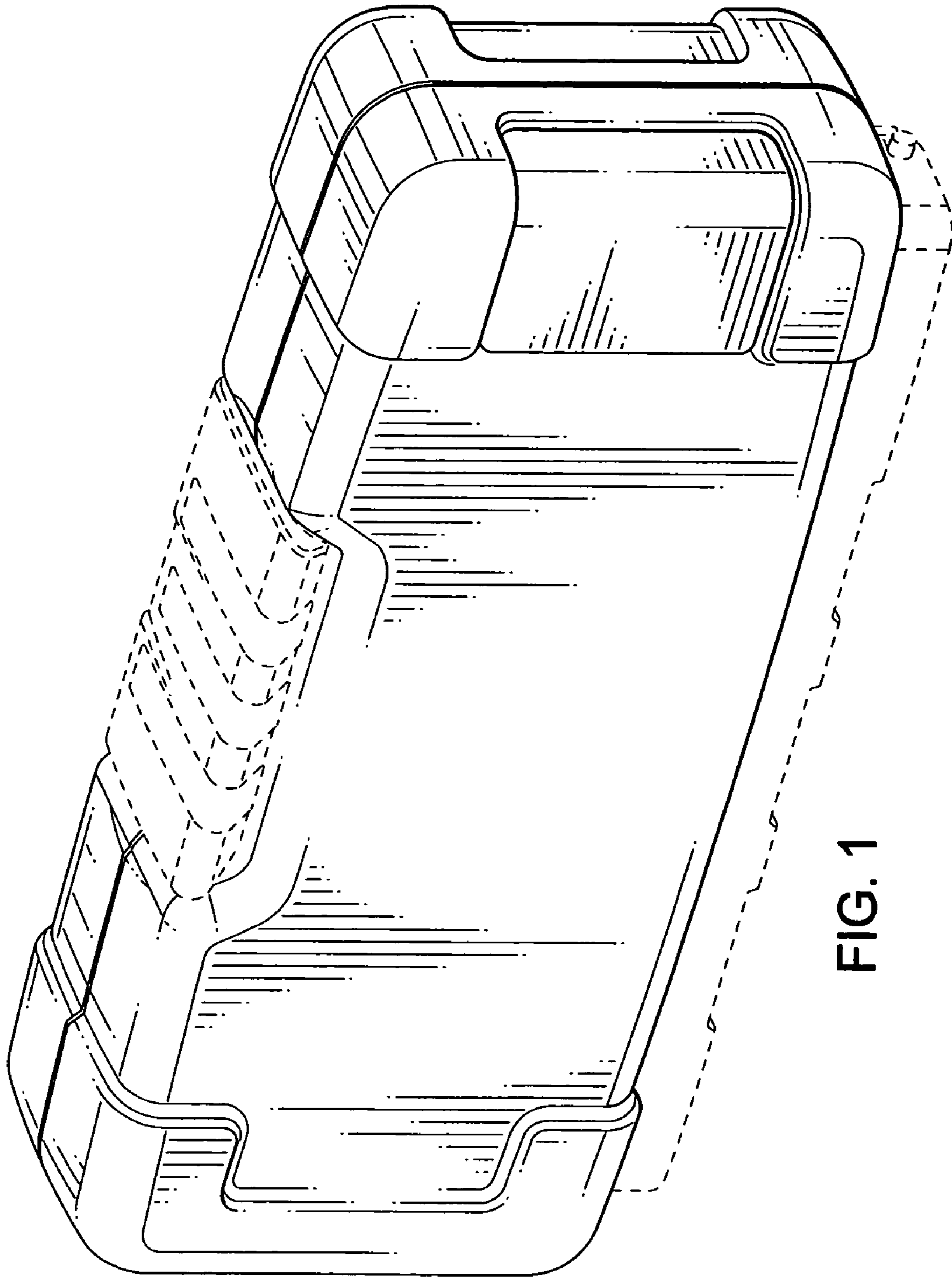


FIG. 1

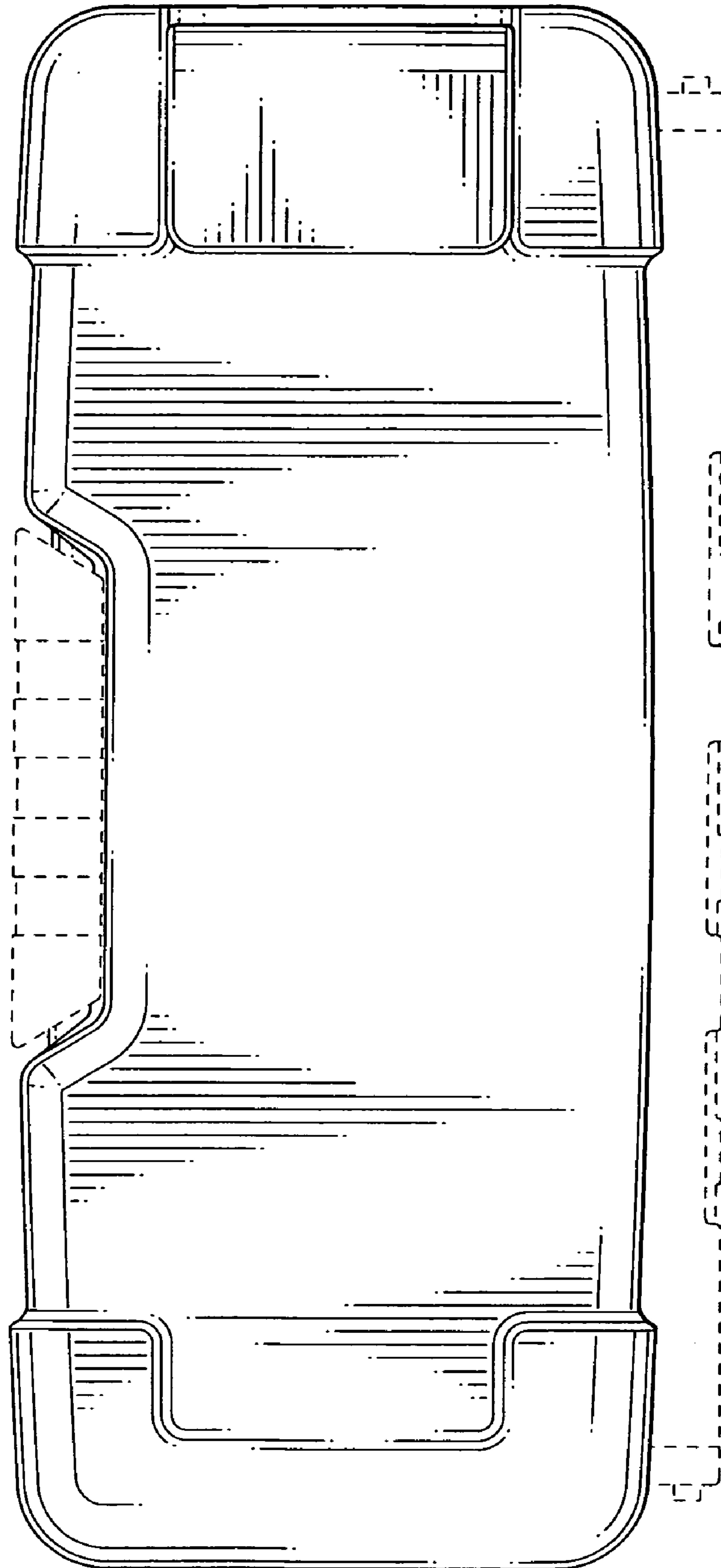


FIG. 2

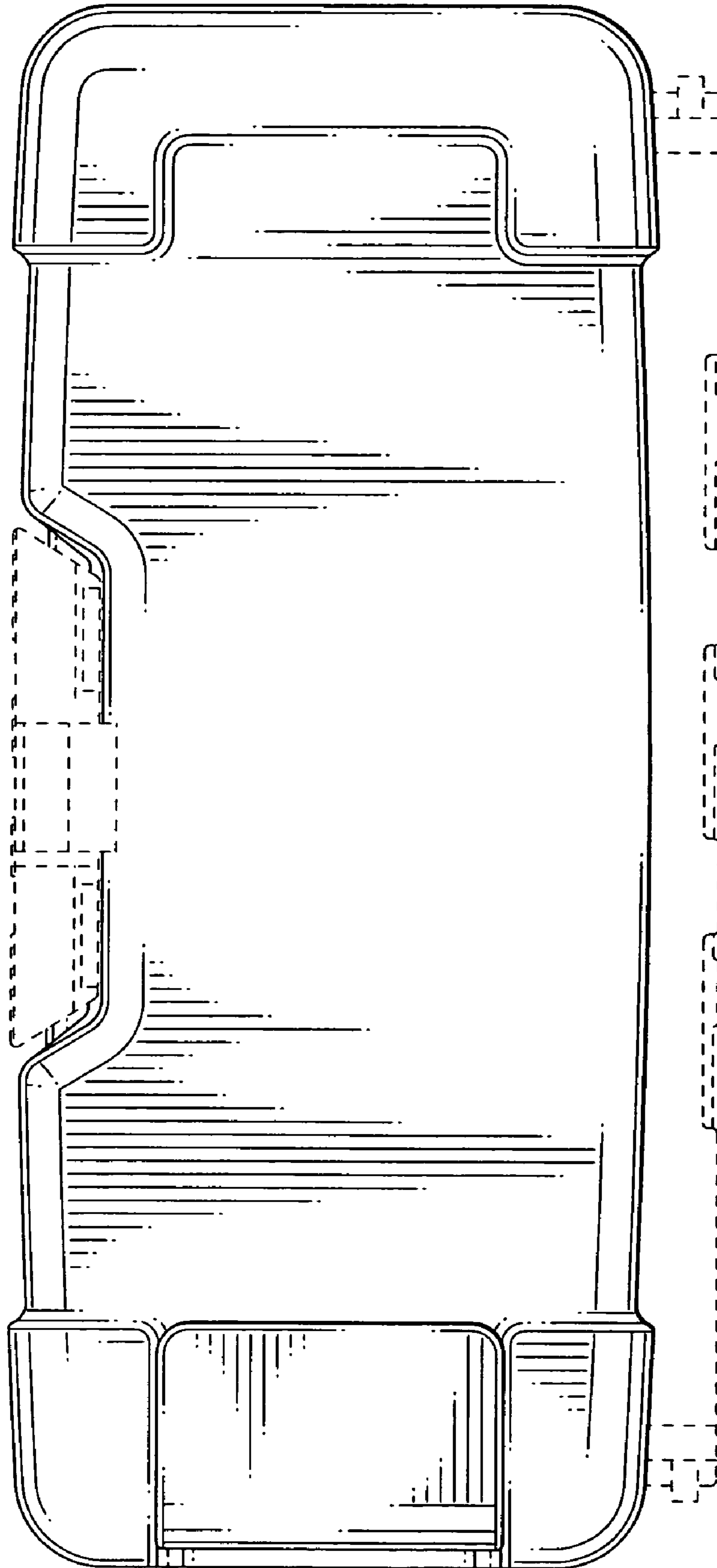


FIG. 3

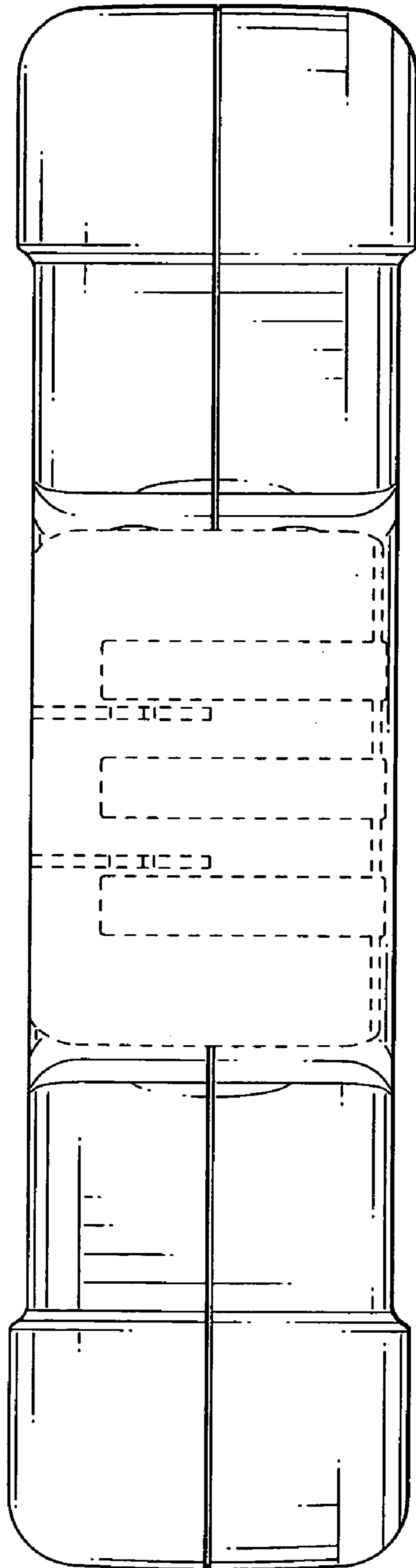


FIG. 4

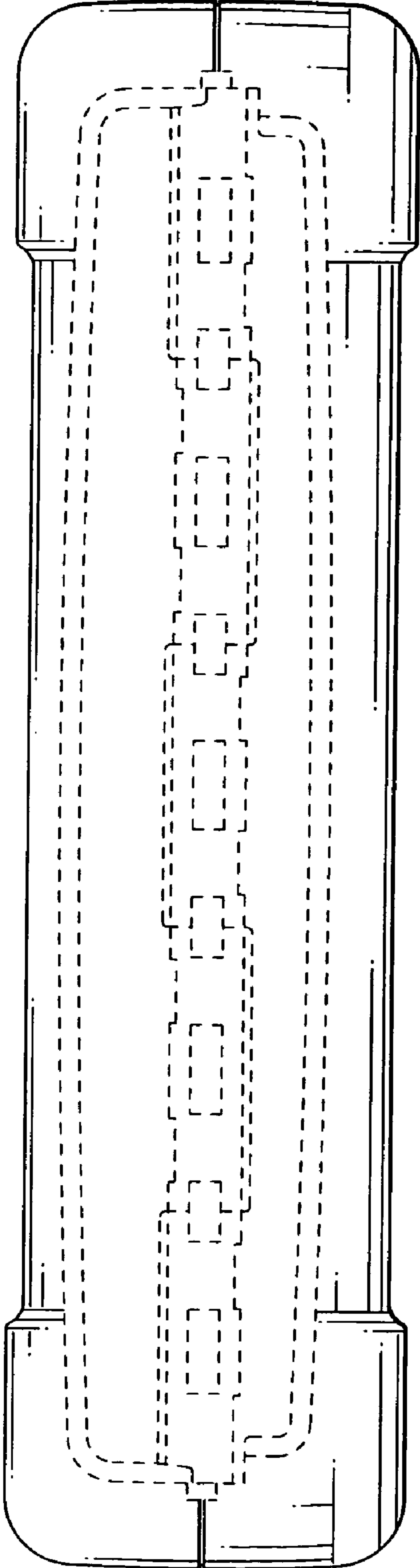


FIG. 5

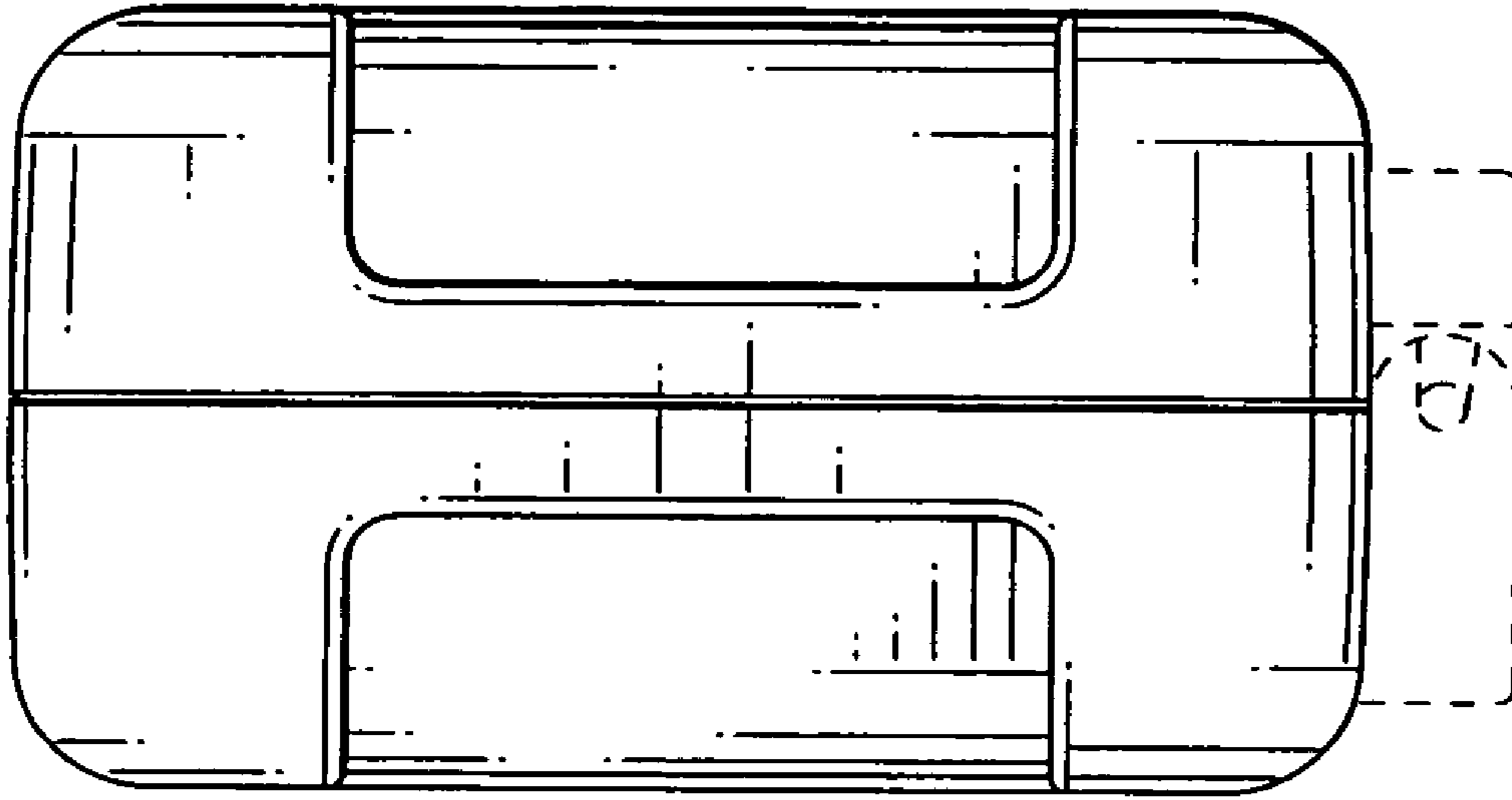


FIG. 7

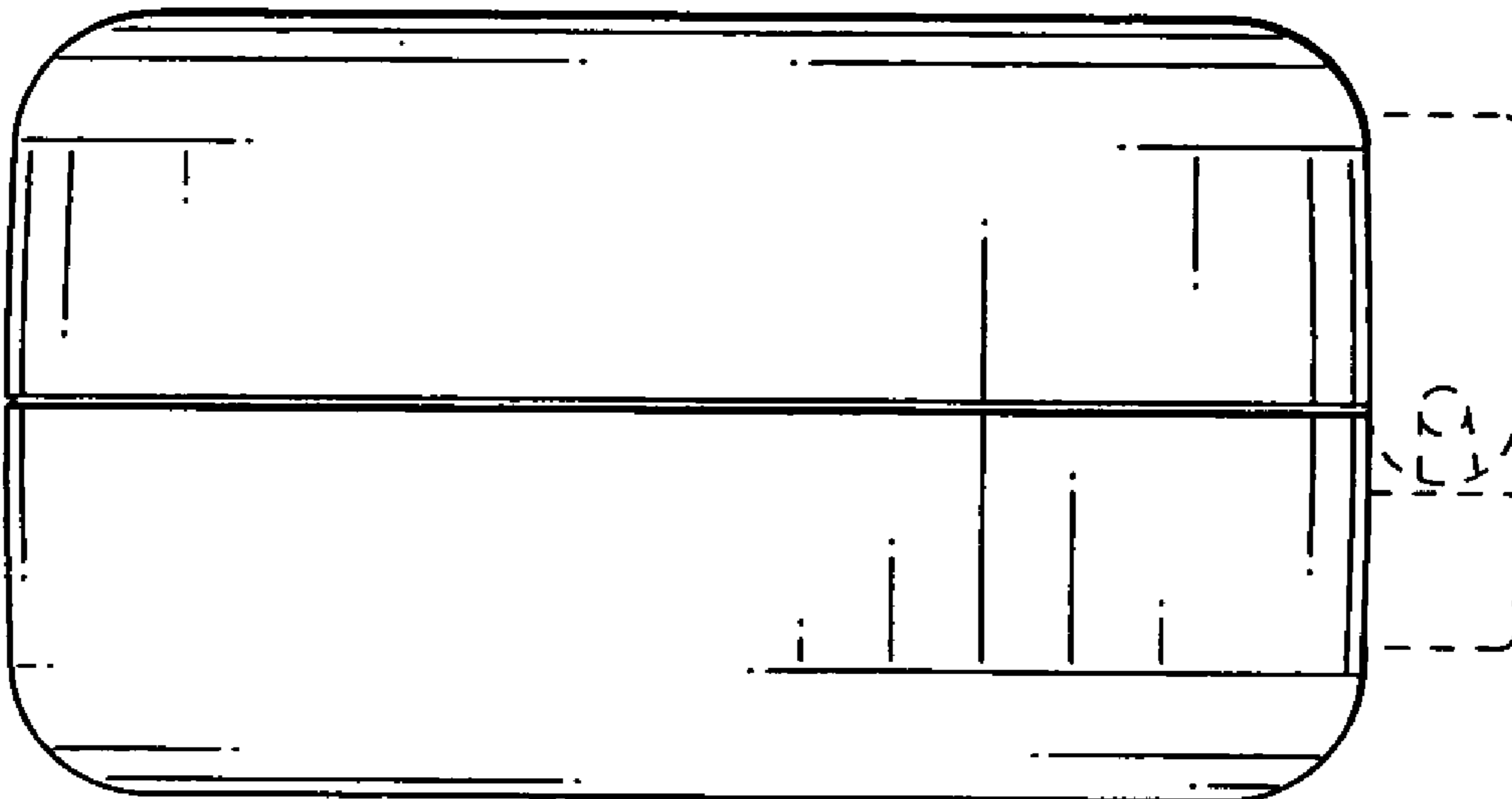


FIG. 6