



US00D555900S

(12) **United States Design Patent**
Pippin

(10) **Patent No.:** **US D555,900 S**

(45) **Date of Patent:** **** Nov. 27, 2007**

(54) **EYEWEAR CASE**

(75) Inventor: **Lance Pippin**, New Orleans, LA (US)

(73) Assignee: **EyeQuiver, LLC**, New Orleans, LA (US)

(**) Term: **14 Years**

(21) Appl. No.: **29/231,059**

(22) Filed: **May 31, 2005**

(51) **LOC (8) Cl.** **03-01**

(52) **U.S. Cl.** **D3/265**

(58) **Field of Classification Search** D3/11,
D3/219, 225, 252, 227-228, 230, 247, 263,
D3/265-266, 294, 303-304, 313, 318-319,
D3/901, 903, 205, 210, 283-241, 281, 905;
206/5, 6; 224/915; D9/414, 420, 422-424,
D9/426; 211/85.1

See application file for complete search history.

(56) **References Cited**

U.S. PATENT DOCUMENTS

D121,595 S *	7/1940	Menn	D3/275
D192,960 S *	6/1962	Buderman	D3/205
3,085,584 A *	4/1963	Hollinger	134/137
D255,038 S *	5/1980	Itakura	D21/385
D352,525 S *	11/1994	Coe	D19/76
D353,712 S *	12/1994	Aalders	D3/265
D369,677 S *	5/1996	Bussmann et al.	D3/282
D428,253 S *	7/2000	Huang	D3/265
D491,804 S *	6/2004	Benedetti	D9/420

D502,807 S *	3/2005	Jaron et al.	D3/273
D506,065 S *	6/2005	Sugino et al.	D3/294
D506,611 S *	6/2005	Hiller et al.	D3/294
D513,873 S *	1/2006	Bochno et al.	D3/294
D540,038 S *	4/2007	Hussaini et al.	D3/294

* cited by examiner

Primary Examiner—Carol Rademaker

Assistant Examiner—Anna J Burmeister

(74) *Attorney, Agent, or Firm*—Werner & Axenfeld, P.C.;
Robert R. Axenfeld; Kristin Nevins

(57) **CLAIM**

The ornamental design for an eyewear case, as shown and described.

DESCRIPTION

FIG. 1 is a front, top, right side perspective view of an eyewear case showing my new design, shown in closed position;

FIG. 2 is a top plan view thereof;

FIG. 3 is a front elevational view thereof;

FIG. 4 is a back elevational view thereof;

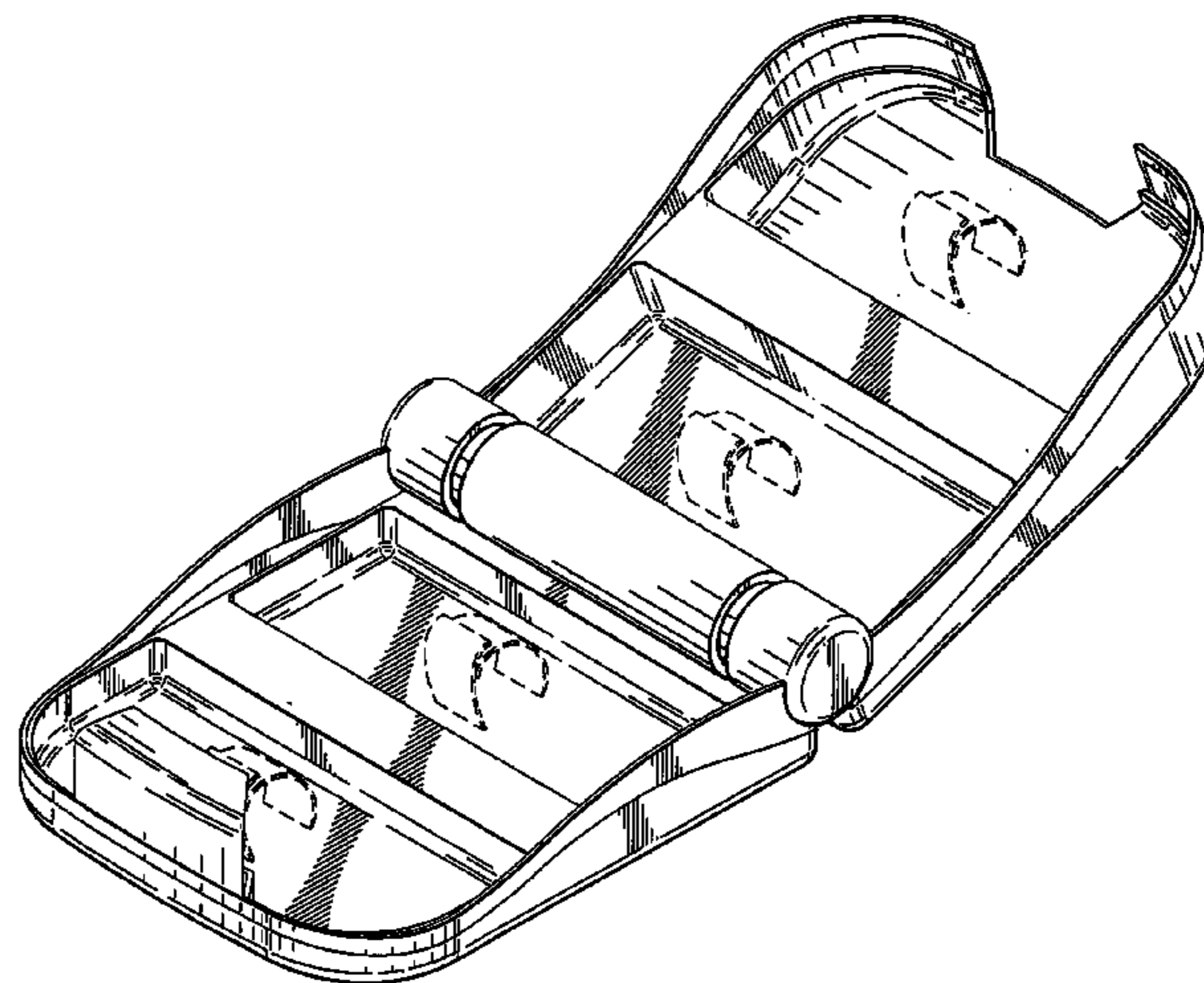
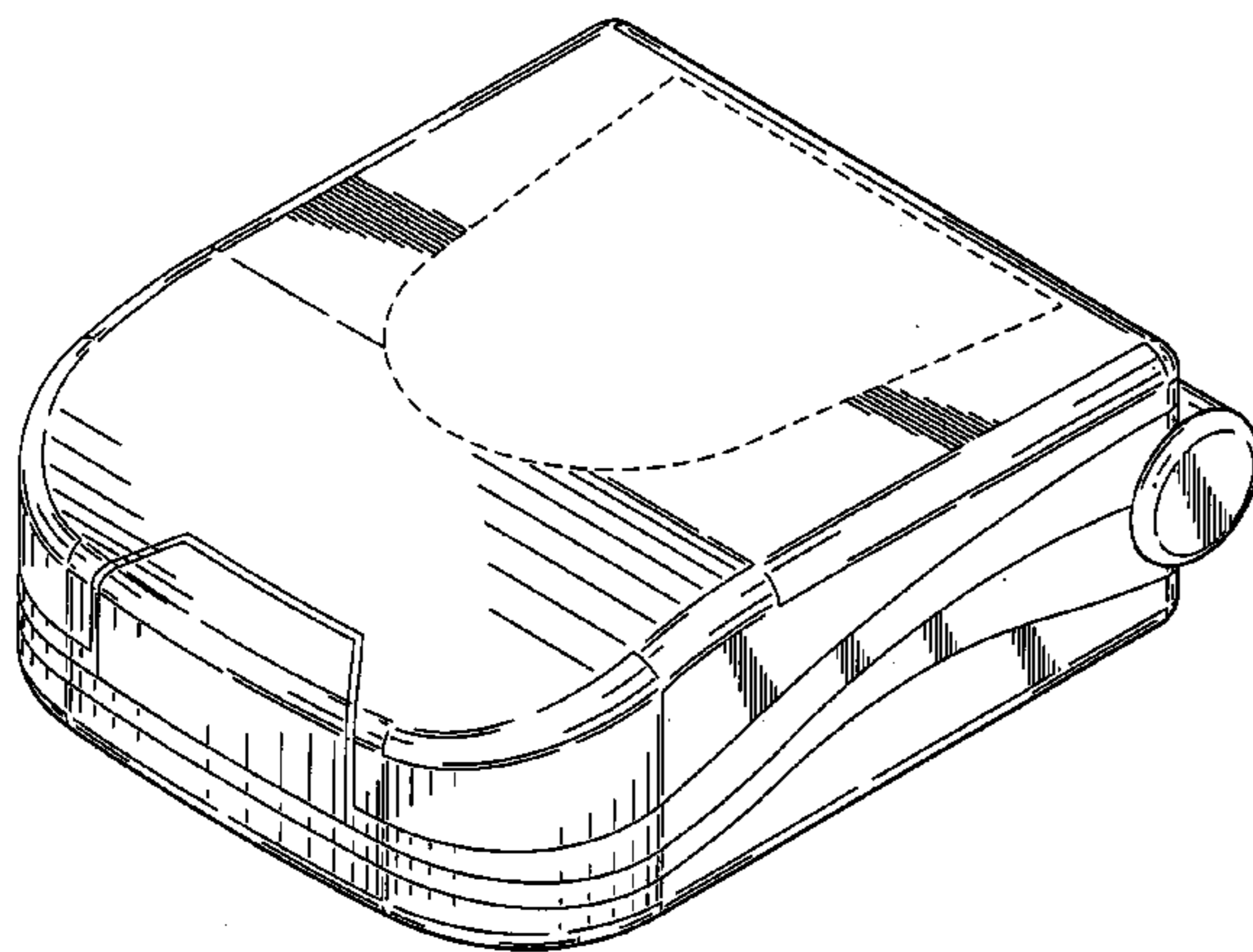
FIG. 5 is a right side elevational view thereof;

FIG. 6 is a top plan view thereof, shown in opened position; and,

FIG. 7 is a top, front, right side perspective view thereof.

The broken lines shown in the drawings are for illustrative purposes only and form no part of the claimed design.

1 Claim, 6 Drawing Sheets



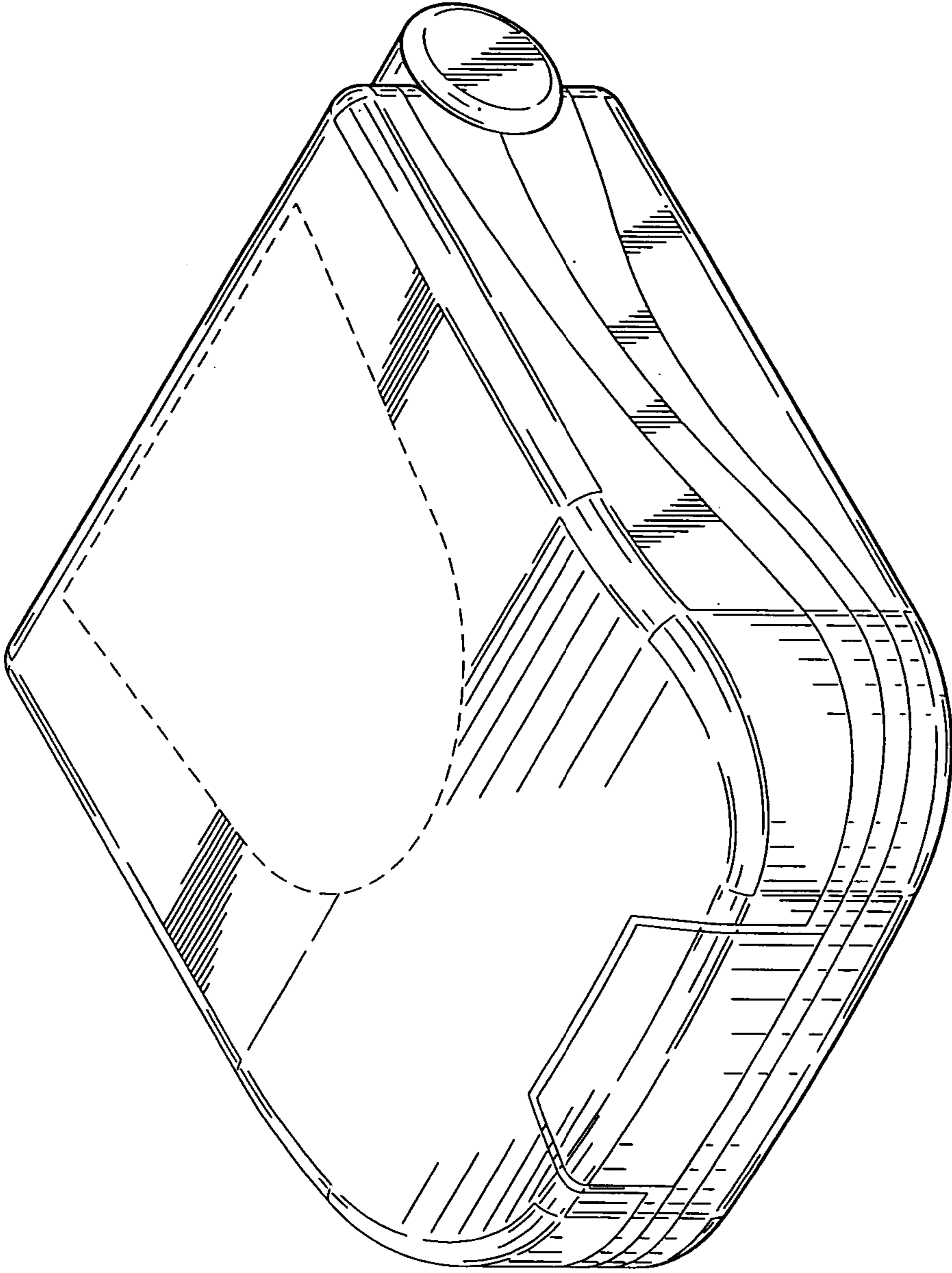


FIG. 1

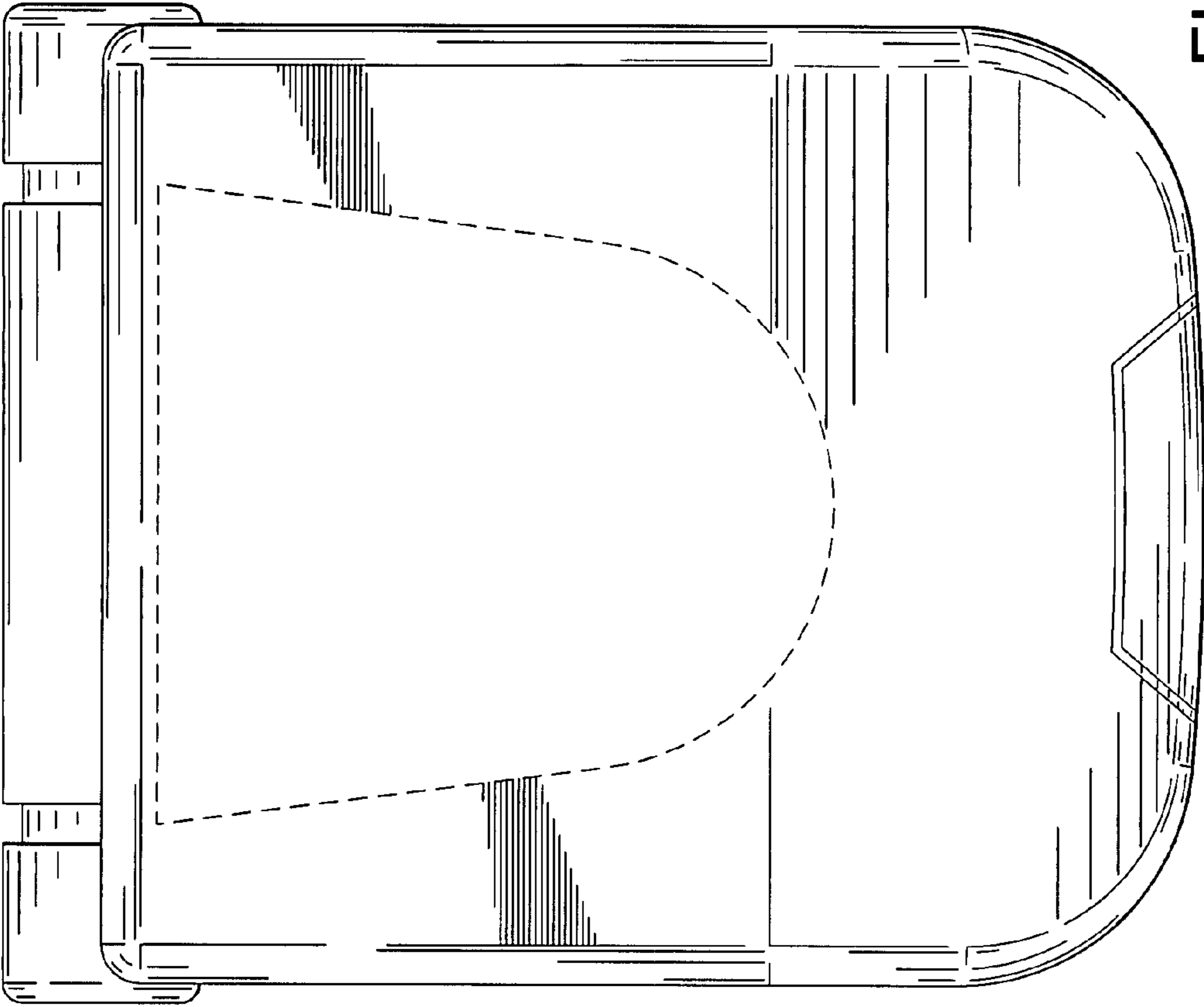


FIG. 2

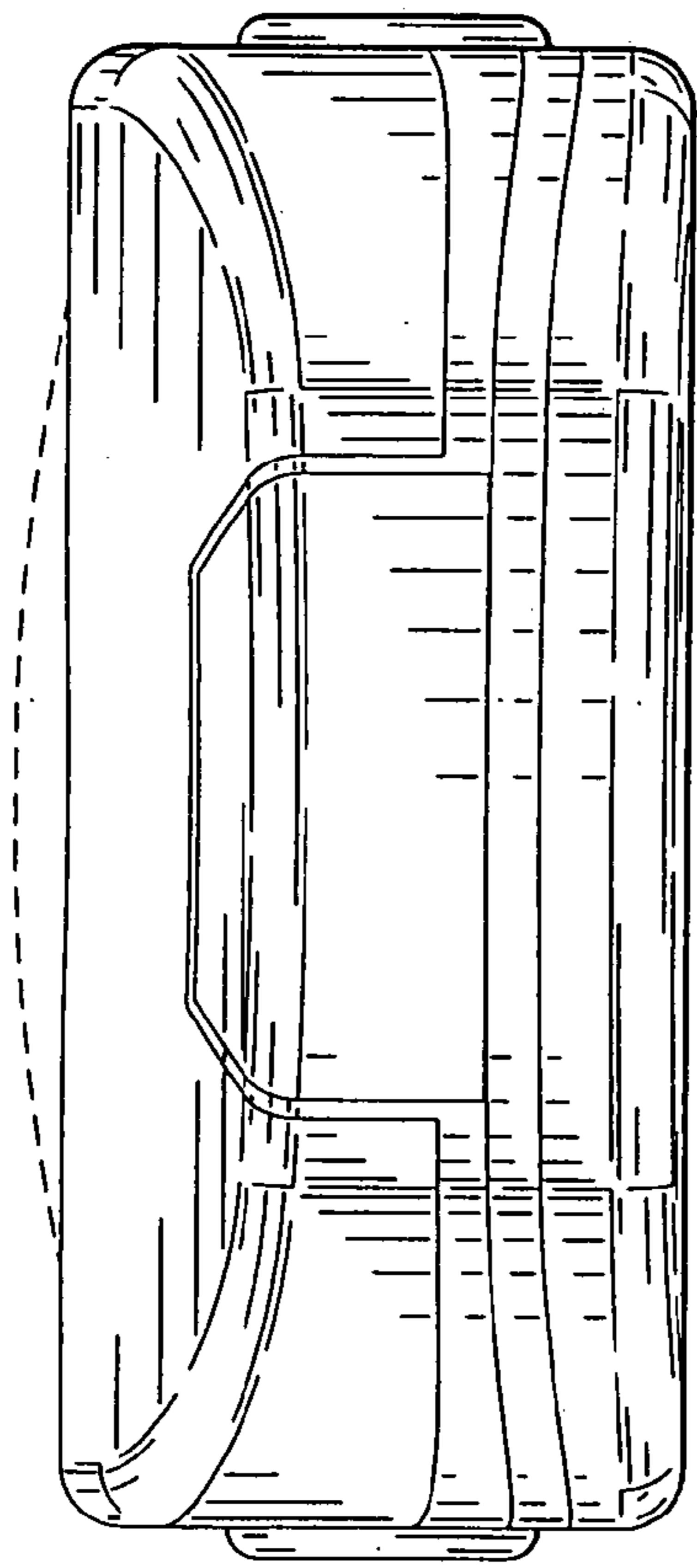


FIG. 3

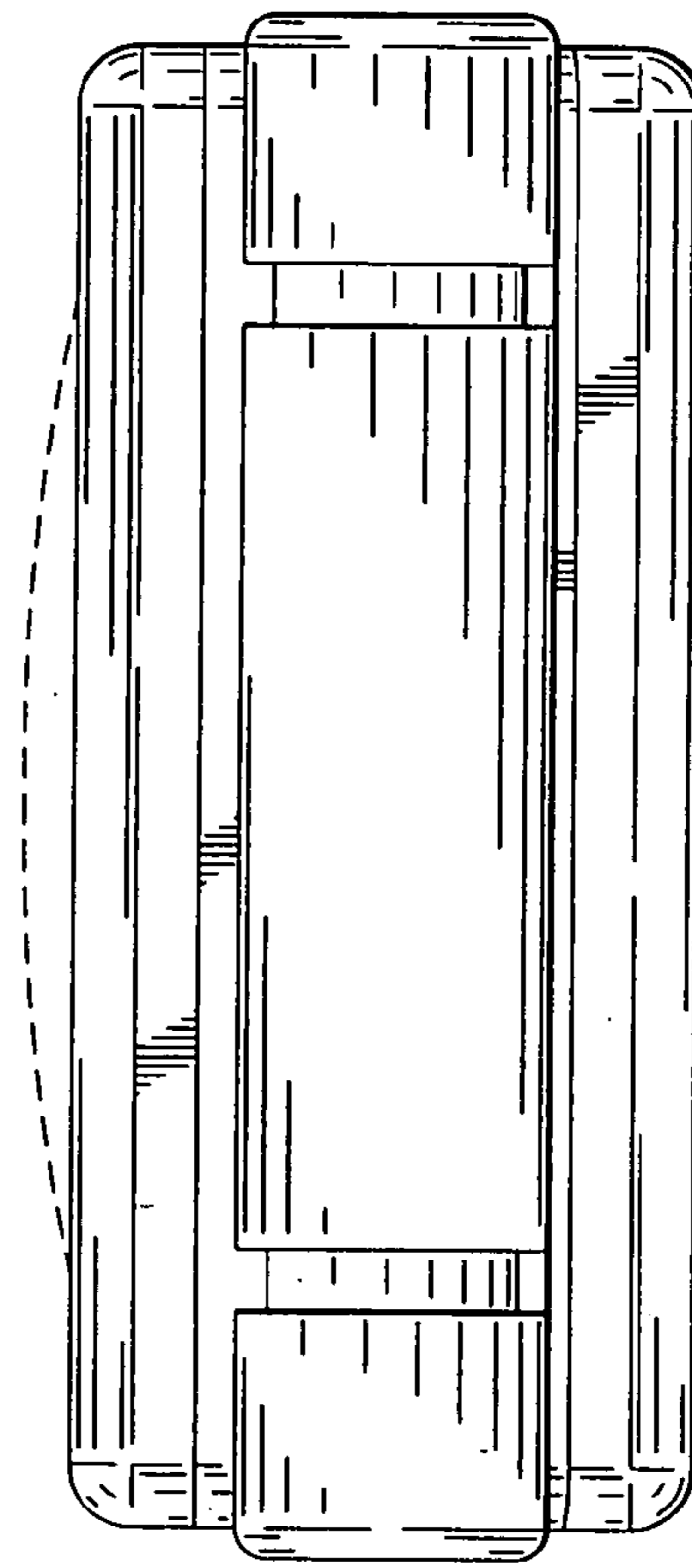


FIG. 4

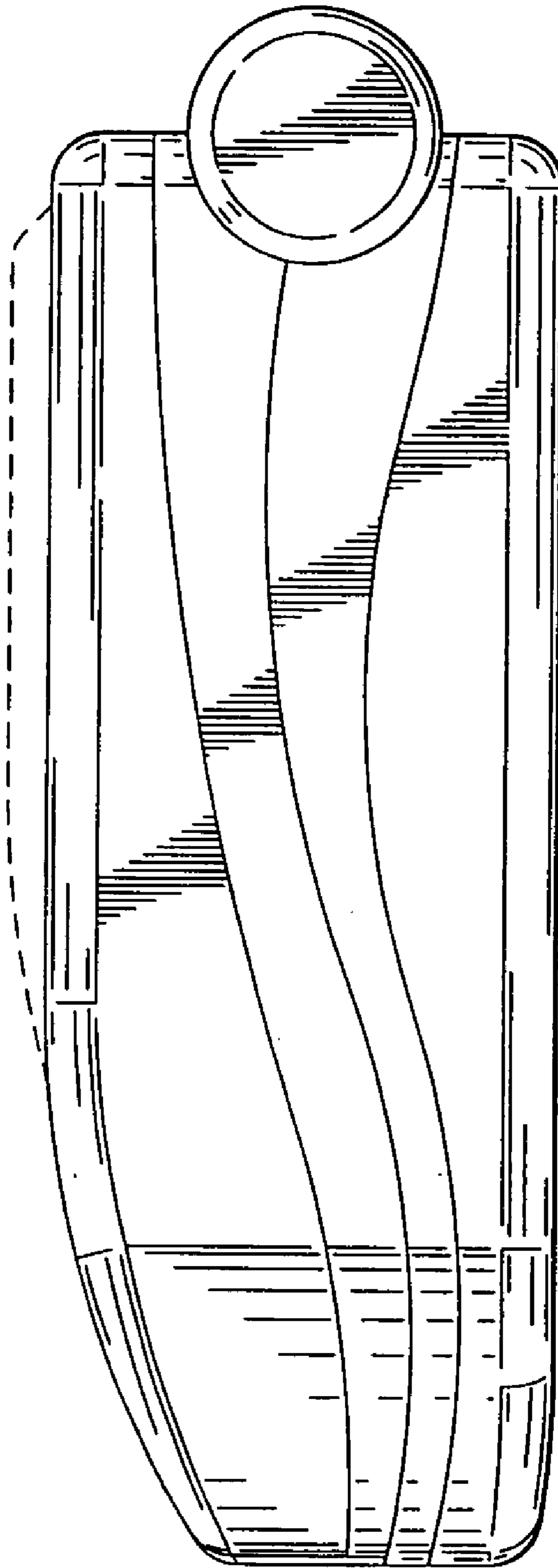


FIG. 5

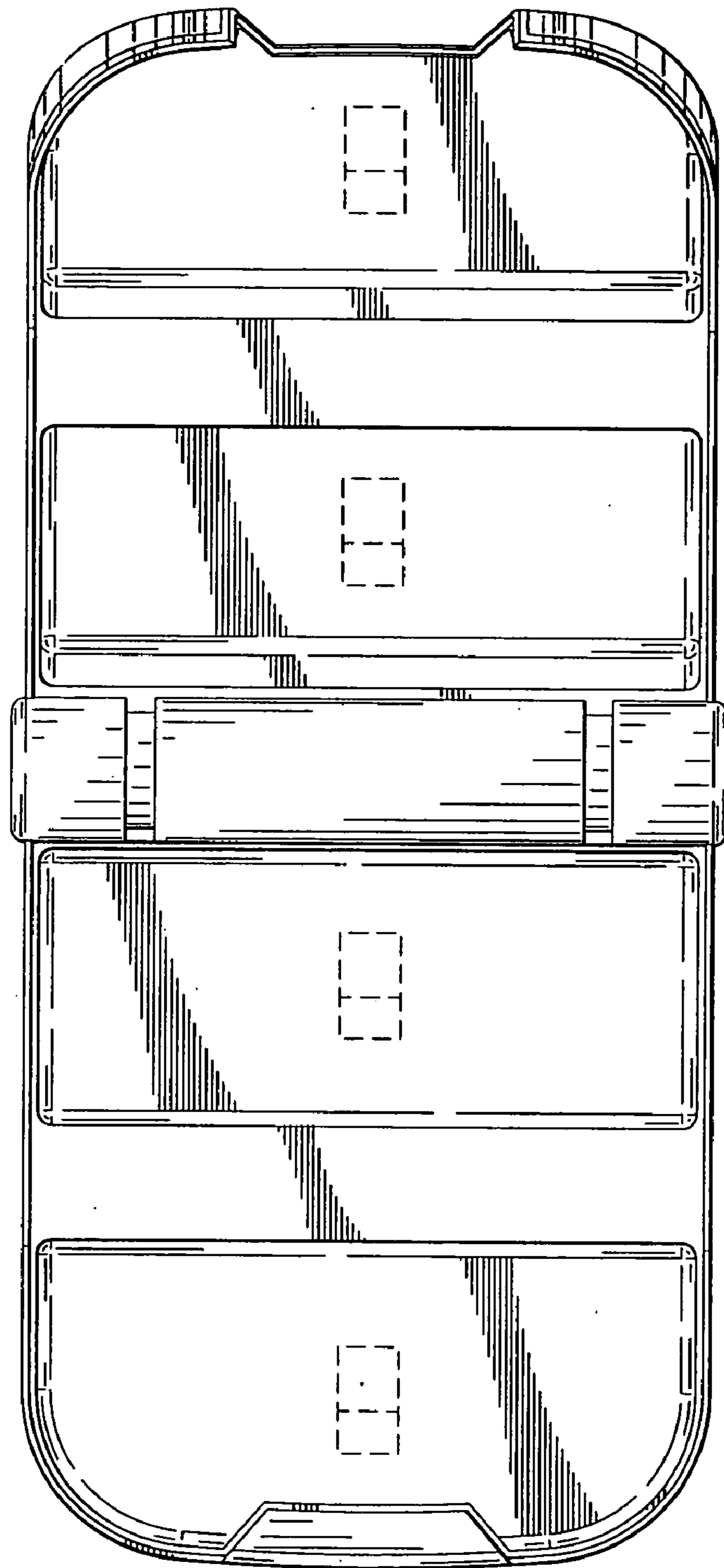


FIG. 6

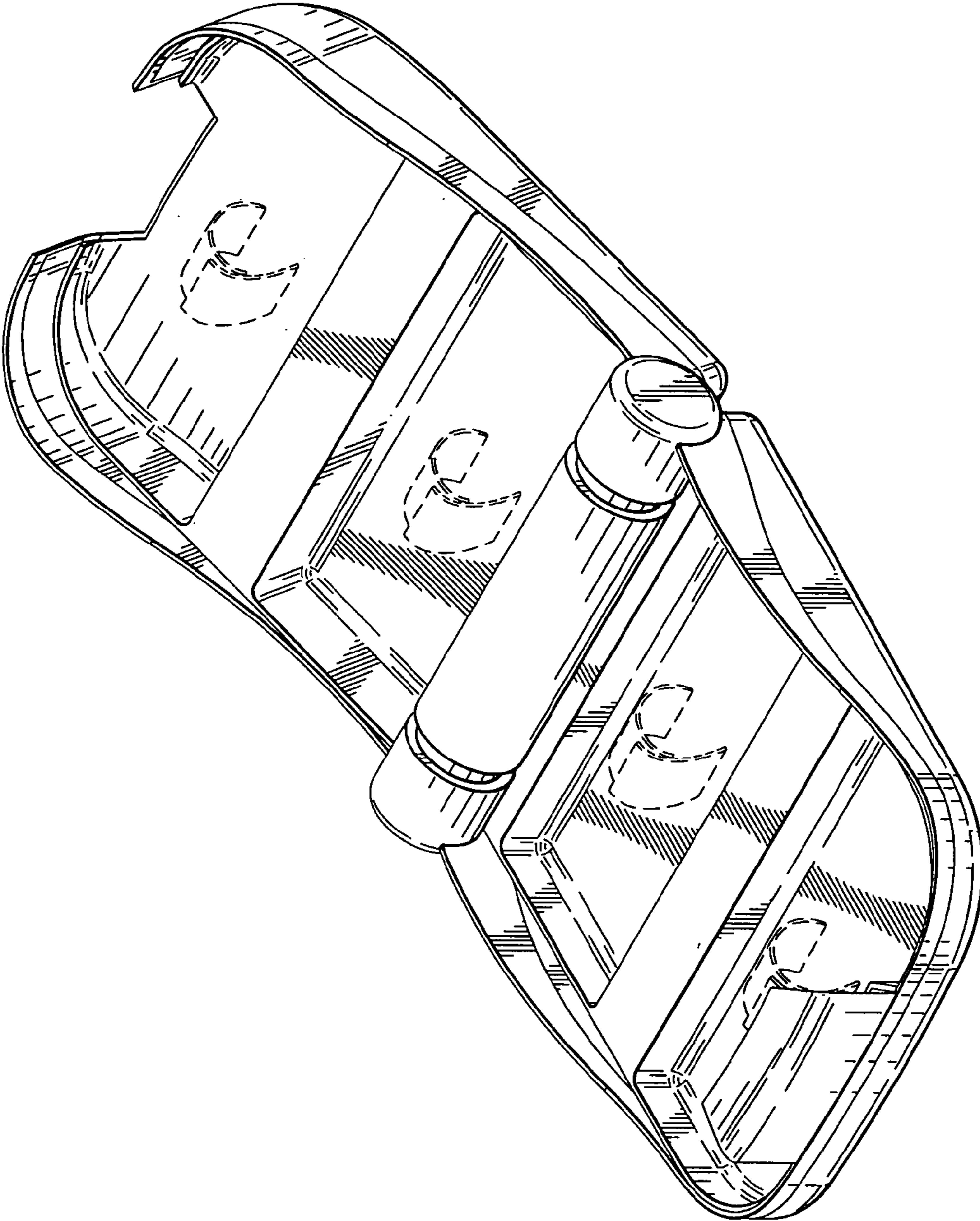


FIG. 7