



US00D555898S

(12) **United States Design Patent**  
**Morelli**

(10) **Patent No.:** **US D555,898 S**

(45) **Date of Patent:** **\*\* Nov. 27, 2007**

(54) **HANDBAG**

D472,046 S \* 3/2003 Galliano ..... D3/243  
D472,374 S \* 4/2003 Galliano ..... D3/243  
D537,357 S \* 2/2007 Holt ..... D9/631

(75) Inventor: **Giovanni Morelli**, Milan (IT)

(73) Assignee: **Chloé Societe Anonyme** (FR)

(\*\*) Term: **14 Years**

(21) Appl. No.: **29/259,827**

(22) Filed: **May 16, 2006**

(30) **Foreign Application Priority Data**

Apr. 28, 2006 (EM) ..... 000520655-0001

(51) **LOC (8) Cl.** ..... **03-01**

(52) **U.S. Cl.** ..... **D3/232**

(58) **Field of Classification Search** ..... D3/232,  
D3/234, 238, 240–246, 303, 318–326, 900,  
D3/902; 150/100, 107, 108–110, 118–120;  
190/100, 108–112, 115, 900, 902, 903  
See application file for complete search history.

(56) **References Cited**

U.S. PATENT DOCUMENTS

D350,874 S \* 9/1994 Gowin ..... D7/606

\* cited by examiner

*Primary Examiner*—Louis S. Zarfes

*Assistant Examiner*—Michelle E. Wilson

(74) *Attorney, Agent, or Firm*—Kalow & Springut LLP

(57) **CLAIM**

The ornamental design of a handbag, as shown and described.

**DESCRIPTION**

FIG. 1 is a rear view of a handbag, showing my new design;

FIG. 2 is a front view shown thereof;

FIG. 3. is a top view shown thereof;

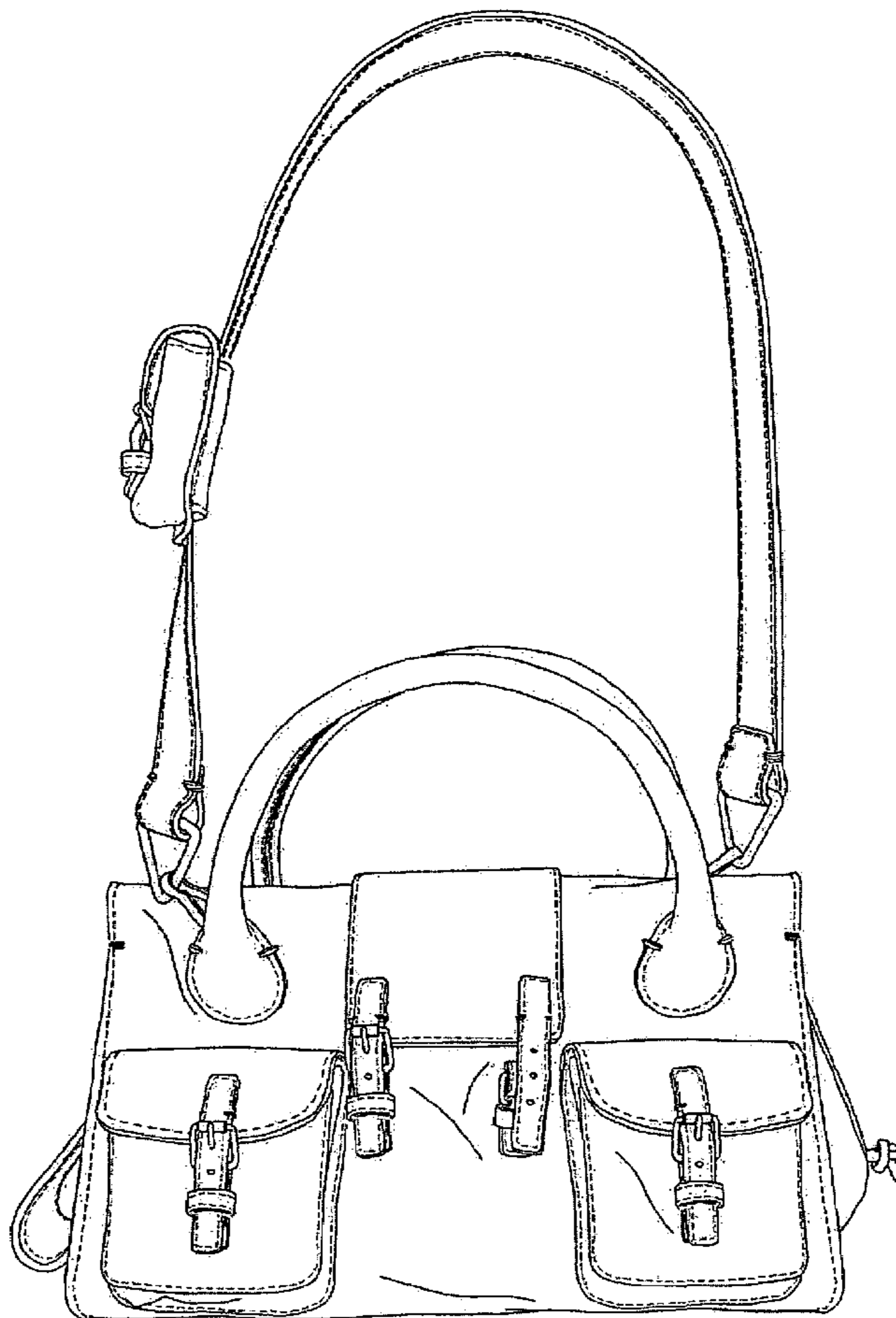
FIG. 4 is a bottom view show thereof;

FIG. 5 is a perspective view shown thereof;

FIG. 6 is a left side view shown thereof; and,

FIG. 7 is a right side view shown thereof.

**1 Claim, 5 Drawing Sheets**



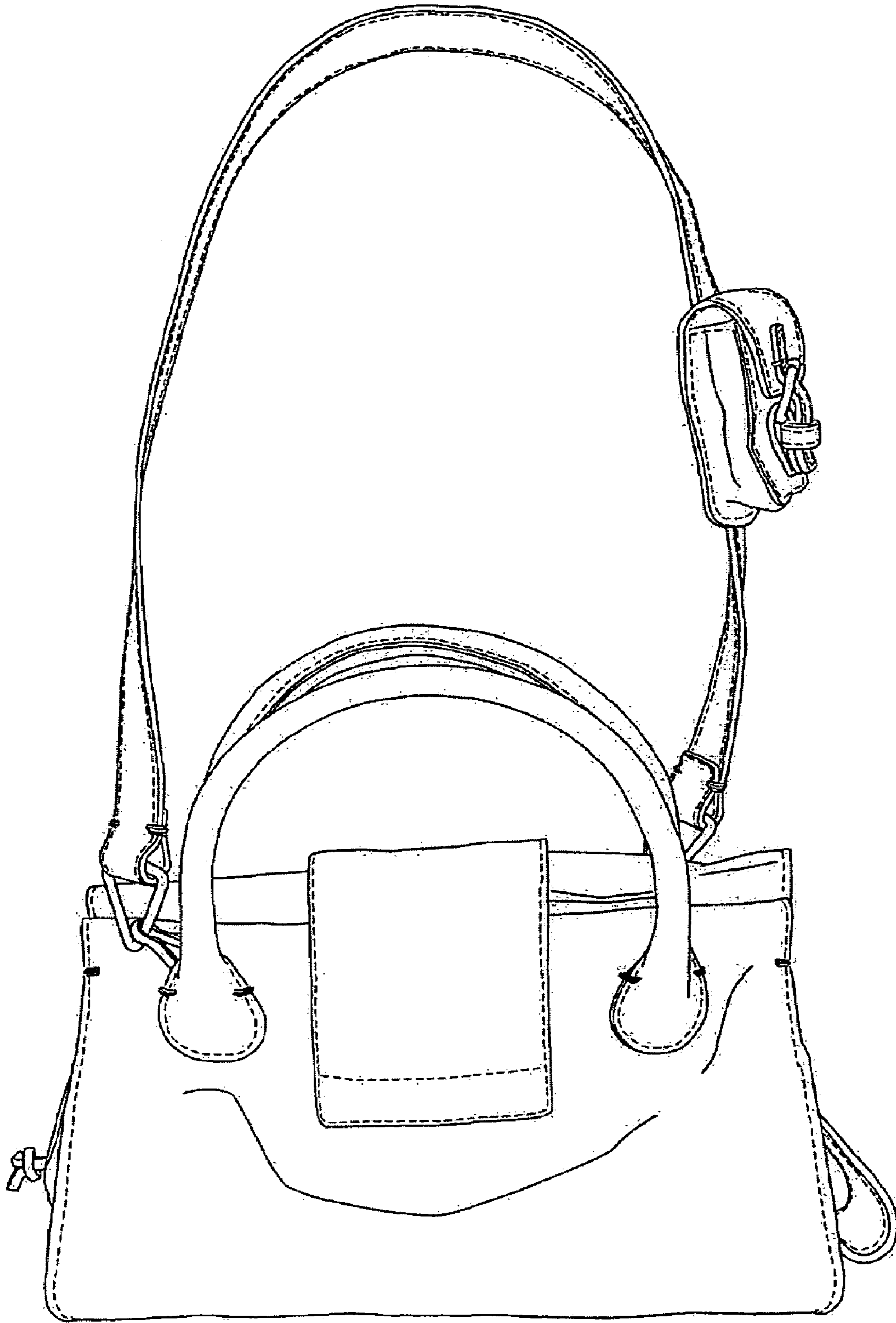


Fig. 1

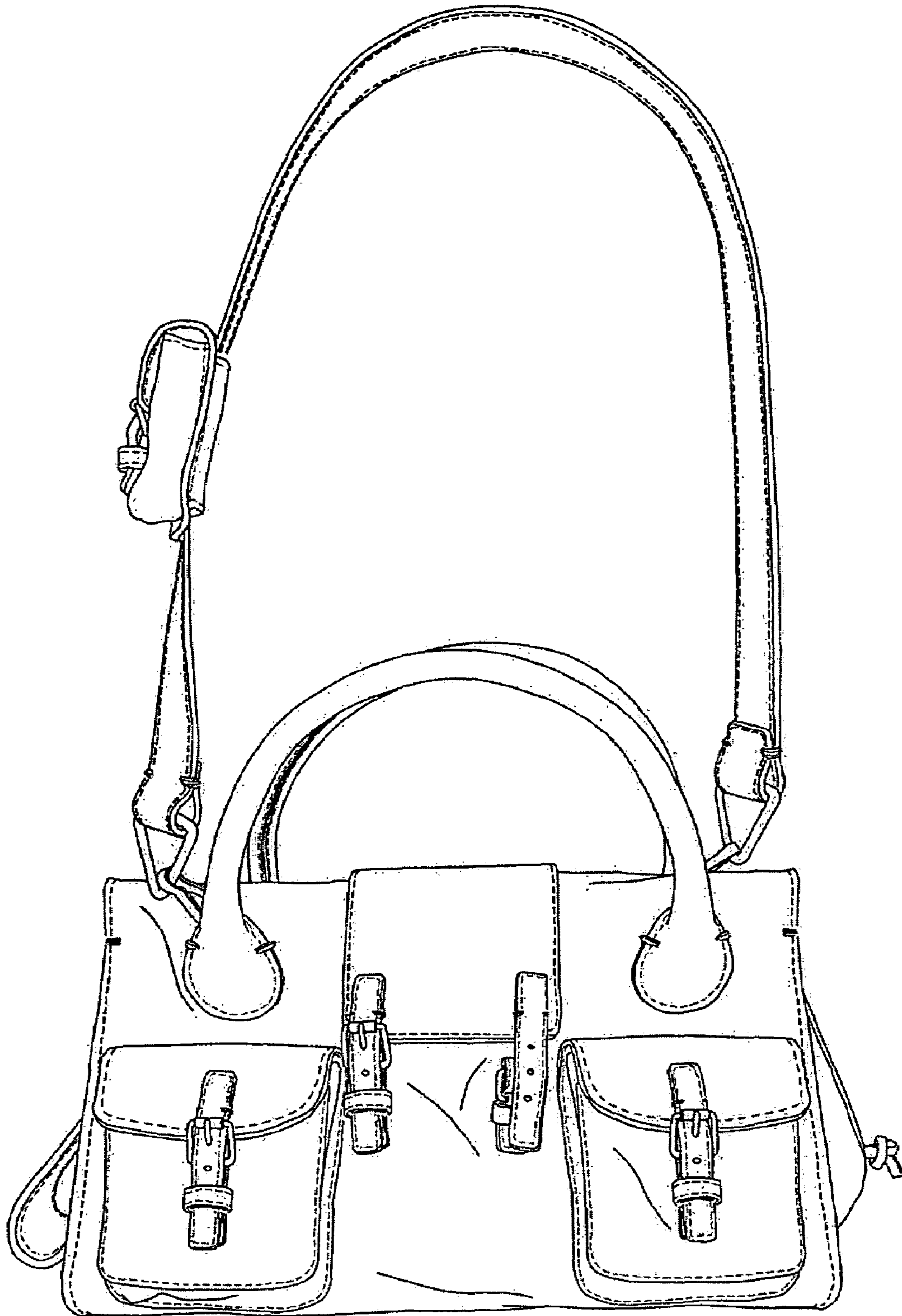


Fig. 2

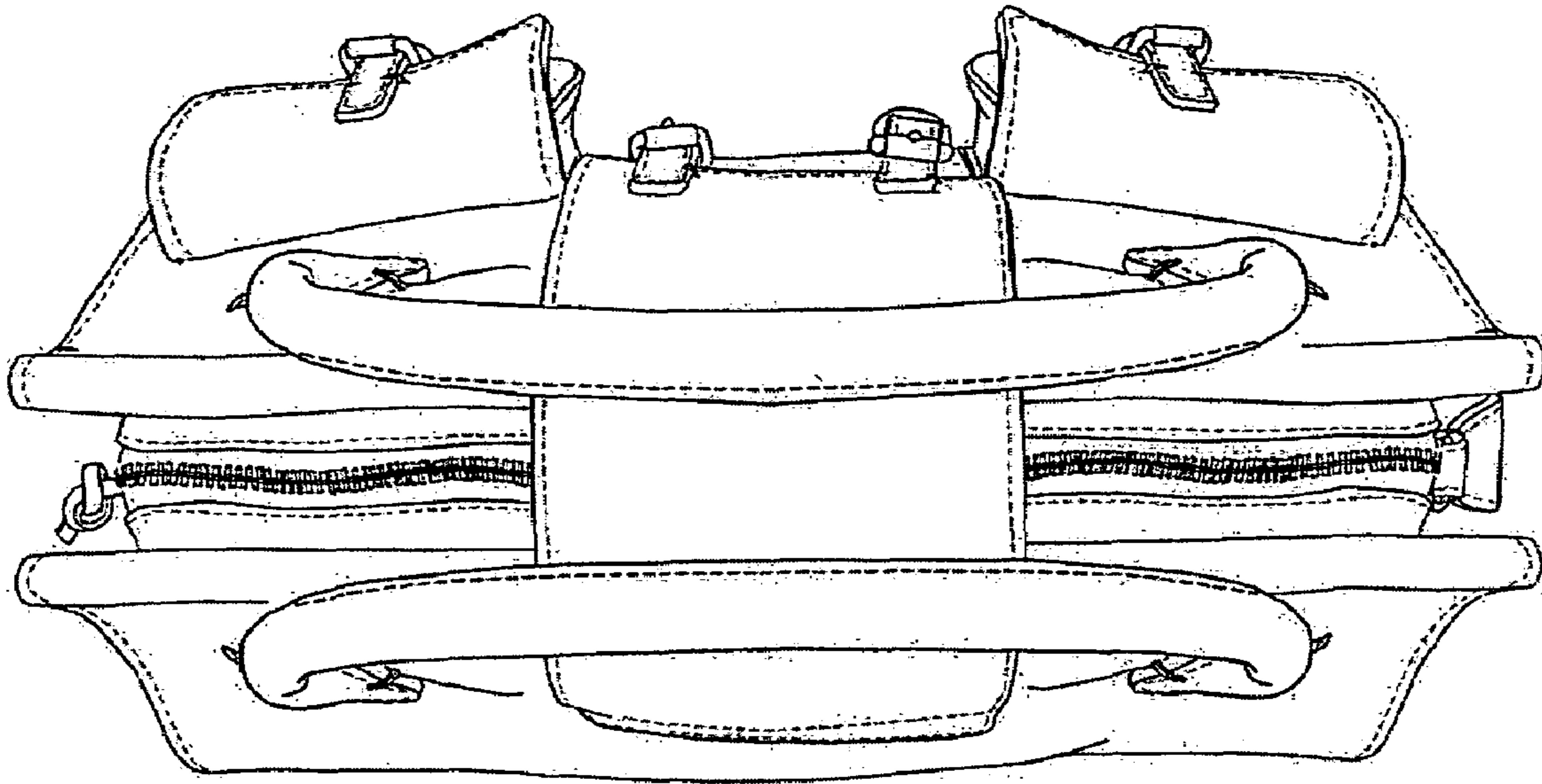


Fig. 3

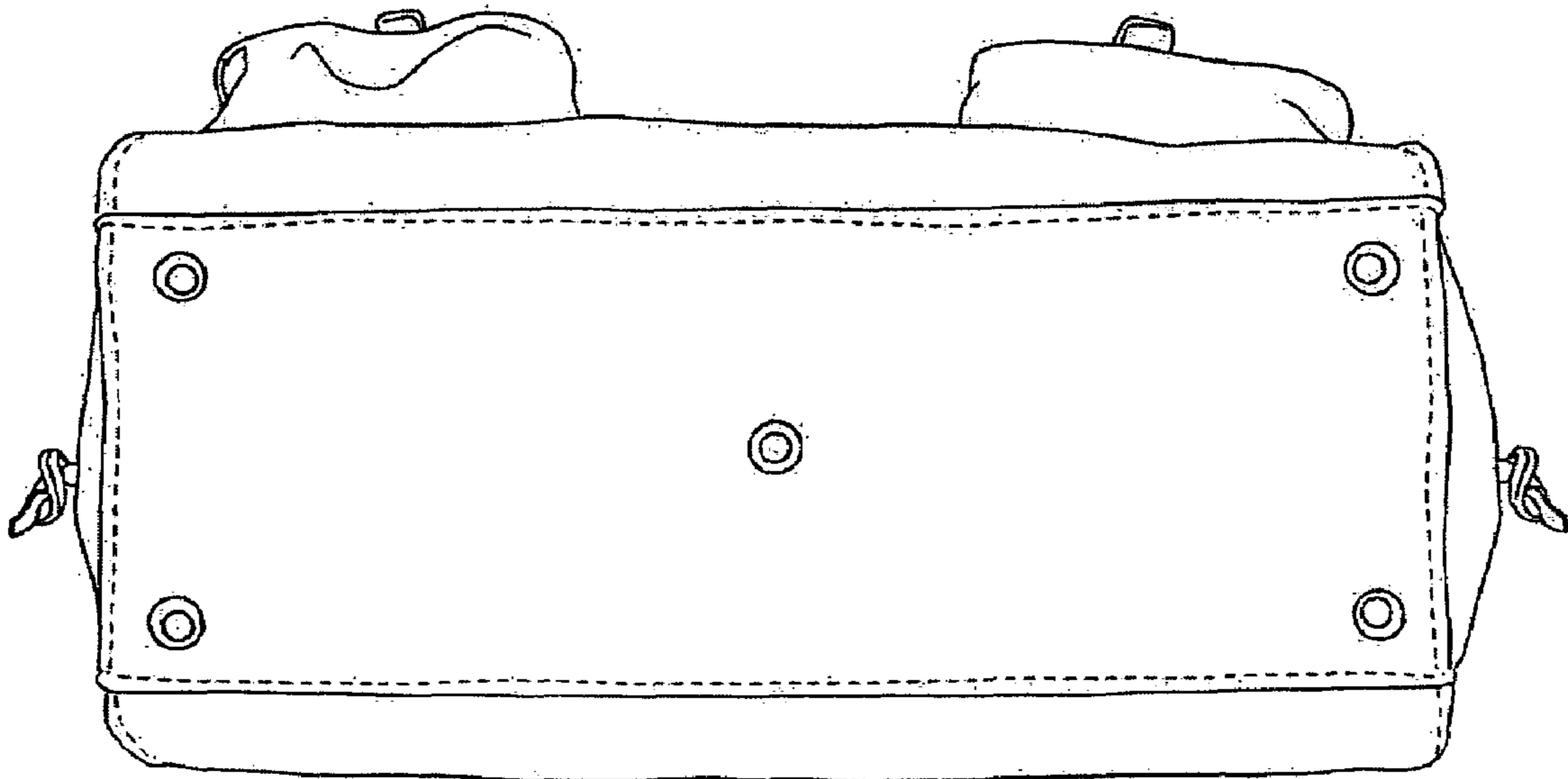


Fig. 4

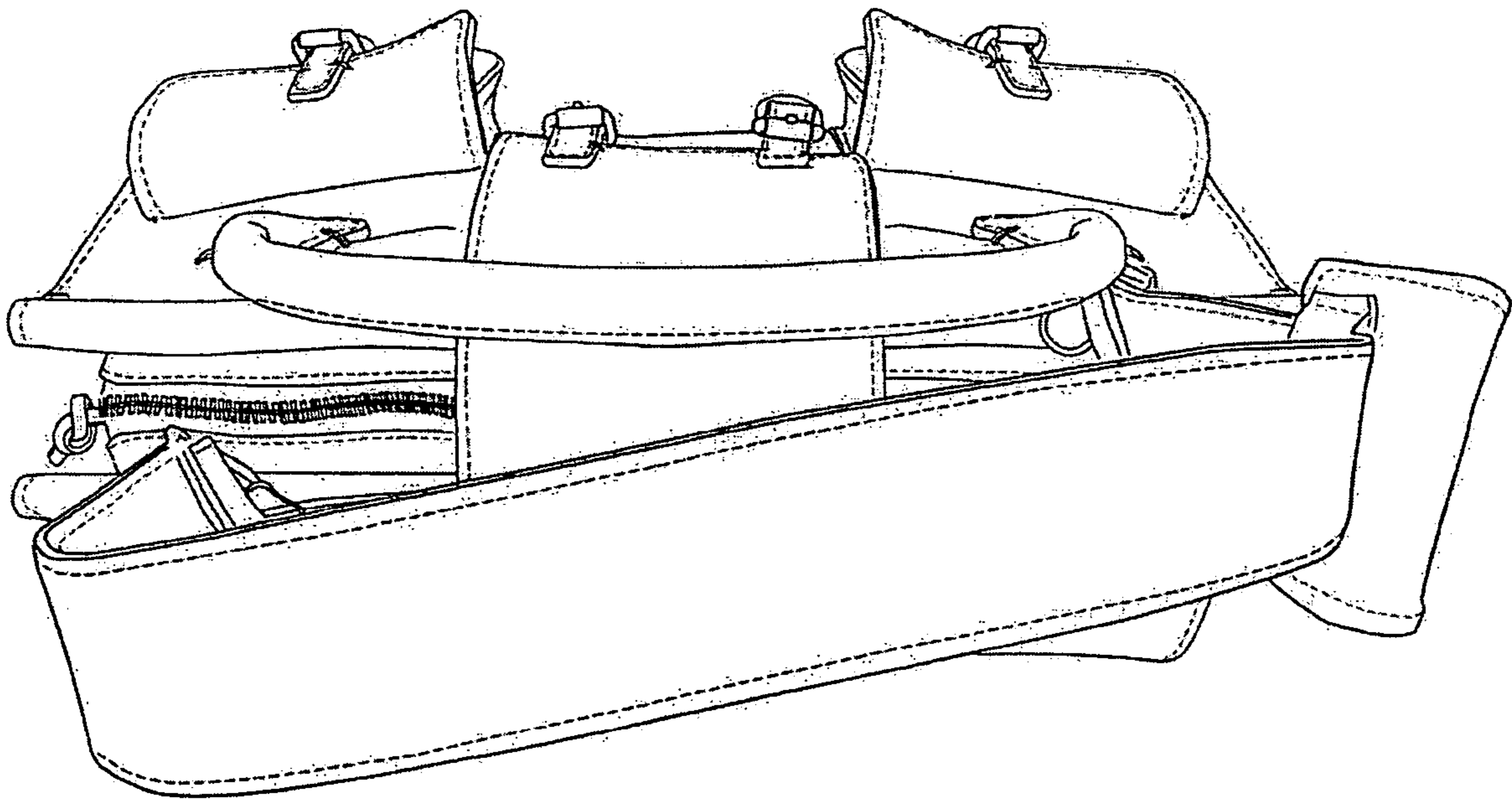


Fig. 5

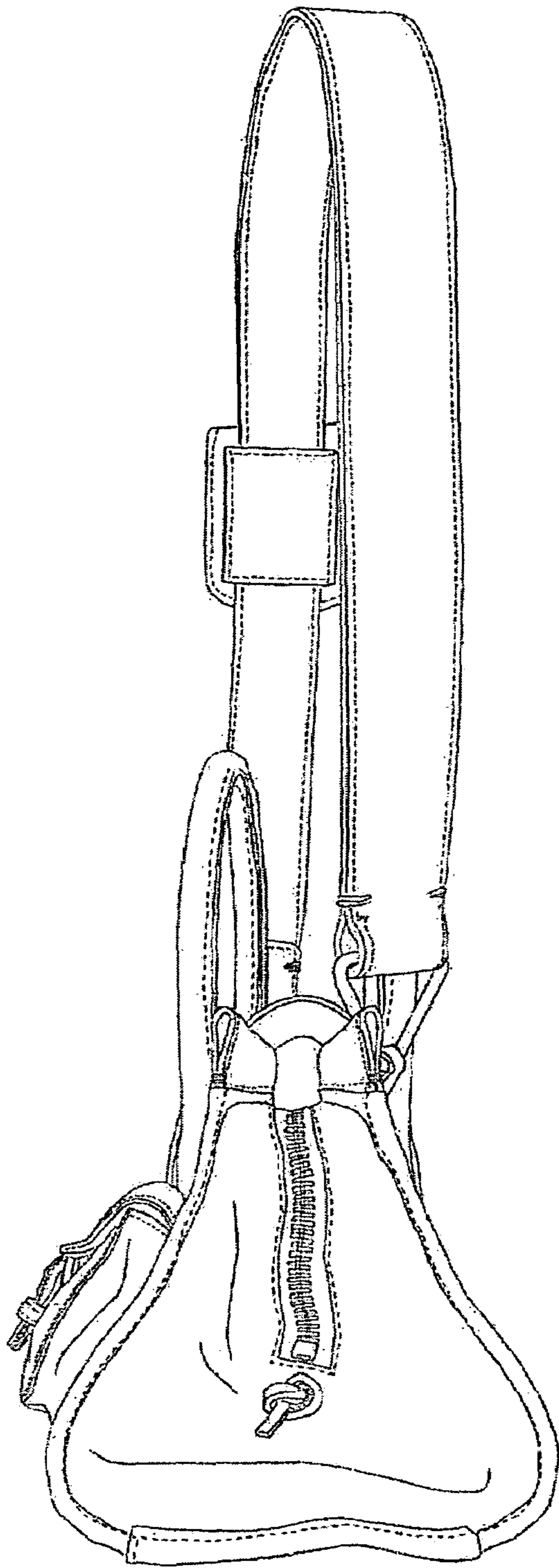


Fig. 6

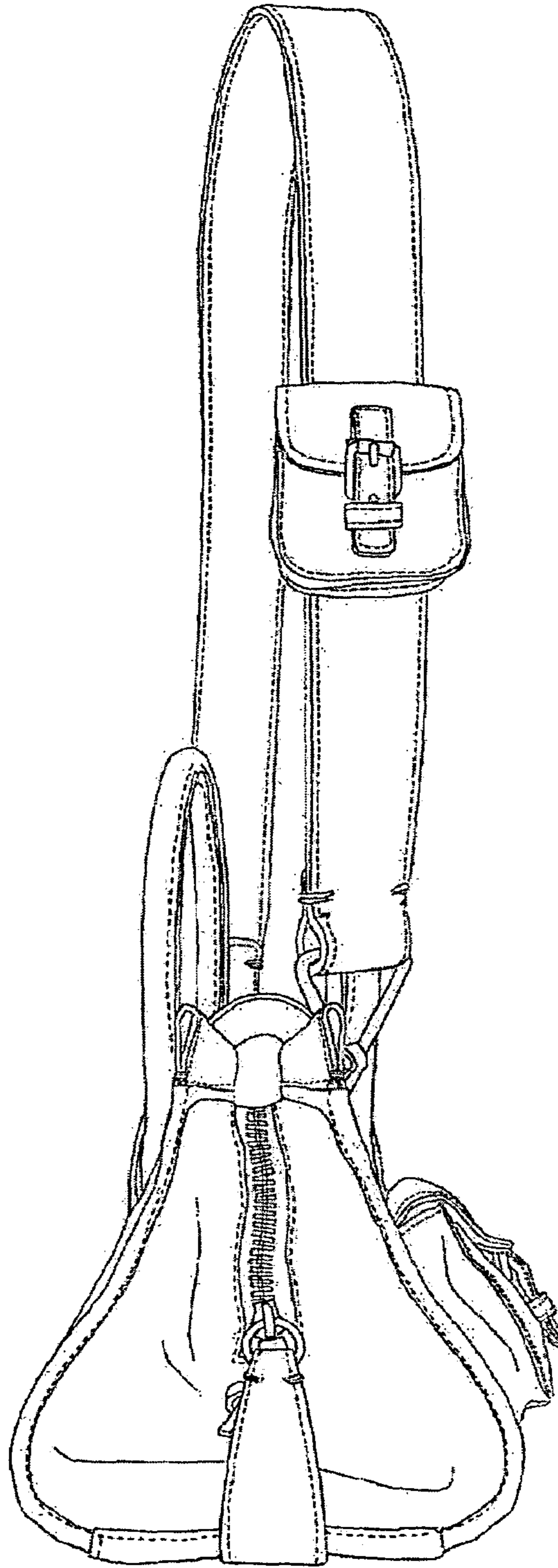


Fig. 7