



US00D555894S

(12) **United States Design Patent**
Berg et al.

(10) **Patent No.:** **US D555,894 S**

(45) **Date of Patent:** **** Nov. 27, 2007**

(54) **PERCUSSION CASE**

D516,810 S * 3/2006 Galletti D3/282

(76) Inventors: **Michael Berg**, 4801 Railroad Ave., East Chicago, IN (US) 46312; **Irwin Berg**, 4801 Railroad Ave., East Chicago, IN (US) 46312

* cited by examiner

Primary Examiner—Ian Simmons

Assistant Examiner—Anna J Burmeister

(74) *Attorney, Agent, or Firm*—Baker & McKenzie LLP; David I. Roche

(**) Term: **14 Years**

(57) **CLAIM**

(21) Appl. No.: **29/197,866**

The ornamental design for a percussion case, as shown and described.

(22) Filed: **Jan. 21, 2004**

DESCRIPTION

(51) **LOC (8) Cl.** **03-01**

(52) **U.S. Cl.** **D3/204**

(58) **Field of Classification Search** D3/201, D3/204, 269, 272–273, 276, 282, 284, 292, D3/294–295; D17/20, 22, 90; 84/314, 453; 190/100, 900; 211/85.6; 224/910; 150/162
See application file for complete search history.

FIG. 1 is a top view of a percussion case embodying my invention;

FIG. 2 is a bottom view thereof;

FIG. 3 is a front elevational view thereof;

FIG. 4 is a rear elevational view thereof;

FIG. 5 is a left side elevational view thereof;

FIG. 6 is a right side elevational view thereof;

FIG. 7 is a top, front left side perspective view thereof; and,

FIG. 8 is a top, rear, right side perspective view thereof, with multiple unclaimed percussion cases shown in the stacked position.

The broken lines shown in the drawings are for illustrative purposes only and form no part of the claimed design.

(56) **References Cited**

U.S. PATENT DOCUMENTS

D247,197 S *	2/1978	Mikosz	D3/204
D281,289 S *	11/1985	Graham	D3/204
D283,464 S *	4/1986	Ogden	D3/204
D439,048 S *	3/2001	Sanderson	D3/302
D480,211 S *	10/2003	Wolf	D3/294
D493,284 S *	7/2004	Lee	D3/294
6,891,095 B2 *	5/2005	Charters	84/320

1 Claim, 3 Drawing Sheets

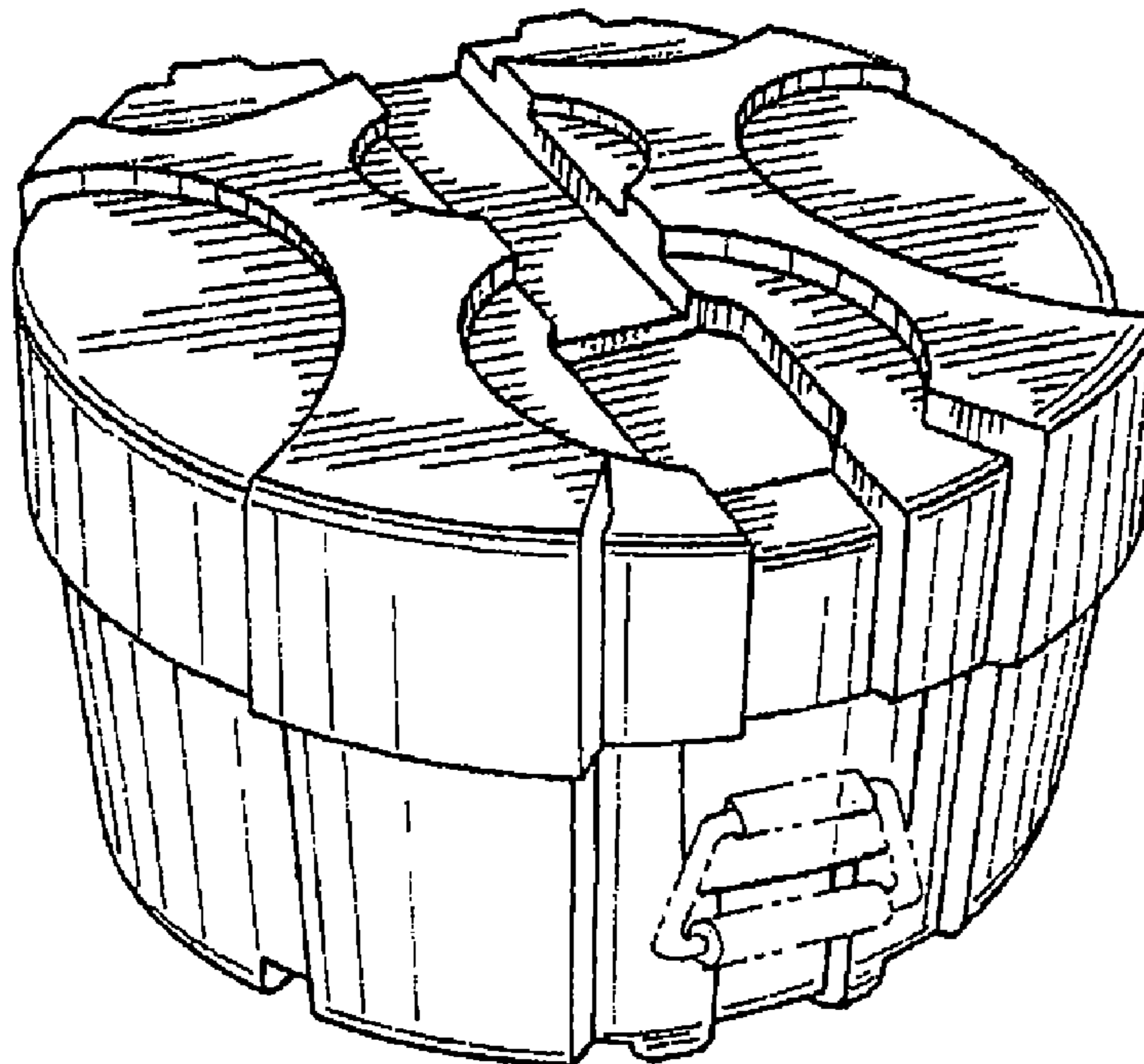


FIG. 1

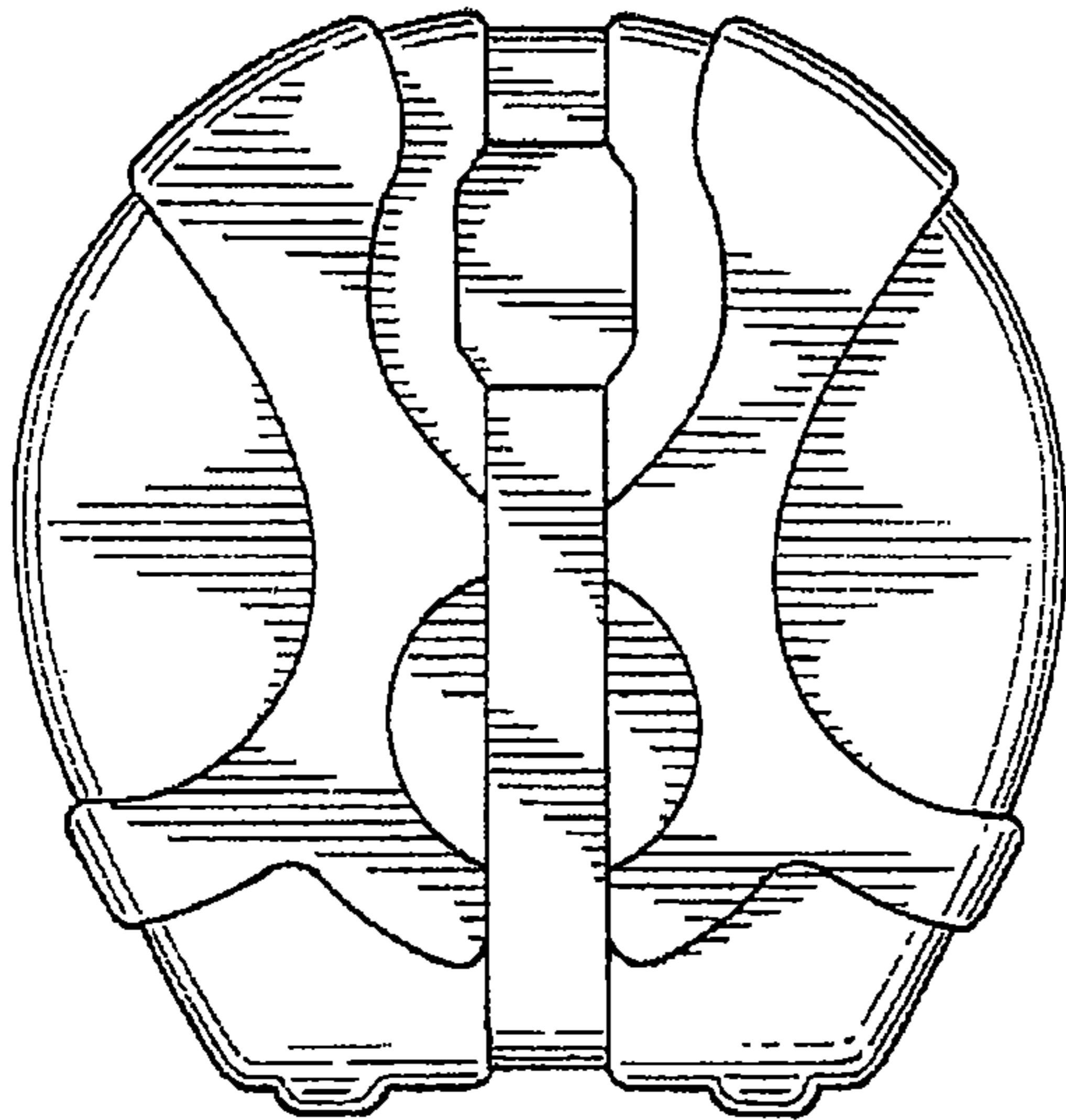


FIG. 2

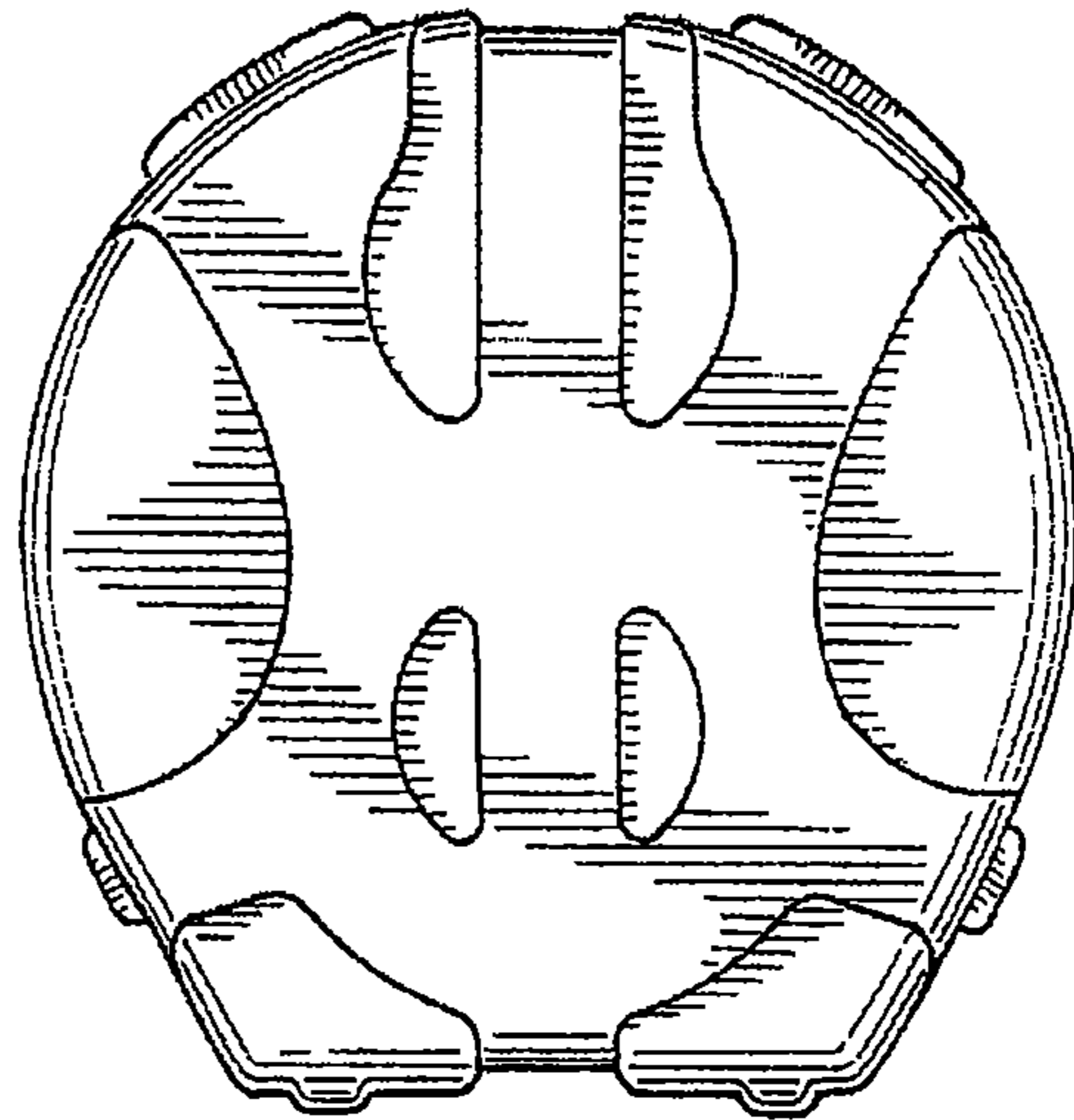


FIG. 3

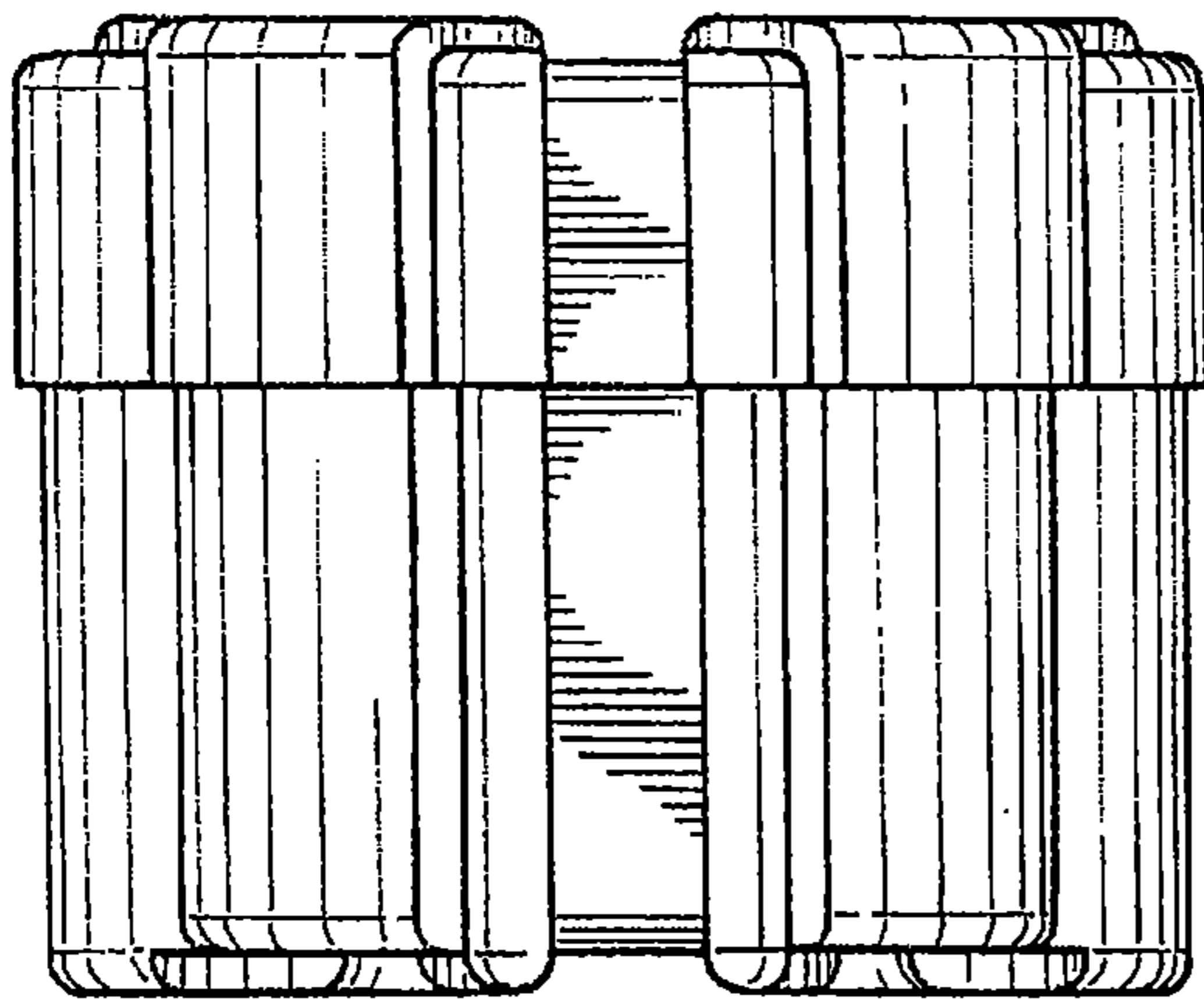


FIG. 4

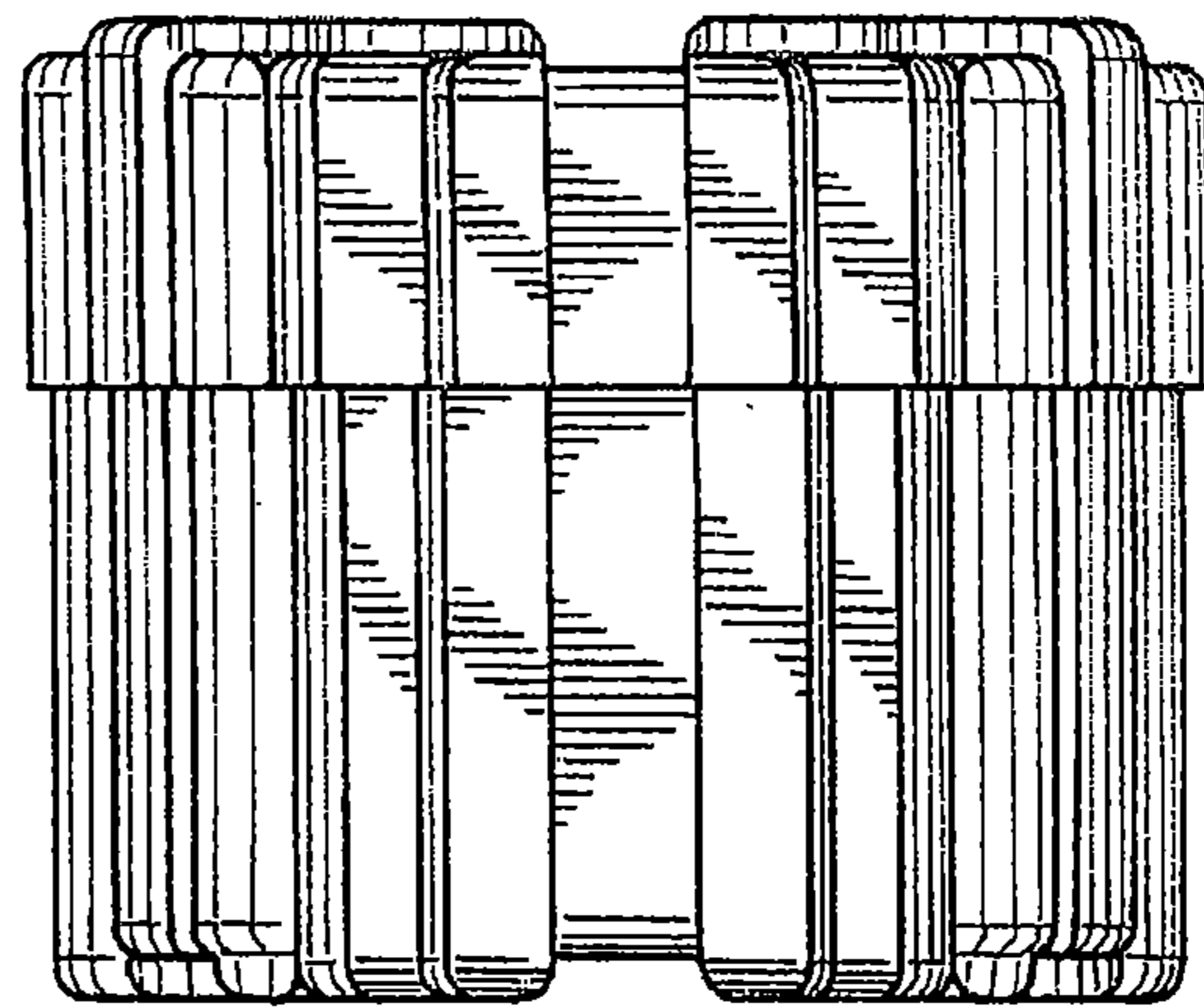


FIG. 5

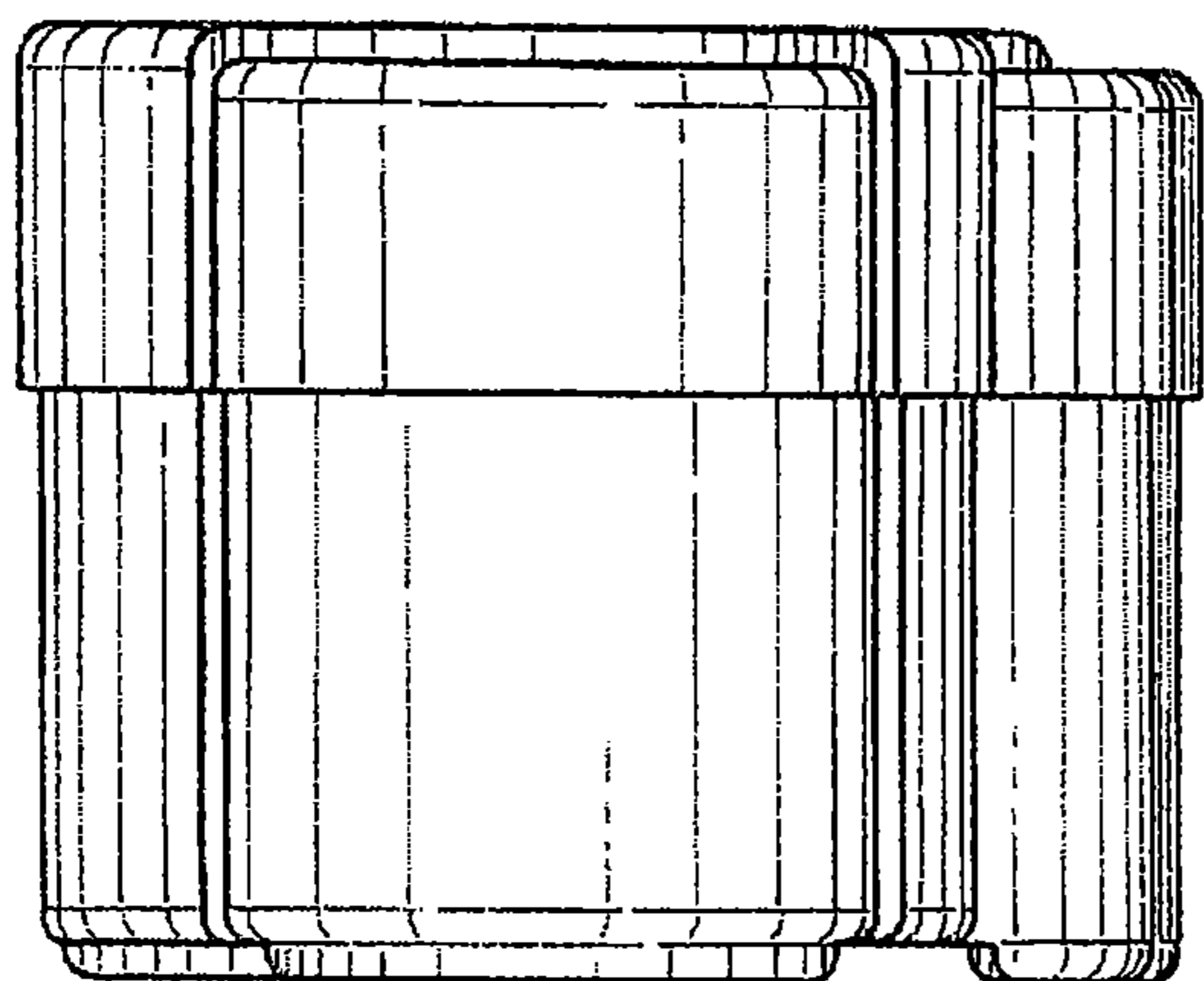


FIG. 6

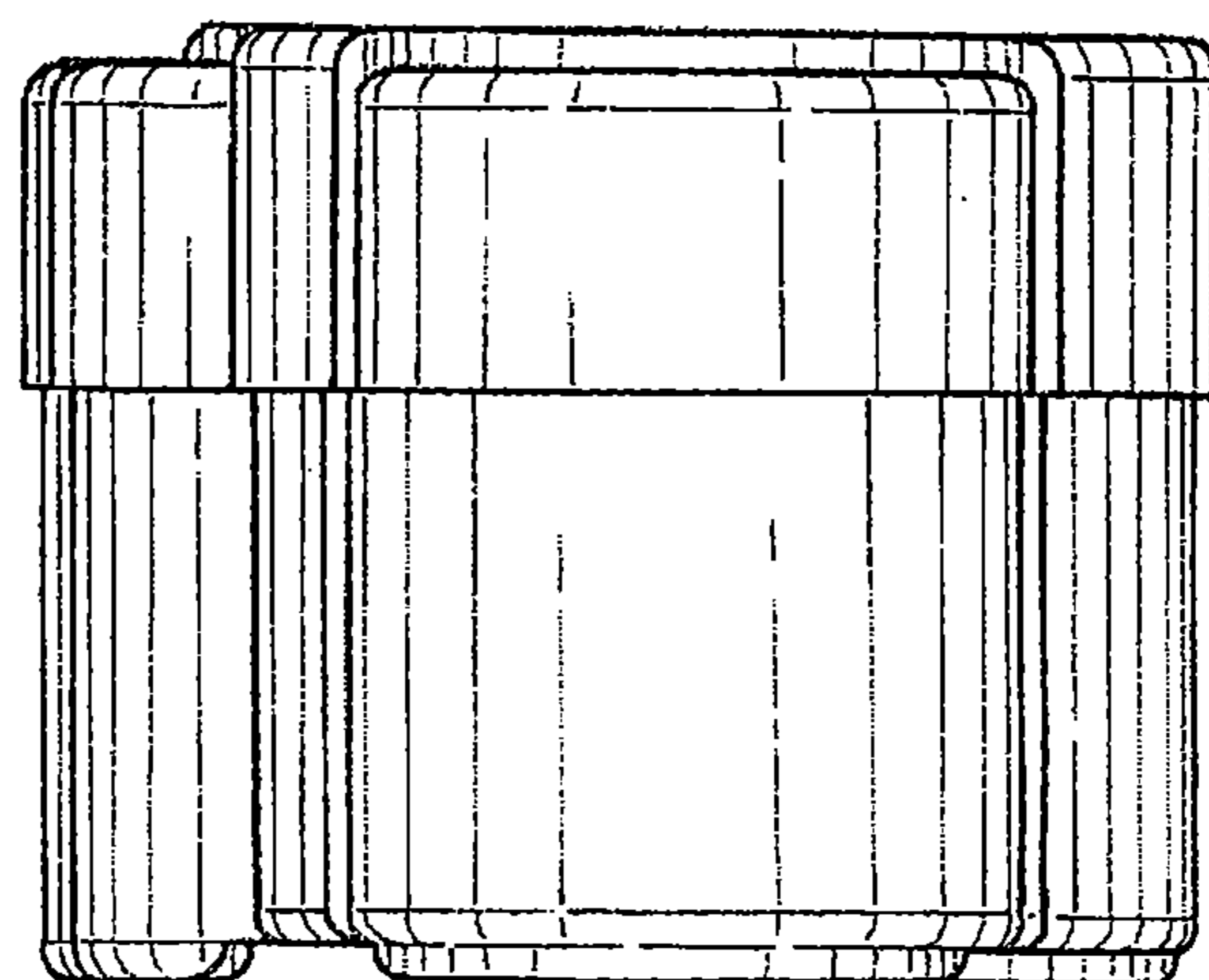


FIG. 7

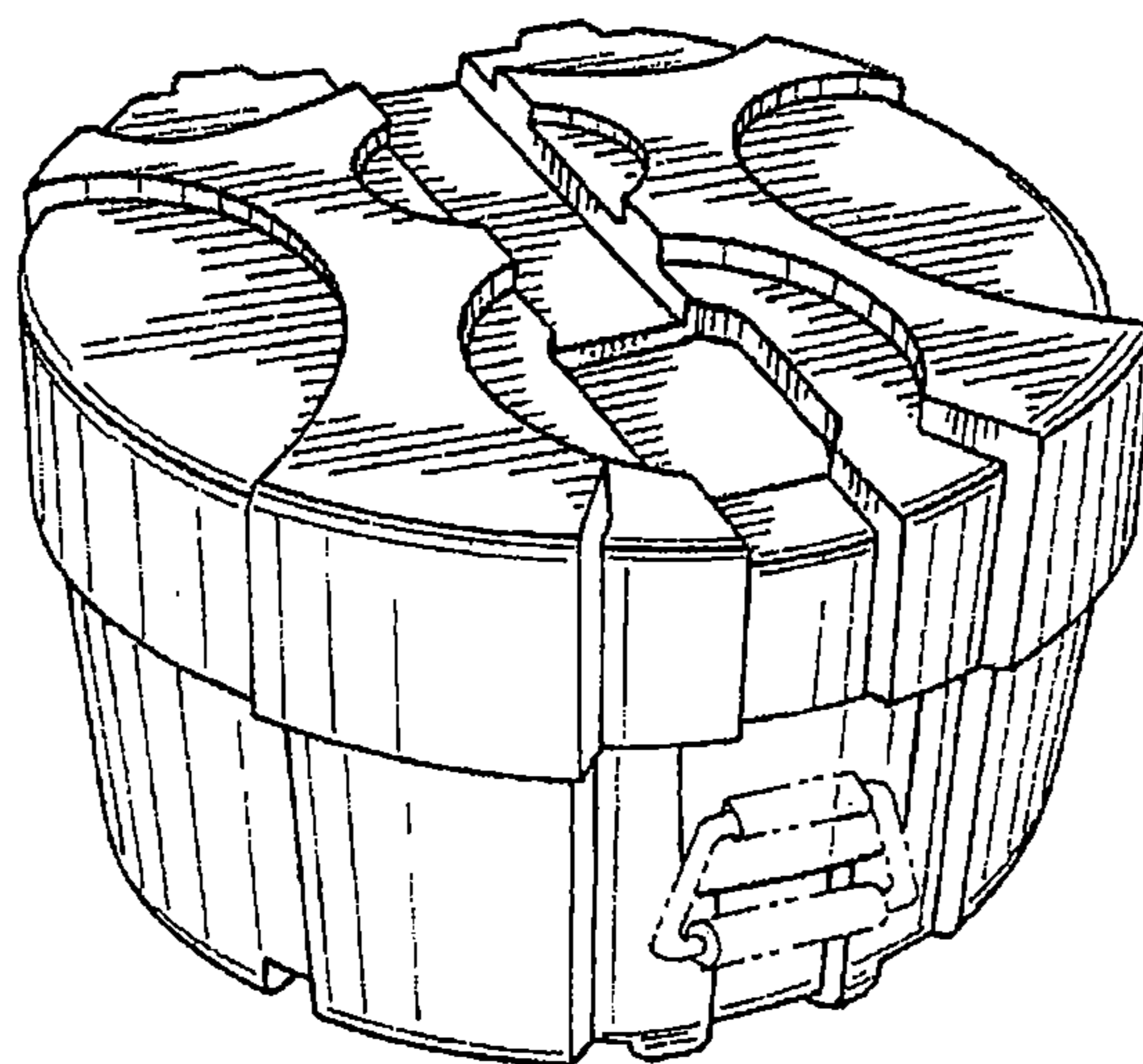


FIG. 8

