



US00D555893S

(12) **United States Design Patent**
Mulaw

(10) **Patent No.:** **US D555,893 S**

(45) **Date of Patent:** **** Nov. 27, 2007**

(54) **MEDICATION ORGANIZER**

D501,310 S * 2/2005 Smarte D3/203.2

(76) Inventor: **Azanaw Mulaw**, 1901 Thistlewood Dr.,
Fort Washington, MD (US) 20744

* cited by examiner

Primary Examiner—Catherine R. Oliver
(74) *Attorney, Agent, or Firm*—Richard C. Litman

(**) Term: **14 Years**

(21) Appl. No.: **29/274,050**

(57) **CLAIM**

(22) Filed: **Mar. 26, 2007**

The ornamental design for a medication organizer, as shown
and described.

(51) **LOC (8) Cl.** **03-01**

(52) **U.S. Cl.** **D3/203.1**

(58) **Field of Classification Search** D3/203.1,
D3/203.2, 203.3, 201, 205; 206/528, 531,
206/535–538, 540; 312/116–118, 305
See application file for complete search history.

DESCRIPTION

FIG. 1 is a perspective view of a medication organizer
showing my new design;

FIG. 2 is a front elevational view thereof;

FIG. 3 is a rear elevational view thereof;

FIG. 4 is a right side elevational view thereof;

FIG. 5 is a left side elevational view thereof;

FIG. 6 is a top plan view thereof; and,

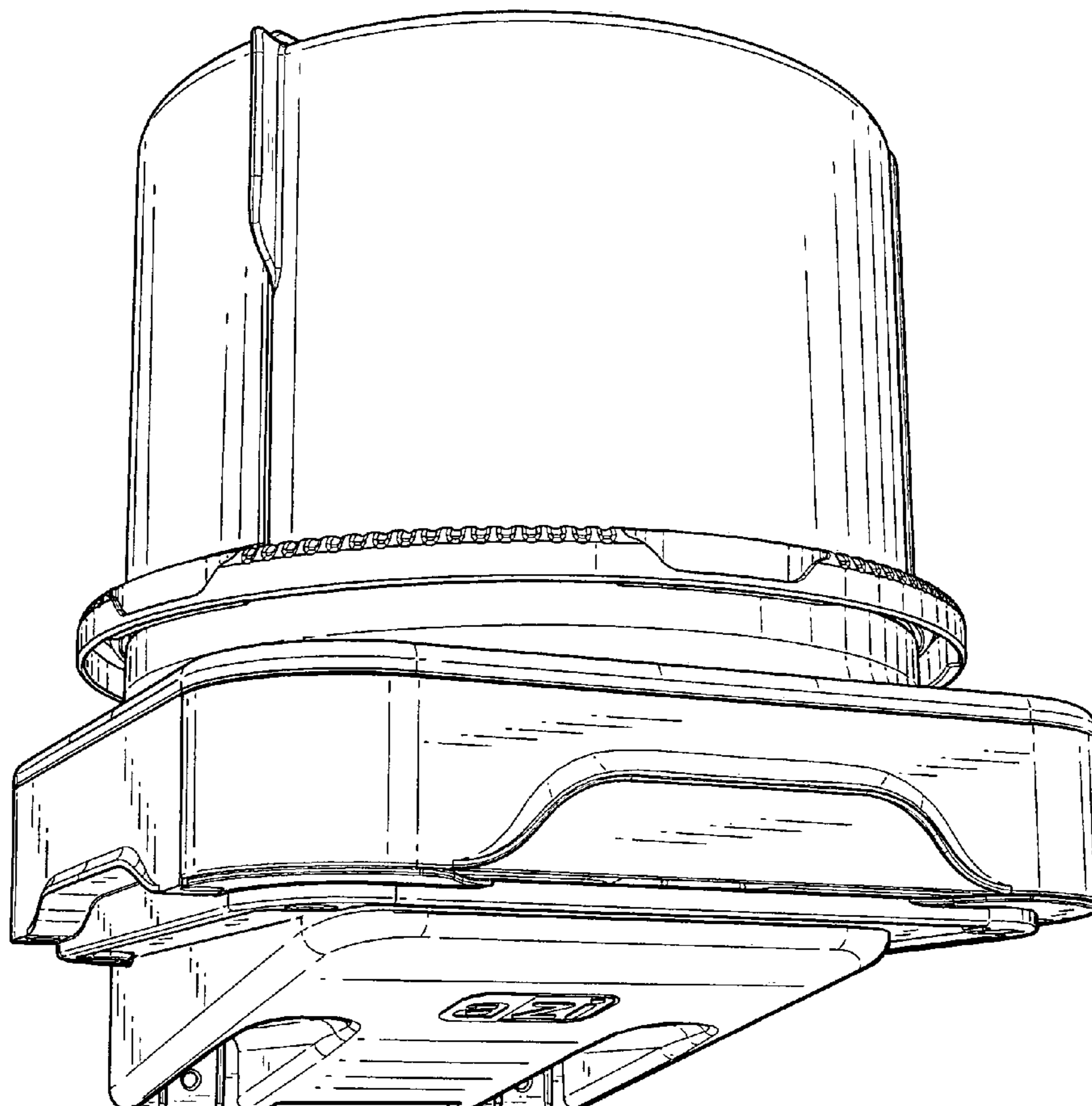
FIG. 7 is a bottom plan view thereof.

(56) **References Cited**

U.S. PATENT DOCUMENTS

1,908,797 A	5/1933	Svalland	312/305
D128,936 S	* 8/1941	Foley	D3/203.2
D317,405 S	* 6/1991	Yasika	D3/203.2
D356,904 S	* 4/1995	Wolff	D3/203.1
5,501,337 A	* 3/1996	Sowden	206/528

1 Claim, 7 Drawing Sheets



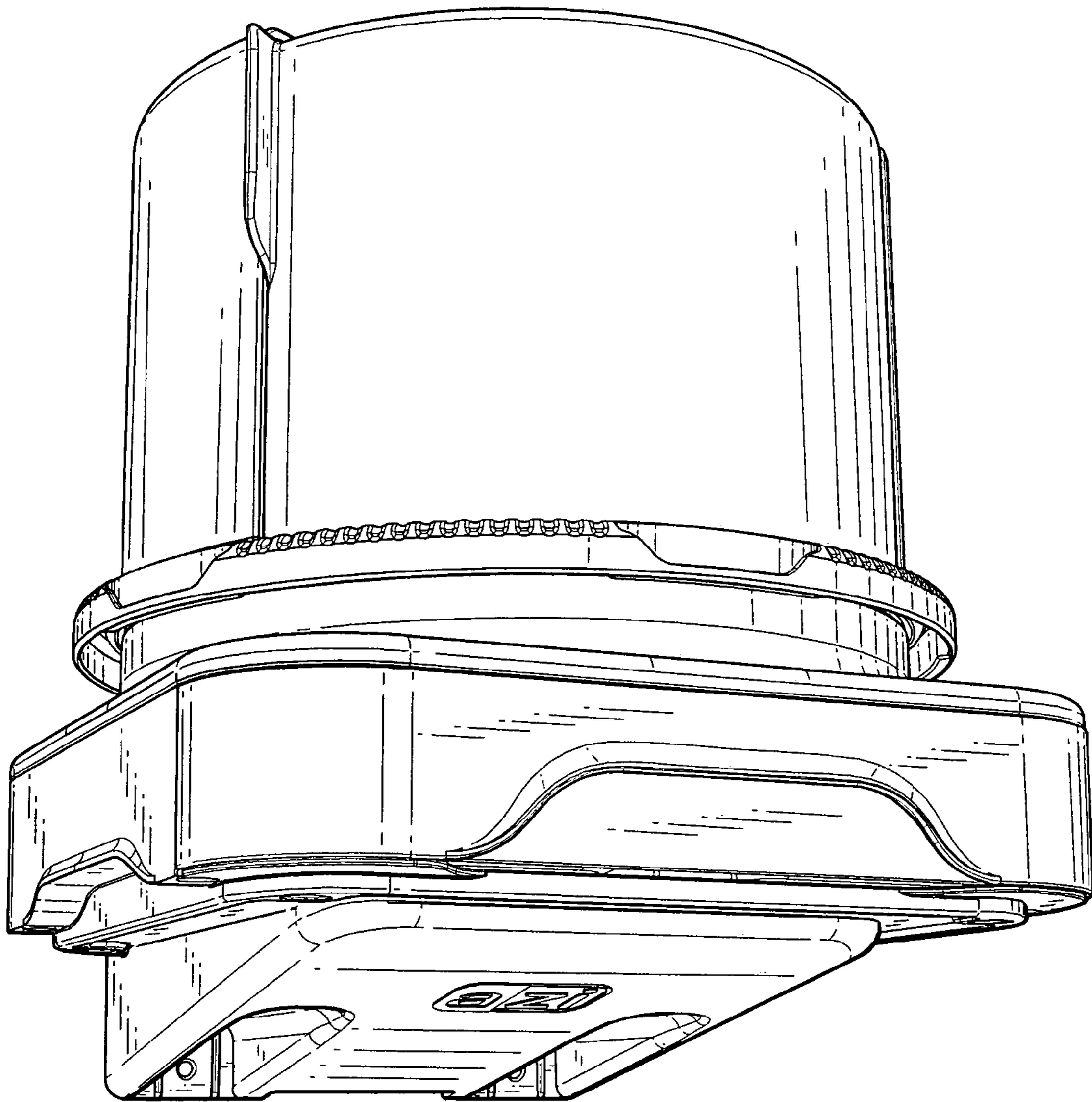


Fig. 1

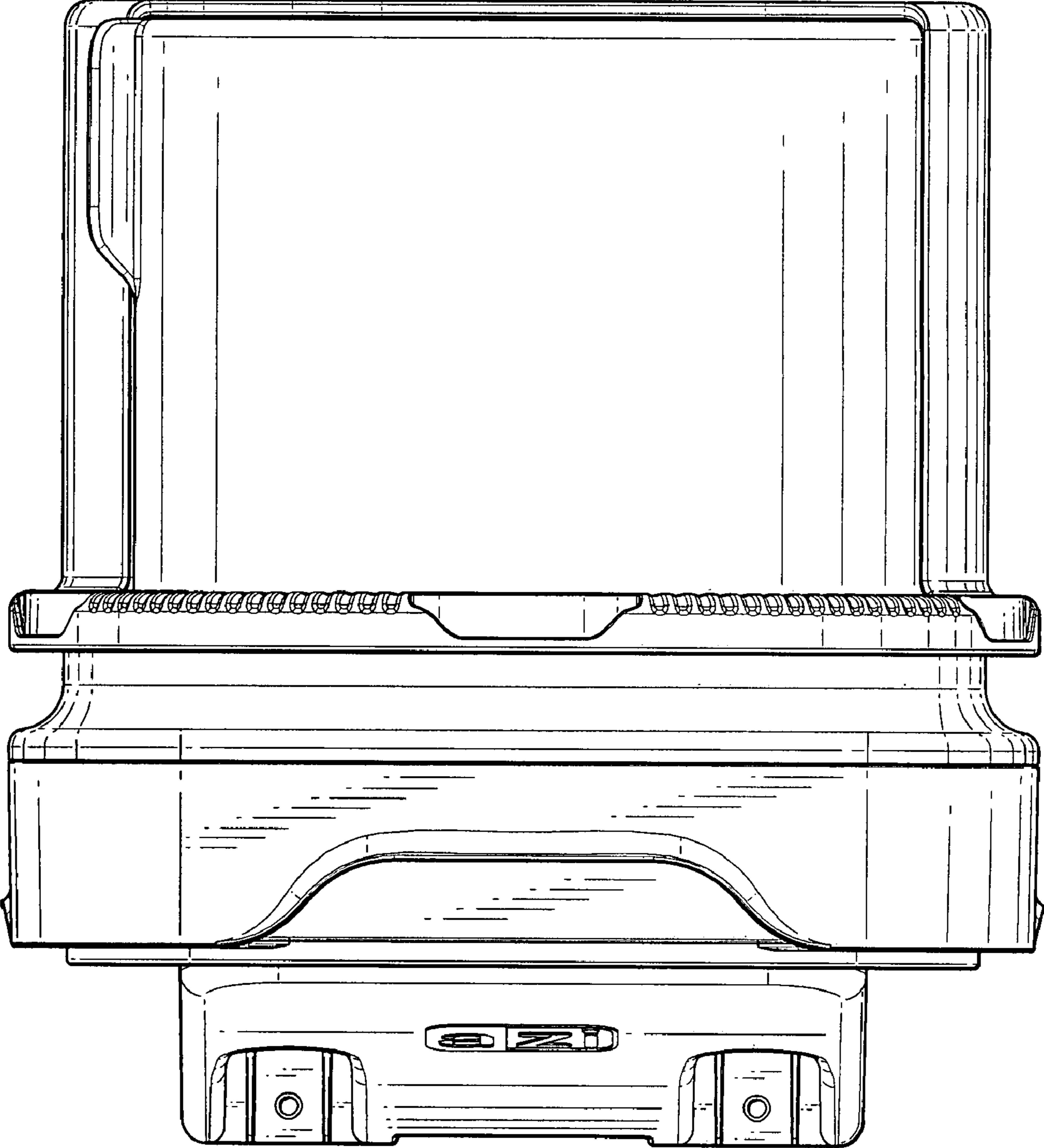


Fig. 2

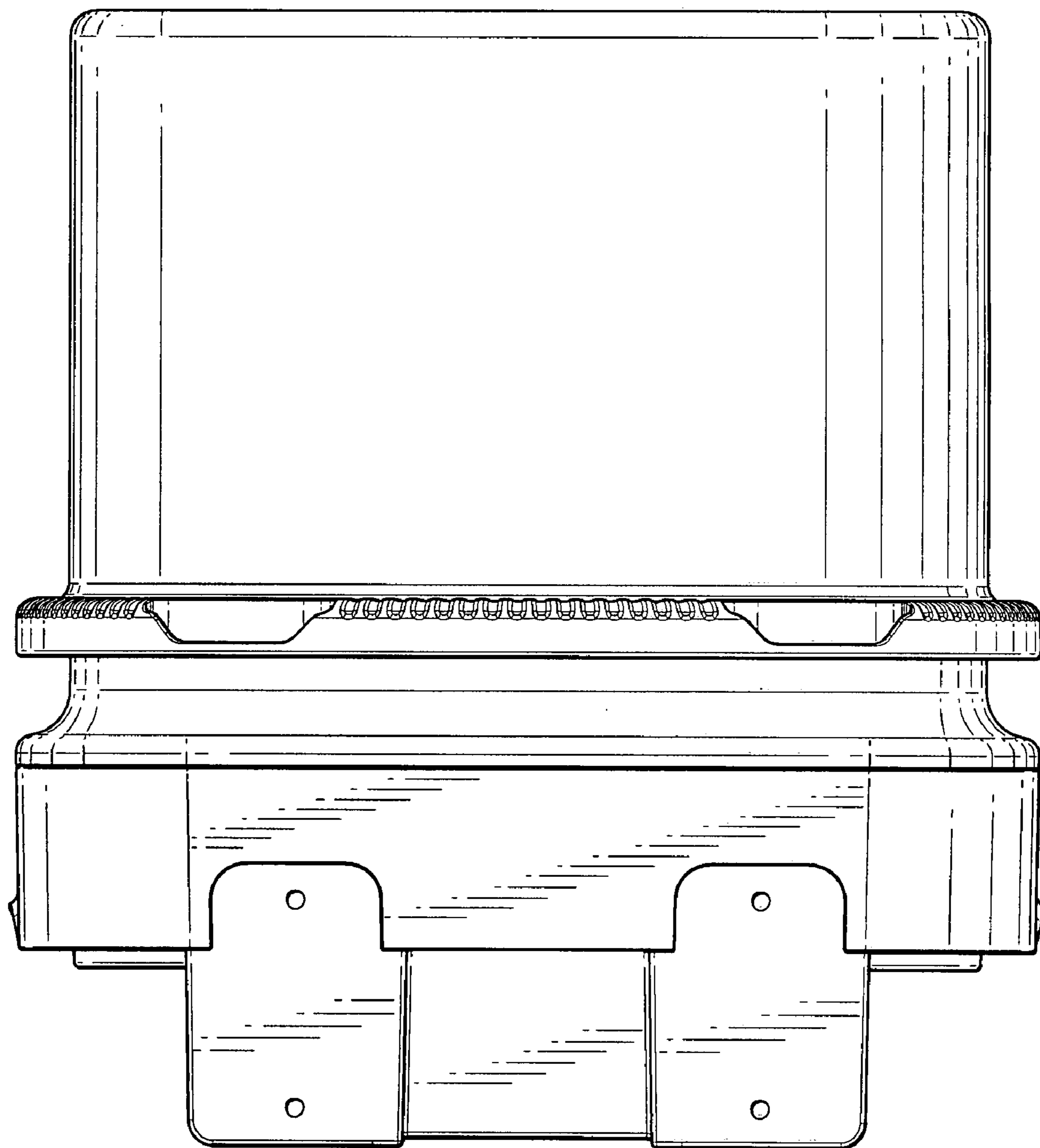


Fig. 3

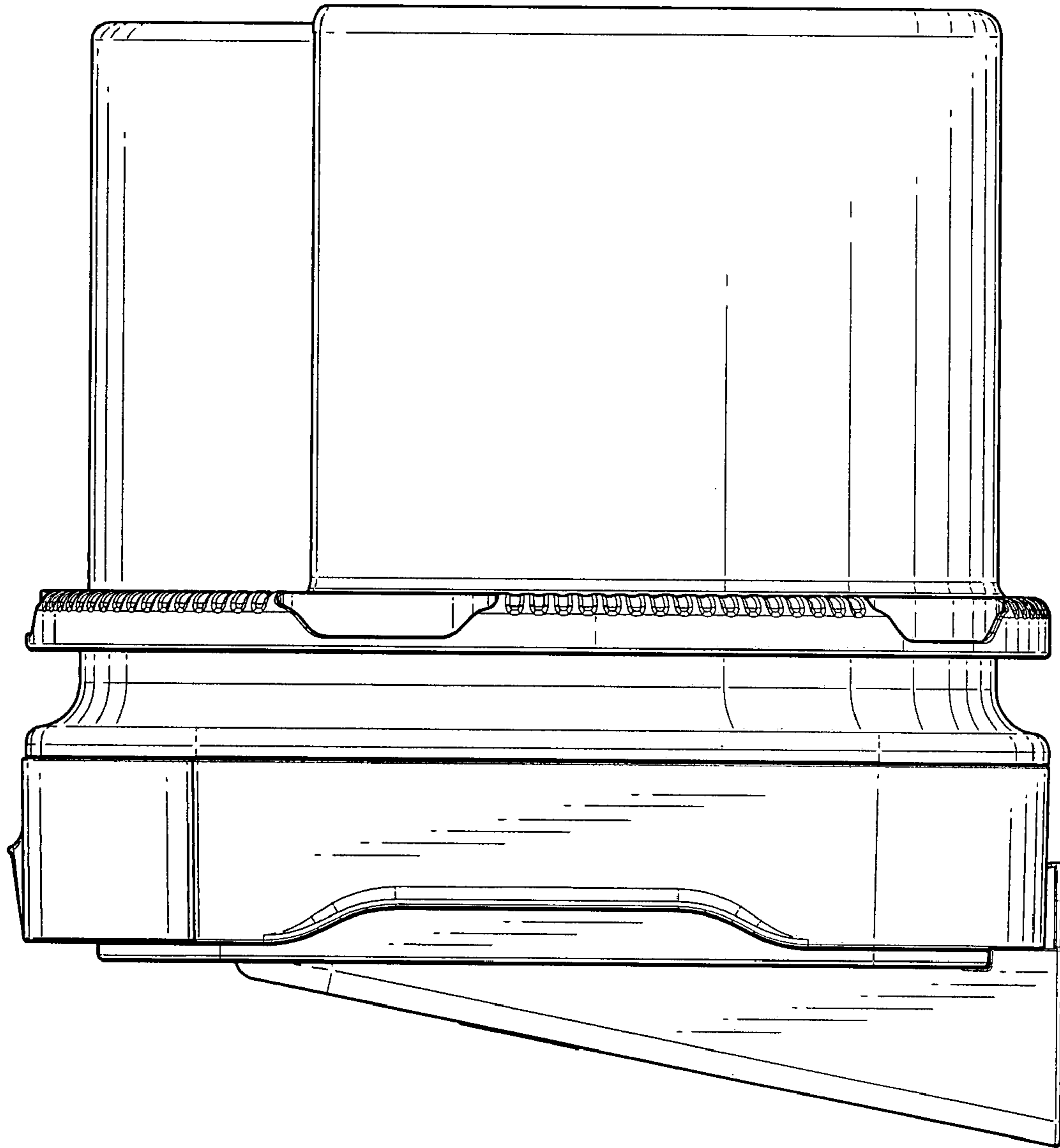


Fig. 4

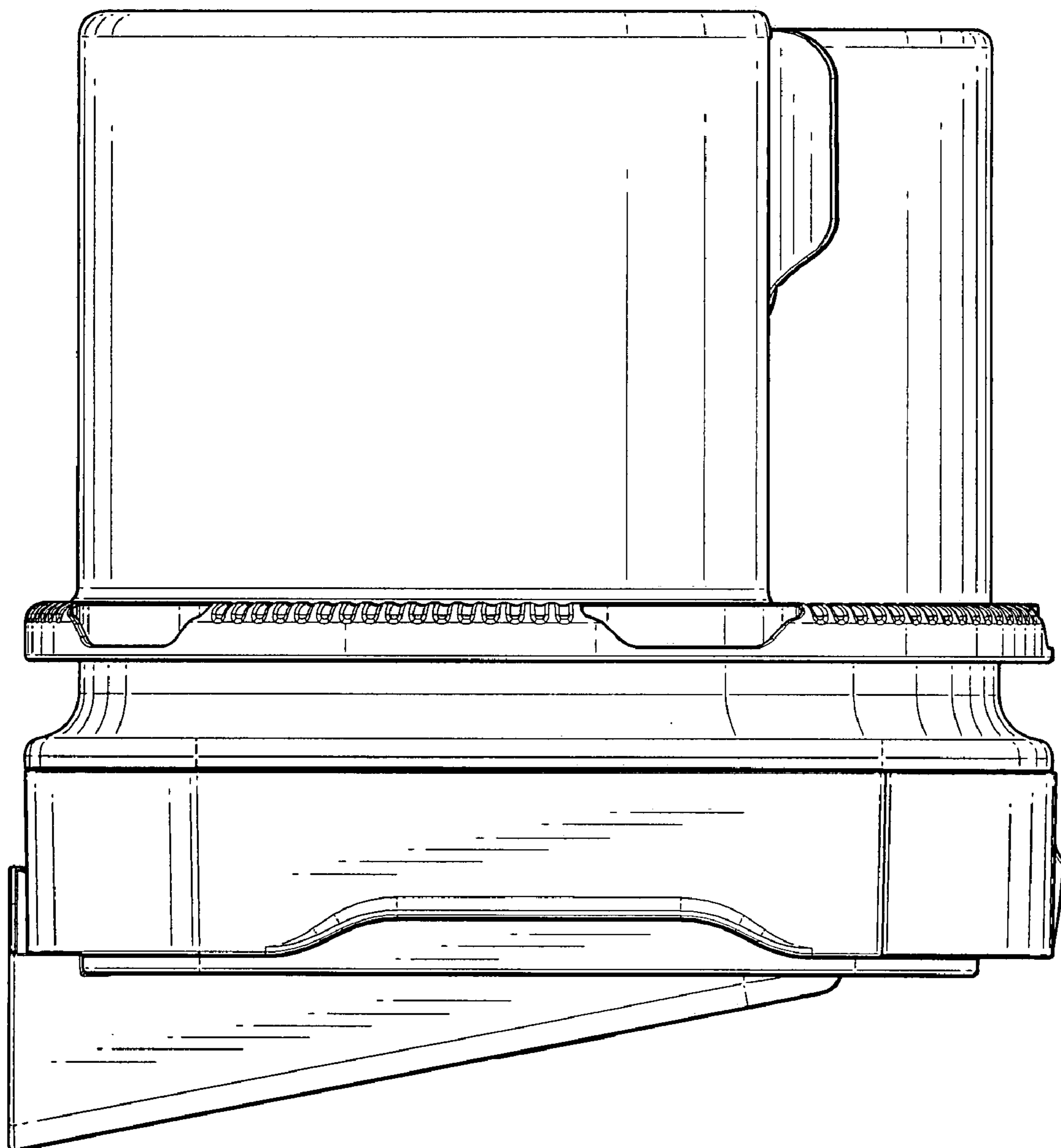


Fig. 5

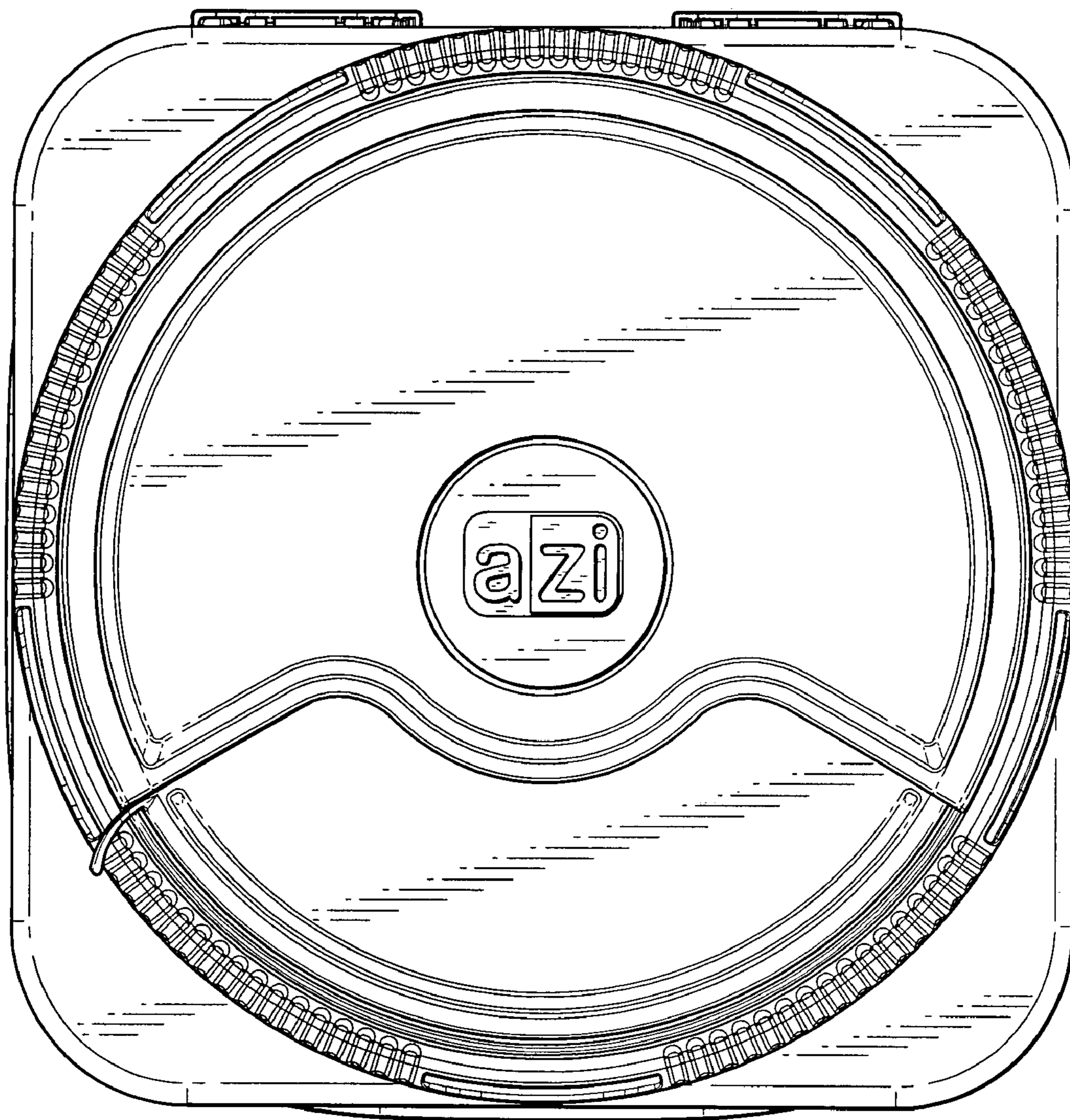


Fig. 6

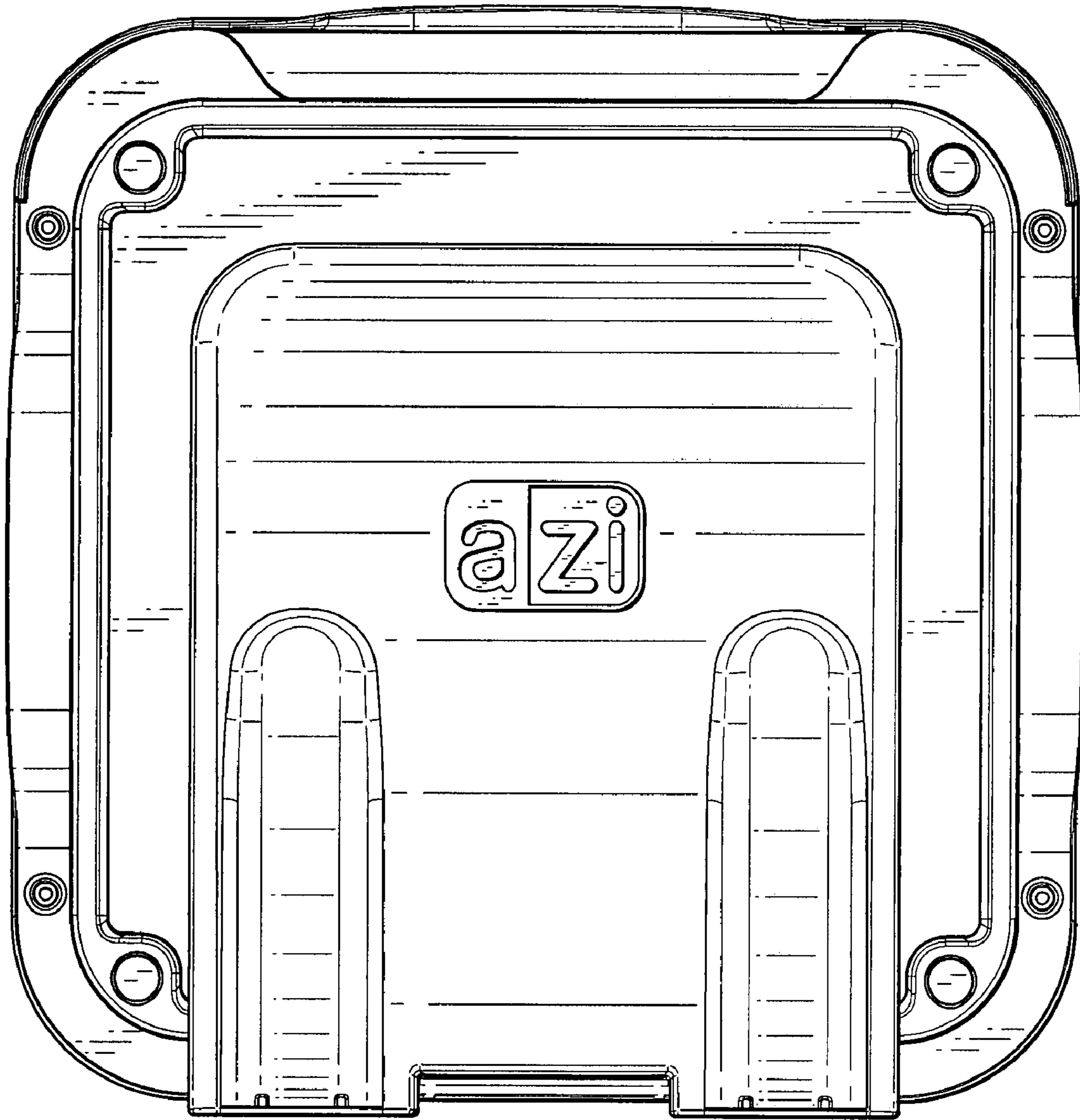


Fig. 7