



US00D555888S

(12) **United States Design Patent** (10) **Patent No.:** **US D555,888 S**  
**Le** (45) **Date of Patent:** **\*\* Nov. 27, 2007**

(54) **FOOTWEAR OUTSOLE**

D520,721 S \* 5/2006 White et al. .... D2/957  
D546,033 S \* 7/2007 Matis et al. .... D2/952

(75) Inventor: **Tuan Le**, Portland, OR (US)

\* cited by examiner

(73) Assignee: **Deckers Outdoor Corporation**, Goleta, CA (US)

*Primary Examiner*—Celia A. Murphy  
(74) *Attorney, Agent, or Firm*—Greer, Burns & Crain, Ltd.

(\*\*) Term: **14 Years**

(57) **CLAIM**

(21) Appl. No.: **29/261,750**

The ornamental design for a footwear outsole, as shown and described.

(22) Filed: **Jun. 20, 2006**

(51) **LOC (8) Cl.** ..... **02-04**

**DESCRIPTION**

(52) **U.S. Cl.** ..... **D2/960; D2/957**

FIG. 1 is a bottom perspective view of a footwear outsole showing my new design;

(58) **Field of Classification Search** ..... D2/897,  
D2/902, 909, 947, 951–960; 36/3 B, 22 R,  
36/24.5, 25 R, 32 R, 34 R, 59 C, 103; D21/447,  
D21/450

FIG. 2 is a top view thereof;

FIG. 3 is a left side view thereof;

See application file for complete search history.

FIG. 4 is a right side view thereof;

FIG. 5 is a front elevational view thereof; and,

FIG. 6 is a rear elevational view thereof.

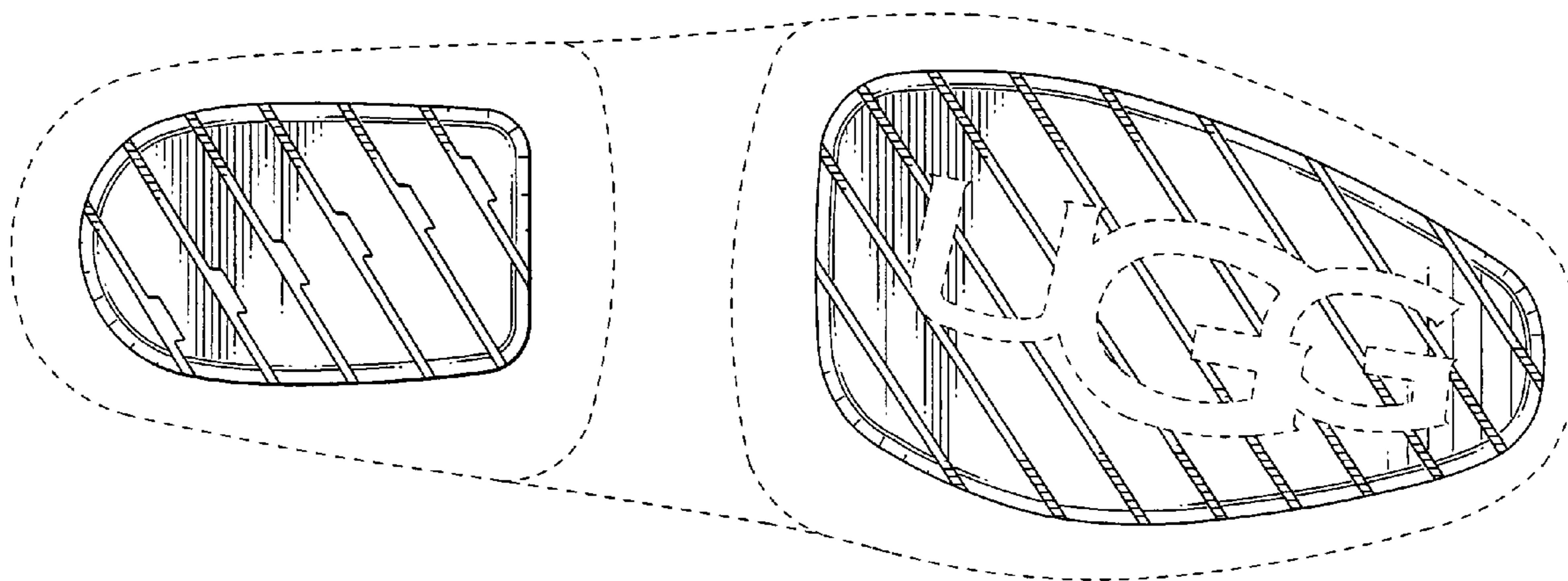
(56) **References Cited**

U.S. PATENT DOCUMENTS

1,840,514	A *	1/1932	Lapidus	.....	36/44
3,507,059	A *	4/1970	Vietas	.....	36/59 R
4,538,366	A *	9/1985	Norton	.....	36/32 R
4,676,010	A *	6/1987	Cheskin	.....	36/32 R
D292,540	S *	11/1987	Cheskin	.....	D2/959
D319,531	S *	9/1991	Barrett et al.	.....	D2/960
D472,699	S *	4/2003	Schroeder et al.	.....	D2/960
D476,470	S *	7/2003	Matis et al.	.....	D2/960

The broken lines showing the shoe upper throughout the views represent the portions of the design that form no part of the claim. The broken outlines showing the legible indicia in FIGS. 1, 2, & 5 define the boundary of the design. None of the broken lines or the areas within them forms any part of the claim.

**1 Claim, 4 Drawing Sheets**



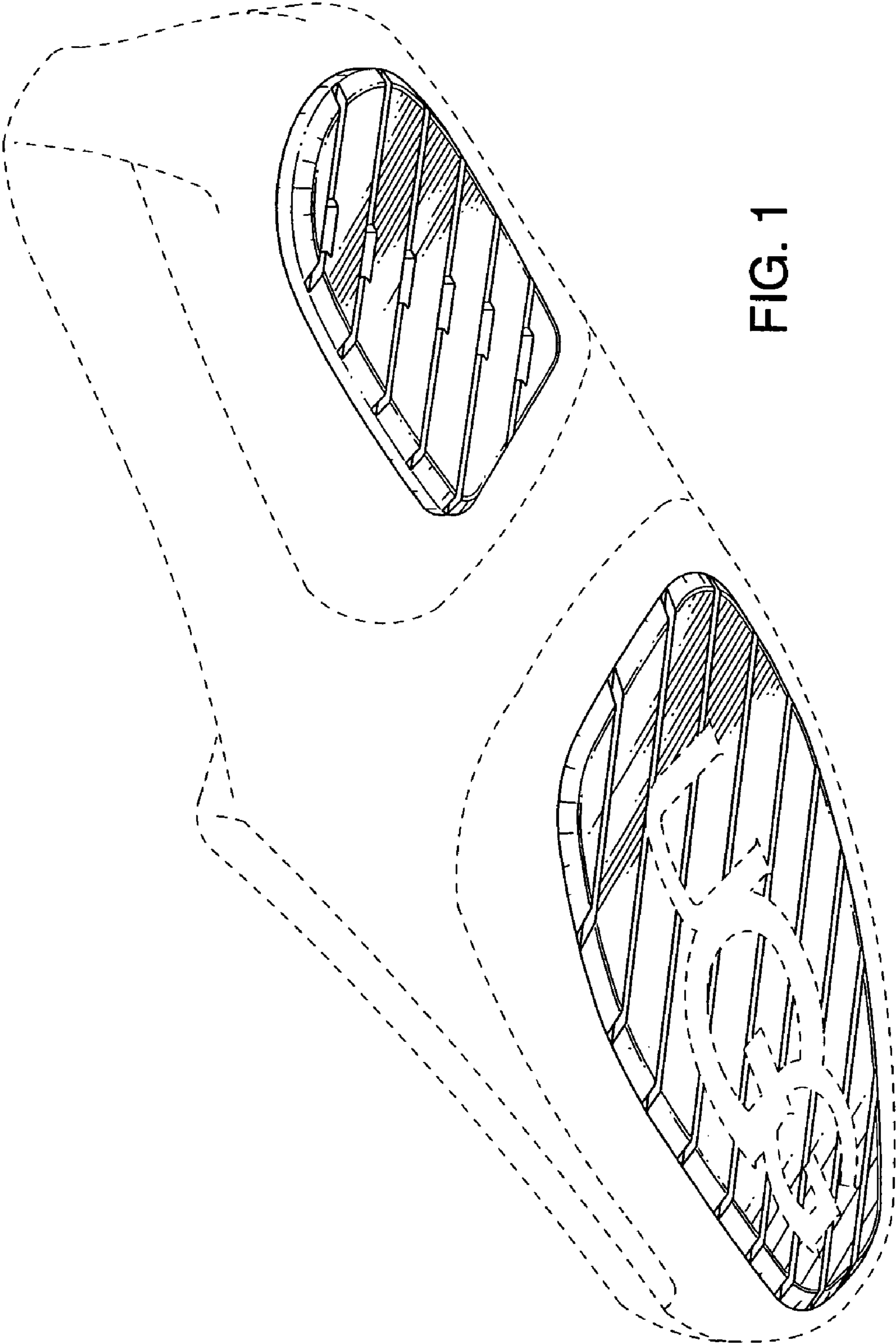


FIG. 1

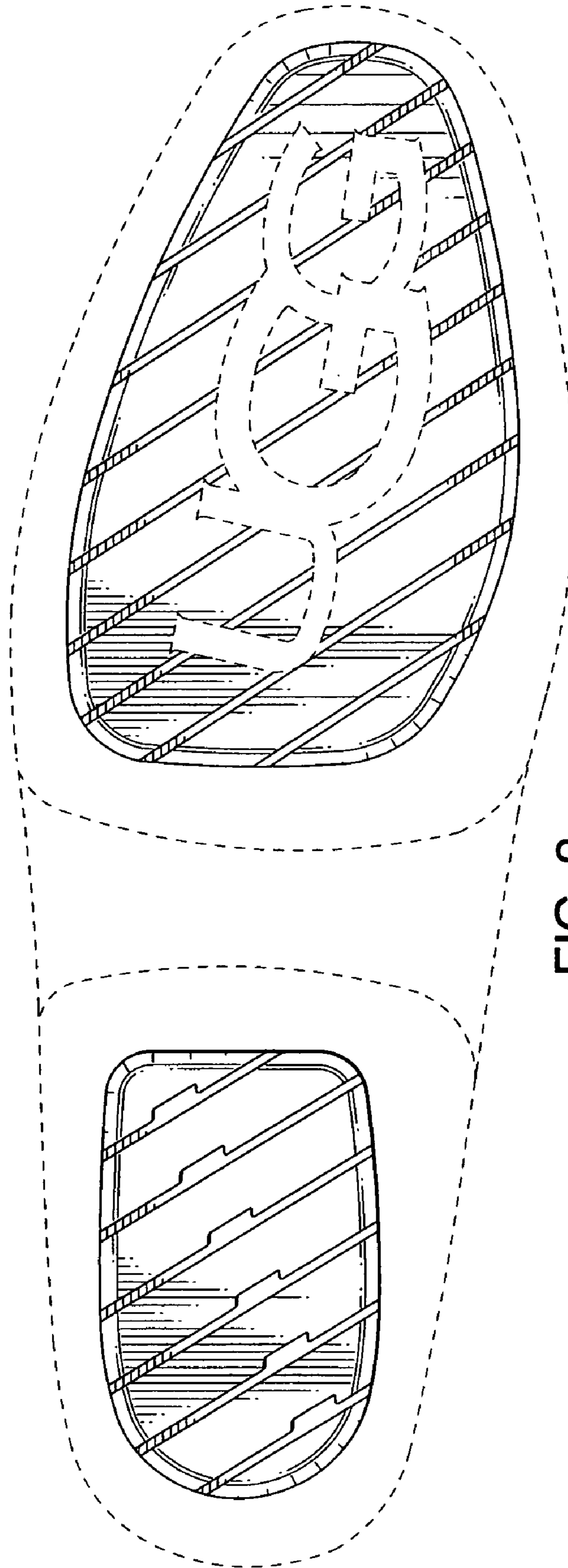


FIG. 2

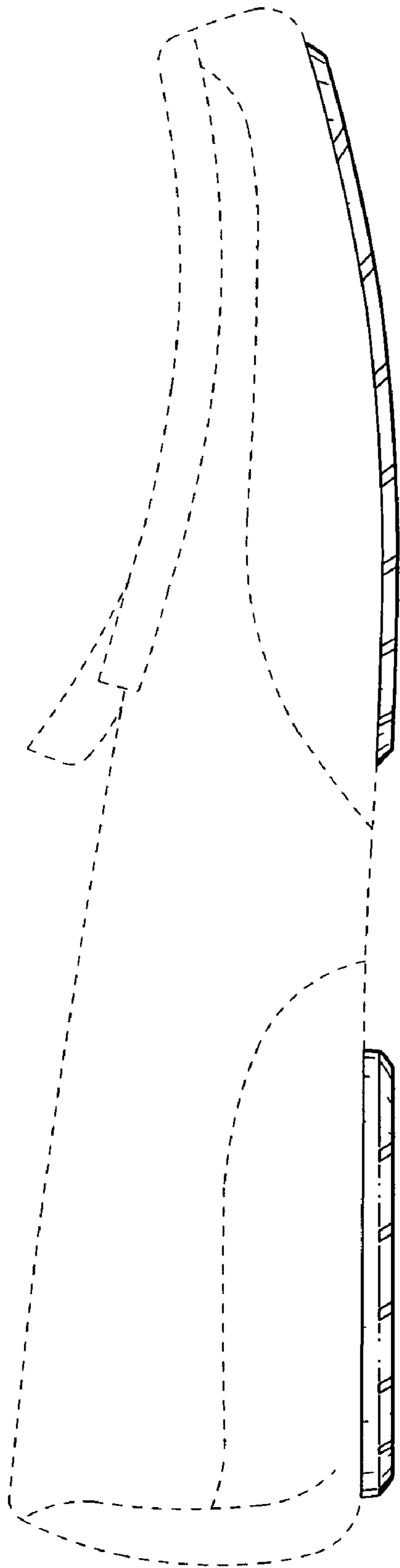


FIG. 3

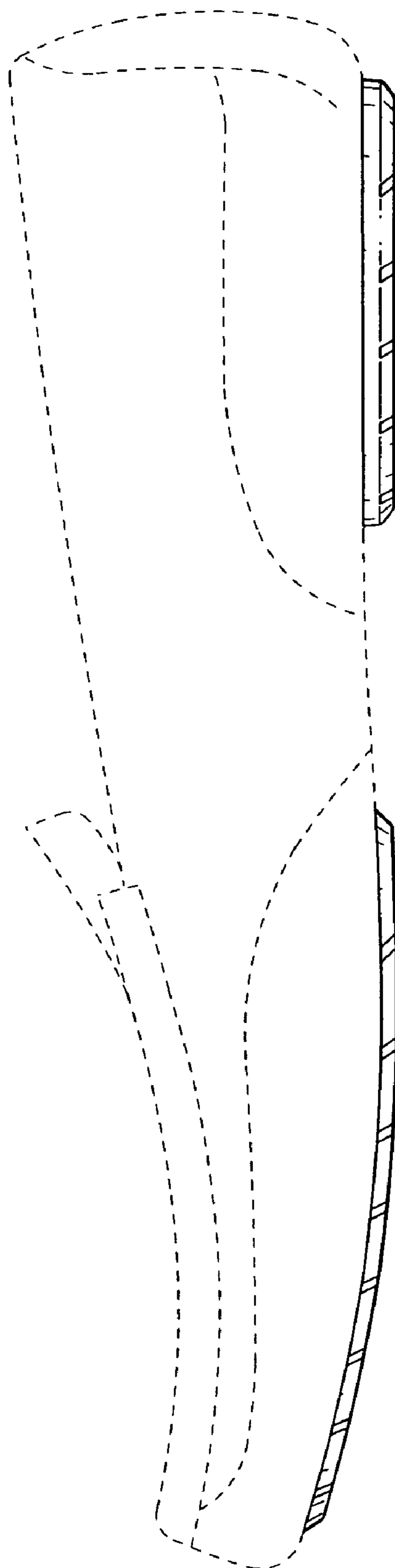


FIG. 4

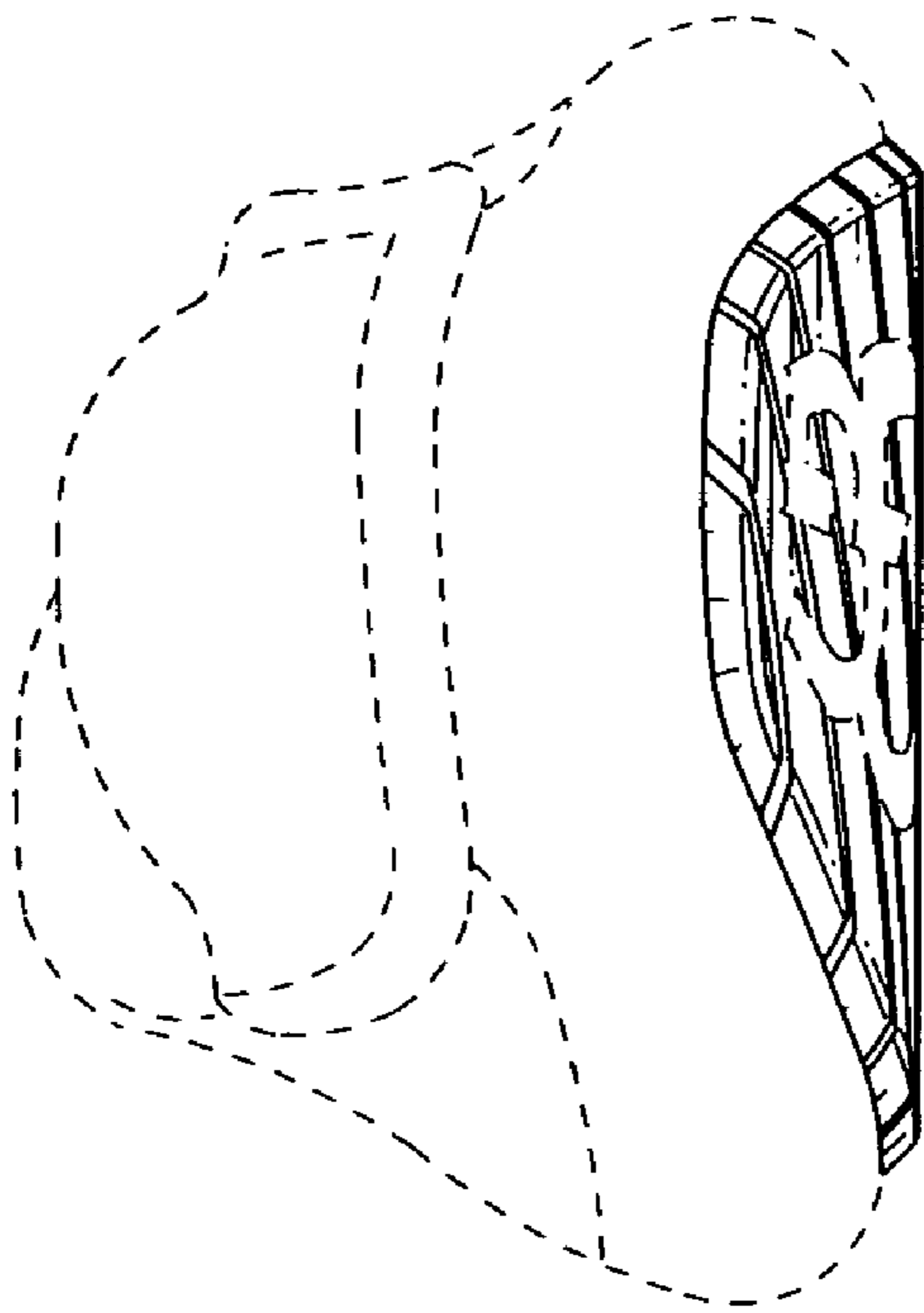


FIG. 5

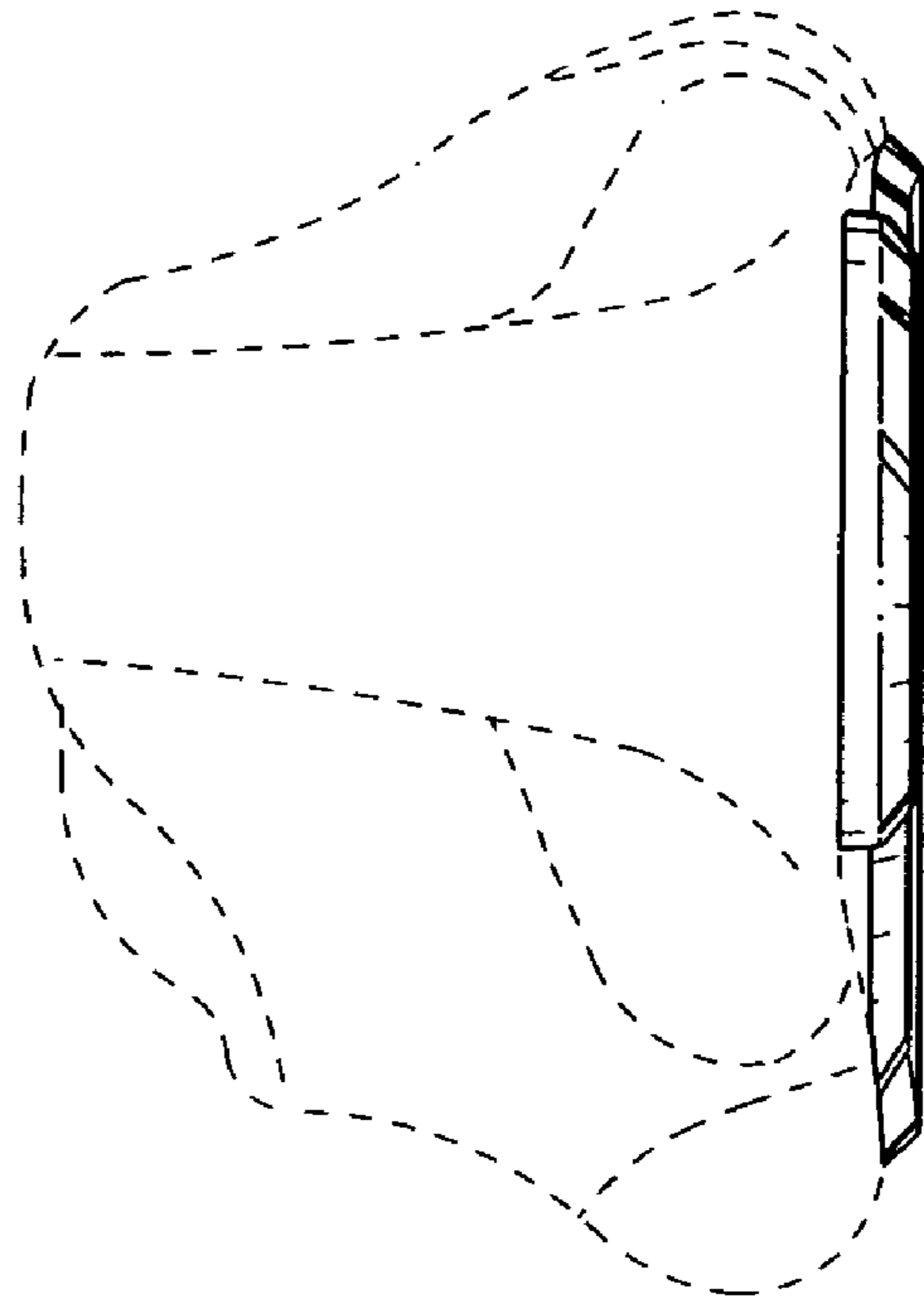


FIG. 6