

US00D555887S

(12) **United States Design Patent** (10) **Patent No.:** **US D555,887 S**
Link (45) **Date of Patent:** **** Nov. 27, 2007**

(54) **SHOE OUTSOLE**
(75) Inventor: **Kenneth Link**, Portland, OR (US)
(73) Assignee: **Nike, Inc.**, Beaverton, OR (US)
(**) Term: **14 Years**
(21) Appl. No.: **29/282,355**
(22) Filed: **Jul. 17, 2007**
(51) **LOC (8) Cl.** **02-04**
(52) **U.S. Cl.** **D2/955; D2/949**
(58) **Field of Classification Search** D2/949,
D2/955-960; D12/203; 36/32 R, 59 C,
36/103
See application file for complete search history.

D298,683 S * 11/1988 Kelley et al. D2/954
D298,883 S 12/1988 Tanel
D299,584 S 1/1989 Franklin et al.
D304,521 S 11/1989 Clark
D305,279 S 1/1990 Hase
4,897,936 A 2/1990 Fuerst
D307,971 S * 5/1990 Maccano et al. D2/953
D308,906 S * 7/1990 Kiyosawa D2/953
D310,131 S 8/1990 Hase
D310,132 S 8/1990 Hase
D316,175 S 4/1991 Legacki et al.
D325,806 S 5/1992 Austin
D325,808 S 5/1992 Austin
D326,768 S 6/1992 Kawasaki

(Continued)

OTHER PUBLICATIONS

NIKE Footwear Catalog, Spring 1991, pp. 68 and 126, published Jun. 1990.

(Continued)

(56) **References Cited**
U.S. PATENT DOCUMENTS

D32,766 S * 5/1900 Maynard D2/959
825,869 A * 7/1906 Sandeman 36/59 R
D39,747 S 1/1909 McKenna
1,440,060 A * 12/1922 Conger 36/59 C
D80,223 S 12/1929 Grosjean
1,857,975 A * 5/1932 Reynolds 36/73
D90,450 S 8/1933 Oakley
2,229,406 A * 1/1941 Cutler 36/59 R
D145,944 S * 11/1946 Knisely D2/955
D241,688 S * 10/1976 Johnson D2/955
D248,429 S 7/1978 Inohara
4,120,102 A * 10/1978 Kenigson 36/71
D259,595 S * 6/1981 Famolare, Jr. D2/955
D281,543 S 12/1985 Nagano
D281,641 S 12/1985 Shiki
D285,985 S 10/1986 Tong
D290,182 S 6/1987 Chen
D293,503 S * 1/1988 Mitsui et al. D2/953
D293,620 S 1/1988 Liggett et al.
D294,769 S 3/1988 Liggett et al.
D295,692 S 5/1988 Zuidema et al.
D296,038 S * 6/1988 Diaz D2/955

Primary Examiner—Celia A. Murphy
(74) *Attorney, Agent, or Firm*—Banner & Witcoff, Ltd.

(57) **CLAIM**

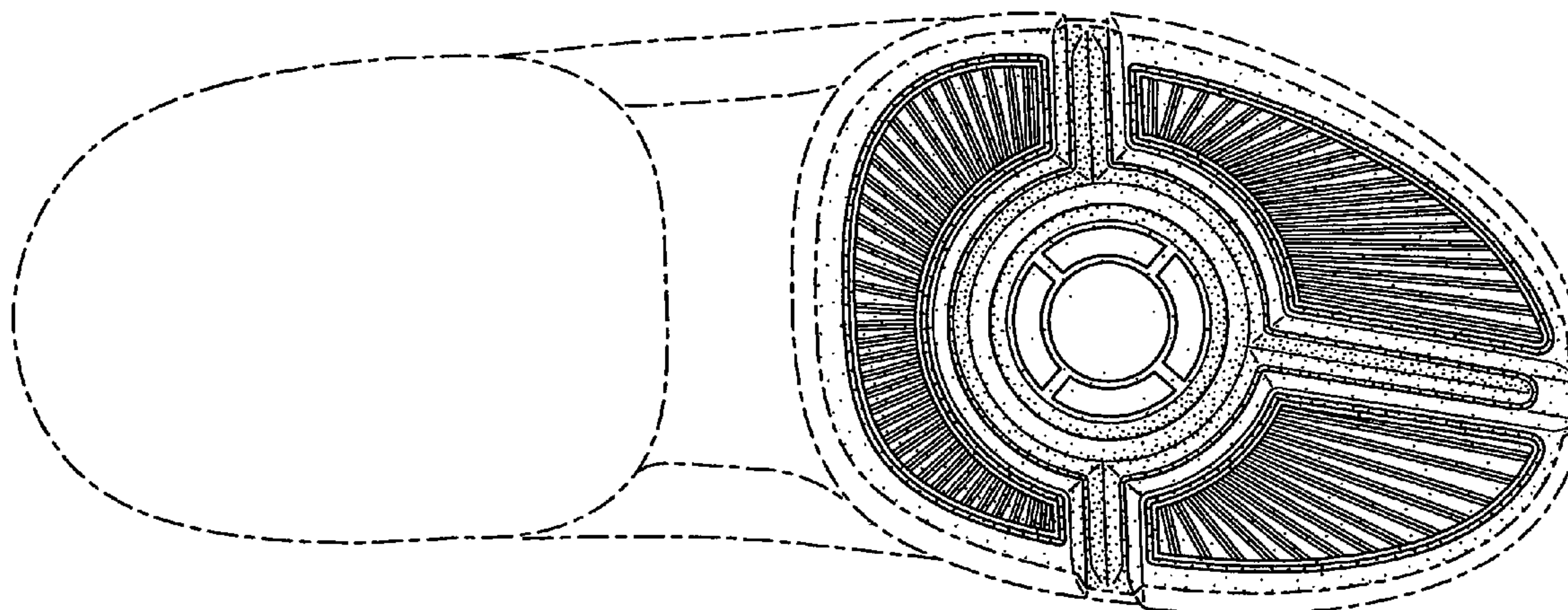
The ornamental design for a shoe outsole, as shown and described.

DESCRIPTION

FIG. 1 is a bottom front perspective view of a shoe outsole showing my new design;
FIG. 2 is a bottom rear perspective view thereof; and,
FIG. 3 is a bottom view thereof.

The uneven broken lines immediately adjacent to the shaded area represent unclaimed boundaries of the design. The uneven broken line showing of the remainder of the shoe is for illustrative purposes only and forms no part of the claimed design.

1 Claim, 3 Drawing Sheets



US D555,887 S

Page 2

U.S. PATENT DOCUMENTS

D384,796 S 10/1997 Smith, III
D396,549 S 8/1998 von Conta et al.
D400,344 S 11/1998 Avar
D401,043 S 11/1998 Truelsen
6,176,025 B1 * 1/2001 Patterson et al. 36/28
D457,845 S * 5/2002 Kraines D12/203
D458,011 S * 6/2002 Yang D2/954
D468,082 S * 1/2003 Brown D2/955
D471,850 S * 3/2003 Kraines D12/203
D512,208 S * 12/2005 Kubo et al. D2/960
D514,286 S * 2/2006 Kayano et al. D2/955
7,107,708 B2 * 9/2006 Kelly et al. 36/134

D536,861 S 2/2007 Rasmussen
D544,183 S * 6/2007 Hull D2/955
D548,433 S * 8/2007 McClaskie D2/952

OTHER PUBLICATIONS

NIKE Footwear Catalog, Fall 1994, p. 84, published Nov. 1993.
NIKE Footwear Catalog, Fall 1996, pp. 78, 150 and 185, published
Dec. 1989.
NIKE Footwear Catalog, Fall 1999, p. M127, published Nov. 1998.
NIKE Footwear Catalog, Holiday 2002, pp. M46 and W26, pub-
lished Mar. 2002.

* cited by examiner

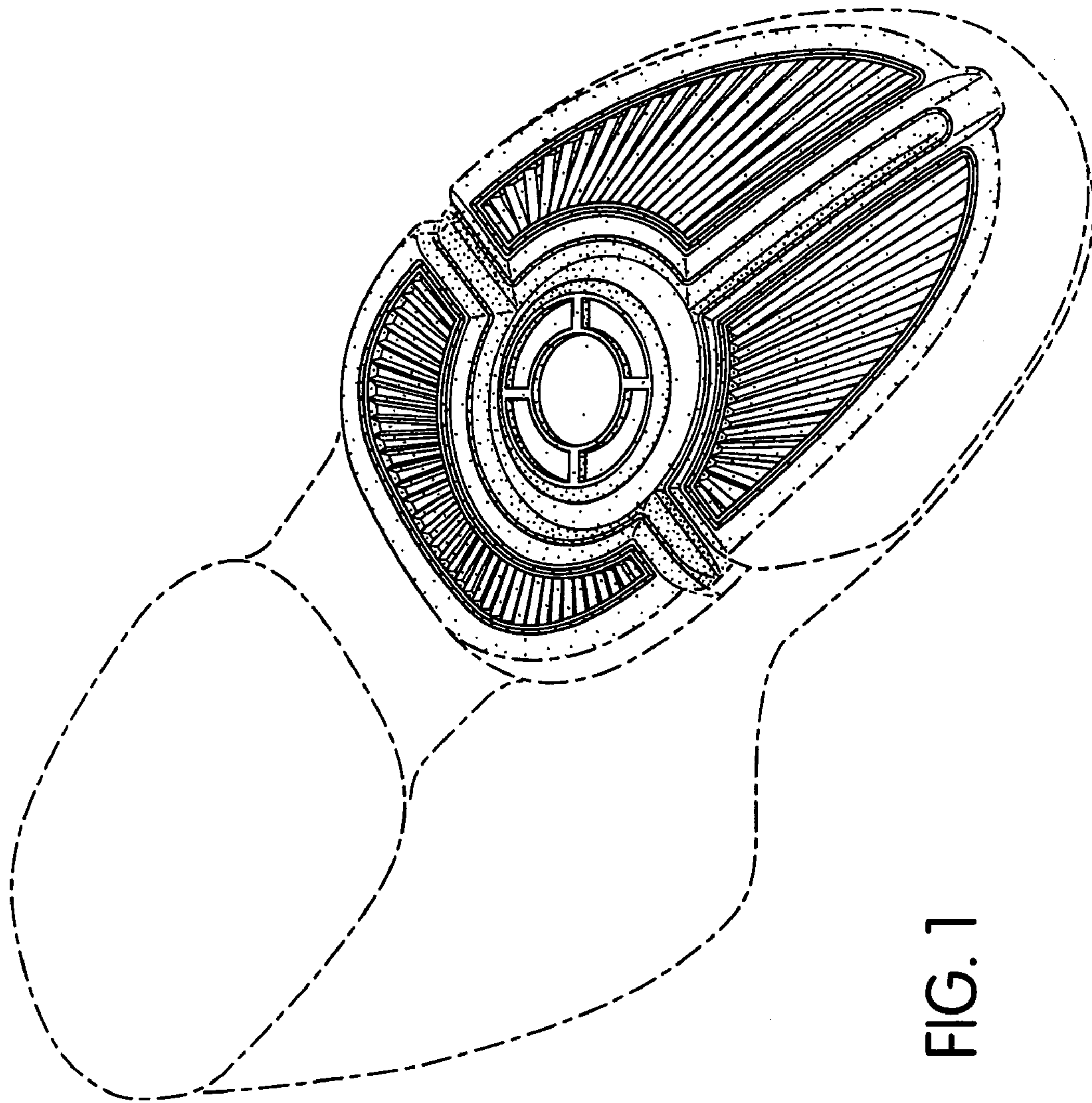


FIG. 1

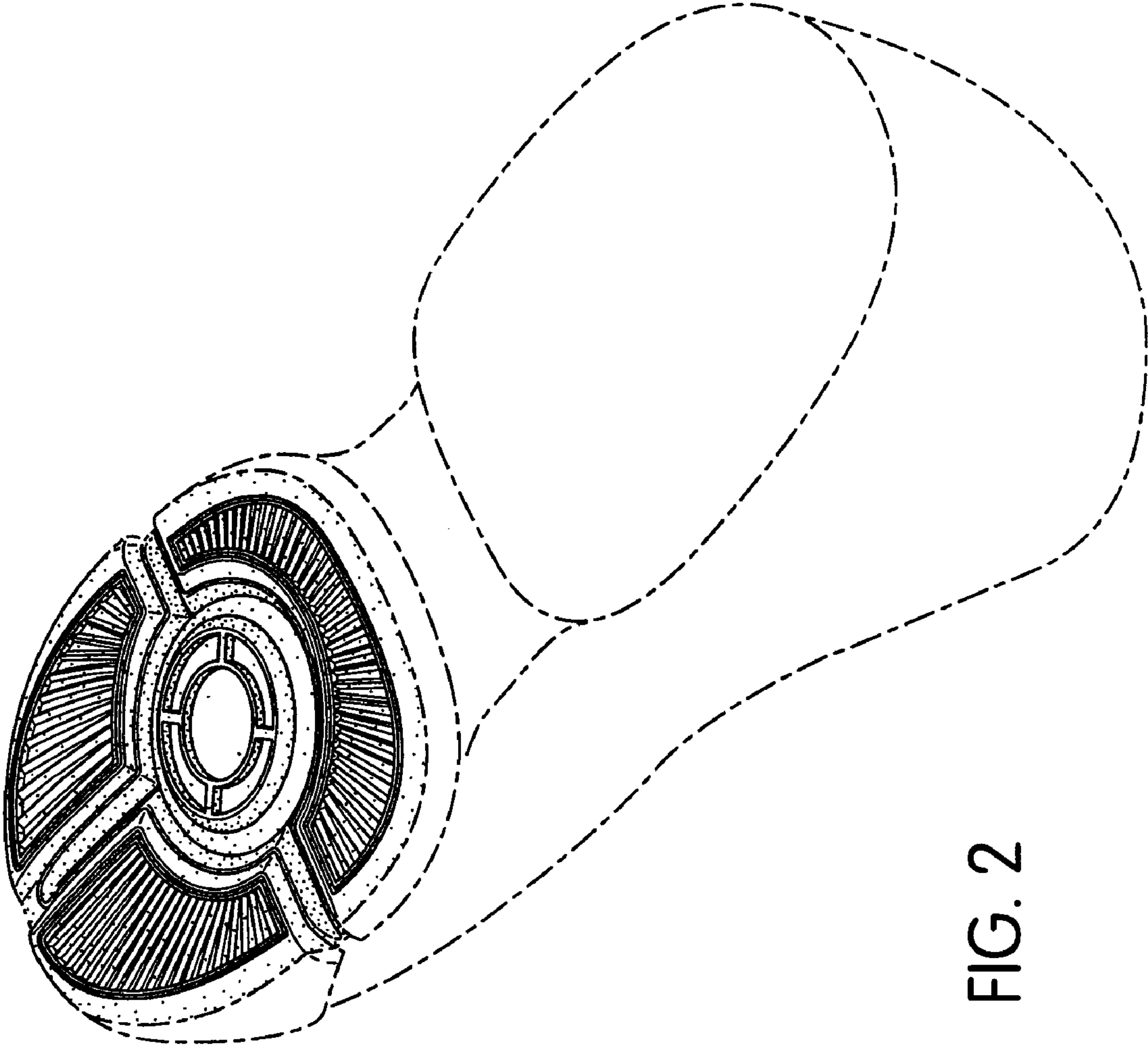


FIG. 2

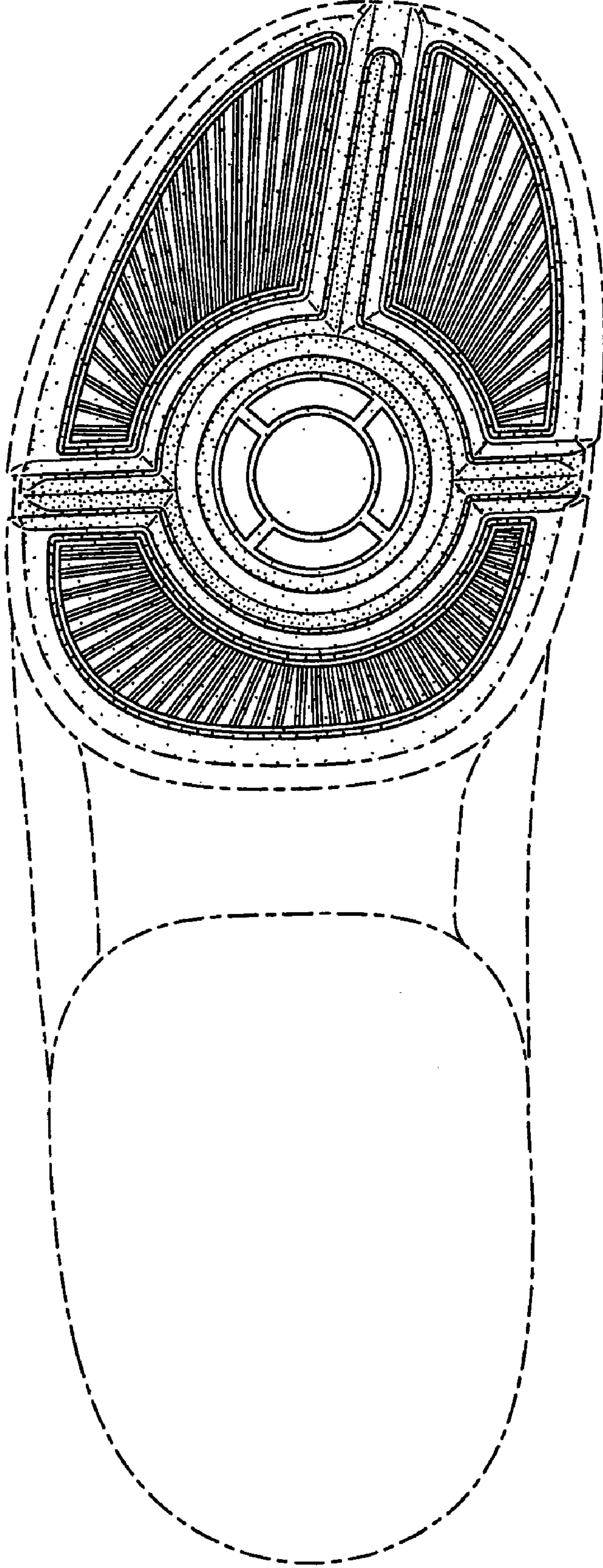


FIG. 3