



US00D555878S

(12) **United States Design Patent**
Bay

(10) **Patent No.:** **US D555,878 S**

(45) **Date of Patent:** **** Nov. 27, 2007**

(54) **RECONFIGURABLE MOTORCYCLE JACKET**

(75) Inventor: **Marc A. Bay**, Farmington, MI (US)

(73) Assignee: **Robison's Inc.**, Idaho Falls, ID (US)

(**) Term: **14 Years**

(21) Appl. No.: **29/286,443**

(22) Filed: **May 4, 2007**

(51) **LOC (8) Cl.** **02-02**

(52) **U.S. Cl.** **D2/828; D2/830**

(58) **Field of Classification Search** D2/828,
D2/830, 836, 839; 2/59, 86, 93, 95-97, 101,
2/126, DIG. 1

See application file for complete search history.

(56) **References Cited**

U.S. PATENT DOCUMENTS

317,711 A 5/1885 Brinkmann

(Continued)

FOREIGN PATENT DOCUMENTS

BE 494309 3/1950

(Continued)

OTHER PUBLICATIONS

LeatherUp.com. http://www.leatherup.com/product.asp?pf_id=LRX%2DPINK%2DJACKET. Date Unknown: Viewed Jul. 2007. Women's Cortech LRX Pink Sport Jacket: center of page.*

(Continued)

Primary Examiner—Ian Simmons

Assistant Examiner—R. Johnson

(74) *Attorney, Agent, or Firm*—Harness, Dickey & Pierce, P.L.C.

(57) **CLAIM**

I claim the ornamental design for a reconfigurable motorcycle jacket, as shown and described.

DESCRIPTION

FIG. 1 is a front elevational view of a jacket showing removable outer shells attached to a jacket body in an assembled configuration of my new design;

FIG. 2 is a rear elevational view of the jacket showing the removable outer shells attached to the jacket body in the assembled configuration of my new design;

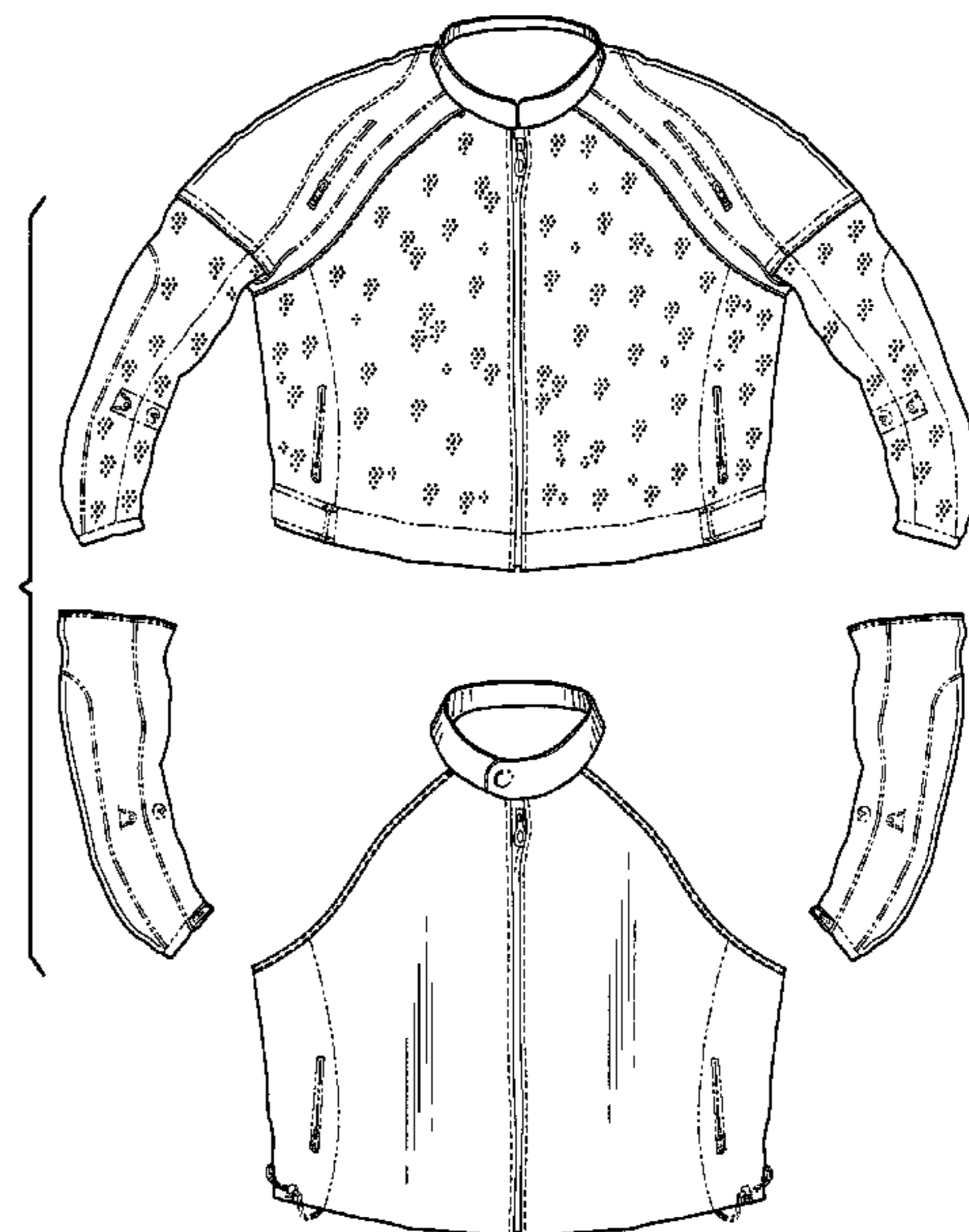
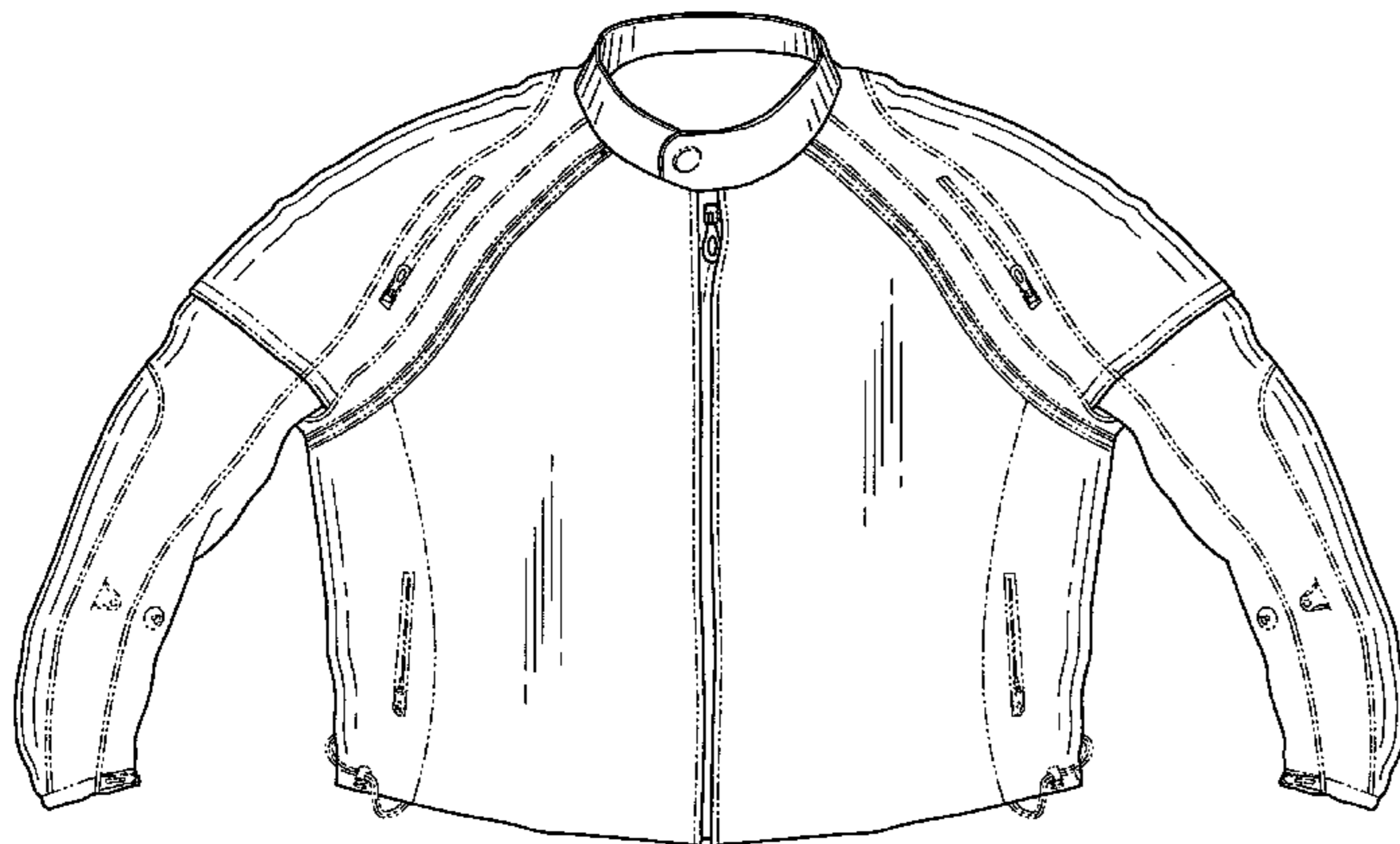
FIG. 3 is a top plan view of the jacket showing the removable outer shells attached to the jacket body in the assembled configuration of my new design.

FIG. 4 is an exploded front elevational view showing the removable outer shells detached from the jacket body in a disassembled configuration, exposing the open mesh of the jacket body of my new design; and,

FIG. 5 is an exploded rear elevational view showing the removable outer shells detached from the jacket body in a disassembled configuration, exposing the open mesh of the jacket body of my new design.

The broken line illustration symbolizing stitching as well as the remainder of the broken lines on the surface of the jacket, illustrate portions of the design that form no part of the claim. The partial mesh samples shown along the lower torso segment and lower sleeve segments indicate a continuous open mesh pattern between the partial mesh samples illustrated.

1 Claim, 5 Drawing Sheets



US D555,878 S

U.S. PATENT DOCUMENTS					
		4,646,366	A *	3/1987	Nishida et al. 2/108
367,921	A 8/1887	4,665,563	A	5/1987	Harvey
375,504	A 12/1887	4,722,099	A	2/1988	Kratz
385,306	A 6/1888	4,783,858	A	11/1988	Chevalier
1,015,231	A 1/1912	D306,511	S	3/1990	Jones
1,121,515	A 12/1914	D308,435	S	6/1990	Kushitani
1,169,256	A * 1/1916	D310,286	S	9/1990	Kushitani
		4,996,723	A	3/1991	Huhn et al.
1,250,004	A 12/1917	5,033,118	A	7/1991	Lincoln
1,360,390	A 11/1920	5,097,535	A	3/1992	Dye et al.
1,626,450	A * 4/1927	5,105,477	A	4/1992	Golde
		5,105,478	A	4/1992	Pye
1,647,656	A 11/1927	5,115,516	A	5/1992	Golde
1,648,282	A 11/1927	D332,342	S	1/1993	Dye et al.
1,679,102	A 7/1928	5,189,737	A	3/1993	Ribicic
1,693,464	A 11/1928	5,201,075	A	4/1993	Svetich
1,714,491	A 5/1929	5,325,537	A	7/1994	Marion
1,782,000	A 11/1930	5,398,343	A	3/1995	Kuracina
1,799,572	A 4/1931	5,507,042	A	4/1996	van der Sleseen
1,971,622	A 8/1934	5,555,562	A	9/1996	Holt et al.
1,973,421	A 9/1934	5,592,691	A	1/1997	Ronald
2,010,434	A 8/1935	5,603,646	A	2/1997	Tobias
2,073,711	A 3/1937	5,685,015	A	11/1997	Aldridge
2,079,980	A 5/1937	5,687,423	A	11/1997	Ross
2,084,173	A 6/1937	D387,190	S	12/1997	Garcia
2,100,991	A 11/1937	5,704,064	A	1/1998	van der Sleseen
2,114,514	A 4/1938	5,718,000	A	2/1998	Ost et al.
D115,983	S 8/1939	5,752,277	A	5/1998	van der Sleseen
2,186,918	A 1/1940	5,774,891	A	7/1998	Boyer
D119,122	S 2/1940	5,845,336	A	12/1998	Golde
2,255,183	A * 9/1941	5,850,634	A	12/1998	Toombs
		5,852,828	A	12/1998	Foster
2,259,560	A 10/1941	5,864,888	A	2/1999	Archer
D130,692	S * 12/1941	5,884,332	A	3/1999	Snedeker
		5,918,310	A	7/1999	Farahany
2,391,535	A 12/1945	5,924,135	A	7/1999	Worth
2,458,004	A * 1/1949	5,933,865	A	8/1999	Aldridge
		6,018,819	A	2/2000	King et al.
2,469,700	A 5/1949	D426,050	S	6/2000	Bowen
		6,070,274	A	6/2000	van der Sleseen
D160,800	S 11/1950	6,085,353	A	7/2000	van der Sleseen
2,585,840	A 2/1952	6,119,270	A	9/2000	Chou
2,644,946	A 7/1953	6,161,223	A	12/2000	Andrews
2,700,769	A 2/1955	6,163,883	A	12/2000	Hong
2,713,168	A 7/1955	D437,673	S	2/2001	DesJardins et al.
2,715,226	A 8/1955	D438,692	S	3/2001	Digby
2,722,694	A 11/1955	6,260,196	B1	7/2001	van der Sleseen
3,045,243	A 7/1962	6,260,200	B1	7/2001	Alfred
3,086,215	A 4/1963	6,263,509	B1	7/2001	Bowen
3,153,793	A 10/1964	6,263,510	B1	7/2001	Bay et al.
3,213,465	A 10/1965	6,263,511	B1	7/2001	Moretti
3,389,407	A 6/1968	6,295,654	B1	10/2001	Farrell
3,536,083	A 10/1970	6,298,485	B1	10/2001	Heller
D220,822	S 5/1971	D452,988	S *	1/2002	Ergezinger et al. D2/743
3,638,241	A 2/1972	6,339,843	B1	1/2002	Grilliot et al.
3,691,564	A 9/1972	6,339,845	B1	1/2002	Burns et al.
3,706,102	A 12/1972	6,360,371	B1	3/2002	Davey
3,731,319	A 5/1973	6,405,377	B1	6/2002	Davis
3,761,962	A 10/1973	6,421,834	B2	7/2002	Kester
3,771,169	A 11/1973	6,460,185	B1	10/2002	Hardy
3,921,224	A 11/1975	6,490,734	B2	12/2002	Blauer et al.
3,924,273	A 12/1975	6,499,141	B1	12/2002	Egnew
3,969,772	A 7/1976	D474,323	S	5/2003	Carter
D248,896	S 8/1978	D479,901	S	9/2003	Brownlee
4,122,553	A 10/1978	D479,902	S	9/2003	Brown
4,149,272	A * 4/1979	6,675,389	B1	1/2004	Kublick
		6,684,408	B2	2/2004	Rindle et al.
4,170,793	A 10/1979	6,792,621	B2	9/2004	Braun
4,185,327	A 1/1980	6,802,082	B2	10/2004	Watley
4,195,362	A 4/1980	D498,037	S	11/2004	Bay
D261,071	S 10/1981	6,851,128	B1	2/2005	Parrotte
4,390,996	A 7/1983	6,854,130	B2	2/2005	van der Sleseen
4,397,043	A 8/1983	6,868,557	B1	3/2005	van der Sleseen
4,408,356	A 10/1983				
4,513,451	A 4/1985				
4,554,682	A 11/1985				
4,563,777	A 1/1986				
4,569,089	A 2/1986				
4,608,715	A 9/1986				

D517,281 S	3/2006	Tanner et al.	JP	53-155409	12/1978
7,017,191 B2	3/2006	Golde	JP	55-176314	12/1980
D526,465 S	8/2006	Rindle	JP	56-15732	2/1981
D526,469 S	8/2006	Collier	JP	57-147212	9/1982
7,111,328 B2 *	9/2006	Bay 2/86	JP	58-105410	7/1983
D529,687 S	10/2006	Rindle	JP	59-4722	1/1984
7,171,695 B2	2/2007	Braun	JP	61-94510	6/1986
7,181,774 B2	2/2007	Silver	JP	7-2417	1/1995
2001/0050492 A1 *	12/2001	Janevski 296/39.1	JP	8-284009	10/1996
2003/0013368 A1	1/2003	Braun	WO	WO 94/00036	1/1994
2003/0033656 A1	2/2003	Jaeger	WO	WO 96/39056	12/1996
2003/0051286 A1 *	3/2003	Gregg 2/93	WO	WO 02/01977	1/2002
2003/0172435 A1	9/2003	Rindle et al.	WO	WO 02/060287	8/2002
2004/0055069 A1	3/2004	Fayle et al.	WO	WO 03/006234	1/2003
2005/0015843 A1	1/2005	Roux et al.			
2005/0066406 A1	3/2005	Sleesen			
2006/0041990 A1	3/2006	Alesina et al.			
2006/0277653 A1	12/2006	Okajima			

FOREIGN PATENT DOCUMENTS

BE	494309	*	7/1950
CA	1056553		6/1979
CA	2 344 726		10/2002
DE	517523		1/1931
EP	0 000 095		12/1978
EP	0 034 518		1/1981
EP	0 071 226		2/1983
EP	0 161 564		11/1985
EP	0 412 450		2/1991
EP	0 643 929		3/1995
EP	0 819 389		1/1998
EP	0 870 745		10/1998
EP	0 913 170		6/1999
EP	0 974 277		1/2000
EP	1 329 167	A2	7/2003
FR	1.029.851		3/1953
FR	1.220.511		1/1960
FR	2.094.362		1/1972
FR	2 127 140		9/1972
FR	2 413 052		12/1977
FR	2 460 634		7/1979
FR	2 546 759		12/1984
FR	2557435	A1 *	7/1985
FR	2 783 138		3/2000
GB	461247		2/1937
GB	2 104 770	A	3/1983
JP	48-12006		2/1973
JP	49-9409		1/1974
JP	50-11703		2/1975

OTHER PUBLICATIONS

Harley-Davidson USA: Motorclothes Merchandise. http://www.harley-davidson.com/mcm/mcm_main.jsp?locale=en_US&bmLocale=en_US. Copyright 2001-2007. Men's Reflective Skull Leather Jacket: center of page.*

Team Estrogen.com. <http://www.teamestrogen.com/products.asp?pid=21287>. Copyright 1998-2006. Gore Bike Wear Phantom Jacket—Detachable Sleeves: center of page.*

Cycle Shop USA.com. <http://www.cycleshopusa.com/products.asp?nm=3288>. Jan. 2006. Joe Rocket Ladies Lotus Motorcycle Jacket: center of page.*

2001 Kushitani Riding Equipment Collection, 2001, 9 pages.

Fieldsheer Mach 1, Mach 2, Sonic Air, Titanium Air, Highland Suit, Highland 2, Kiri, Manx Pro, Spiga, Thistle, XPack Tech, Cabrio, Latrak jackets; <http://store.fieldsheer.com> (Feb. 8, 2003).

Japanese publication with English translation entitled "Proto War-RJ" citing Kiss Racing, (believed to have been published in 2000).

European Search Report for EP 03 29 1709, 2 pages, Jun. 2005.

Five photographs of Joe Rocket® "Bulldog" jacket (offered for sale before 2003).

"Joe Rocket" Catalog, Spring 2002, (published 2002), Cover page and pp. 4-5, 13, 32 and 35.

"Steve Largent Autographed Football Jersey Mesh", Advertisement from COLLECTIBLES.GOANTIQUES.COM, 1996-2003, (published Feb. 8, 2003), 1 page.

Drawing of Fieldsheer Jacket with removable torso vest (offered for sale or publicly used prior to Feb. 13, 2003), 1 page.

2000 Motorcycle—Joe Rocket brochure, back page and p. 5 ("Bulldog" jacket), published in 1999.

Fieldsheer Advertisement from FIELDSHEERONLINE.COM, 3 pages, Dec. 2002.

* cited by examiner

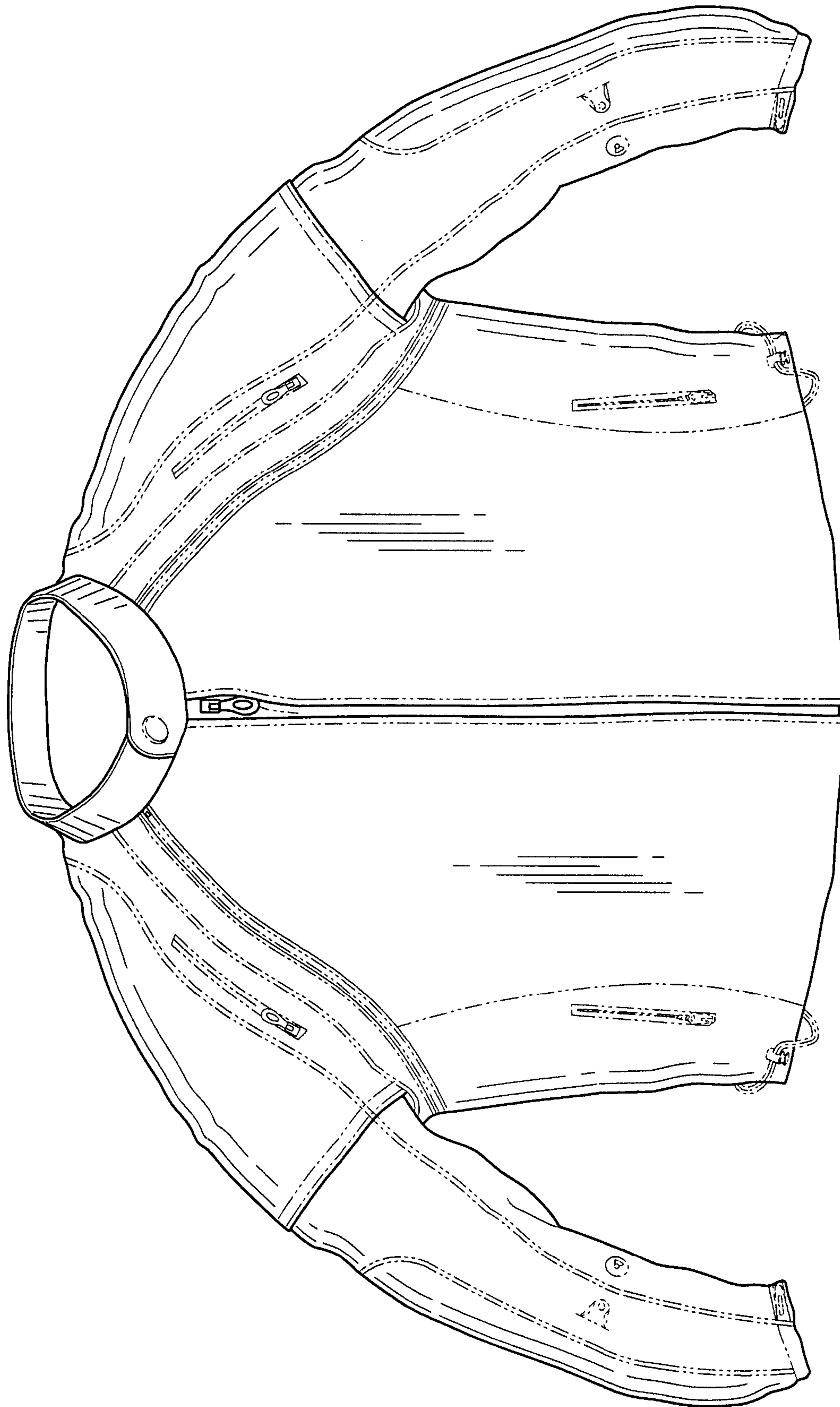


FIG-1

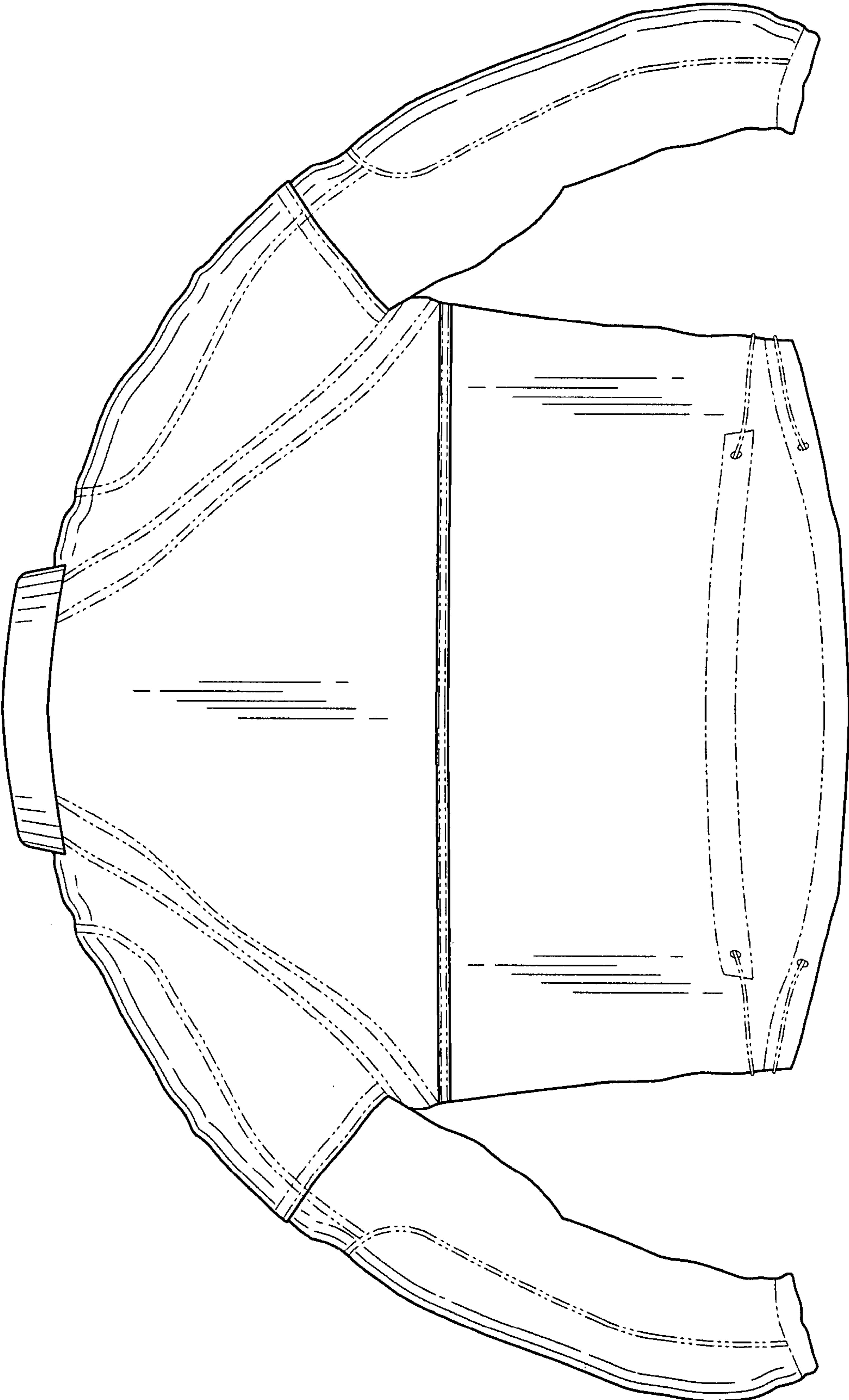


FIG-2

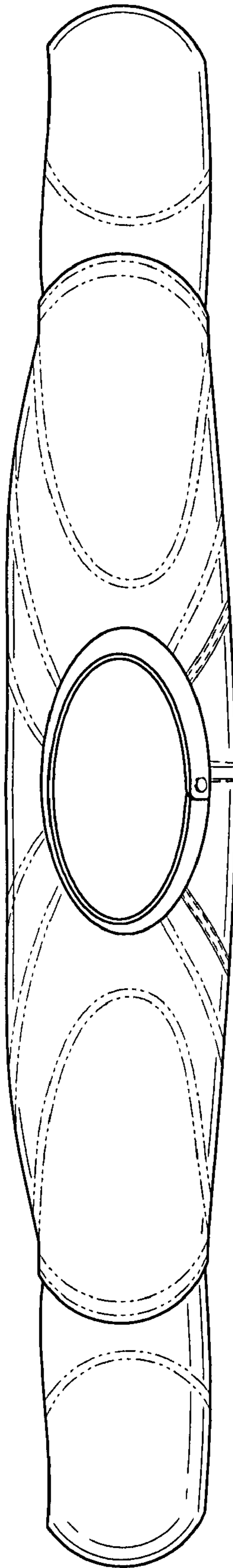


FIG - 3

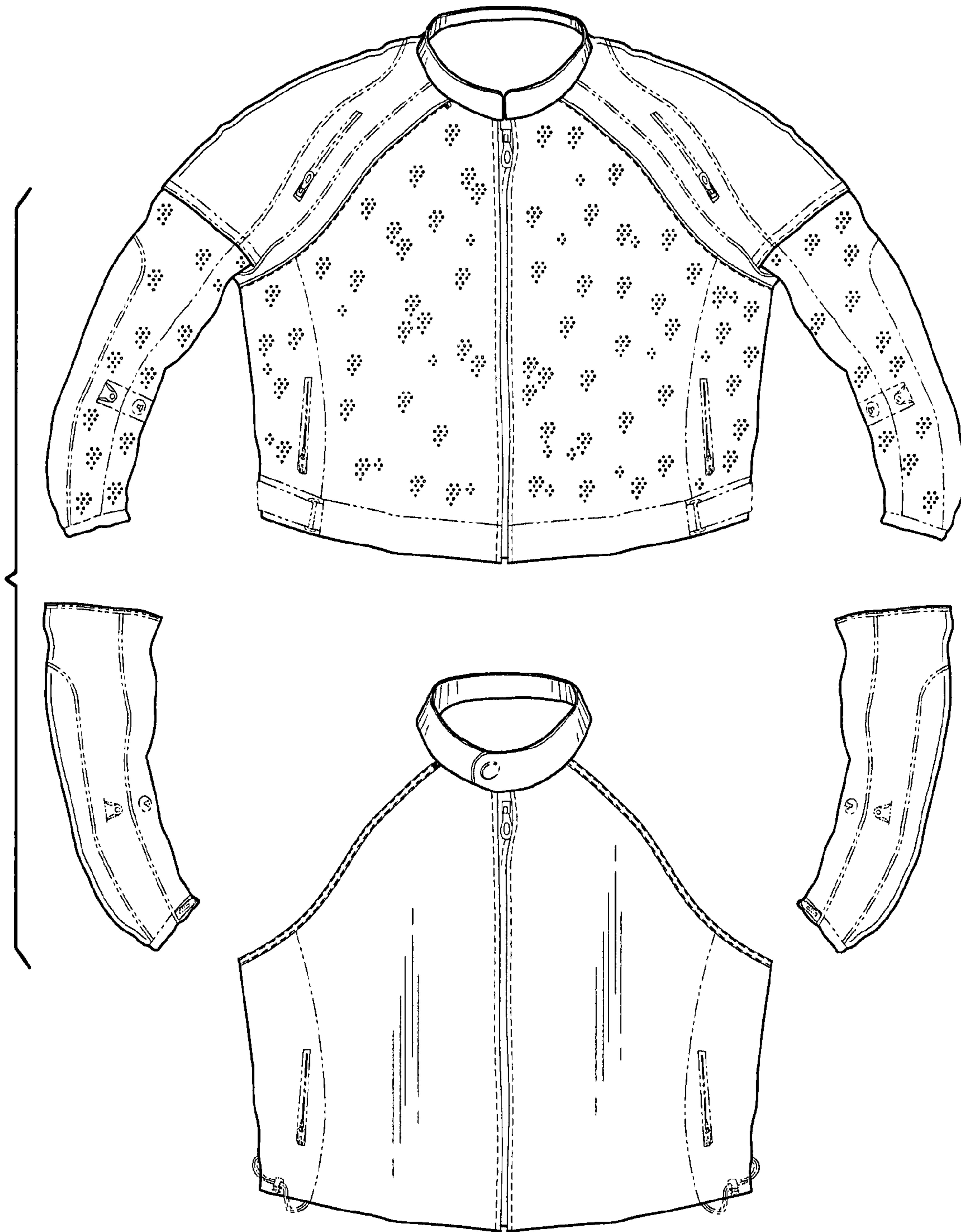


FIG - 4

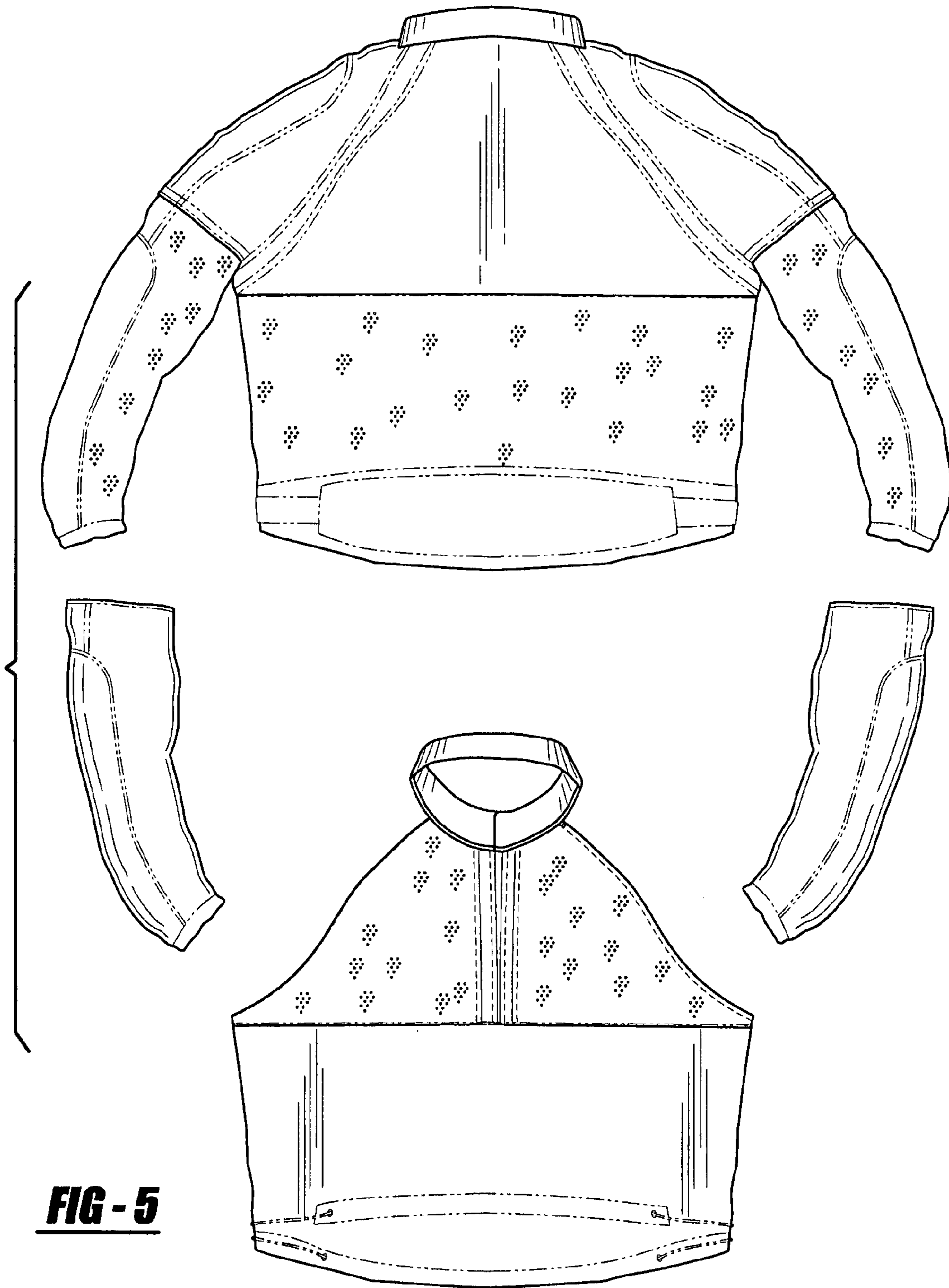


FIG - 5