



US00D555875S

(12) **United States Design Patent**  
**Guido**

(10) **Patent No.:** **US D555,875 S**

(45) **Date of Patent:** **\*\* Nov. 20, 2007**

(54) **GRAVESIDE KEEPSAKE STORING DEVICE**

(76) Inventor: **Chris Guido**, 920 Bridge Mill Ave.,  
Canton, GA (US) 30114

(\*\*) Term: **14 Years**

(21) Appl. No.: **29/243,700**

(22) Filed: **Nov. 29, 2005**

(51) **LOC (8) Cl.** ..... **99-00**

(52) **U.S. Cl.** ..... **D99/28**

(58) **Field of Classification Search** ..... D99/28,  
D99/29, 33, 35, 43, 99; D7/601, 602, 609,  
D7/612; 109/23, 28, 34, 37; 232/21, 23,  
232/24, 35, 37; 220/331, 662

See application file for complete search history.

(56) **References Cited**

**U.S. PATENT DOCUMENTS**

408,954 A *	8/1889	Cornell	.....	220/662
D195,373 S *	6/1963	Dwyer	.....	D99/28
D283,747 S *	5/1986	Margiloff	.....	D99/33
D325,456 S *	4/1992	Scaife	.....	D99/28

\* cited by examiner

*Primary Examiner*—Paula A. Greene

(74) *Attorney, Agent, or Firm*—Dorrity & Manning, P.A.

(57) **CLAIM**

The ornamental design for a graveside keepsake storing device, as shown and described.

**DESCRIPTION**

FIG. 1 is a perspective view of a graveside keepsake storing device from the top and front according to the present design, the broken lines to the post is for illustrative purposes only and forms no part of the claimed design;

FIG. 2 is a perspective view thereof, from the top and front of the graveside keepsake storing device, the broken lines to the mount and gravestone are for illustrative purposes only and form no part of the claimed design;

FIG. 3 is a perspective view thereof, from the top and front with the lid in an open position, the undisclosed interior is not part of the claimed design;

FIG. 4 is a front view of said graveside keepsake storing device;

FIG. 5 is a back view of said graveside keepsake storing device;

FIG. 6 is a left side view of said graveside keepsake storing device;

FIG. 7 is a right side view of said graveside keepsake storing device;

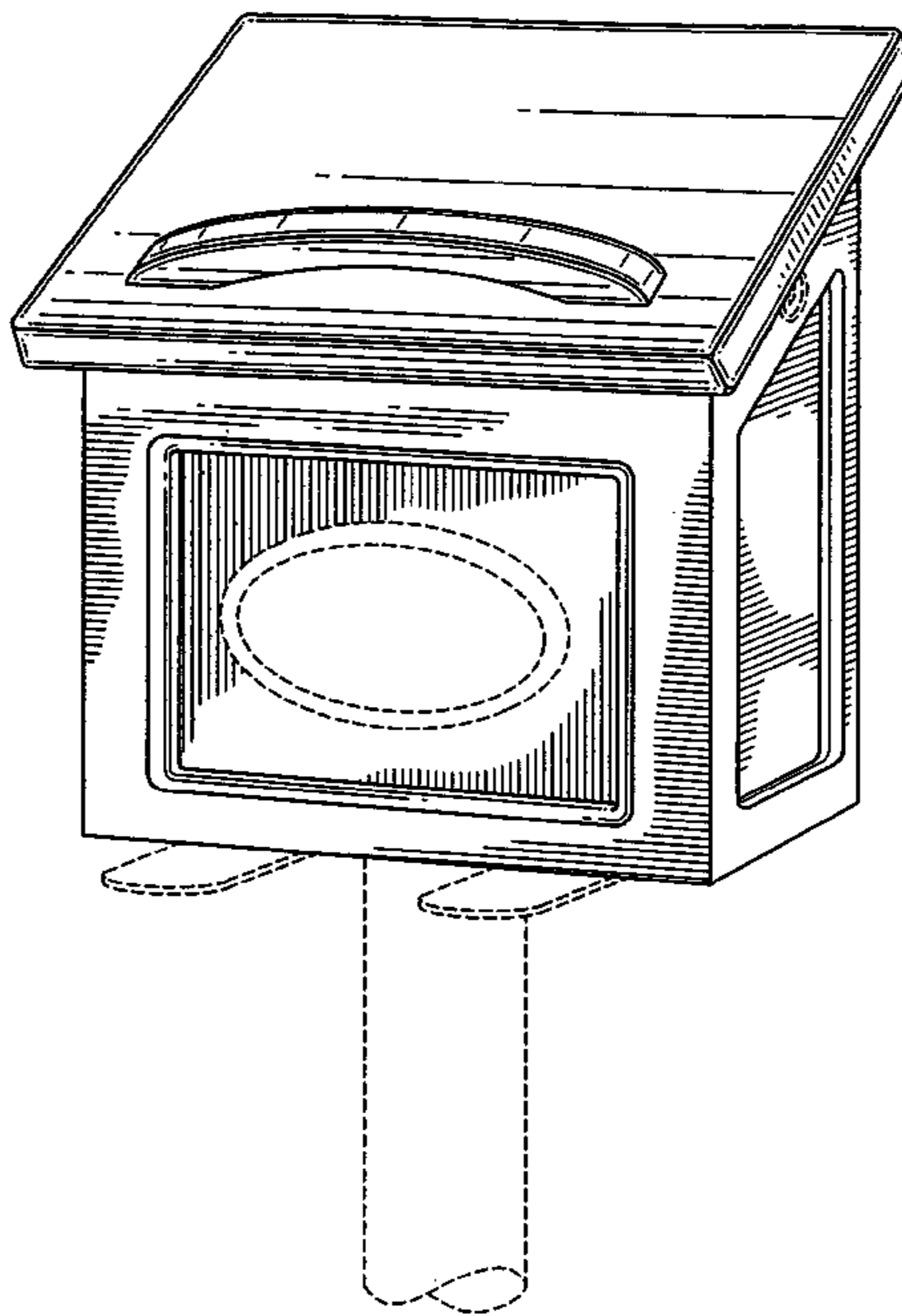
FIG. 8 is a top plan view of said graveside keepsake storing device;

FIG. 9 is a bottom plan view of said graveside keepsake storing device; and,

FIG. 10 is a back view of a second embodiment of the graveside keepsake storing device of FIG. 1 having a characteristic feature of a recessed portion in surface of the back, it being understood that all other surfaces are the same as those of the first embodiment.

Elements shown in dashed lines are not part of the claimed subject matter.

**1 Claim, 7 Drawing Sheets**



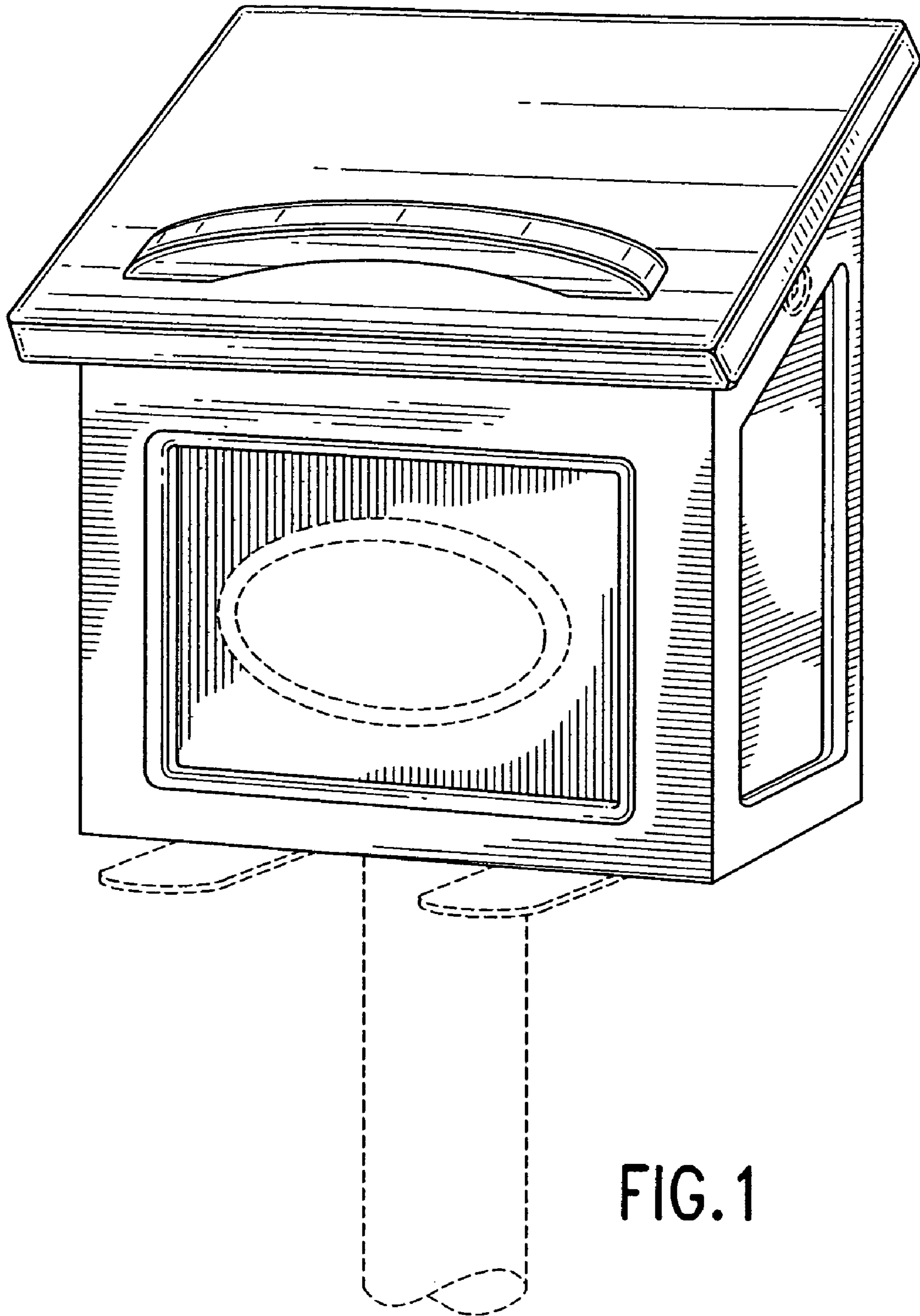


FIG. 1

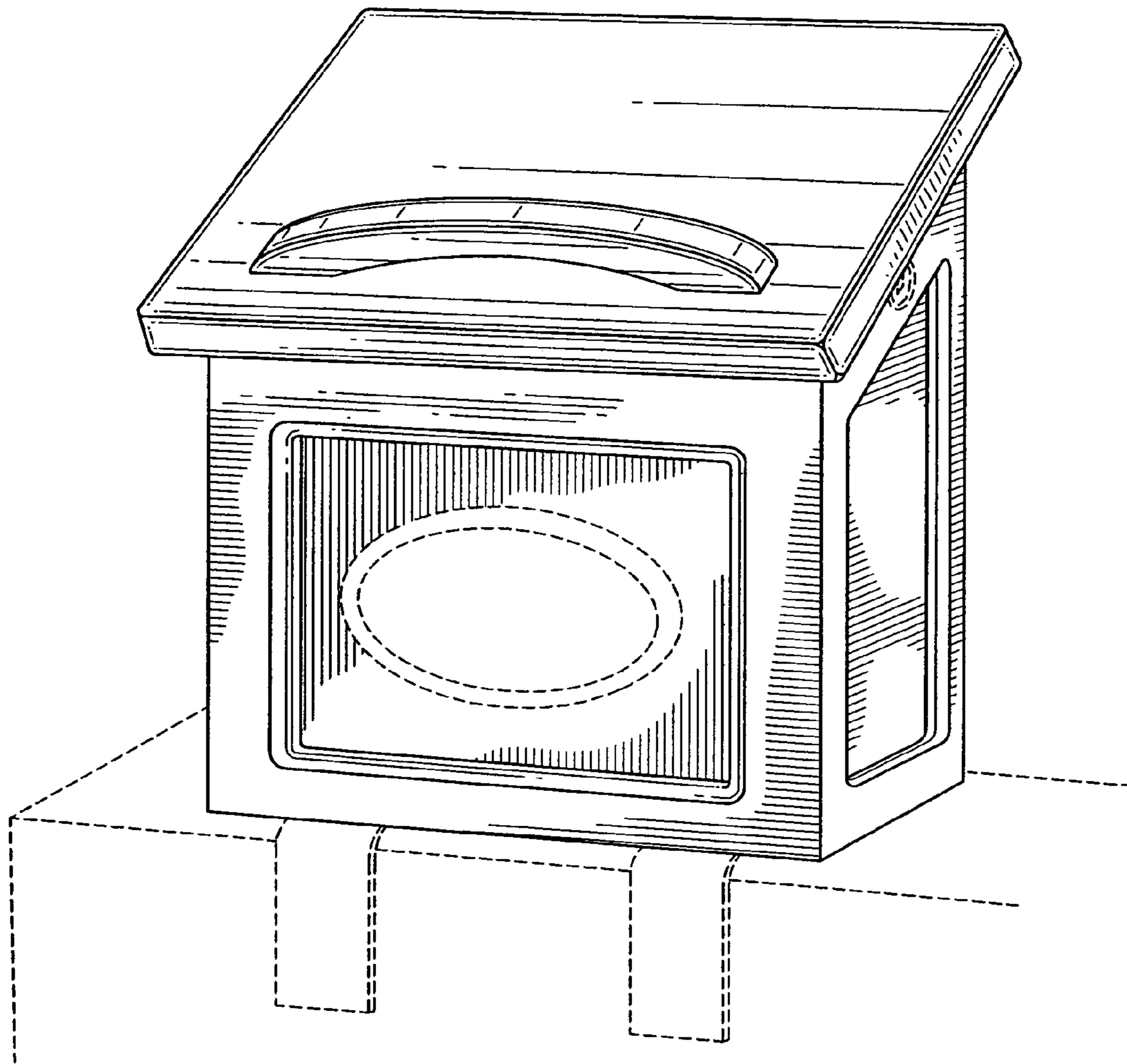


FIG.2

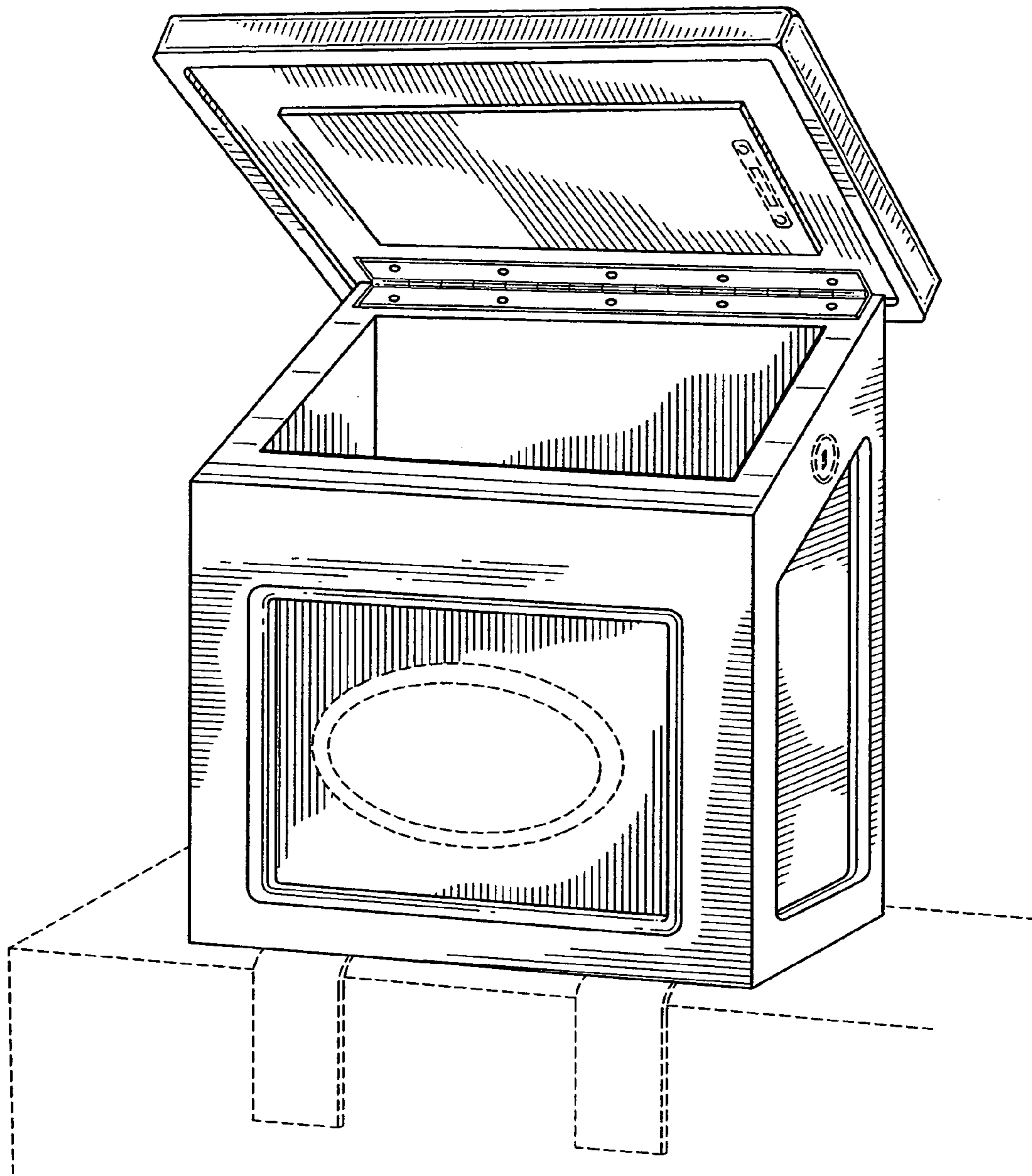


FIG.3

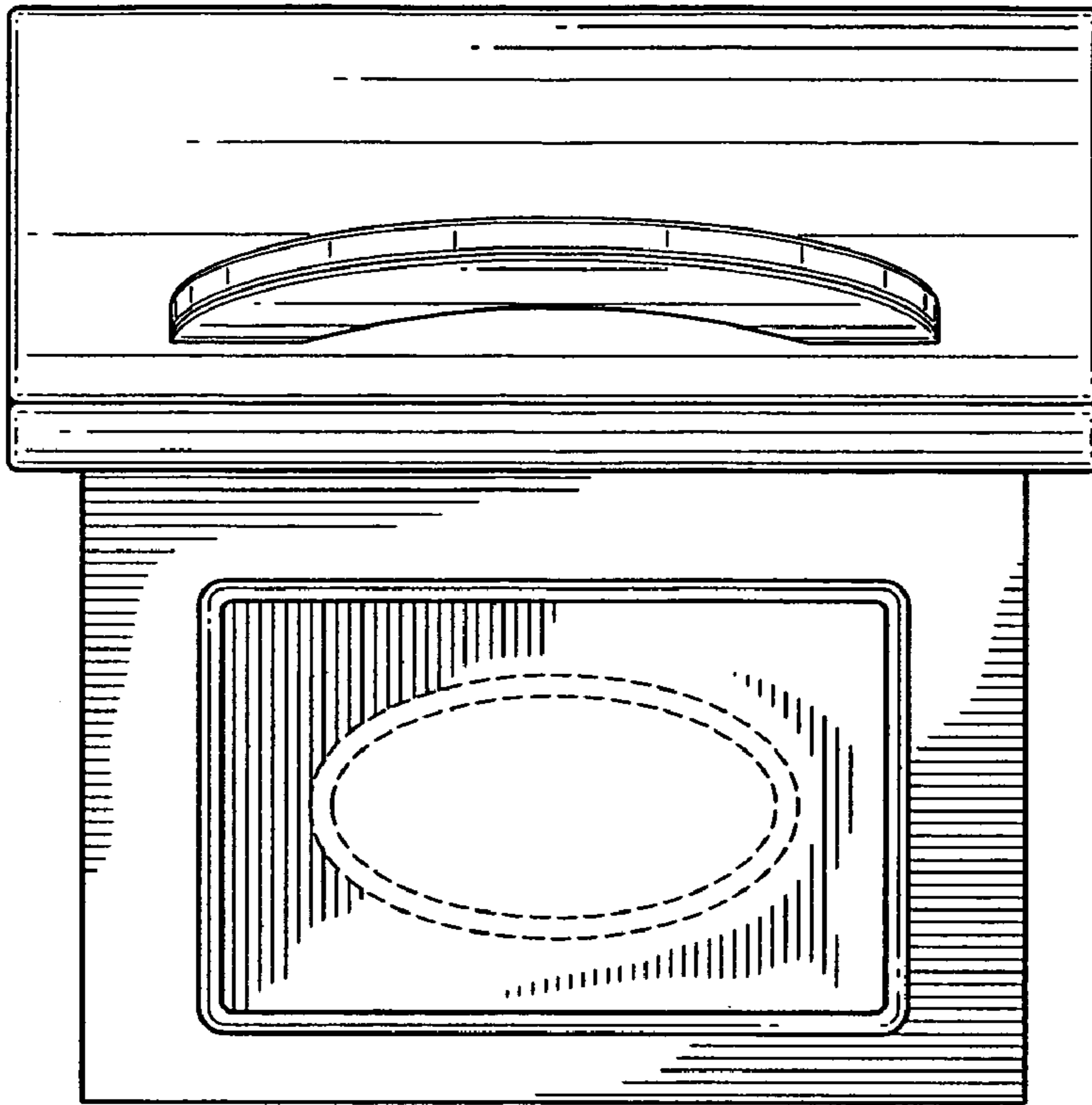


FIG. 4

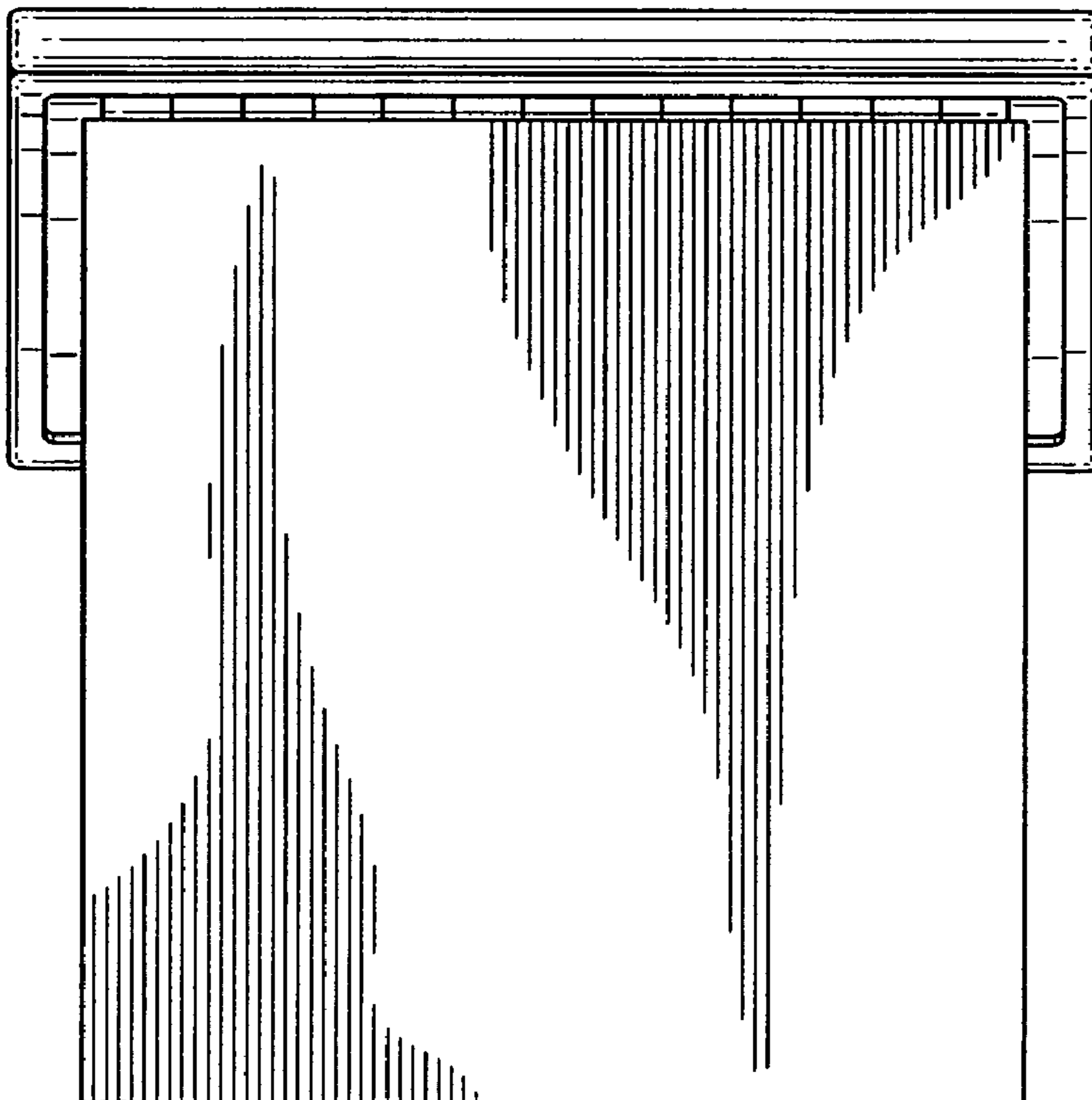


FIG. 5

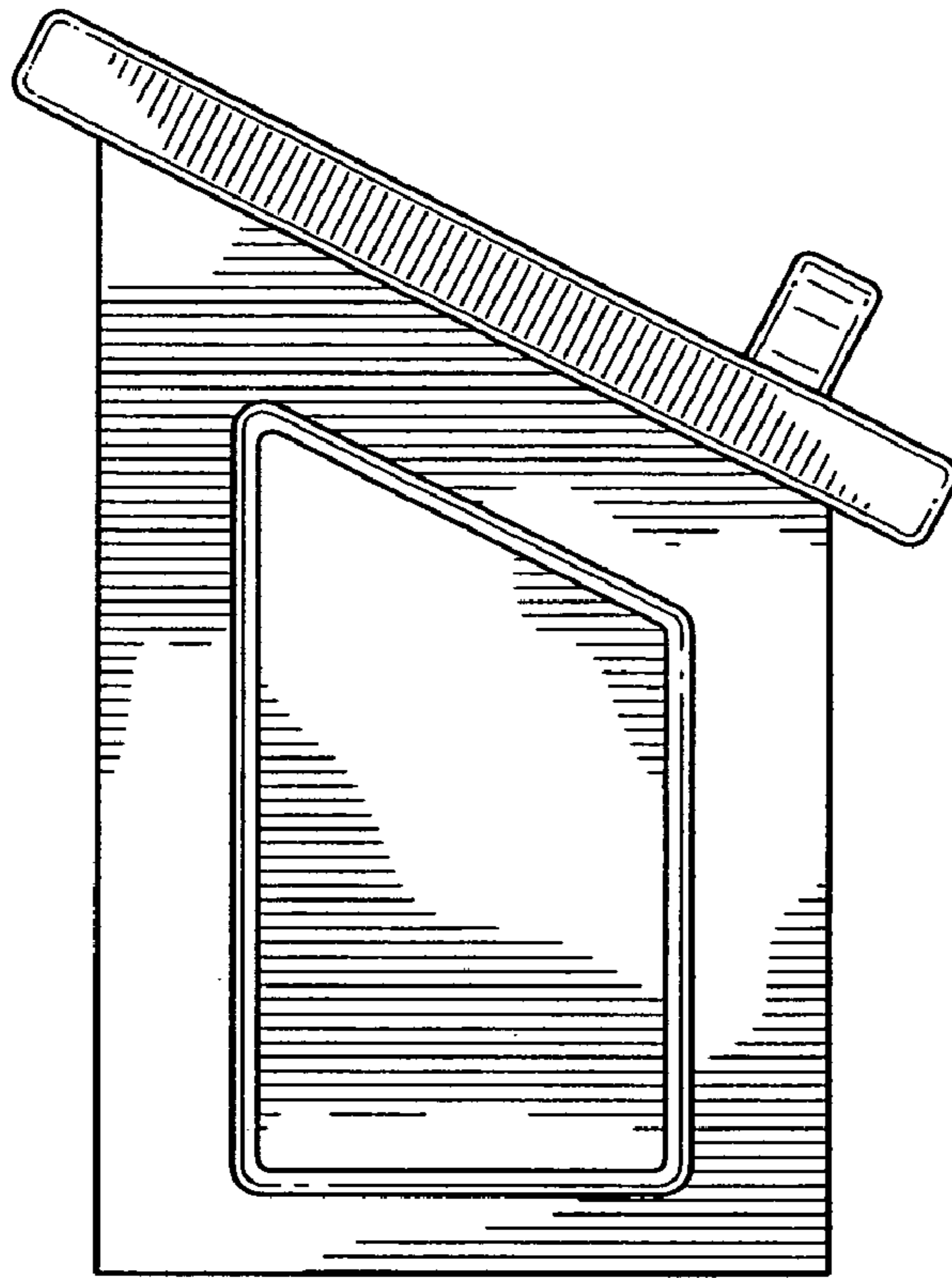


FIG. 6

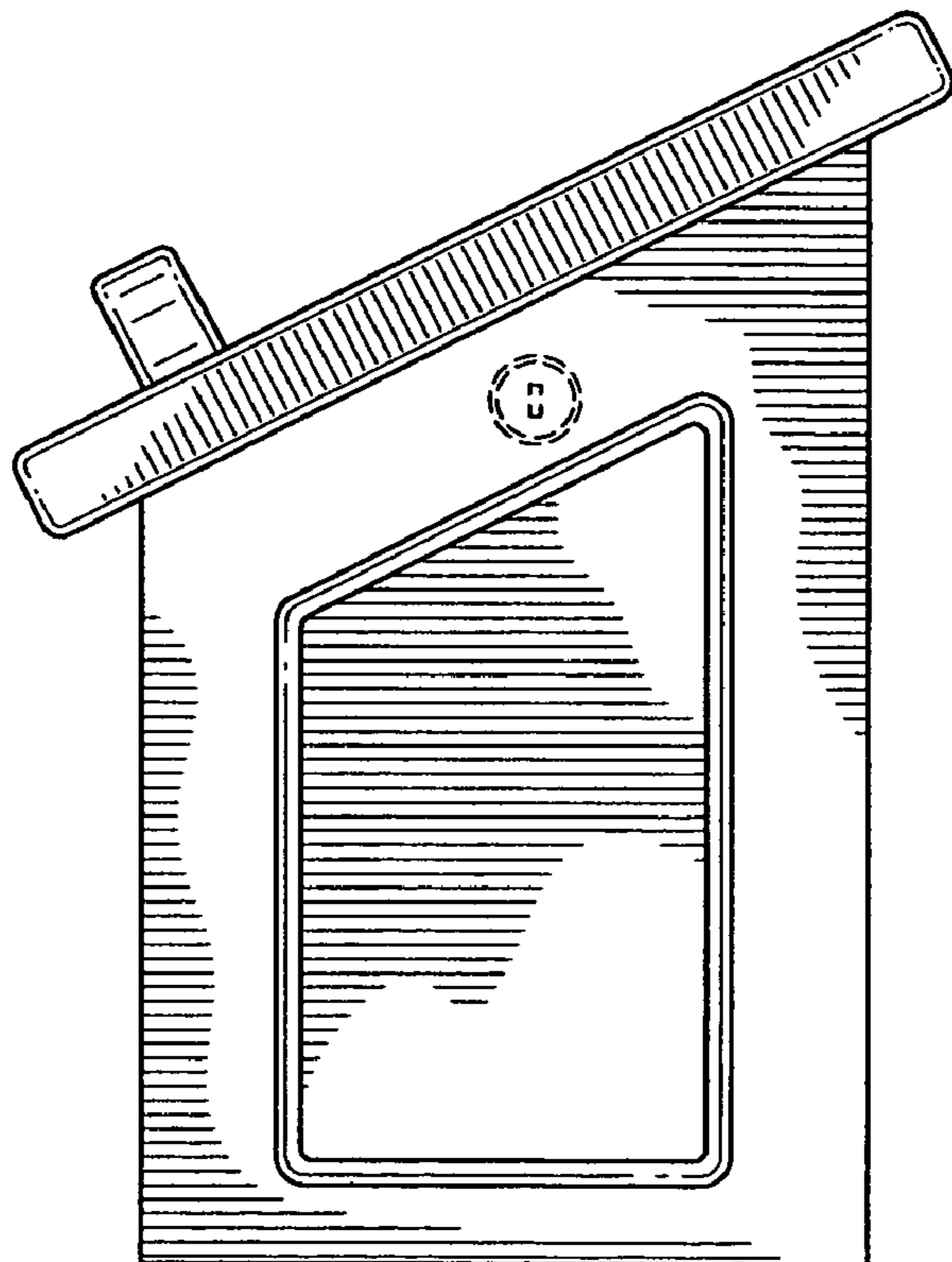


FIG. 7

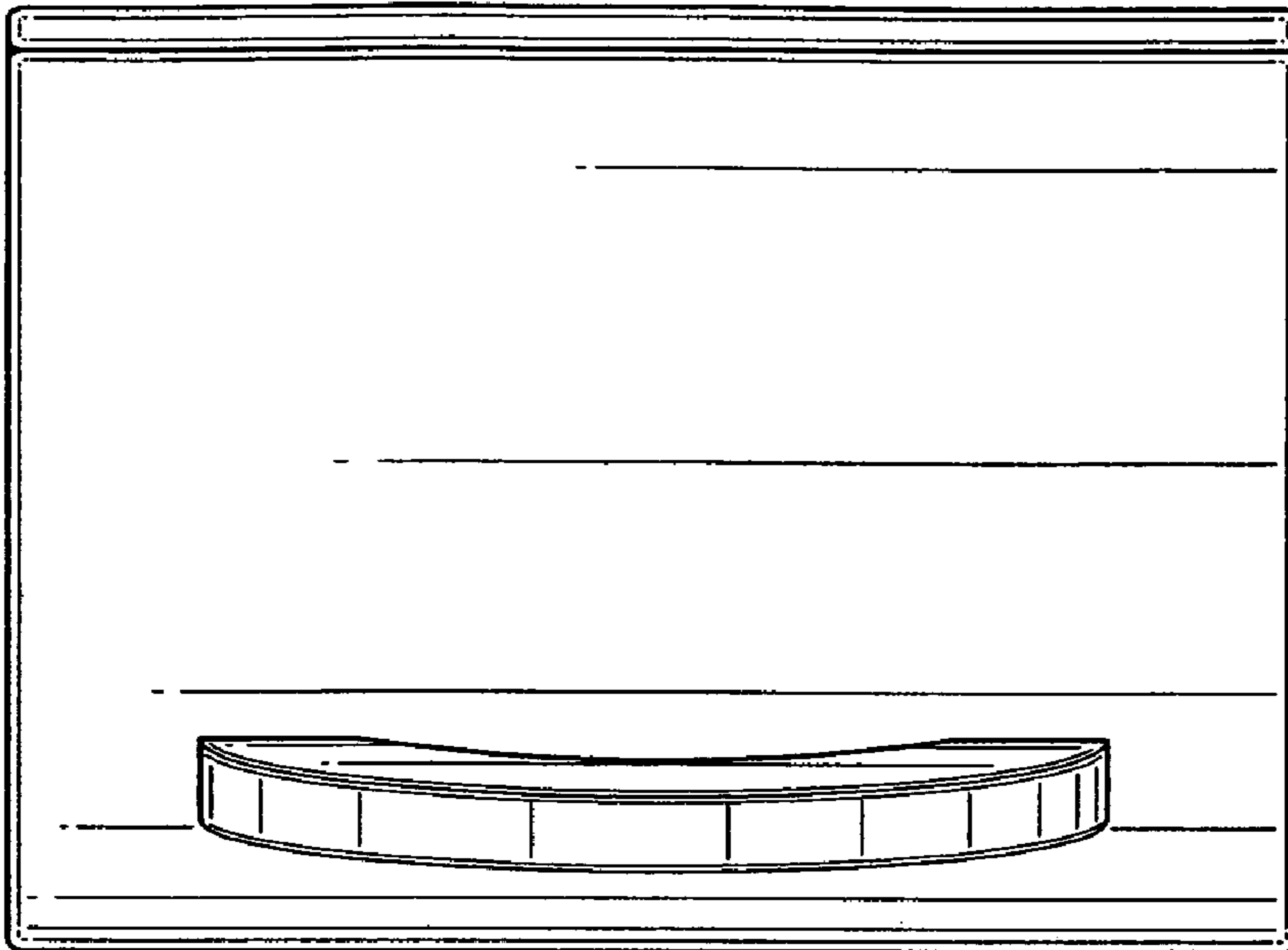


FIG. 8

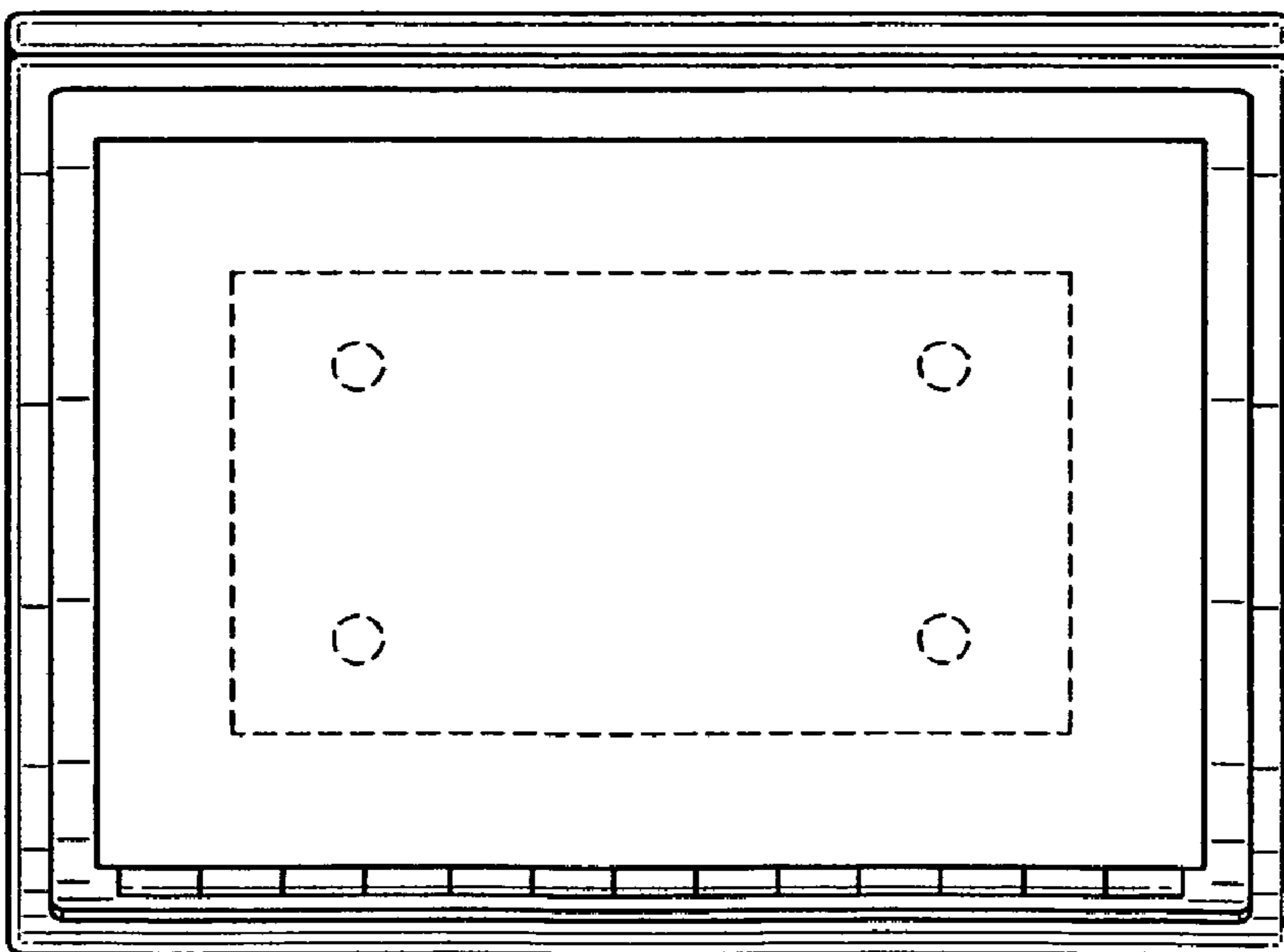


FIG. 9

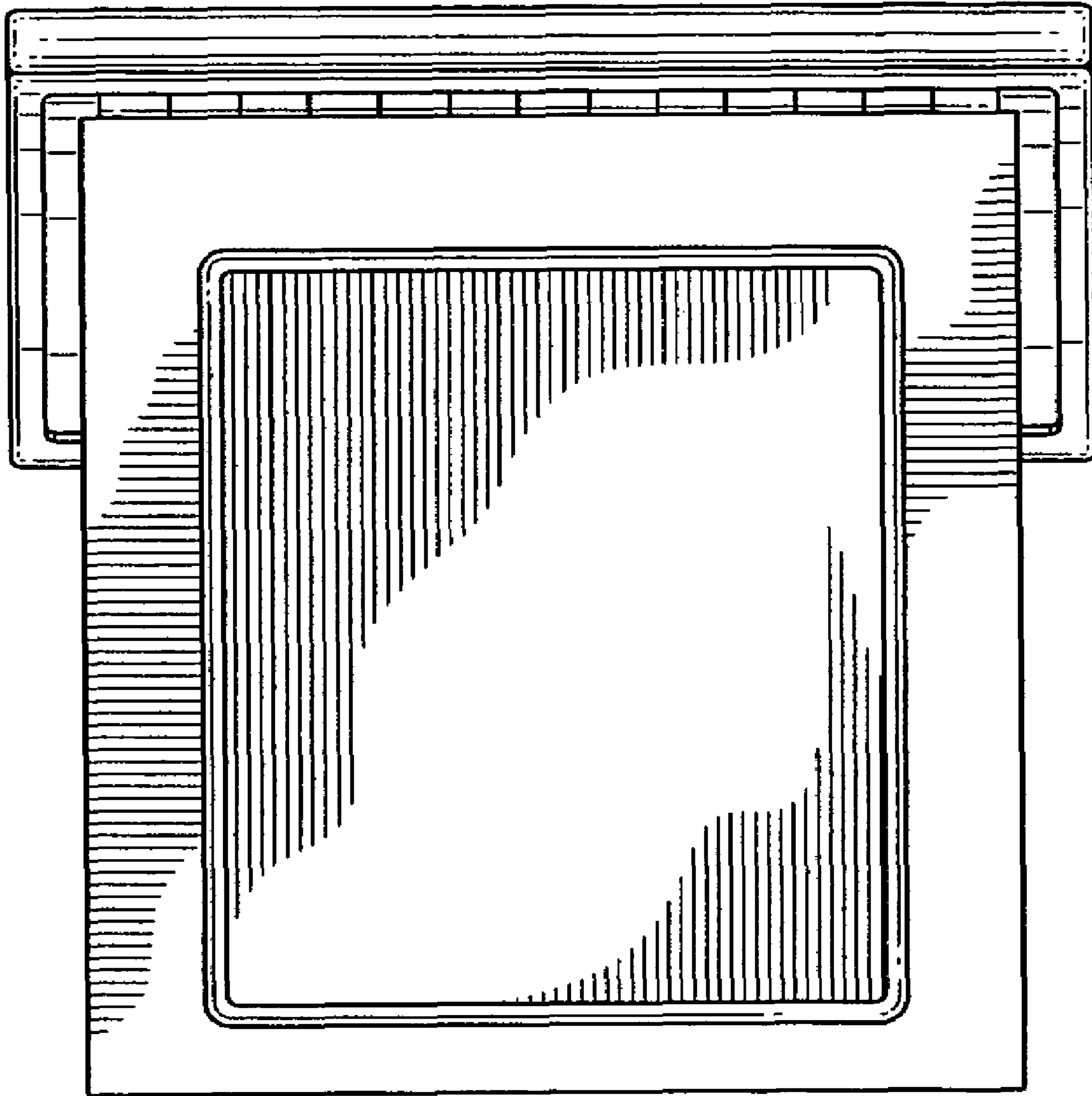


FIG. 10



UNITED STATES PATENT AND TRADEMARK OFFICE  
**CERTIFICATE OF CORRECTION**

PATENT NO. : Des. 555,875 S  
APPLICATION NO. : 29/243700  
DATED : November 20, 2007  
INVENTOR(S) : Chris Guido

Page 1 of 1

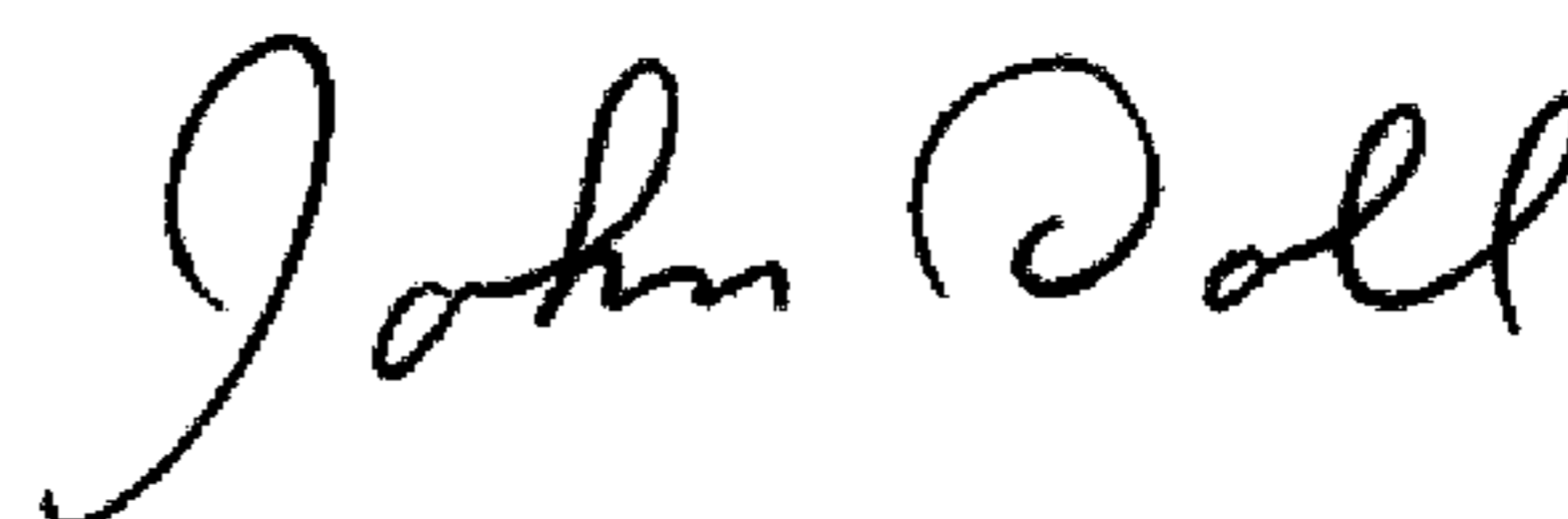
It is certified that error appears in the above-identified patent and that said Letters Patent is hereby corrected as shown below:

On the title page item (56), add the following References Cited under U.S. Patent Documents:

4,455,772	6/1984	Miller
5,517,791	5/1996	Weiss
5,729,921	3/1998	Rojas
6,088,973	7/2000	Weiss
6,105,287	8/2000	Williams
6,341,437	1/2002	Heiling et al.
6,898,879	5/2005	Regelin
6,922,927	8/2005	Harmon
6,925,740	8/2005	Shannon

Signed and Sealed this

Nineteenth Day of May, 2009



JOHN DOLL  
*Acting Director of the United States Patent and Trademark Office*