



US00D555874S

(12) **United States Design Patent**
Elliott et al.

(10) **Patent No.:** **US D555,874 S**

(45) **Date of Patent:** **** Nov. 20, 2007**

(54) **WINCH**

(75) Inventors: **Ronald L. Elliott**, Oregon City, OR (US); **Darren K. Johnson**, Portland, OR (US); **Bryan Yoder**, Corvallis, OR (US)

(73) Assignee: **Warn Industries, Inc.**, Milwaukie, OR (US)

(**) Term: **14 Years**

(21) Appl. No.: **29/249,498**

(22) Filed: **Oct. 9, 2006**

(51) **LOC (8) Cl.** **12-05**

(52) **U.S. Cl.** **D34/33**

(58) **Field of Classification Search** D34/33,
D34/28; 254/382, 374, 356; 280/490.1;
294/82.11

See application file for complete search history.

(56) **References Cited**

U.S. PATENT DOCUMENTS

D196,373 S *	9/1963	Mullin	D34/33
D307,965 S *	5/1990	Eley et al.	D34/33
5,522,582 A *	6/1996	Dilks	254/323
D411,364 S *	6/1999	Sasaki et al.	D34/33
6,073,917 A *	6/2000	Plummer	254/389
D459,048 S *	6/2002	Leemans	D34/33
D471,338 S	3/2003	Hodge		
D473,992 S	4/2003	Hodge		

D475,499 S	6/2003	Hodge		
D479,899 S	9/2003	Hodge		
D489,157 S	4/2004	Lawson		
D491,333 S *	6/2004	Blasek	D34/33
D513,650 S *	1/2006	Elliott	D34/33
D532,577 S *	11/2006	Elliott et al.	D34/33
D540,003 S *	4/2007	Hagihara et al.	D34/33

* cited by examiner

Primary Examiner—Cynthia E. Ramirez

(74) *Attorney, Agent, or Firm*—Harness, Dickey & Pierce, P.L.C.

(57) **CLAIM**

The ornamental design for a winch, as shown and described.

DESCRIPTION

FIG. 1 is a front perspective view of a winch showing our new design;

FIG. 2 is a front view thereof;

FIG. 3 is a back view thereof;

FIG. 4 is a right side view thereof;

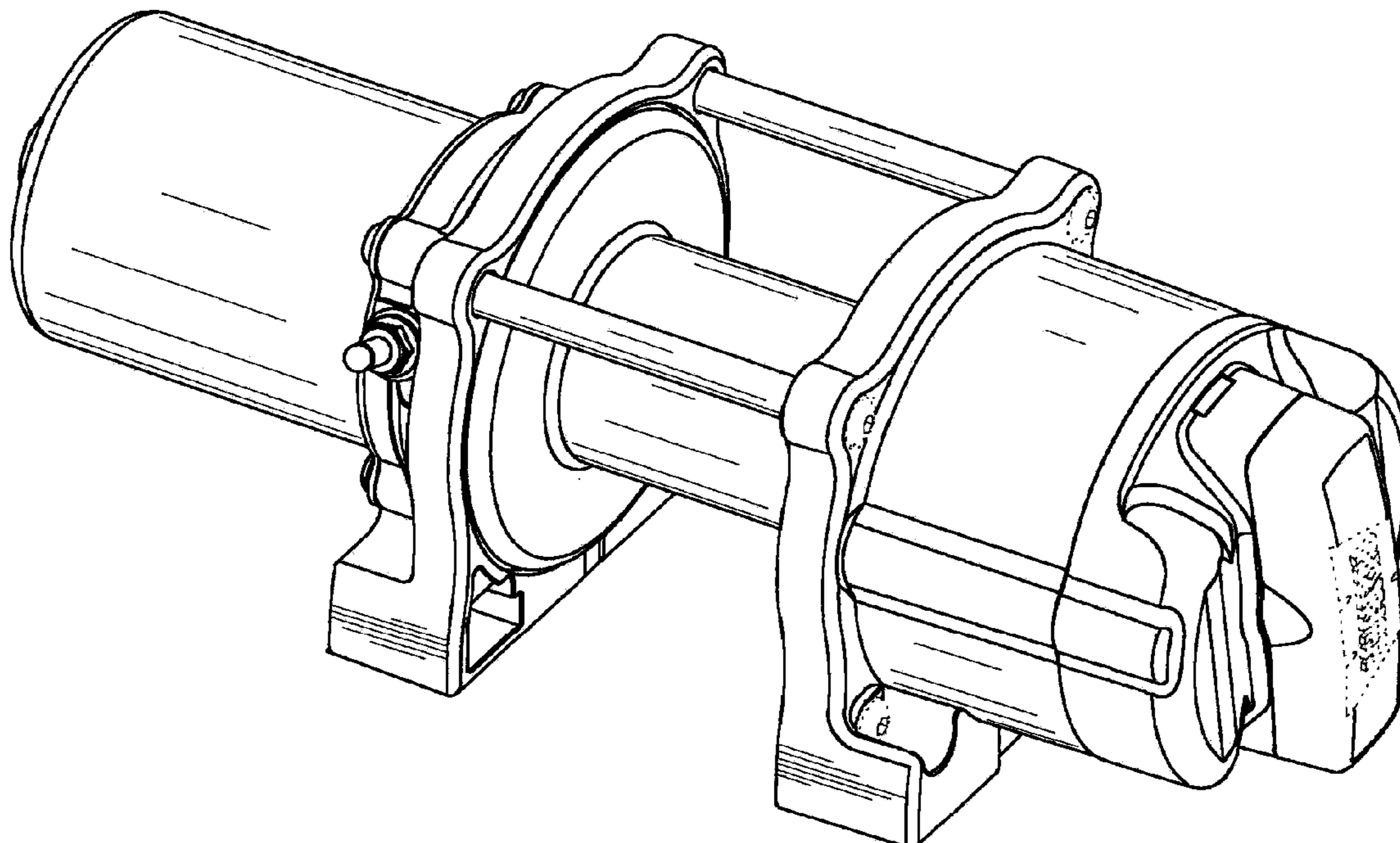
FIG. 5 is a left side view thereof;

FIG. 6 is a top view thereof; and,

FIG. 7 is a bottom view thereof.

The phantom lines in FIGS. 1 and 4 are for illustrative purposes only and do not form part of the claimed invention.

1 Claim, 7 Drawing Sheets



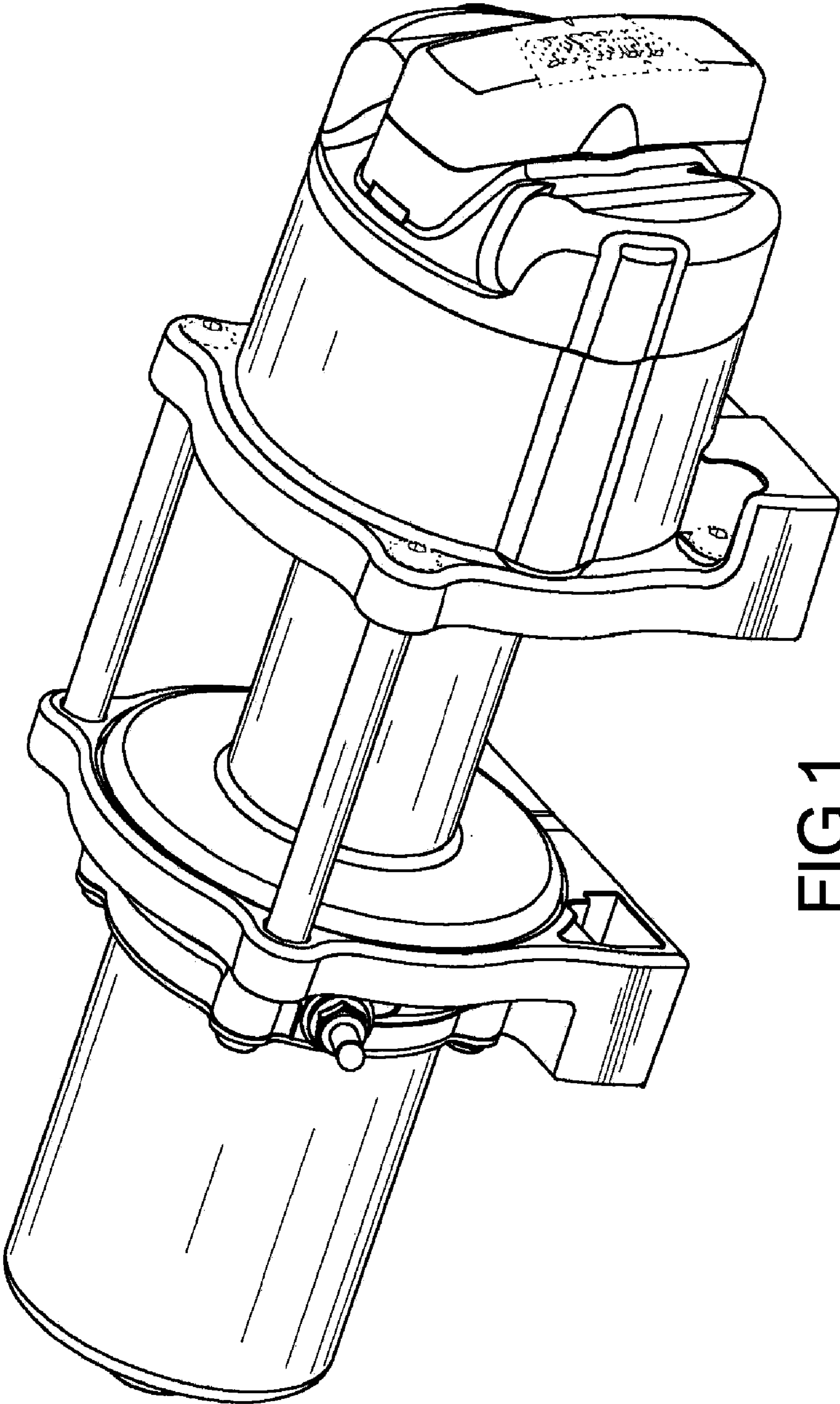


FIG 1

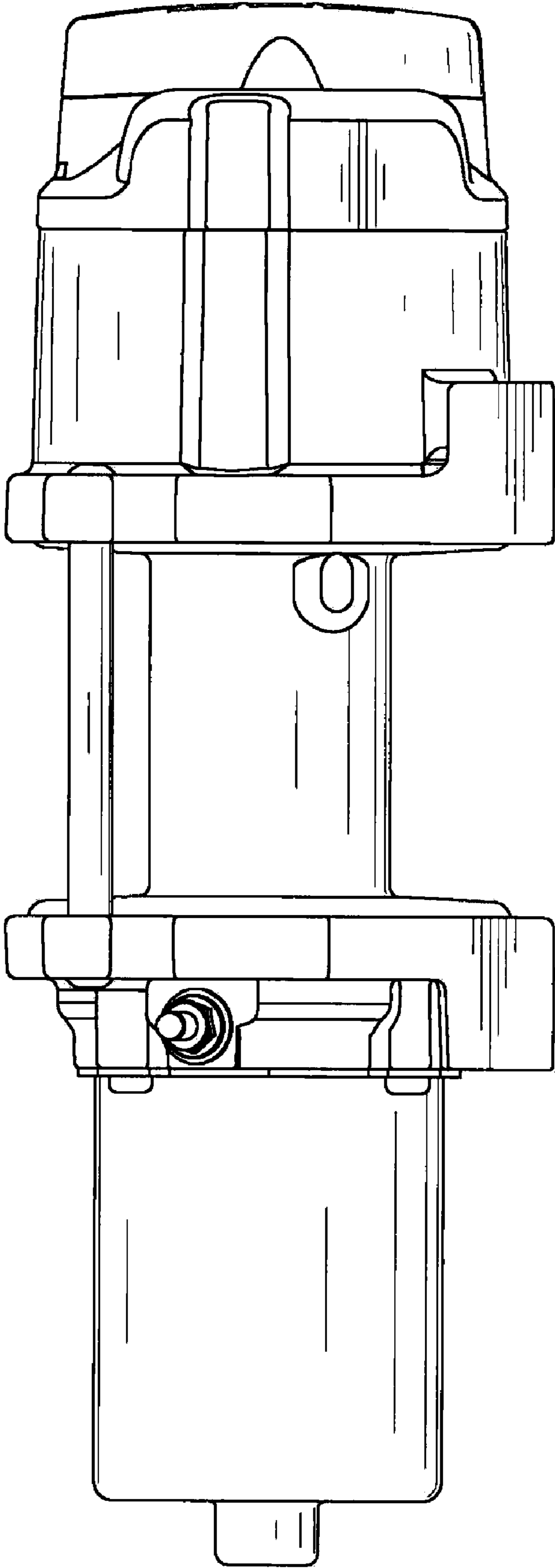


FIG 2

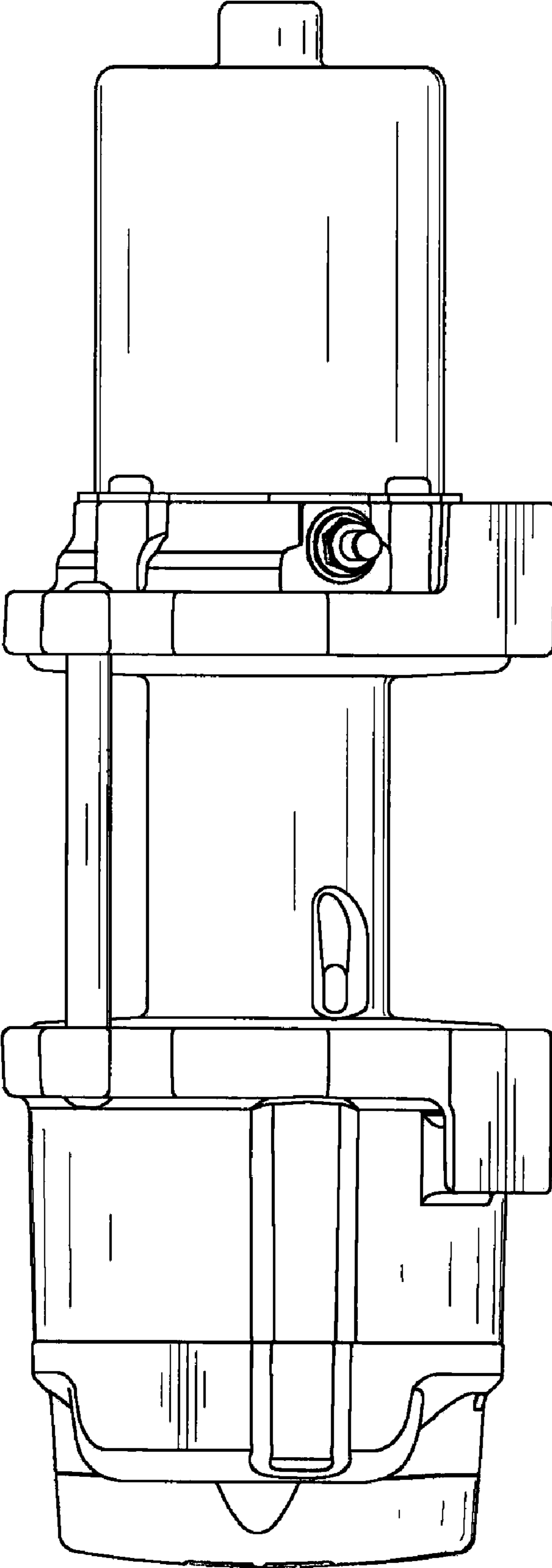


FIG 3

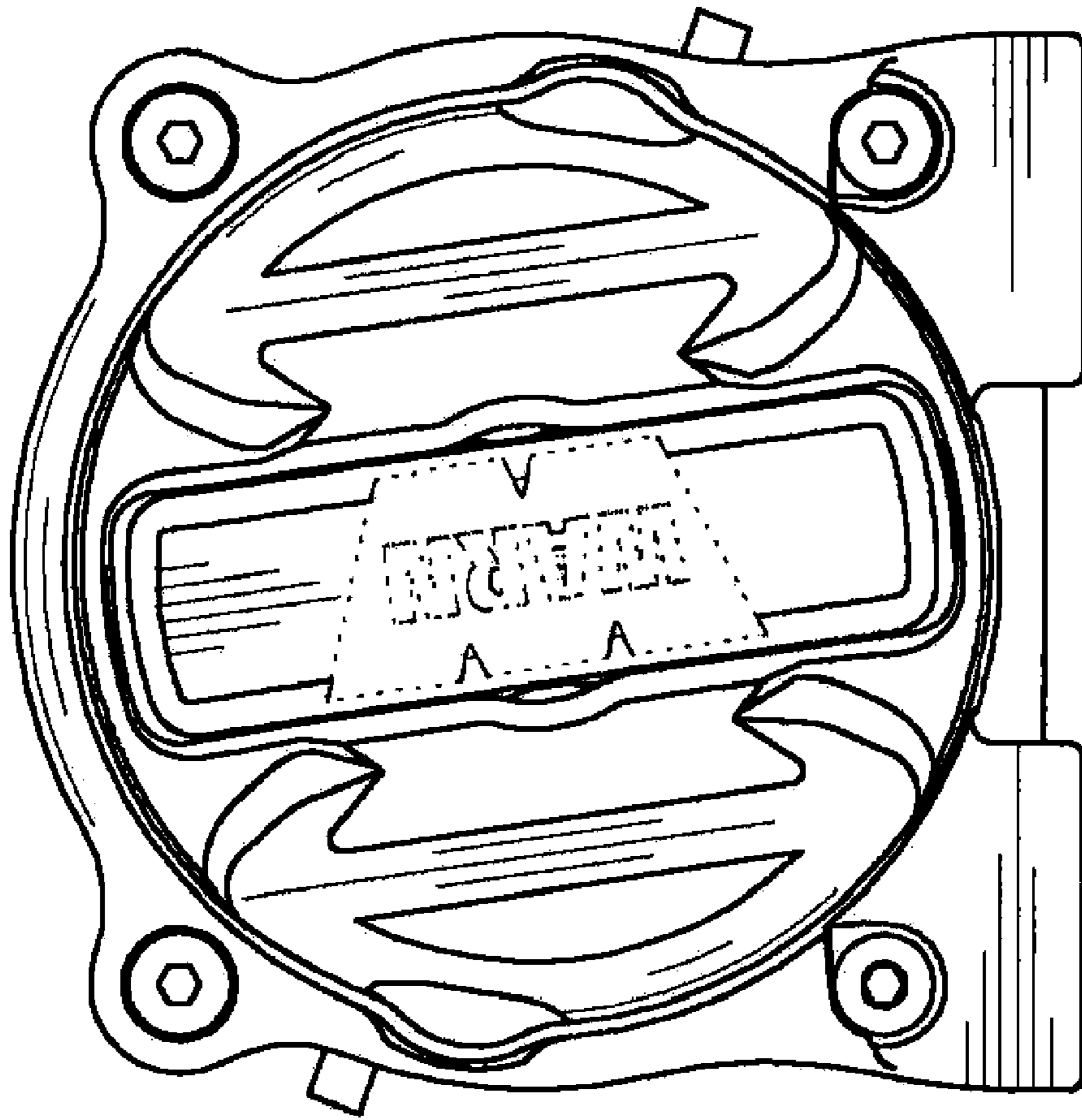


FIG 4

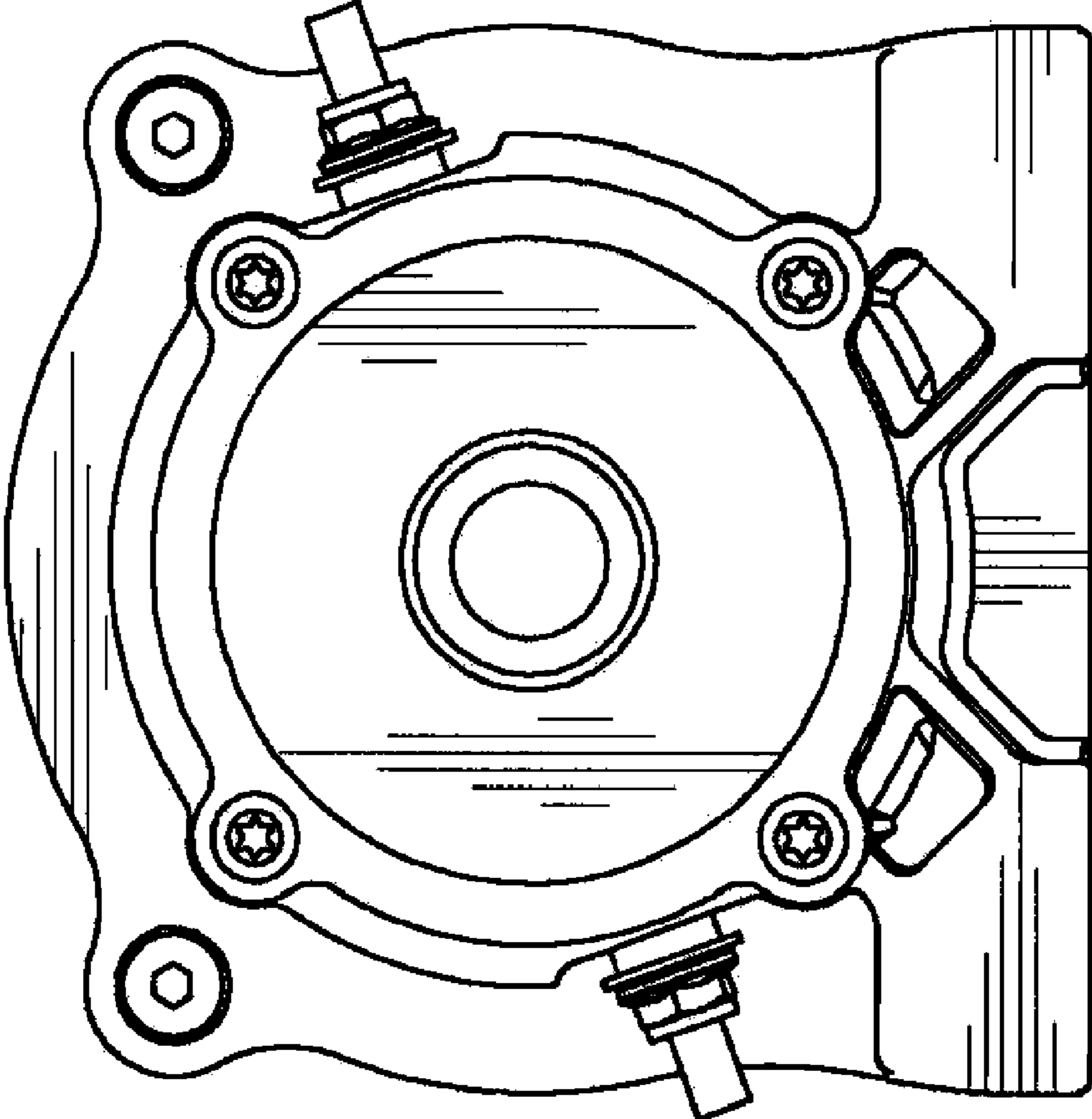


FIG 5

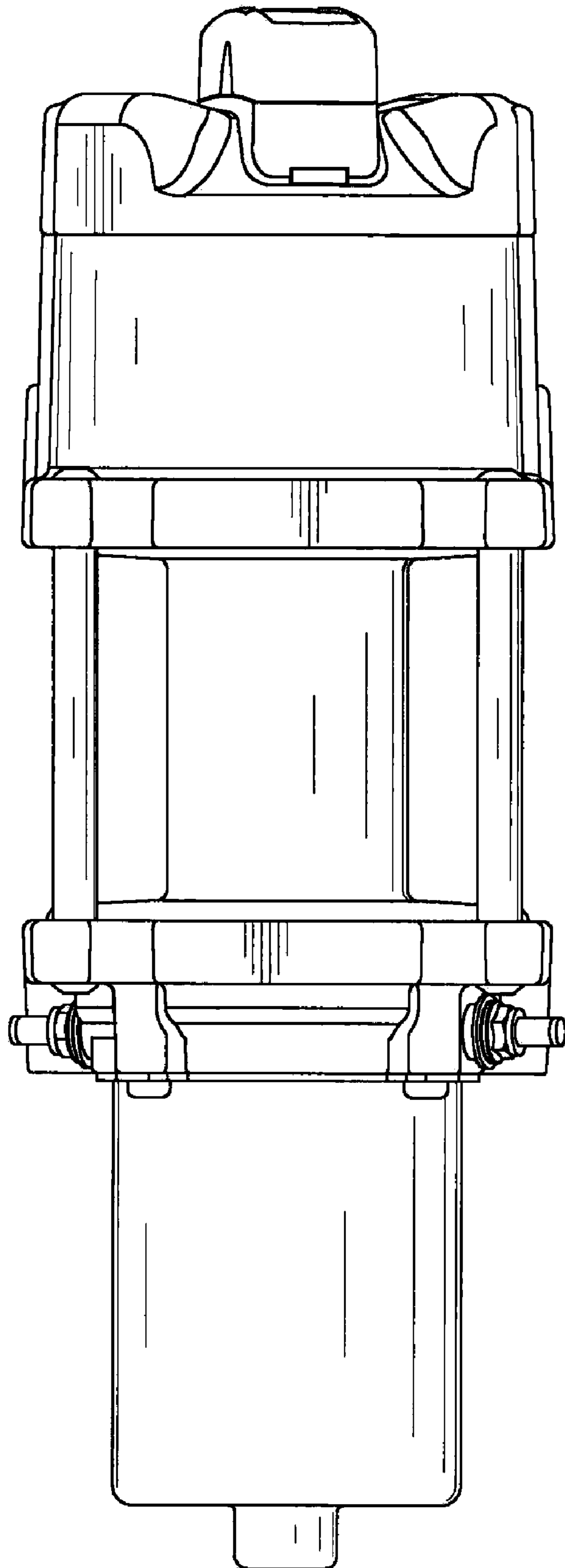


FIG 6

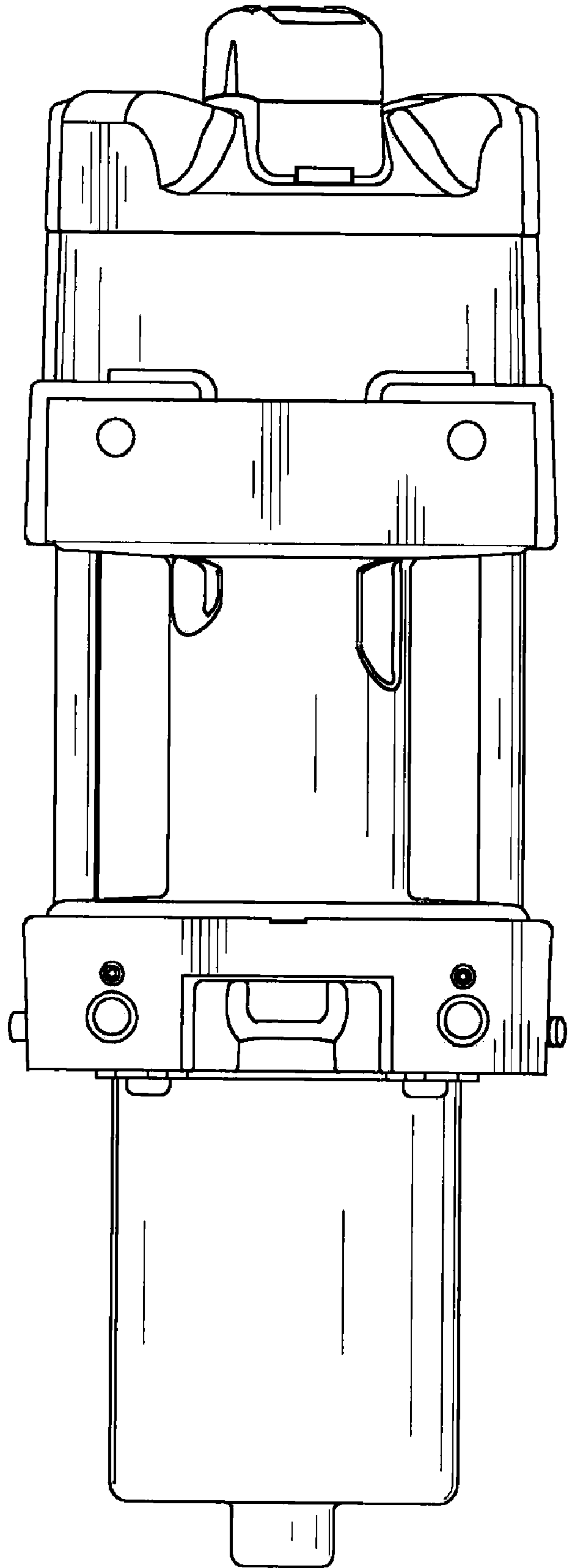


FIG 7