



US00D555872S

(12) **United States Design Patent**
Brown

(10) **Patent No.:** **US D555,872 S**

(45) **Date of Patent:** **** Nov. 20, 2007**

(54) **HANDLE FOR DOLLY CART**

(76) **Inventor:** **Edmund W. Brown**, 8715 Gittings Rd.,
Racine, WI (US) 53406

(**) **Term:** **14 Years**

(21) **Appl. No.:** **29/250,158**

(22) **Filed:** **Nov. 3, 2006**

(51) **LOC (8) Cl.** **12-02**

(52) **U.S. Cl.** **D34/27**

(58) **Field of Classification Search** D34/12-27;
74/551.6, 551.9, 551.3; D8/10, DIG. 6;
D12/178, 13; 294/57; 16/426, 422, 430
See application file for complete search history.

(56) **References Cited**

U.S. PATENT DOCUMENTS

4,023,436	A *	5/1977	Dodge	74/551.3
4,114,471	A *	9/1978	White	74/551.6
4,404,708	A *	9/1983	Winter	16/110.1
4,838,465	A *	6/1989	Metzger	222/526
5,016,148	A *	5/1991	Kohm	362/102
D362,100	S *	9/1995	McMurdo	D34/27

D425,681	S *	5/2000	Johnson et al.	D34/27
D462,821	S *	9/2002	Measom	D34/27
D525,008	S *	7/2006	Hubbard	D34/27
7,216,403	B2 *	5/2007	Decker	16/430

* cited by examiner

Primary Examiner—Cynthia E. Ramirez

(74) *Attorney, Agent, or Firm*—Boyle Fredrickson S.C.

(57) **CLAIM**

The ornamental design of a handle for a dolly cart, as shown and described.

DESCRIPTION

FIG. 1 is an isometric view of a handle for a dolly cart in accordance with the present invention;

FIG. 2 is a front elevational view of the handle of FIG. 1;

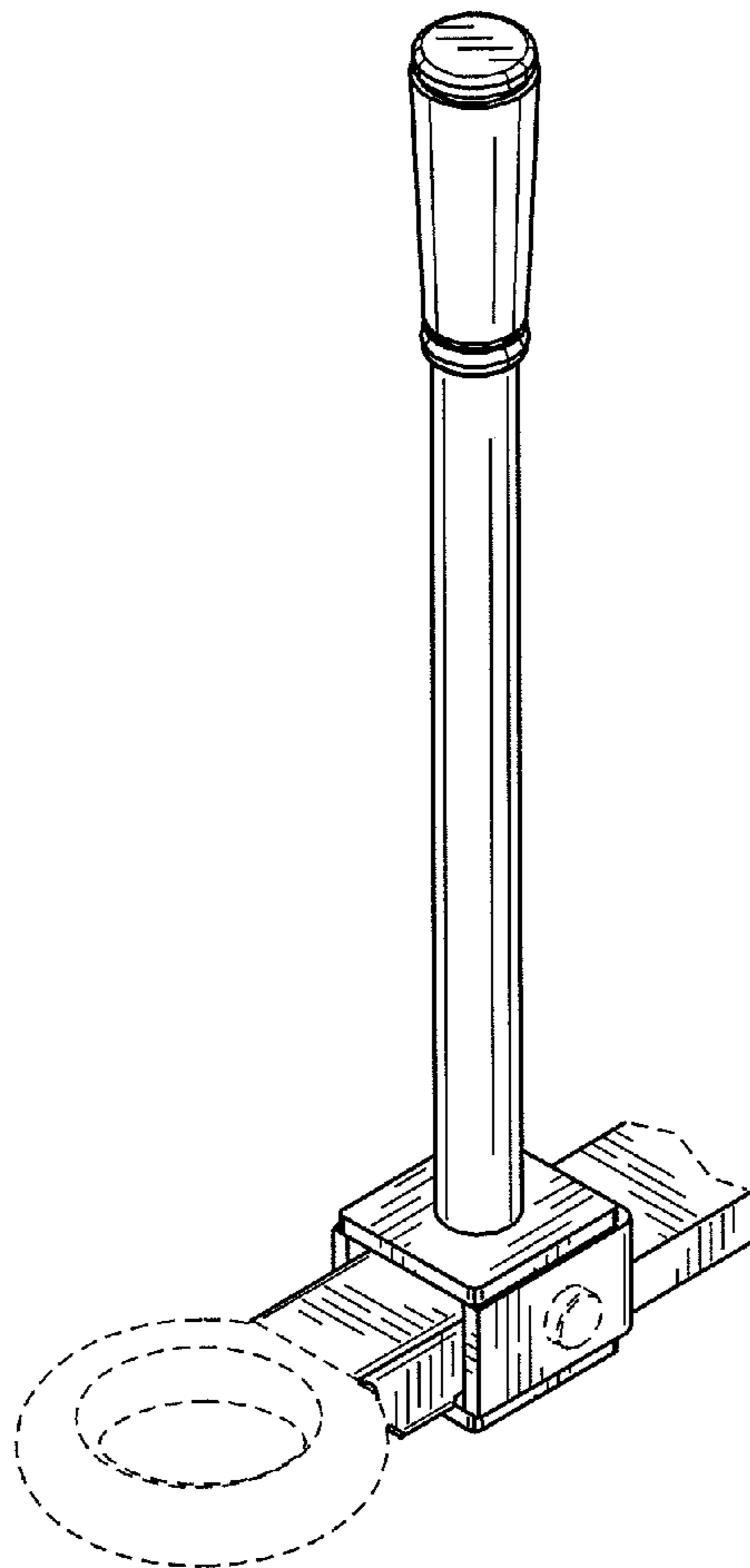
FIG. 3 is a top plan view of the handle of FIG. 1;

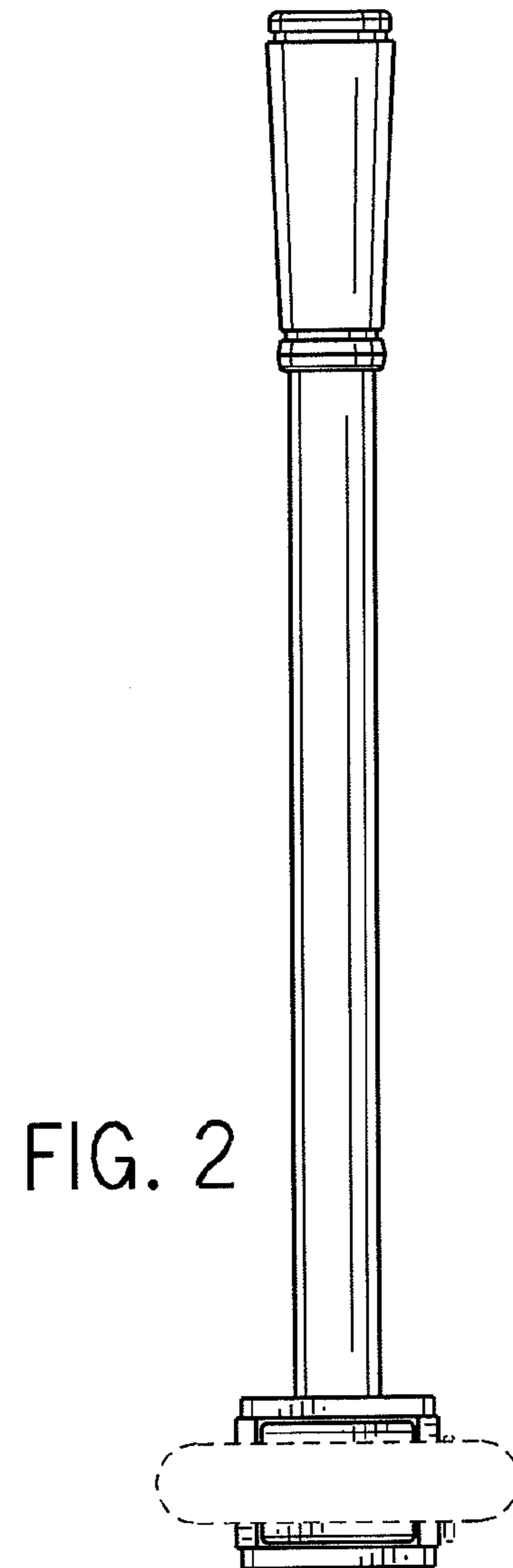
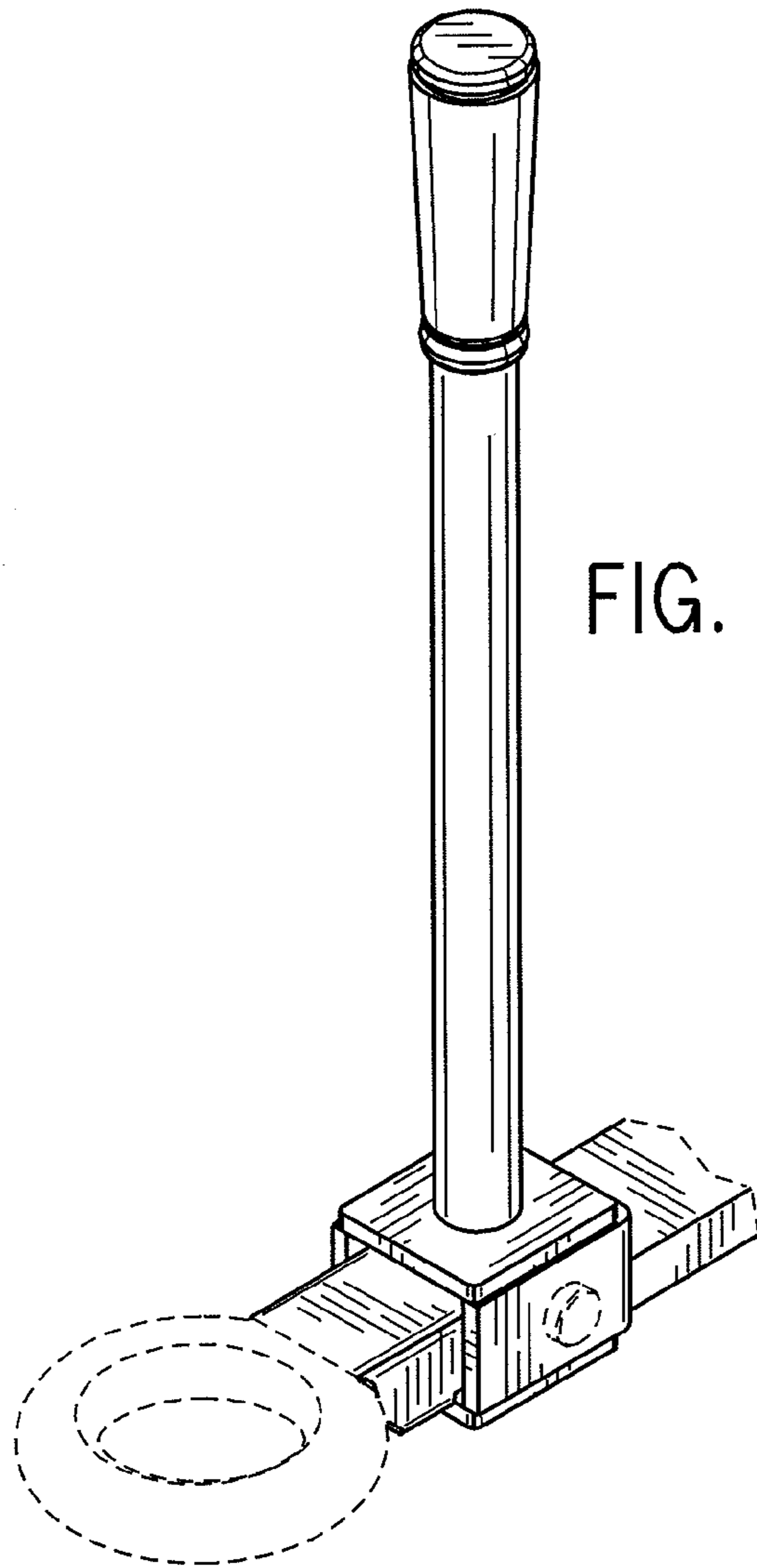
FIG. 4 is a side elevational view of the handle of FIG. 1;

FIG. 5 is a rear elevational view of the handle of FIG. 1; and,

FIG. 6 is a bottom plan view of the handle of FIG. 1.

1 Claim, 2 Drawing Sheets





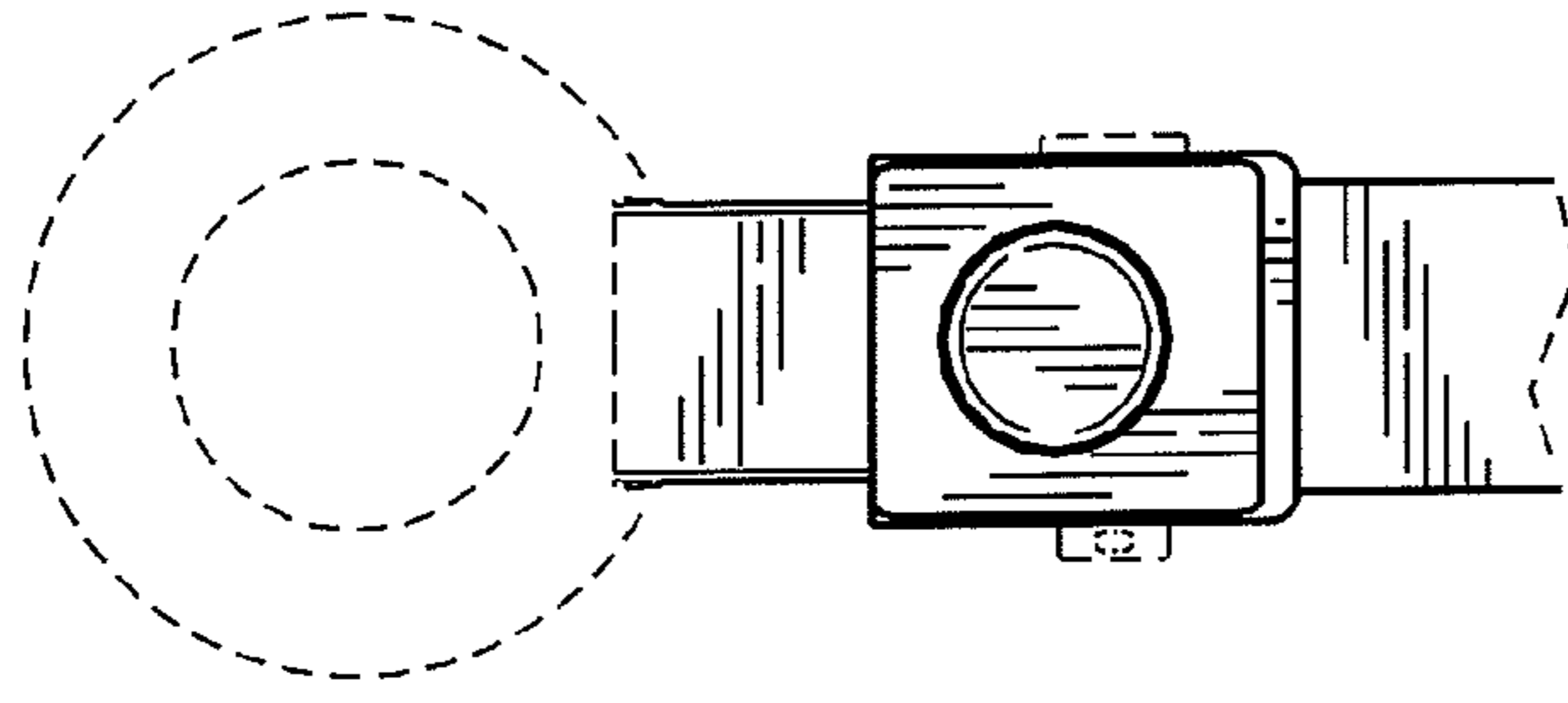


FIG. 3

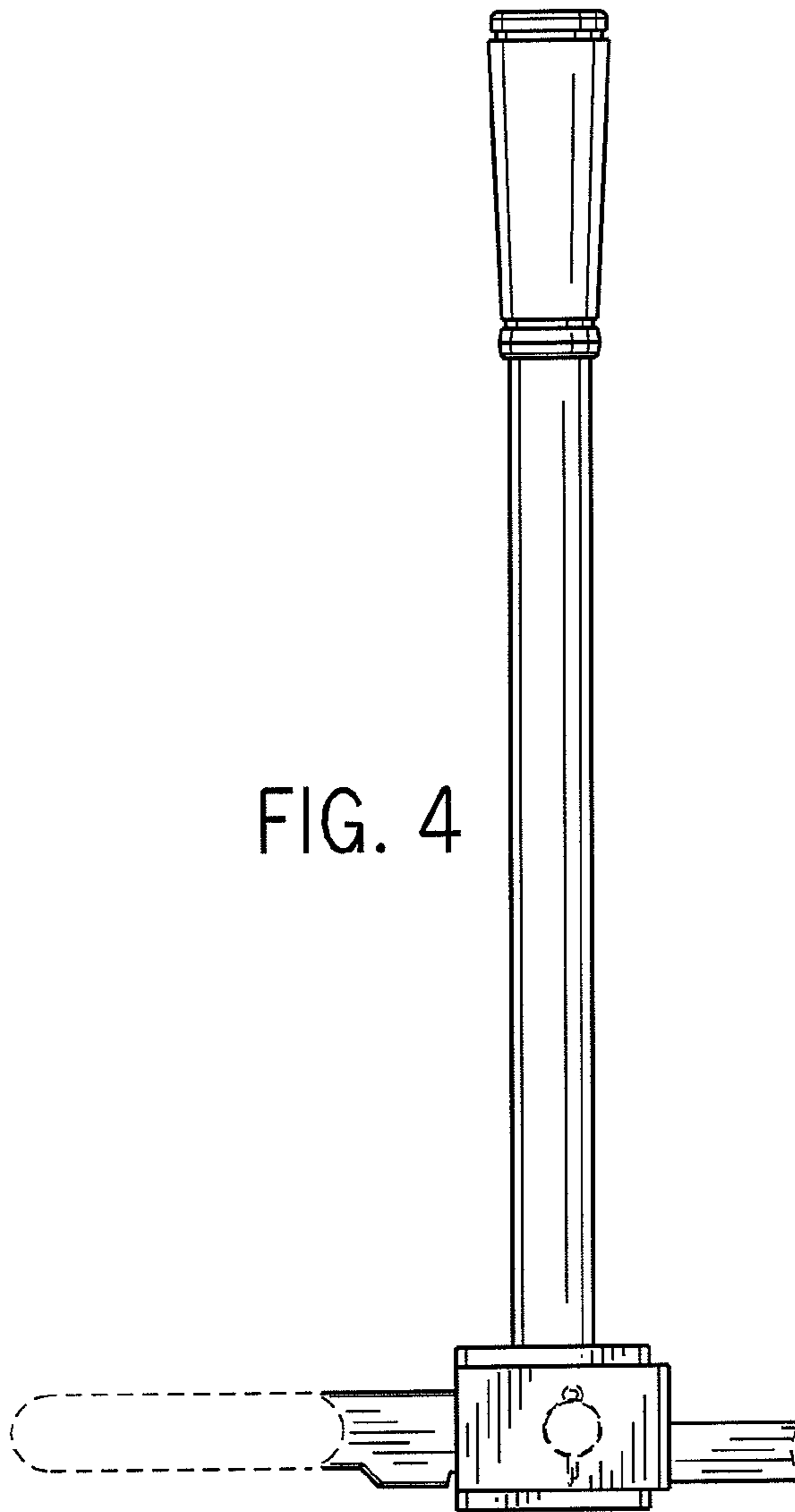


FIG. 4

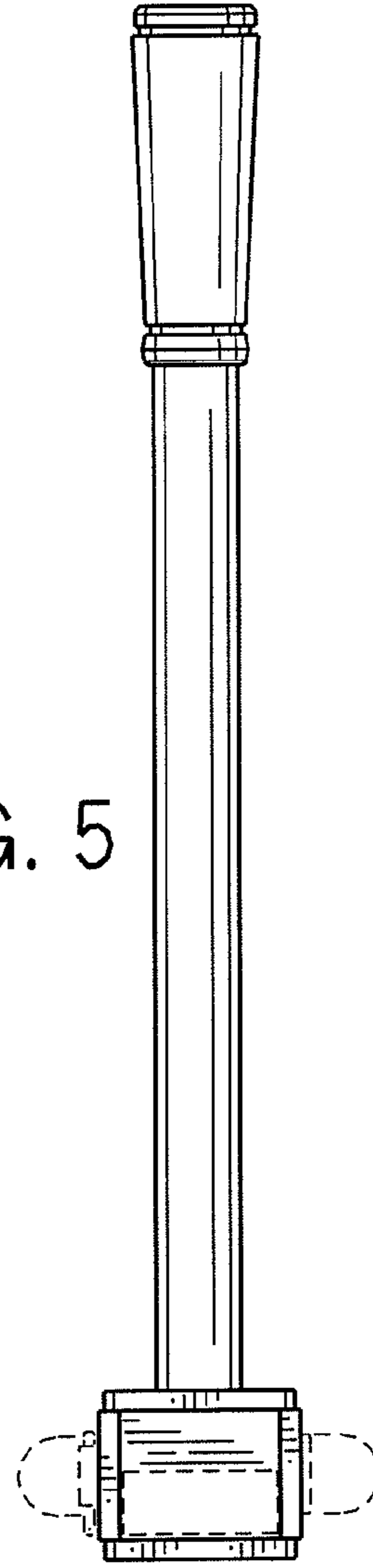


FIG. 5

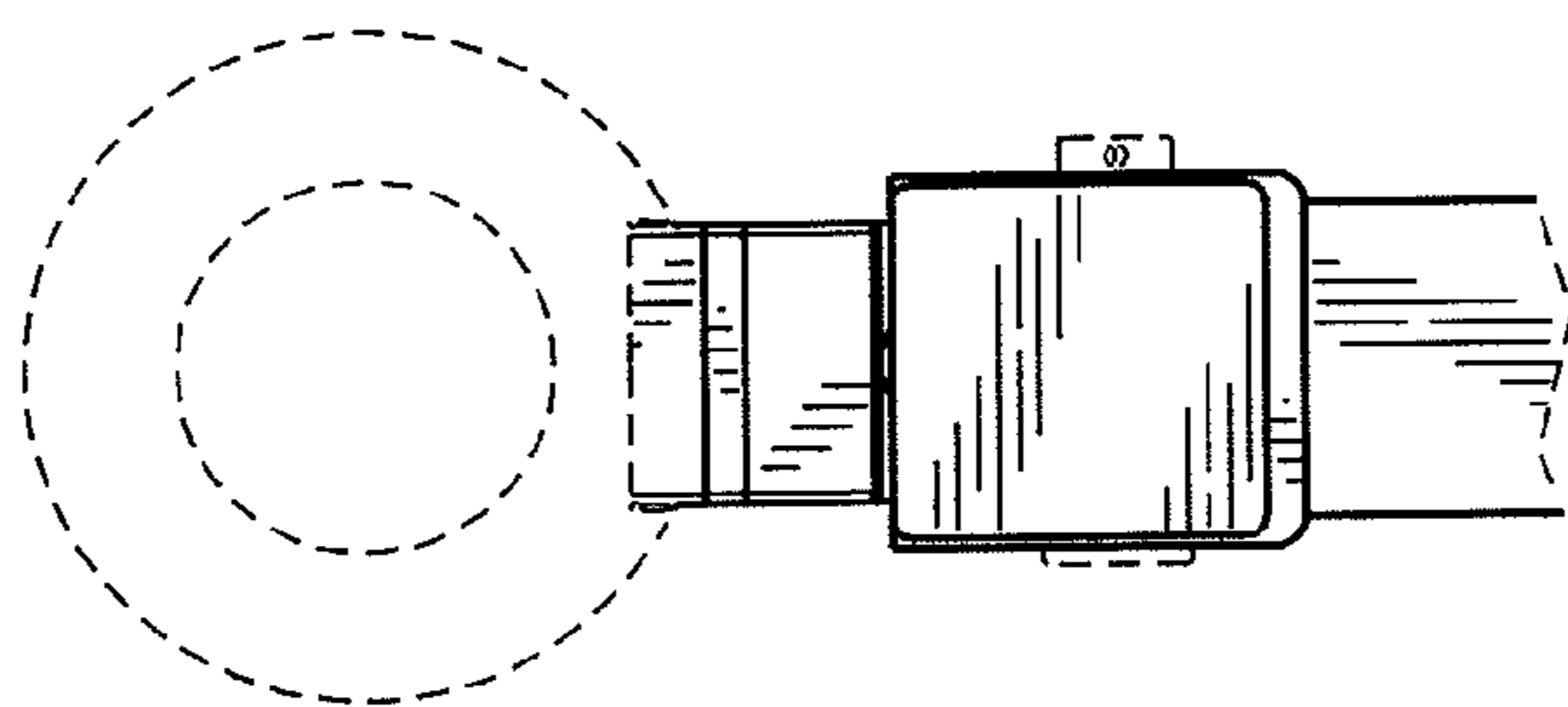


FIG. 6