



US00D555869S

(12) **United States Design Patent**  
**Zorzo**

(10) **Patent No.:** **US D555,869 S**

(45) **Date of Patent:** **\*\* Nov. 20, 2007**

(54) **CLEANING TROLLEY**

(75) Inventor: **Bruno Zorzo**, Villa del Conte (IT)

(73) Assignee: **Filmop s.r.l.**, Villa del Conte (PD) (IT)

(\*\*) Term: **14 Years**

(21) Appl. No.: **29/268,435**

(22) Filed: **Nov. 7, 2006**

(30) **Foreign Application Priority Data**

May 10, 2006 (EM) ..... 000526884-0002

(51) **LOC (8) Cl.** ..... **12-02**

(52) **U.S. Cl.** ..... **D34/14; D34/21**

(58) **Field of Classification Search** ..... D34/12-27;  
280/47.34, 47.35, 79.2, 47.26, 79.5; D6/477,  
D6/479; 229/676

See application file for complete search history.

(56) **References Cited**

**U.S. PATENT DOCUMENTS**

|           |     |         |                    |       |           |
|-----------|-----|---------|--------------------|-------|-----------|
| 3,214,120 | A * | 10/1965 | Mckee              | ..... | 248/129   |
| D273,242  | S * | 3/1984  | Maza et al.        | ..... | D34/21    |
| 4,743,040 | A * | 5/1988  | Breveglieri et al. | ..... | 280/47.35 |
| D302,064  | S * | 7/1989  | Delmerico          | ..... | D34/20    |
| 4,923,202 | A * | 5/1990  | Breveglieri et al. | ..... | 280/47.35 |
| D323,051  | S * | 1/1992  | Baggott            | ..... | D34/19    |

|              |      |         |                     |       |           |
|--------------|------|---------|---------------------|-------|-----------|
| 5,326,117    | A *  | 7/1994  | Cook                | ..... | 280/79.2  |
| D425,279     | S *  | 5/2000  | Houry et al.        | ..... | D34/20    |
| 6,497,423    | B1 * | 12/2002 | Perelli et al.      | ..... | 280/47.34 |
| D485,037     | S *  | 1/2004  | Presnell et al.     | ..... | D34/21    |
| D487,604     | S *  | 3/2004  | Van Landingham, Jr. | ....  | D34/12    |
| 7,014,199    | B2 * | 3/2006  | Henzel              | ..... | 280/47.35 |
| D533,705     | S *  | 12/2006 | Bertucci et al.     | ..... | D34/14    |
| D535,452     | S *  | 1/2007  | Lim et al.          | ..... | D34/19    |
| 2003/0122331 | A1 * | 7/2003  | DiGiacomo et al.    | ..... | 280/47.35 |

\* cited by examiner

*Primary Examiner*—Cynthia E. Ramirez

(74) *Attorney, Agent, or Firm*—Thomas S. Baker, Jr.

(57) **CLAIM**

The ornamental design for a cleaning trolley, as shown and described.

**DESCRIPTION**

FIG. 1 is a right side perspective view of a cleaning trolley showing my new design;

FIG. 2 is a rear perspective view thereof;

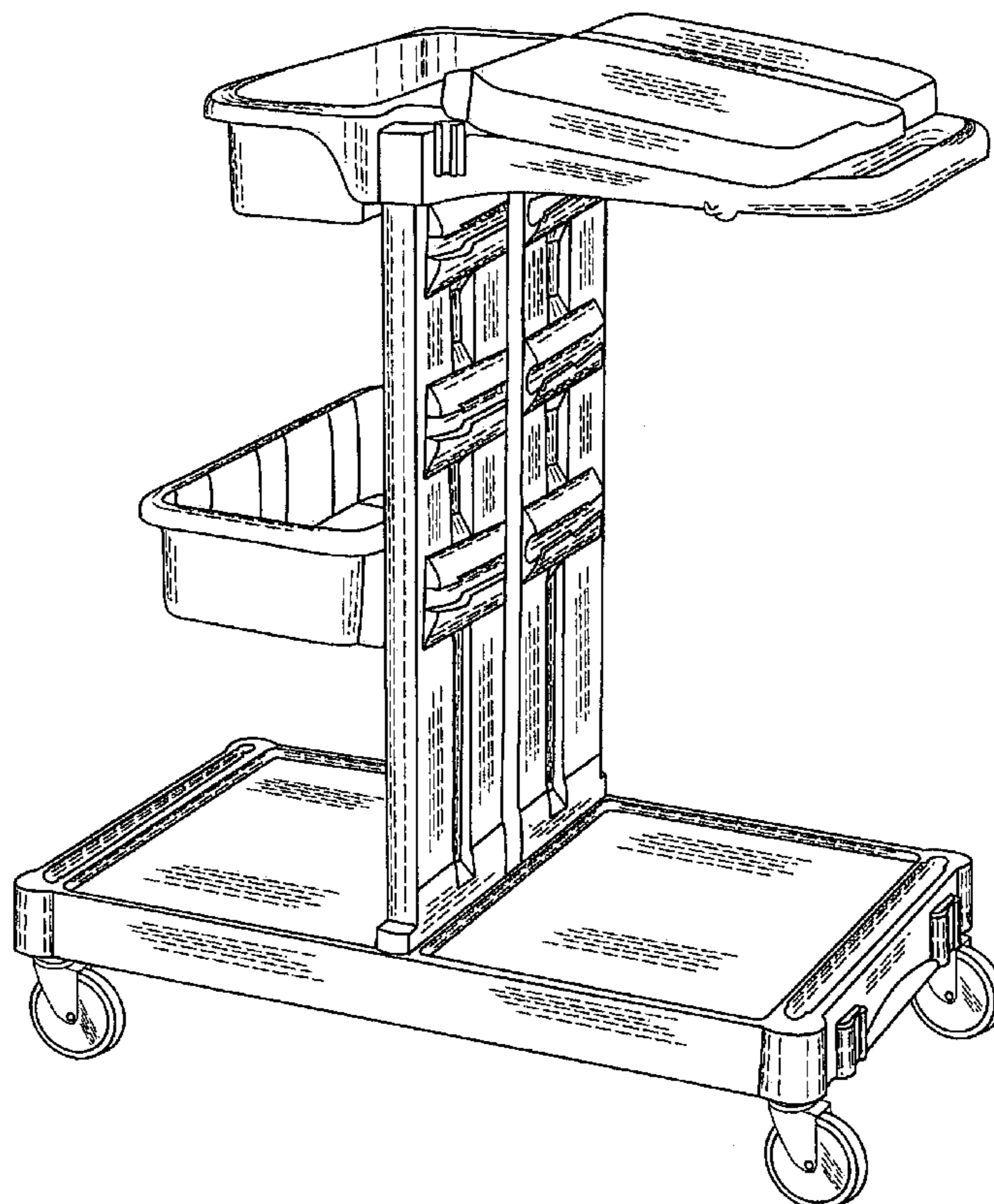
FIG. 3 is a right side elevational view thereof;

FIG. 4 is a left side elevational view thereof;

FIG. 5 is a front elevational view thereof; and,

FIG. 6 is a rear elevational view thereof.

**1 Claim, 6 Drawing Sheets**



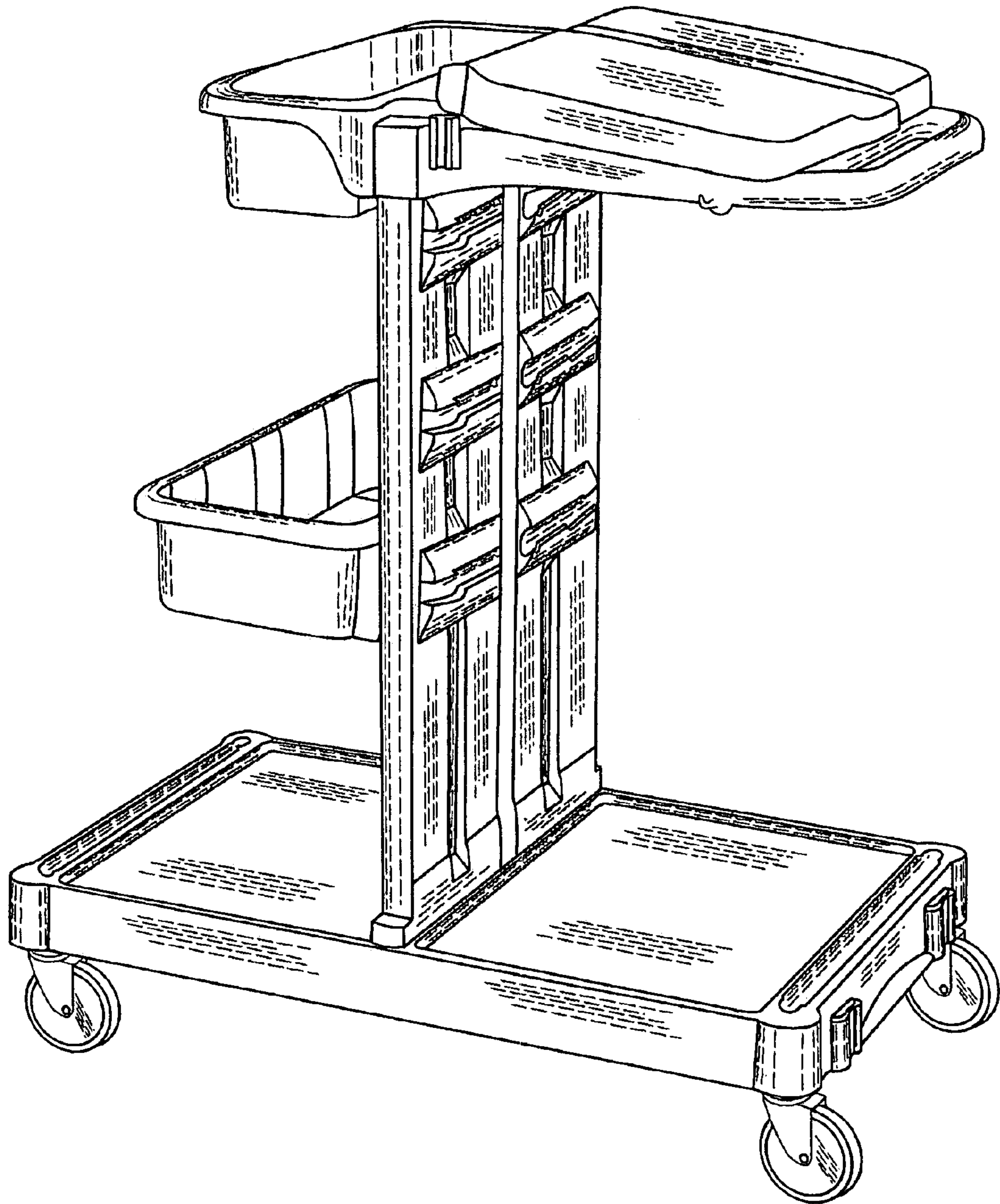


Fig. 1

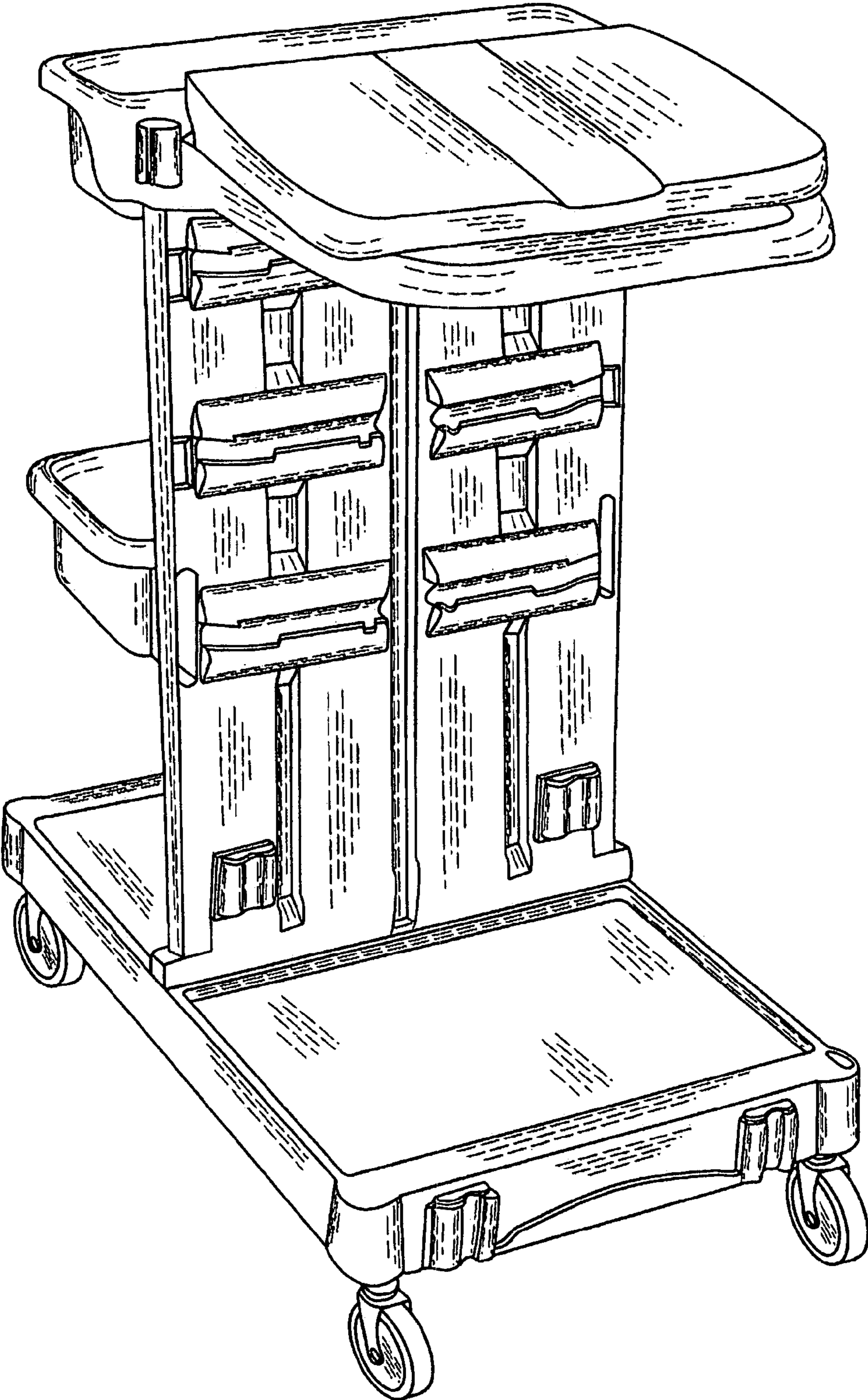


Fig. 2

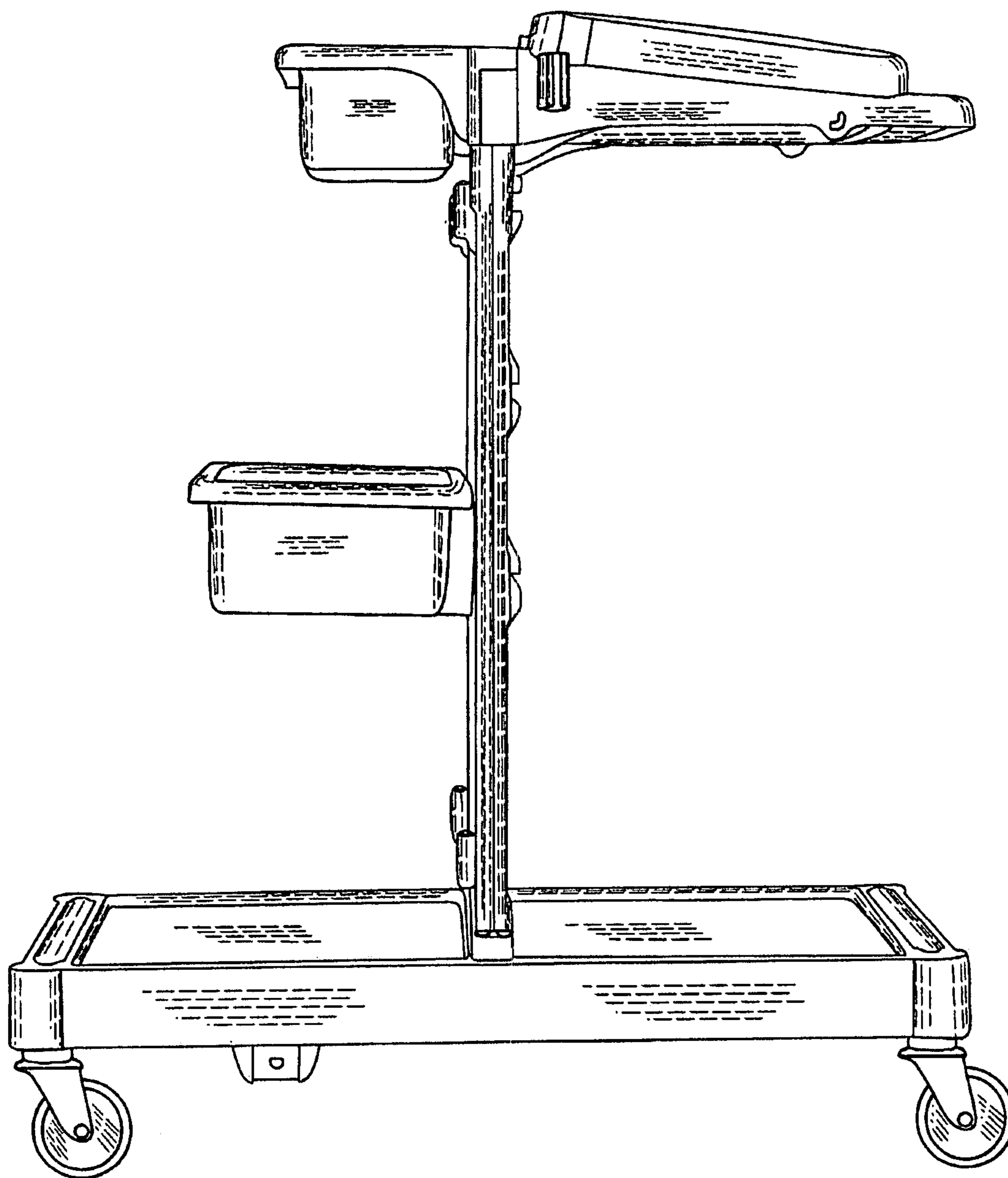


Fig. 3

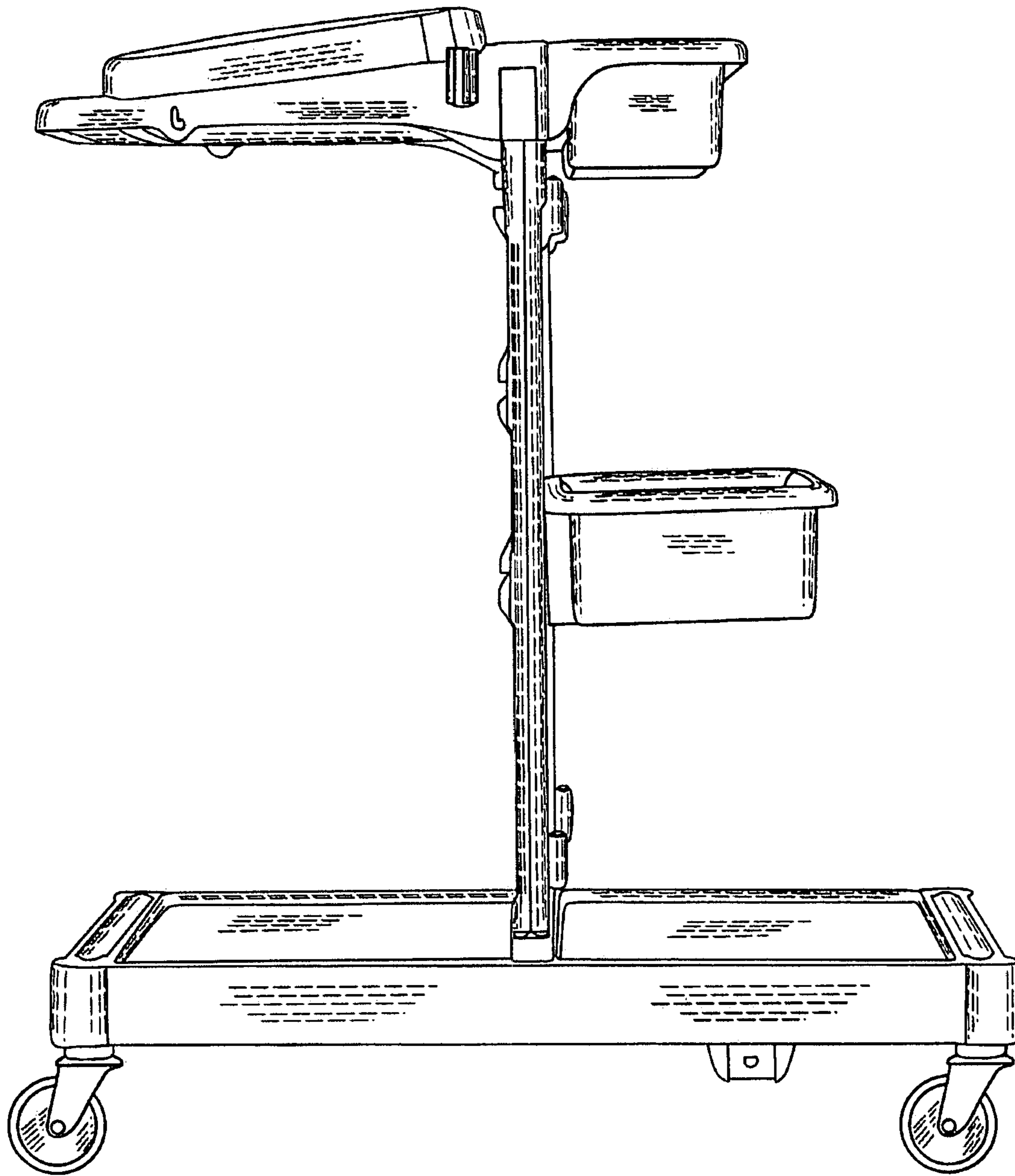


Fig. 4

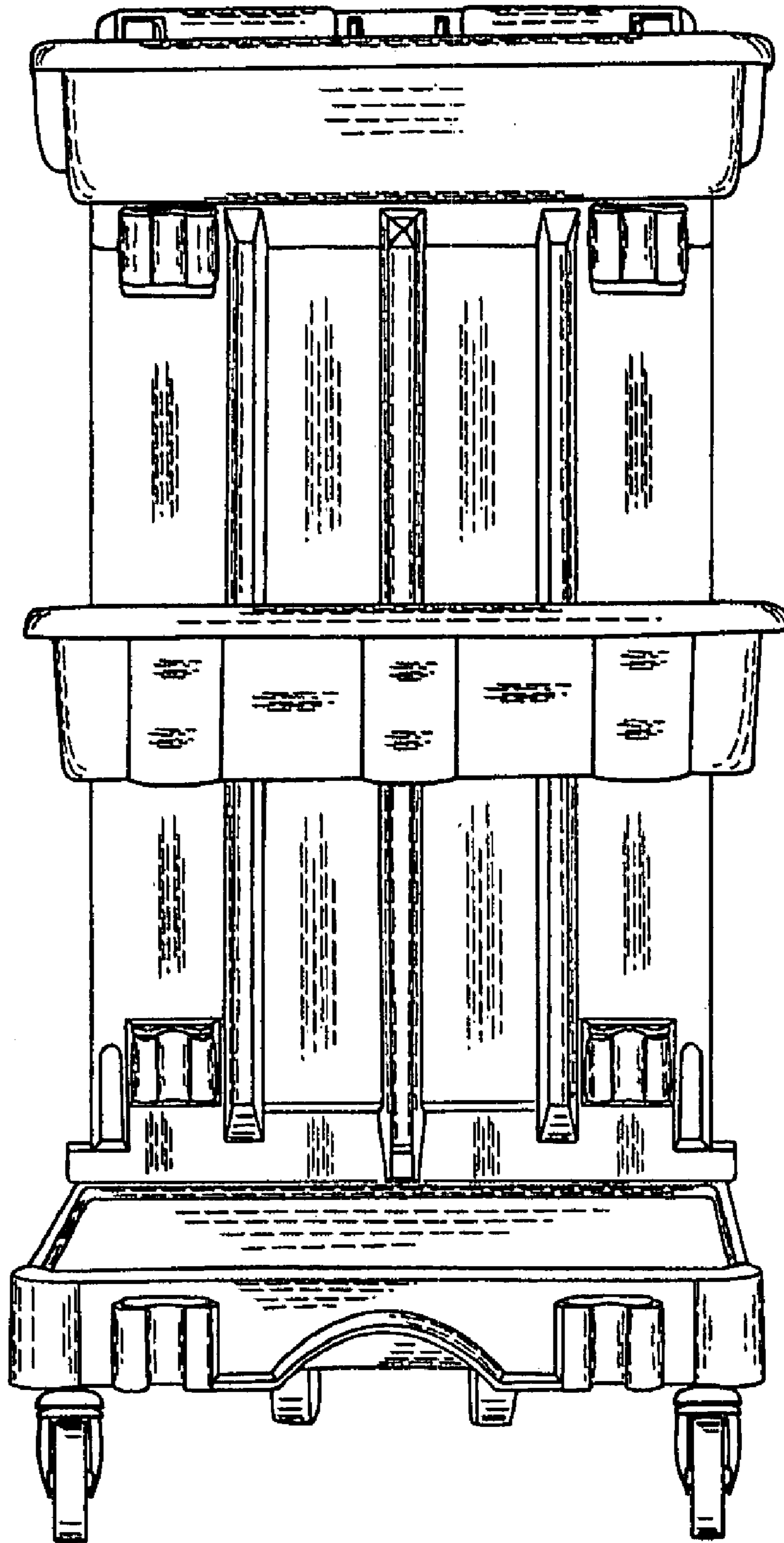


Fig. 5

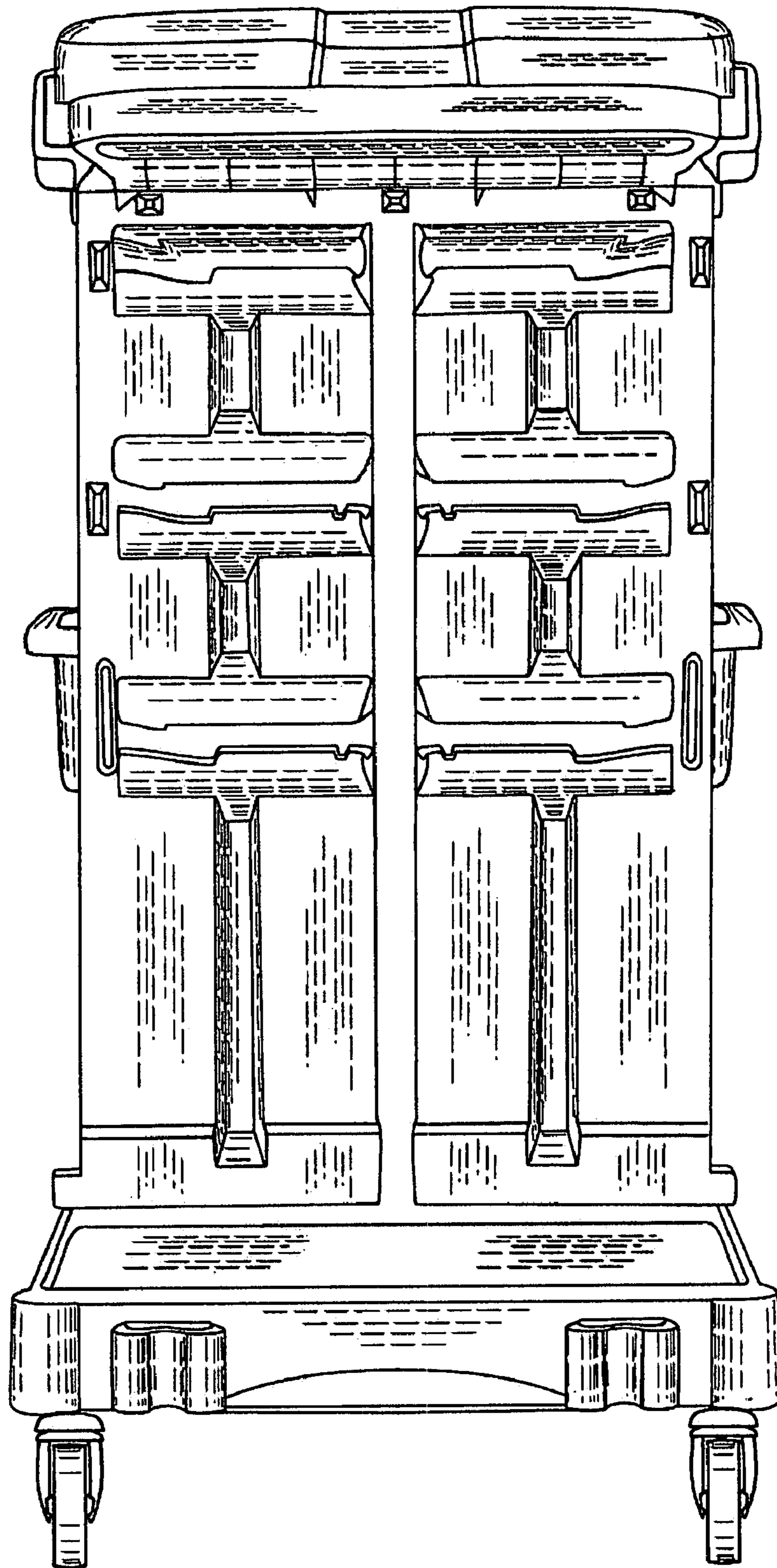


Fig. 6