



US00D555861S

(12) **United States Design Patent**  
**Larin**

(10) **Patent No.:** **US D555,861 S**

(45) **Date of Patent:** **\*\* Nov. 20, 2007**

(54) **TRASH CONTAINER**

(76) Inventor: **Dominic Larin**, 750, Des Erables  
Blvd., Valleyfield, Quebec (CA) J6T  
6C4

(\*\*) Term: **14 Years**

(21) Appl. No.: **29/224,428**

(22) Filed: **Mar. 1, 2005**

(51) **LOC (8) Cl.** ..... **09-09**

(52) **U.S. Cl.** ..... **D34/1**

(58) **Field of Classification Search** ..... D34/1,  
D34/7, 3, 5, 6; 220/254.5, 908; 414/422;  
294/68.1, 68.2, 68.26

See application file for complete search history.

(56) **References Cited**

**U.S. PATENT DOCUMENTS**

|           |     |        |               |       |           |
|-----------|-----|--------|---------------|-------|-----------|
| 3,136,575 | A * | 6/1964 | Kolling       | ..... | 294/68.26 |
| D217,232  | S * | 4/1970 | Meller et al. | ..... | D3/272    |
| 4,456,141 | A * | 6/1984 | Pamment       | ..... | 220/254.5 |
| D300,069  | S * | 2/1989 | Abel          | ..... | D34/3     |

|           |     |         |          |       |         |
|-----------|-----|---------|----------|-------|---------|
| 4,892,218 | A * | 1/1990  | Reiling  | ..... | 220/263 |
| 5,015,143 | A * | 5/1991  | Carson   | ..... | 414/411 |
| 5,098,250 | A * | 3/1992  | Carson   | ..... | 414/411 |
| 5,360,132 | A * | 11/1994 | Edelhoff | ..... | 220/213 |
| 5,490,606 | A * | 2/1996  | Lombardo | ..... | 220/324 |
| 5,868,267 | A * | 2/1999  | Taylor   | ..... | 220/826 |

\* cited by examiner

*Primary Examiner*—Cynthia E. Ramirez

(57) **CLAIM**

The ornamental design for a trash container, as shown and described.

**DESCRIPTION**

FIG. 1 is a front, top, and side perspective view for a trash container showing my new design.

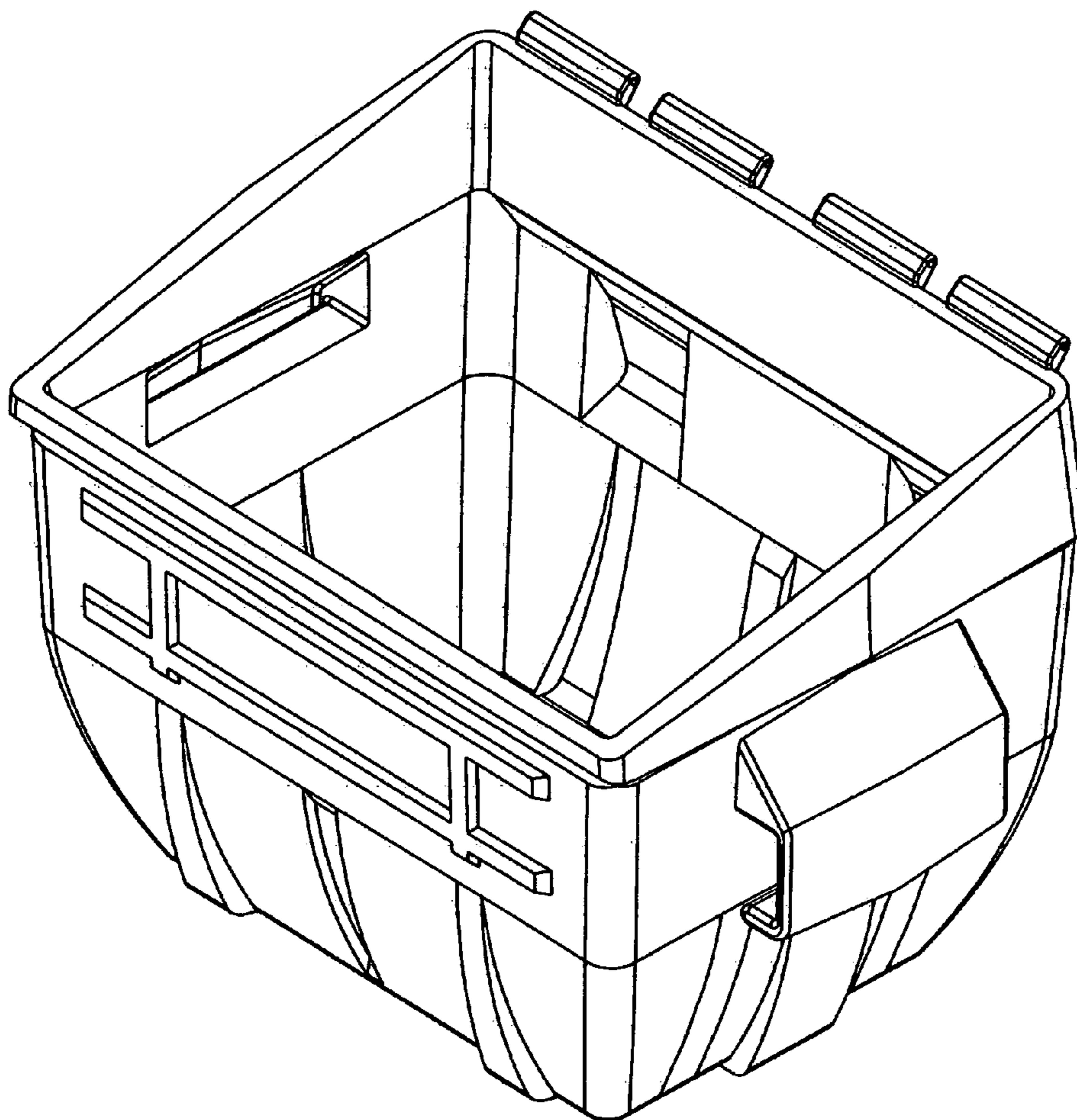
FIG. 2 is a rear, bottom, and side perspective view thereof.

FIG. 3. is a side view, the other side being a mirror image.

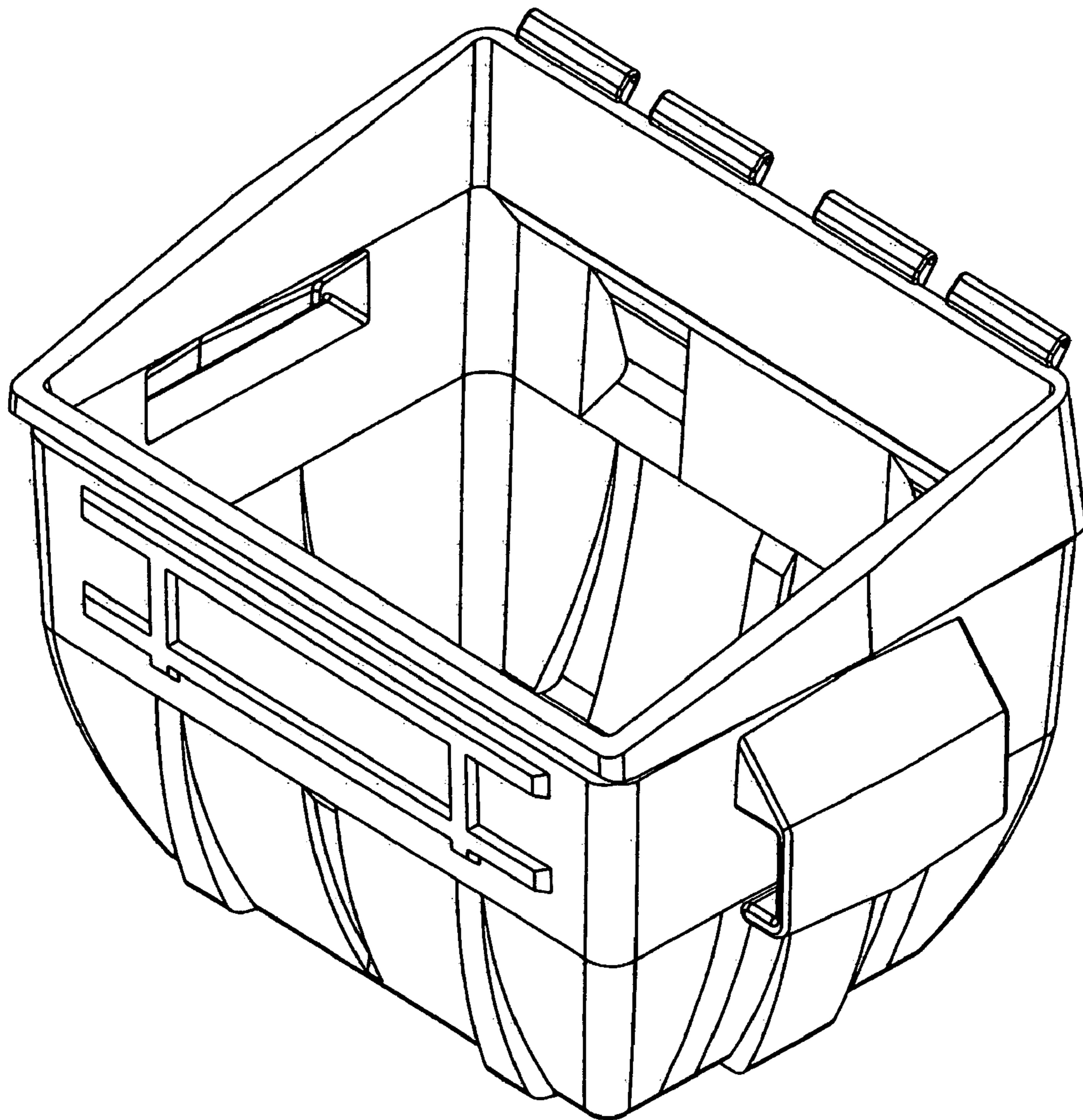
FIG. 4 is a front view thereof; and,

FIG. 5 is a front view thereof.

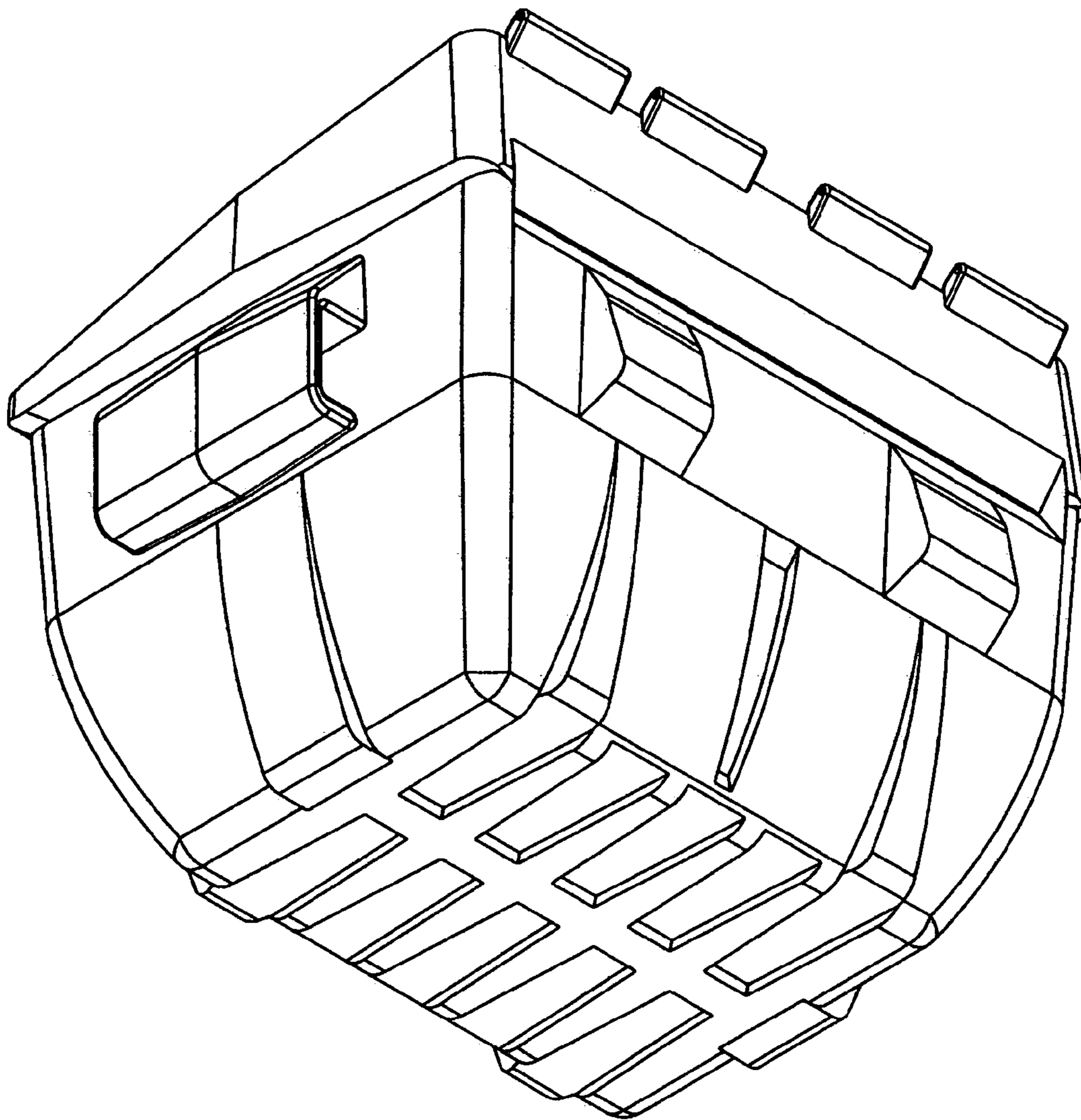
**1 Claim, 5 Drawing Sheets**



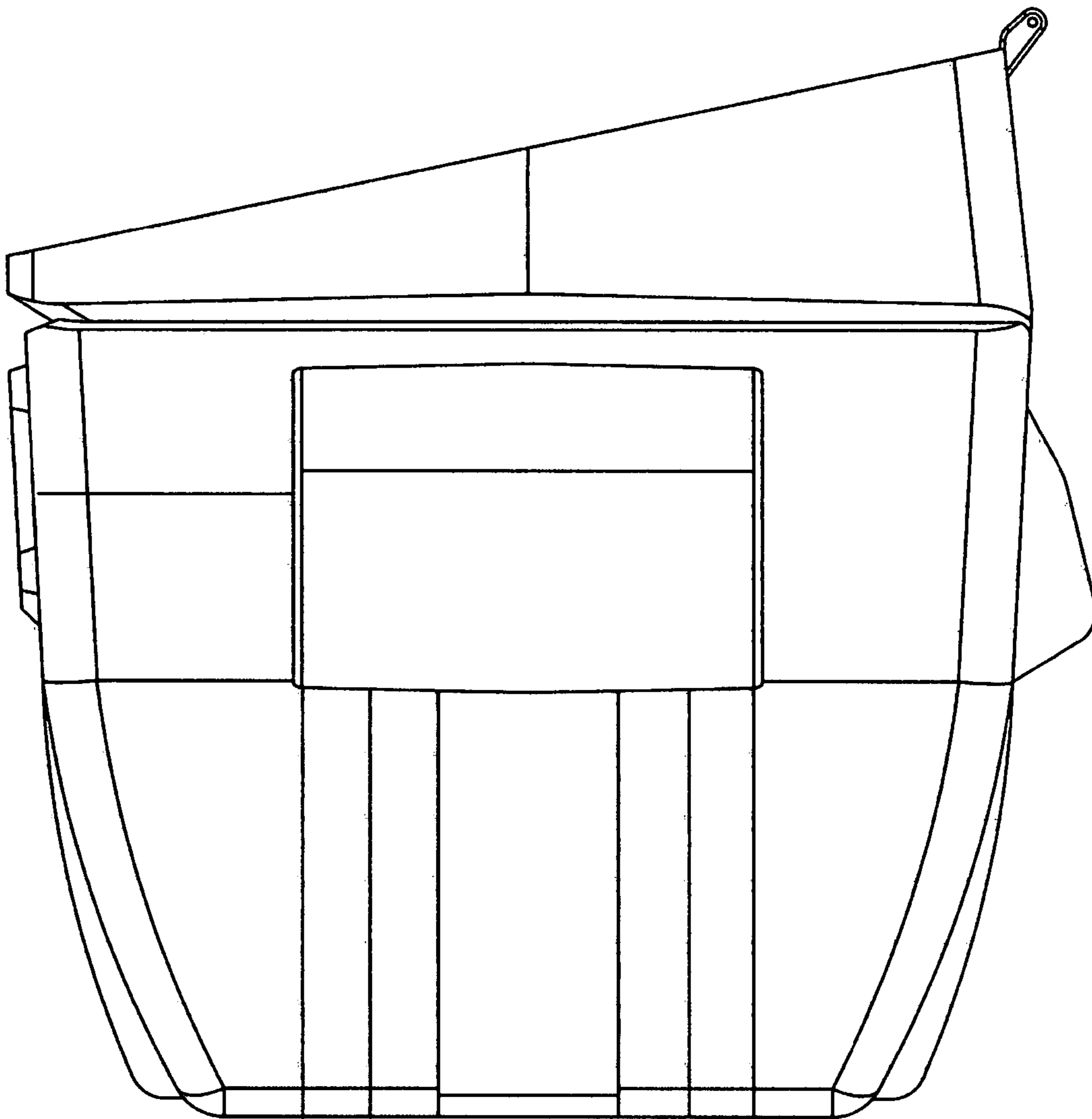
**FIG. 1**



**FIG. 2**

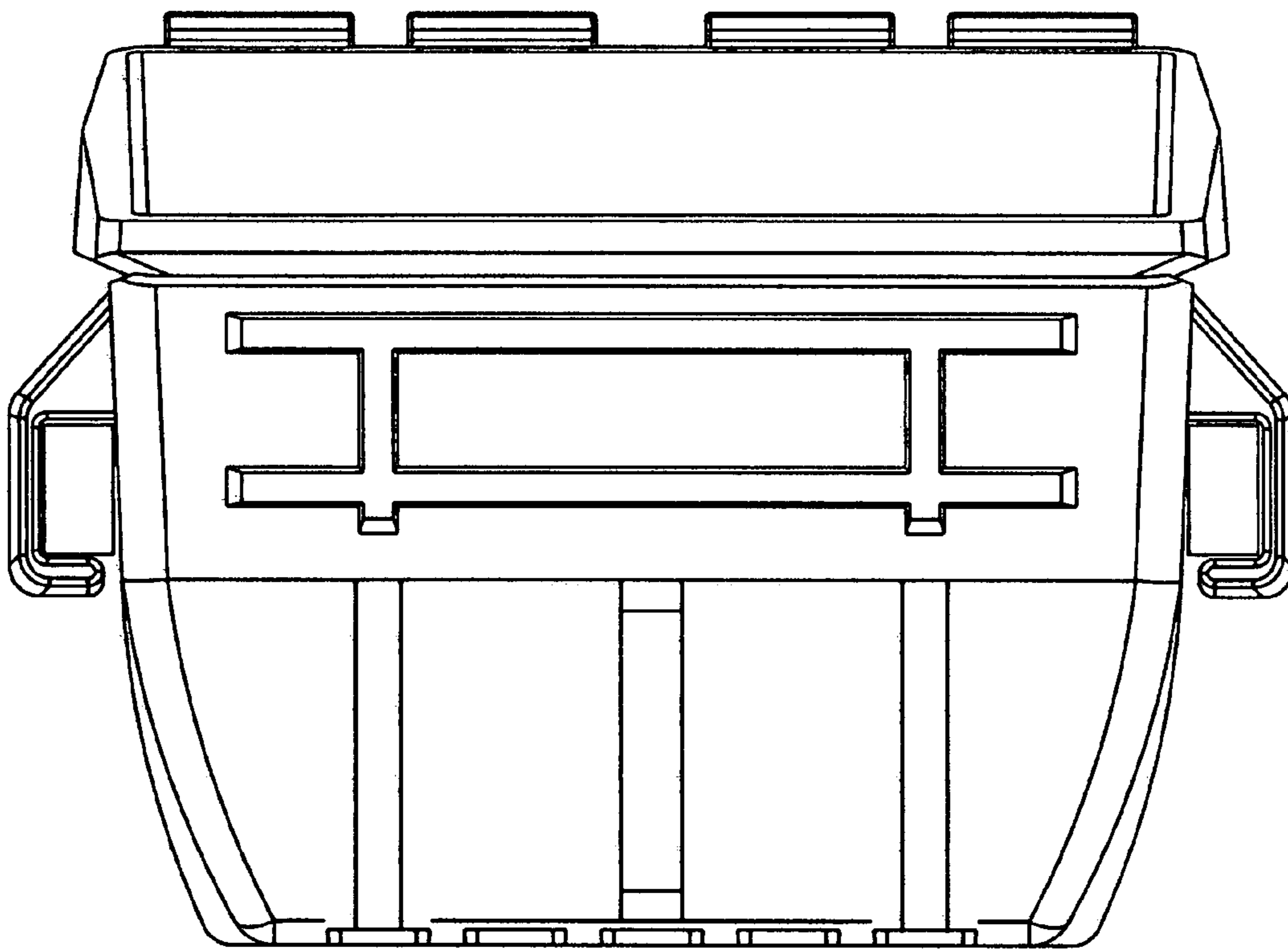


**FIG. 3**





**FIG. 4**



**FIG. 5**

