



US00D555858S

(12) **United States Design Patent** (10) **Patent No.:** **US D555,858 S**
Yoo (45) **Date of Patent:** **** Nov. 20, 2007**

(54) **WATER BUCKET FOR PORTABLE IRRIGATOR**

Primary Examiner—Pamela J. Burgess
(74) *Attorney, Agent, or Firm*—Cantor Colburn LLP

(76) Inventor: **Byung Eun Yoo**, 616-5, Daemyeong-9dong, Nam-gu, Daegu 705-805 (KR)

(57) **CLAIM**

I claim, the ornamental design for a water bucket for portable irrigator, as shown and described.

(**) Term: **14 Years**

(21) Appl. No.: **29/259,504**

DESCRIPTION

(22) Filed: **May 10, 2006**

(30) **Foreign Application Priority Data**

Dec. 8, 2005 (KR) 30-2005-0041301

(51) **LOC (8) Cl.** **07-07**

(52) **U.S. Cl.** **D32/53; D32/1**

(58) **Field of Classification Search** D32/1,
D32/35, 53-54; D24/216-234, 111, 176,
D24/108; 422/26-28, 31, 292, 295, 300-301,
422/305; 220/760; 601/162, 165; 239/724;
405/90; 134/169 A, 58 R, 111, 200, 186,
134/180, 107, 135, 188, 198

See application file for complete search history.

(56) **References Cited**

U.S. PATENT DOCUMENTS

D322,337 S *	12/1991	Padgett	D32/1
D384,446 S *	9/1997	Linton et al.	D32/1
5,788,466 A *	8/1998	Thompson	417/360
D406,416 S *	3/1999	Chan	D32/1
D406,417 S *	3/1999	Linton et al.	D32/1
6,390,104 B1 *	5/2002	Gagnon	134/107
D463,076 S *	9/2002	Nottingham et al.	D32/1
D469,175 S *	1/2003	Hall et al.	D24/108
D478,659 S *	8/2003	Hall et al.	D24/108

* cited by examiner

FIG. 1 is a top and front perspective view of a water bucket for portable irrigator, showing our new design;

FIG. 2 is a front elevational view thereof;

FIG. 3 is a rear elevational view thereof;

FIG. 4 is a left side elevational view thereof;

FIG. 5 is a right side elevational view thereof;

FIG. 6 is a top plan view thereof;

FIG. 7 is a bottom plan view thereof;

FIG. 8 is a front elevational view thereof, the water bucket for portable irrigator being in an alternate position;

FIG. 9 is a cross-sectional view thereof taken along line A—A in FIG. 8;

FIG. 10 is a front perspective view thereof, the water bucket for portable irrigator being connected to a portable irrigator; and,

FIG. 11 is a front perspective view thereof, the water bucket for portable irrigator being connected to a portable irrigator and a cord.

The portable irrigator and the cord are shown in broken lines for illustrative purposes only and forms no part of the claimed design.

1 Claim, 11 Drawing Sheets

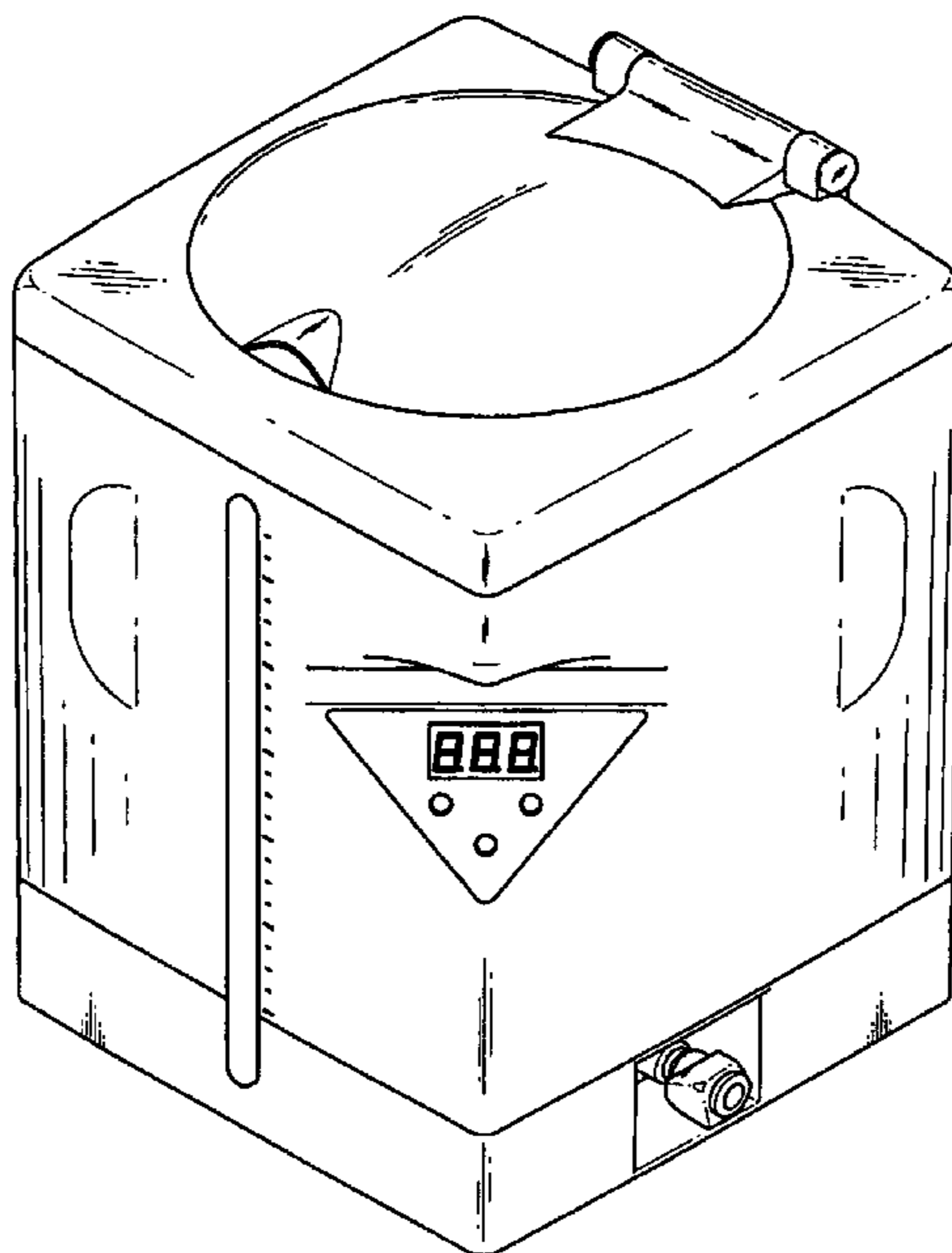


FIG. 1

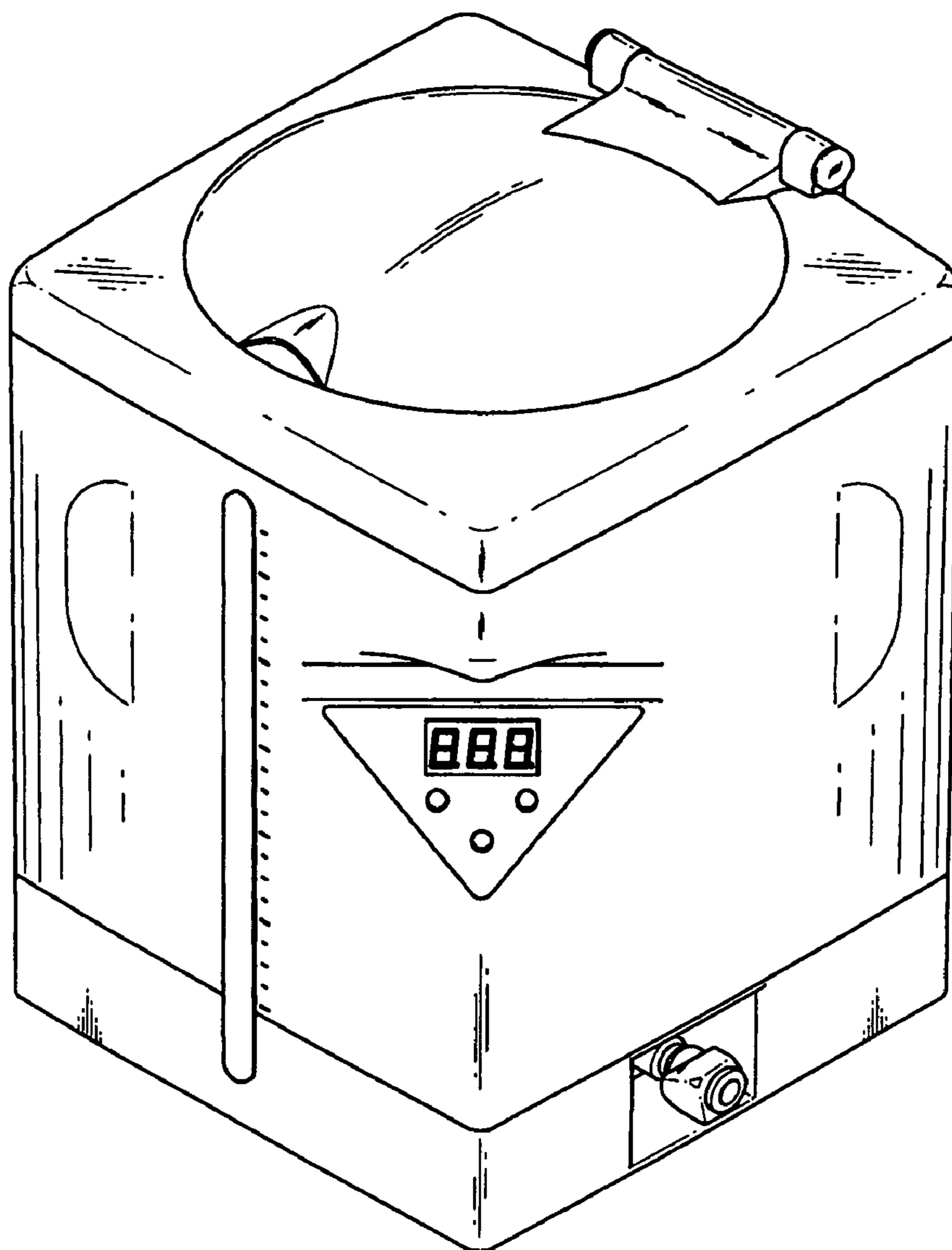


FIG. 2

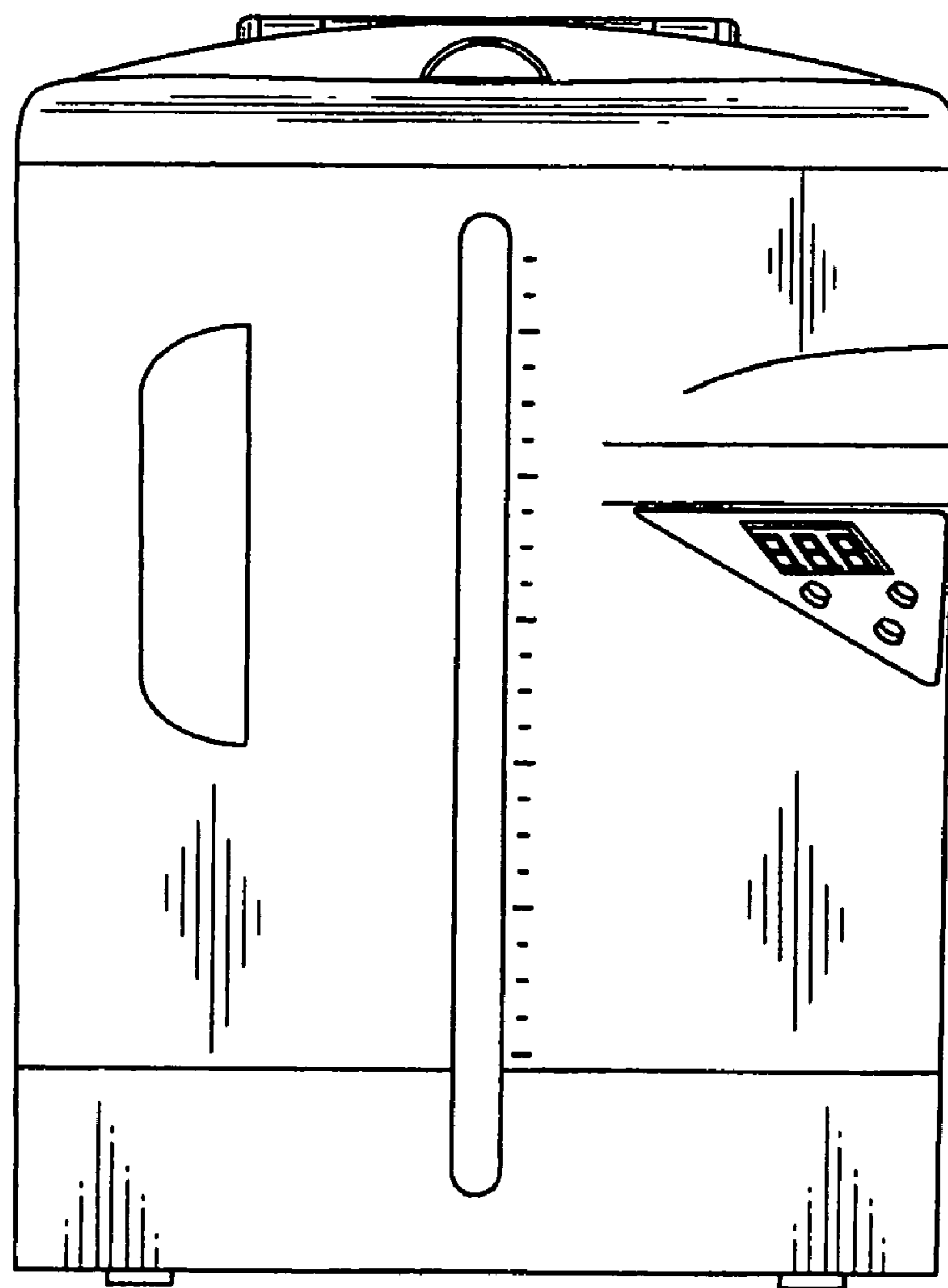


FIG. 3

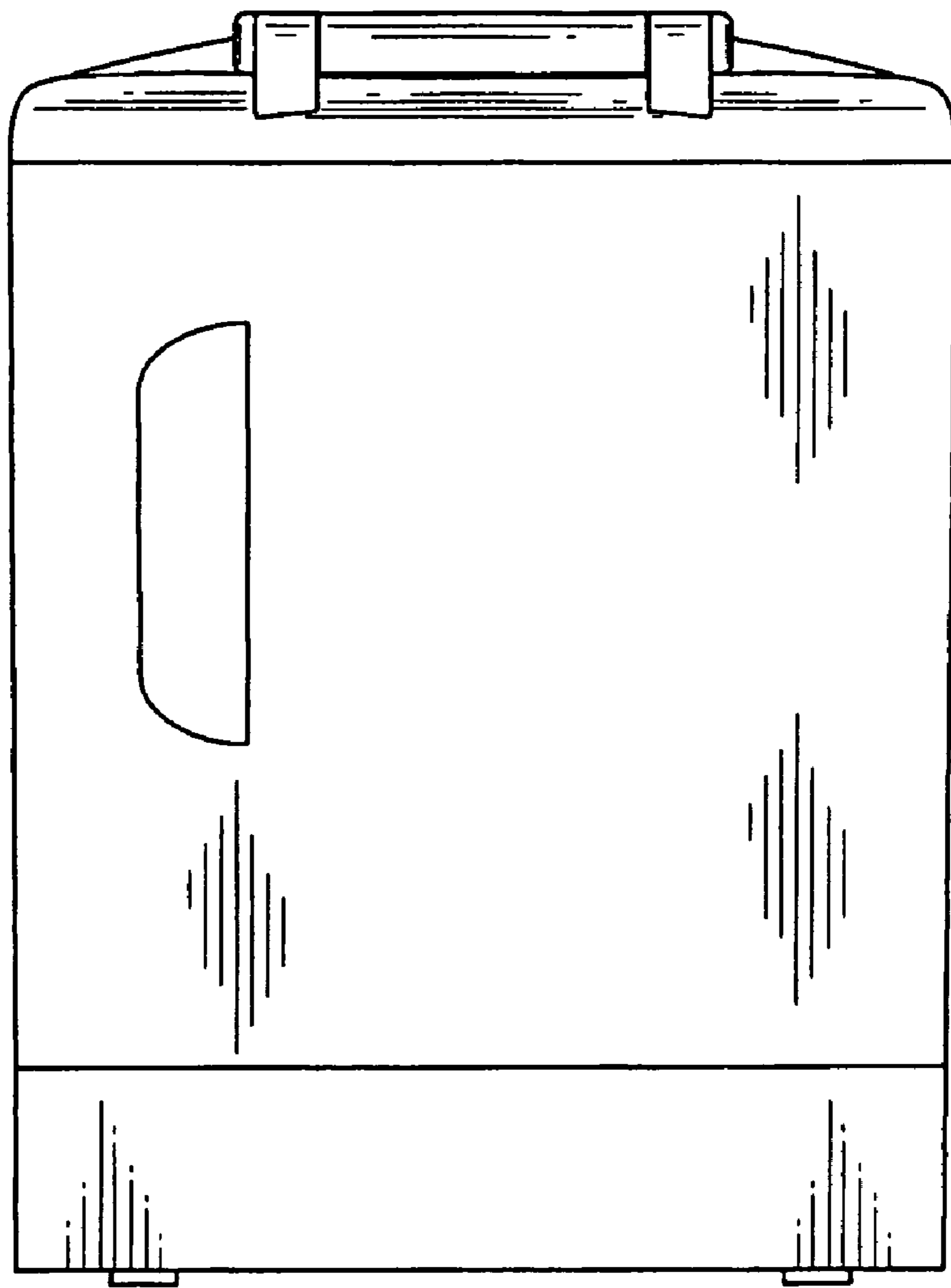


FIG. 4

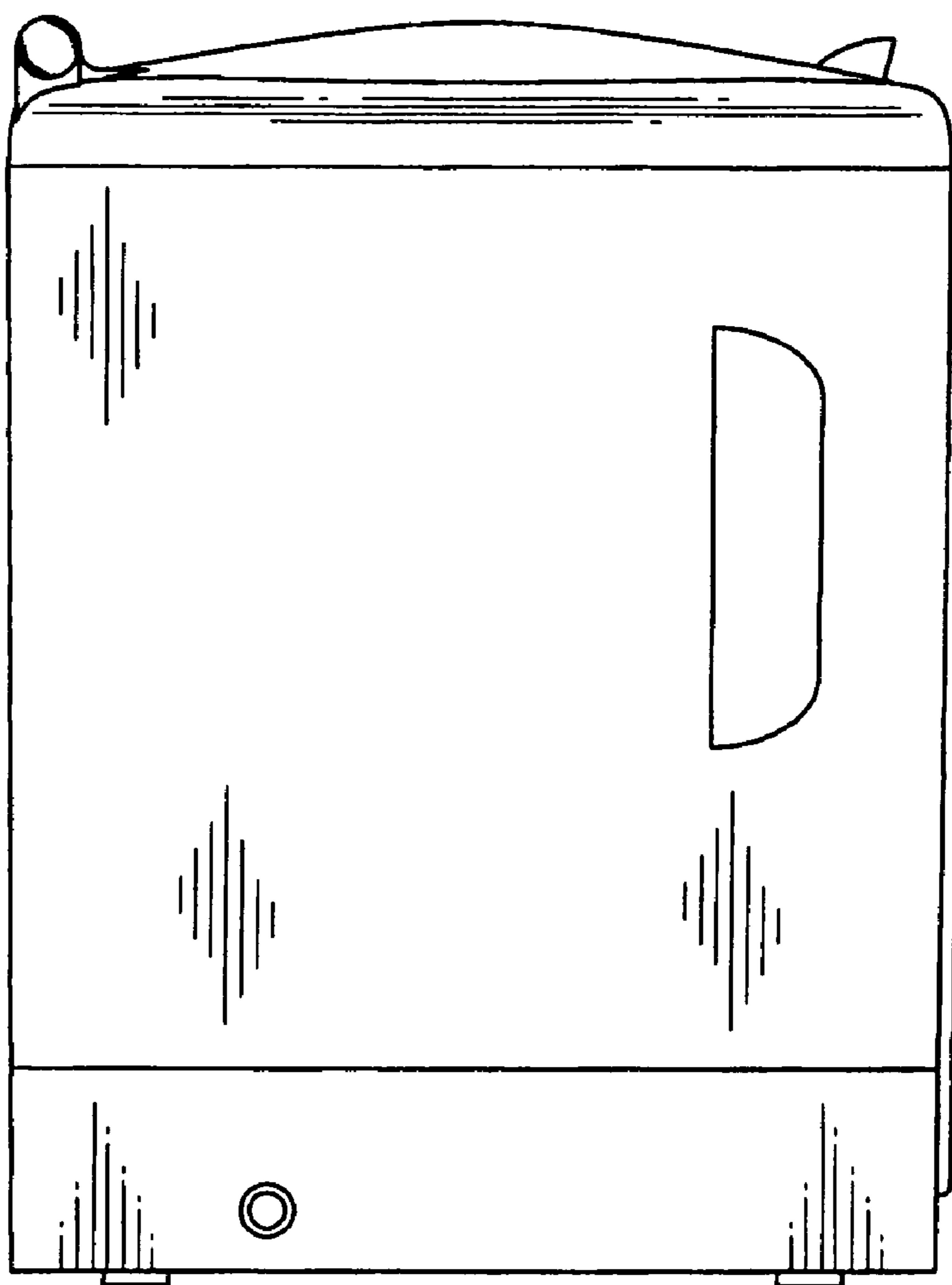


FIG. 5

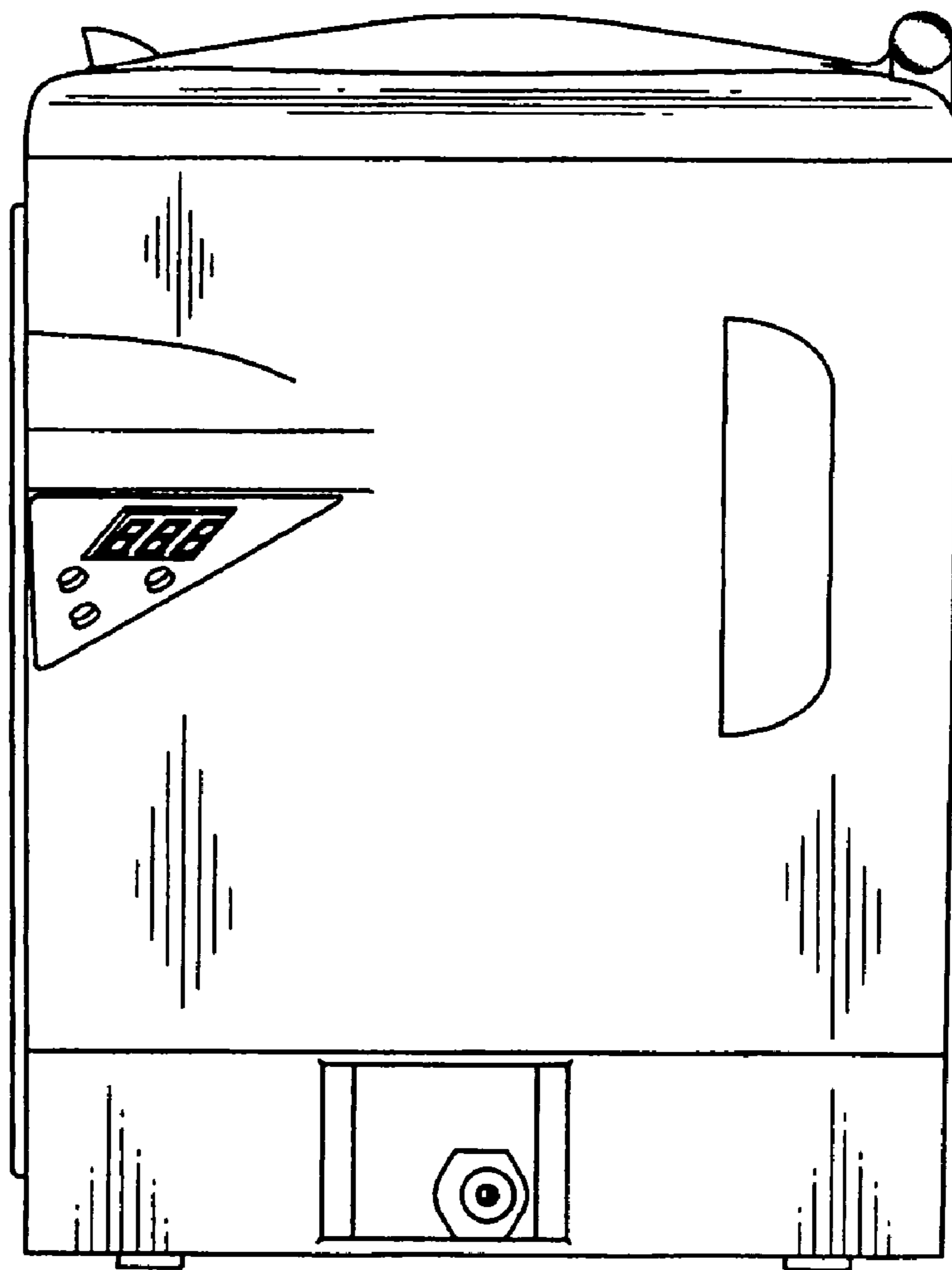


FIG. 6

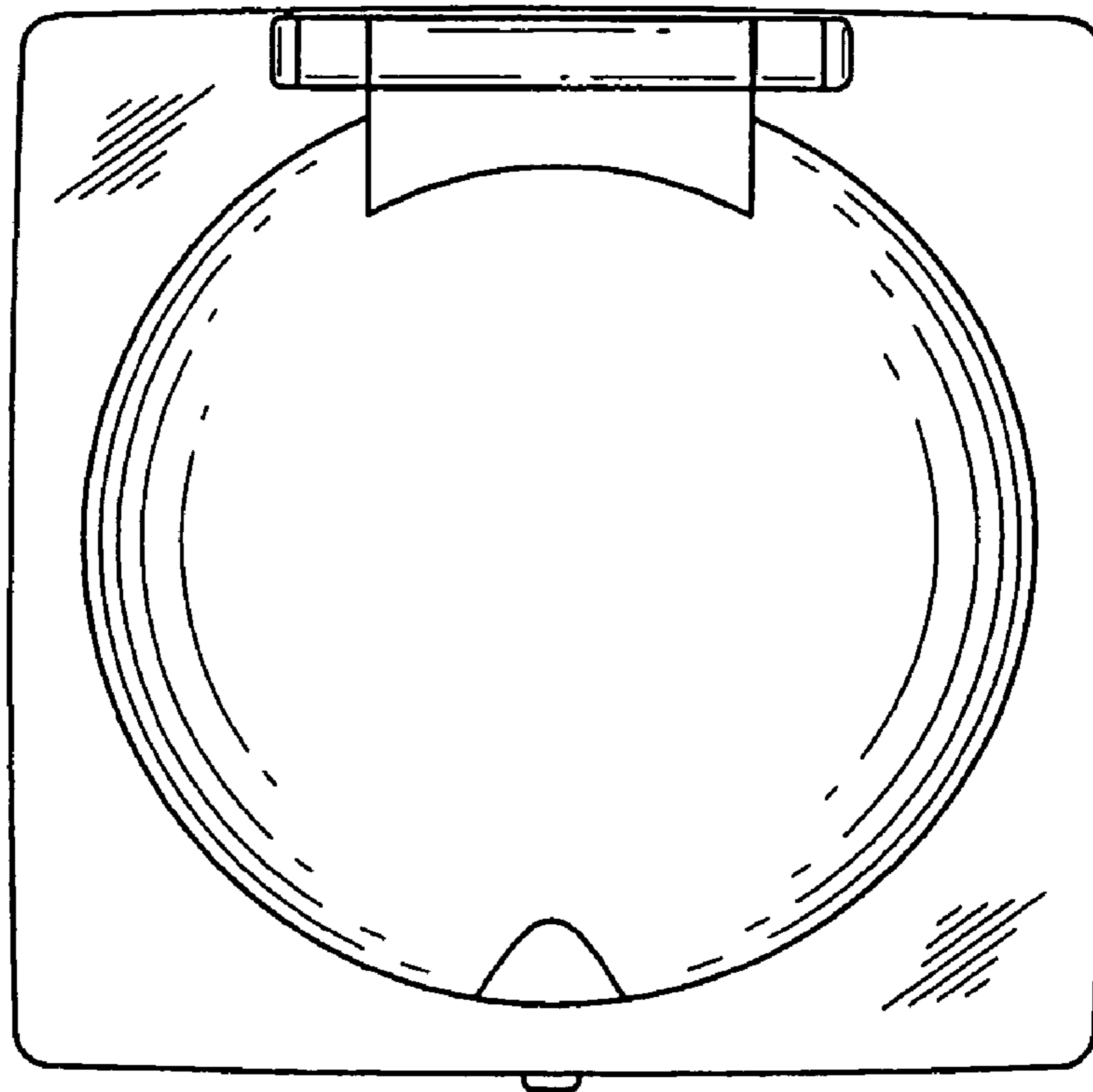


FIG. 7

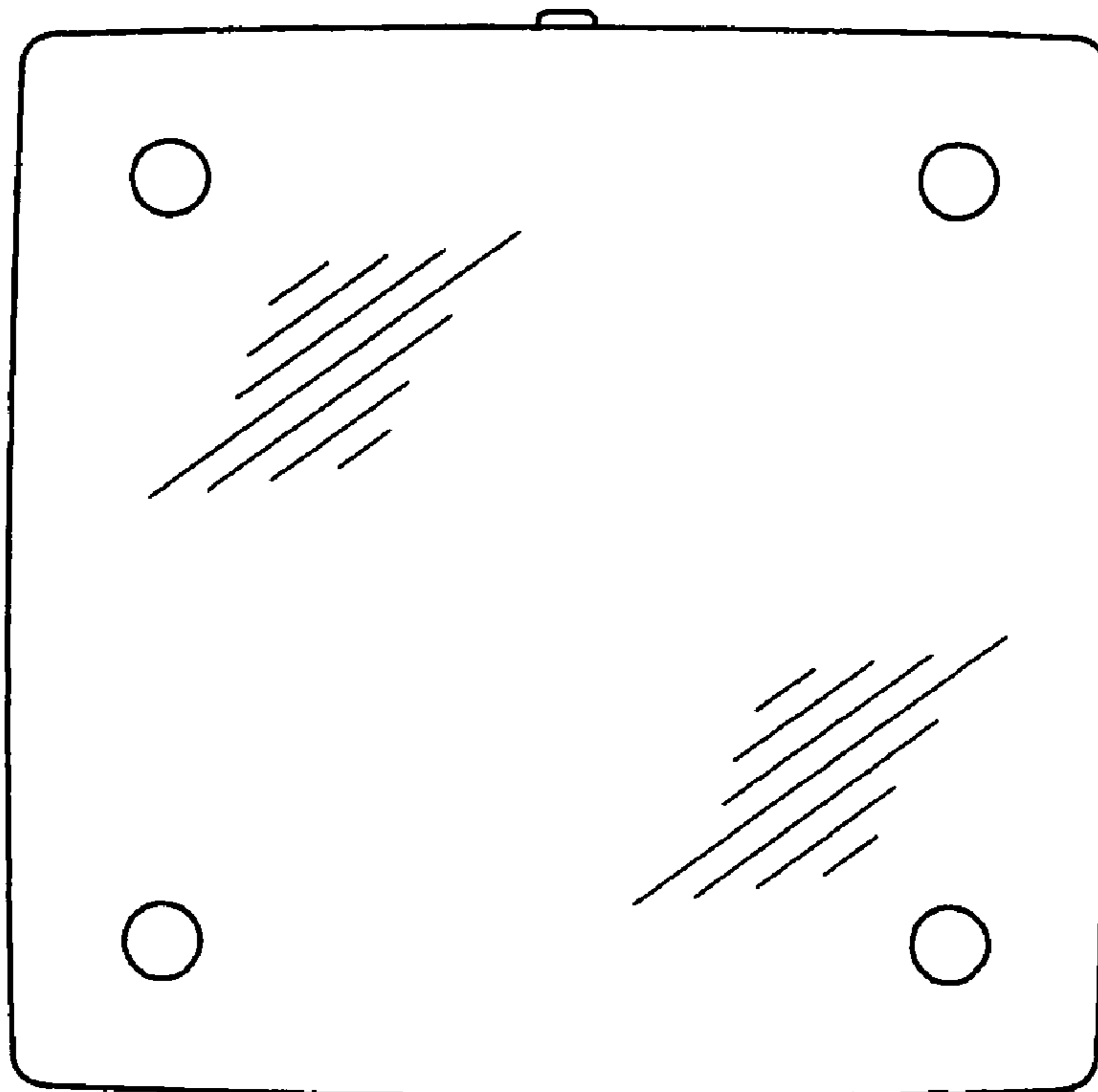


FIG. 8

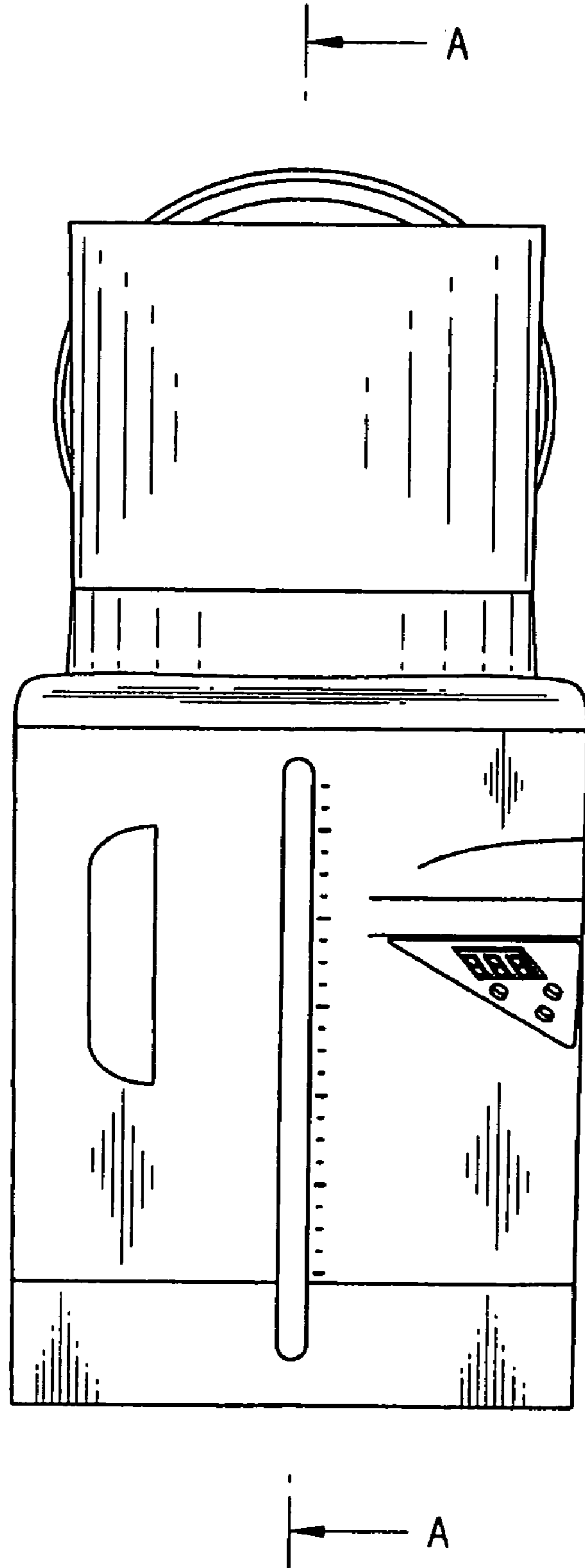


FIG. 9

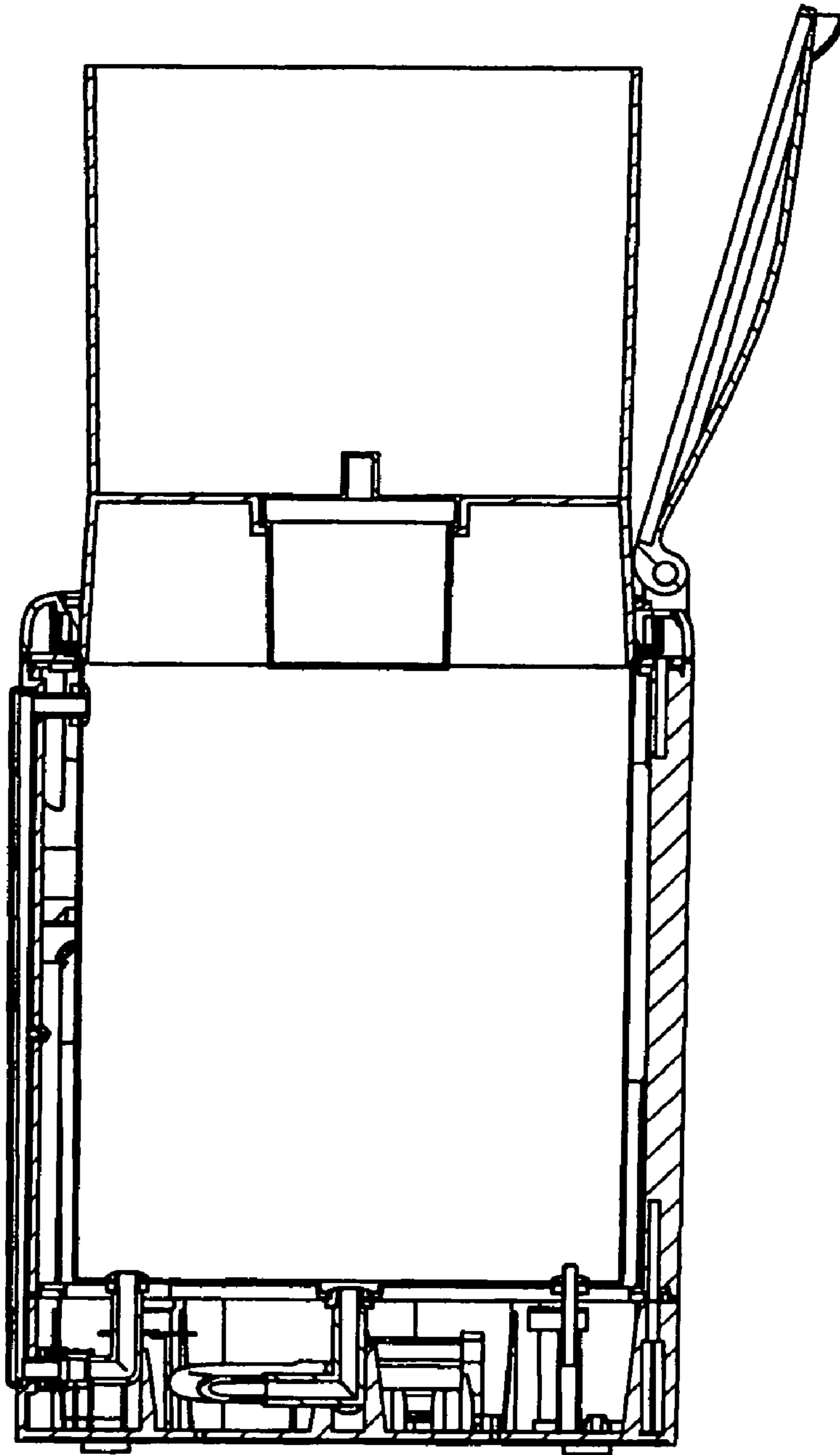


FIG. 10

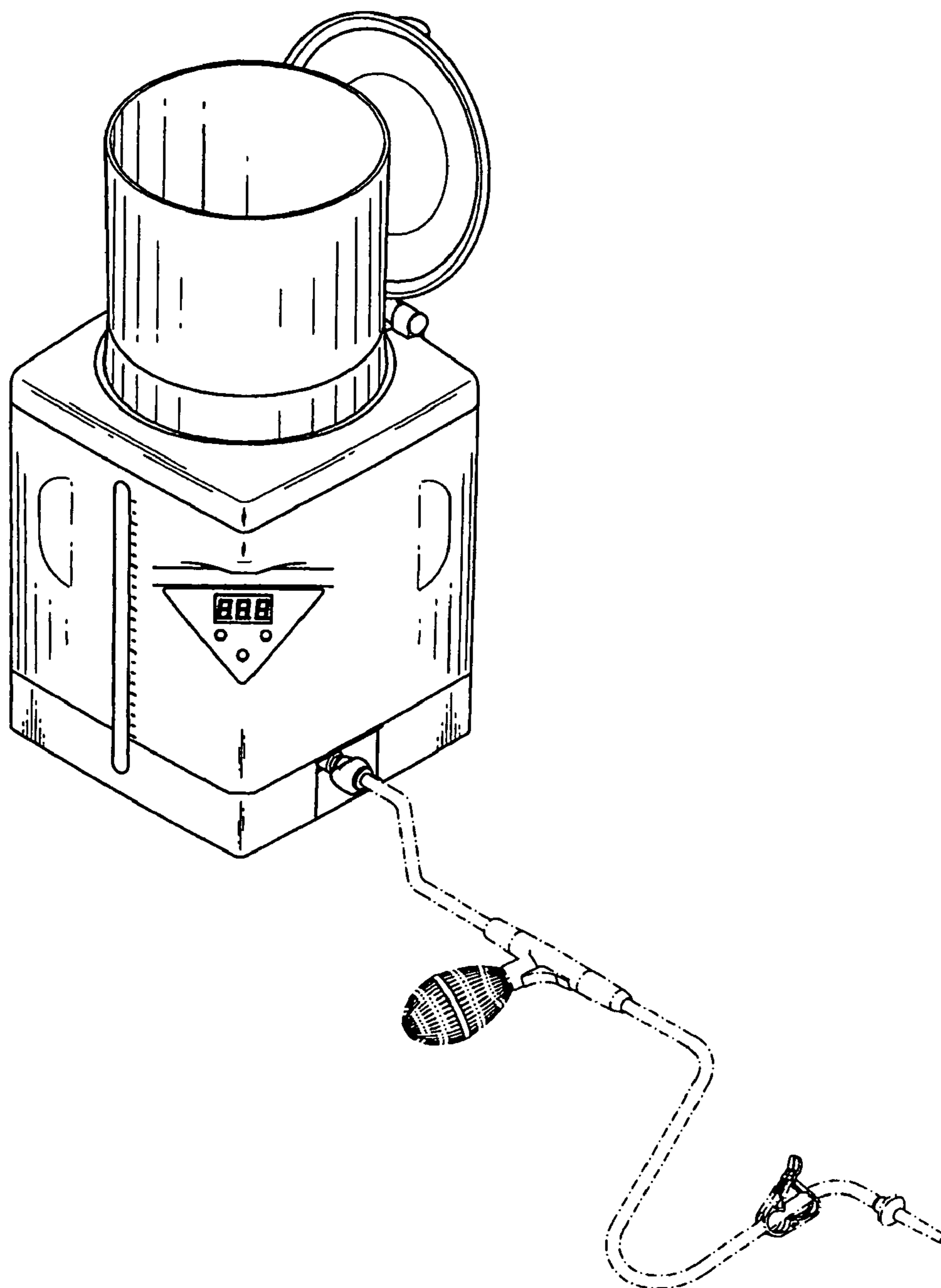


FIG. 11

