



US00D555852S

(12) **United States Design Patent**
Shin et al.

(10) **Patent No.:** **US D555,852 S**

(45) **Date of Patent:** **** Nov. 20, 2007**

(54) **VACUUM CLEANER**

(75) Inventors: **Hyun Seon Shin**, Gunpo-si (KR); **Kyu Kwan Choi**, Seoul (KR)

(73) Assignee: **LG Electronics Inc.**, Seoul (KR)

(**) Term: **14 Years**

(21) Appl. No.: **29/271,378**

(22) Filed: **Jan. 18, 2007**

(30) **Foreign Application Priority Data**

Jul. 20, 2006 (KR) 30-2006-0030616

(51) **LOC (8) Cl.** **15-05**

(52) **U.S. Cl.** **D32/21**

(58) **Field of Classification Search** D32/21,
D32/23-24, 31; 15/257.01, 301, 315, 319-321,
15/323, 327.1-327.7, 329, 336, 347, 352-353,
15/412; 55/337, 429, 345; 95/271; 210/512.1,
210/512.2; 701/23

See application file for complete search history.

(56) **References Cited**

U.S. PATENT DOCUMENTS

D445,226 S * 7/2001 Jupp D32/21

D448,128 S * 9/2001 Oh D32/21
D505,761 S * 5/2005 Gammack et al. D32/21
D518,611 S * 4/2006 Hare D32/21
D533,693 S * 12/2006 Lee D32/21
7,210,192 B2 * 5/2007 Ito et al. 15/327.7

* cited by examiner

Primary Examiner—Ruth McInroy

(74) *Attorney, Agent, or Firm*—Birch, Stewart, Kolasch & Birch, LLP

(57) **CLAIM**

The ornamental design for a vacuum cleaner, as shown.

DESCRIPTION

FIG. 1 is a front, right perspective view of the vacuum cleaner showing our new design;

FIG. 2 is a front view thereof;

FIG. 3 is a rear view thereof;

FIG. 4 is a left side view thereof;

FIG. 5 is a right side view thereof;

FIG. 6 is a top plan view thereof; and,

FIG. 7 is a bottom plan view thereof.

1 Claim, 4 Drawing Sheets

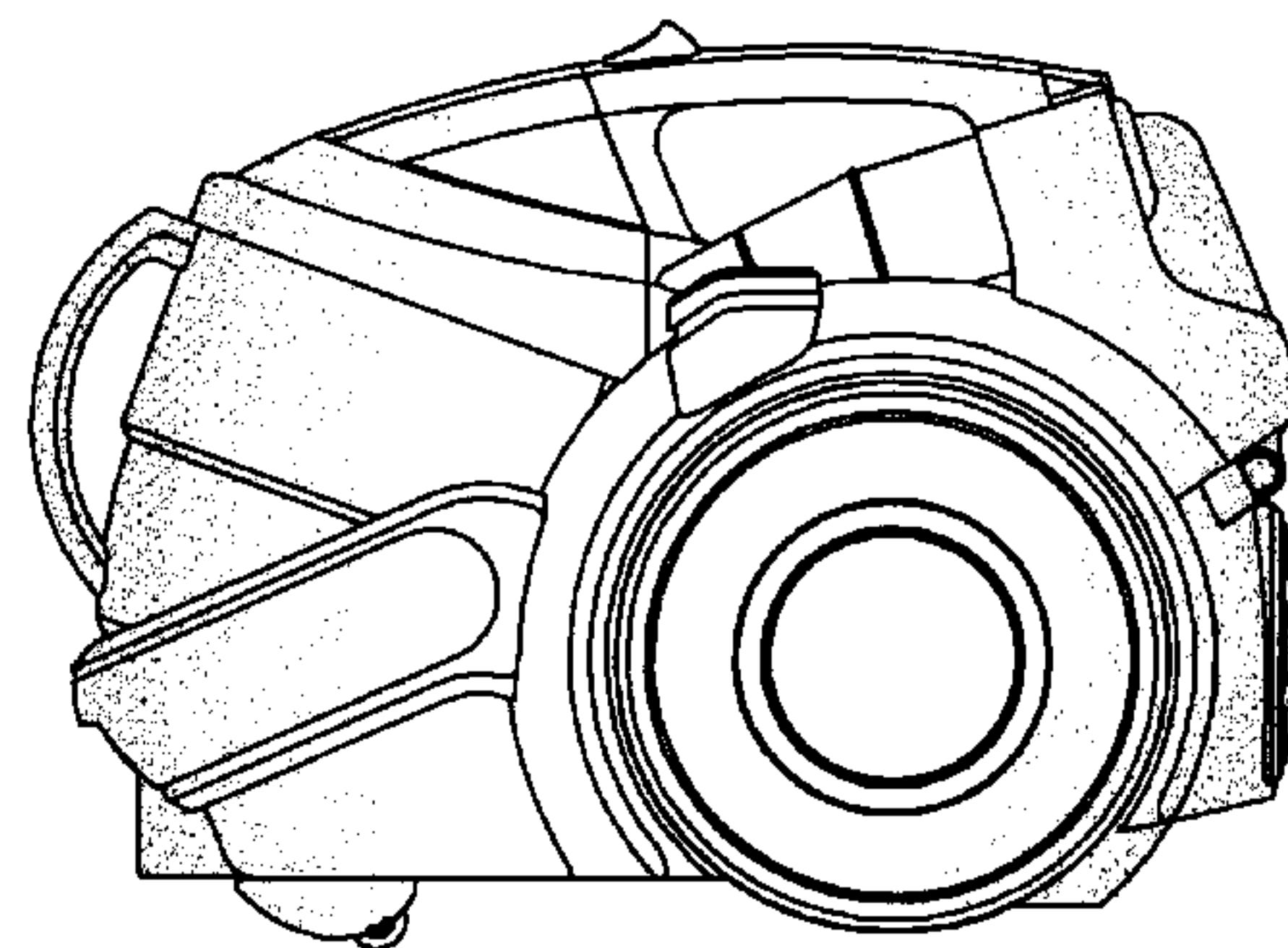
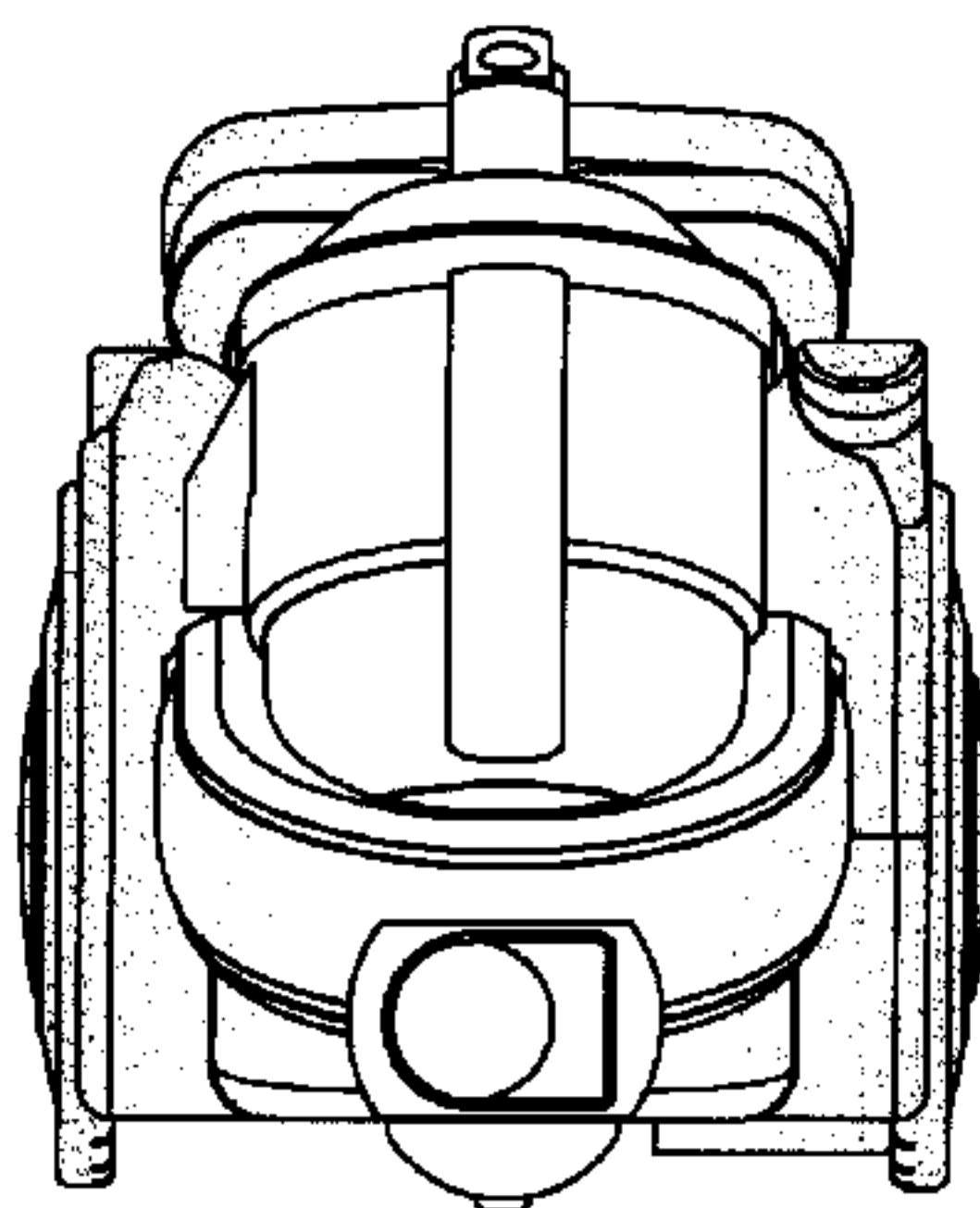
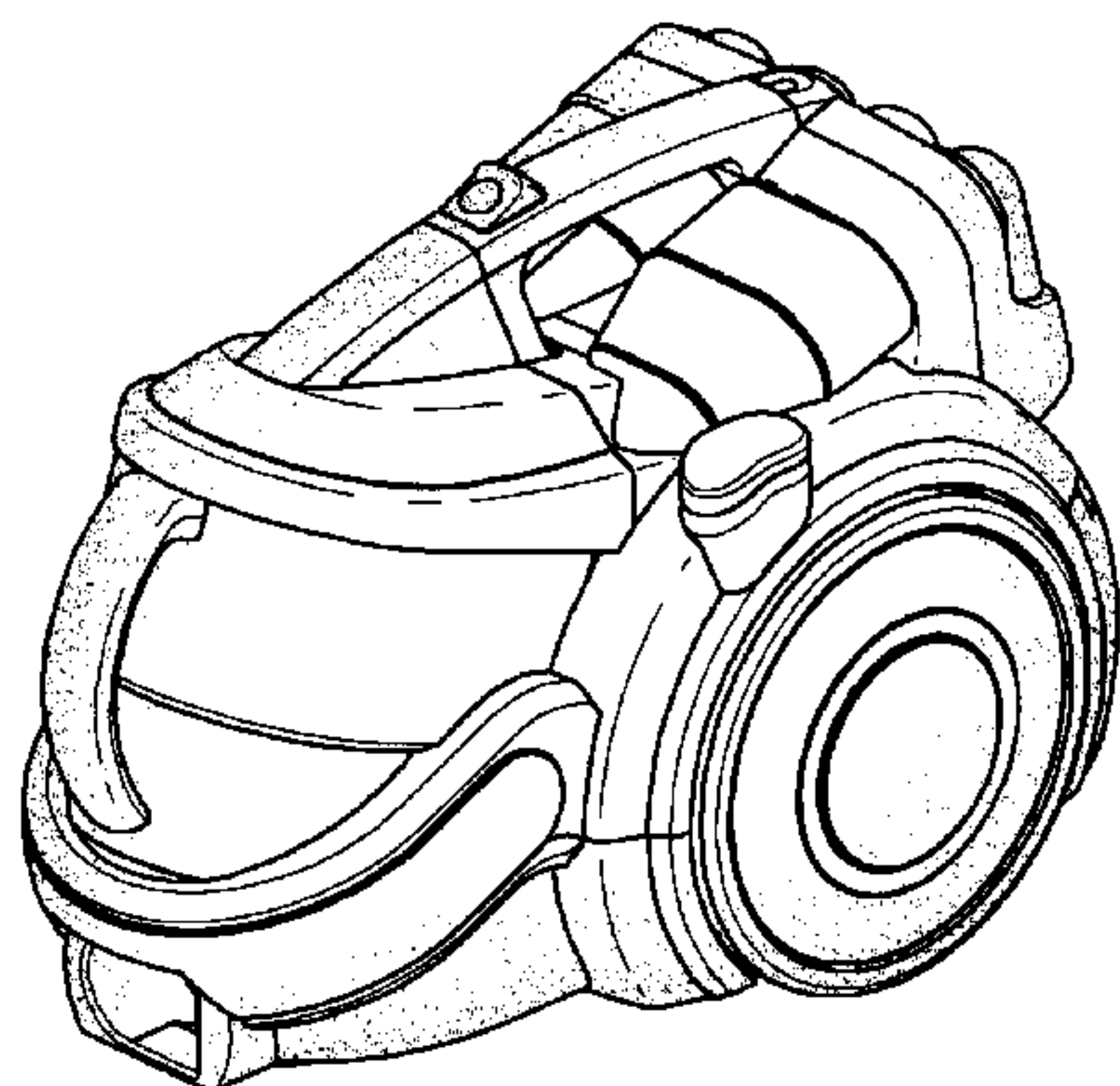


Fig. 1

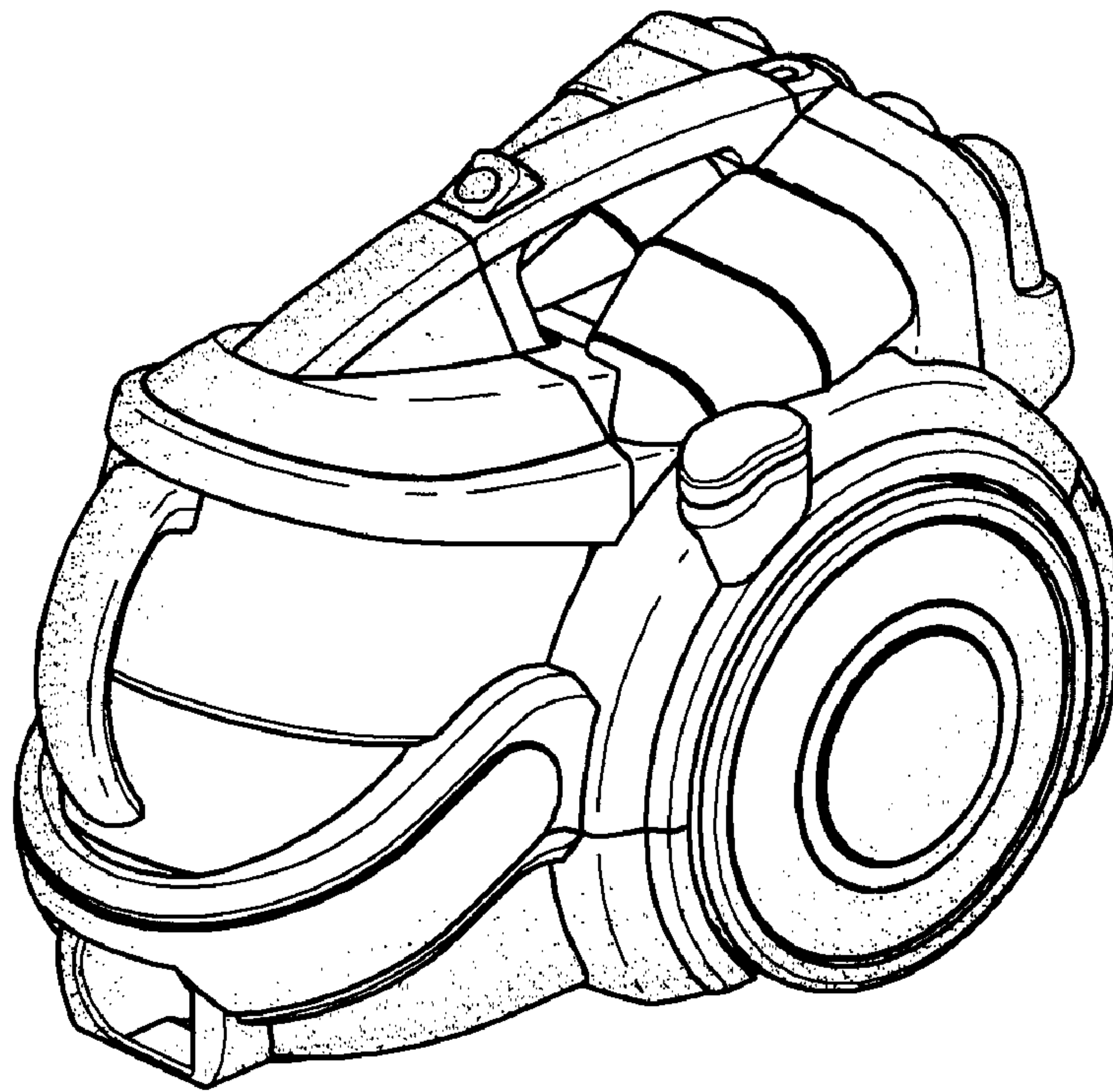


Fig. 2

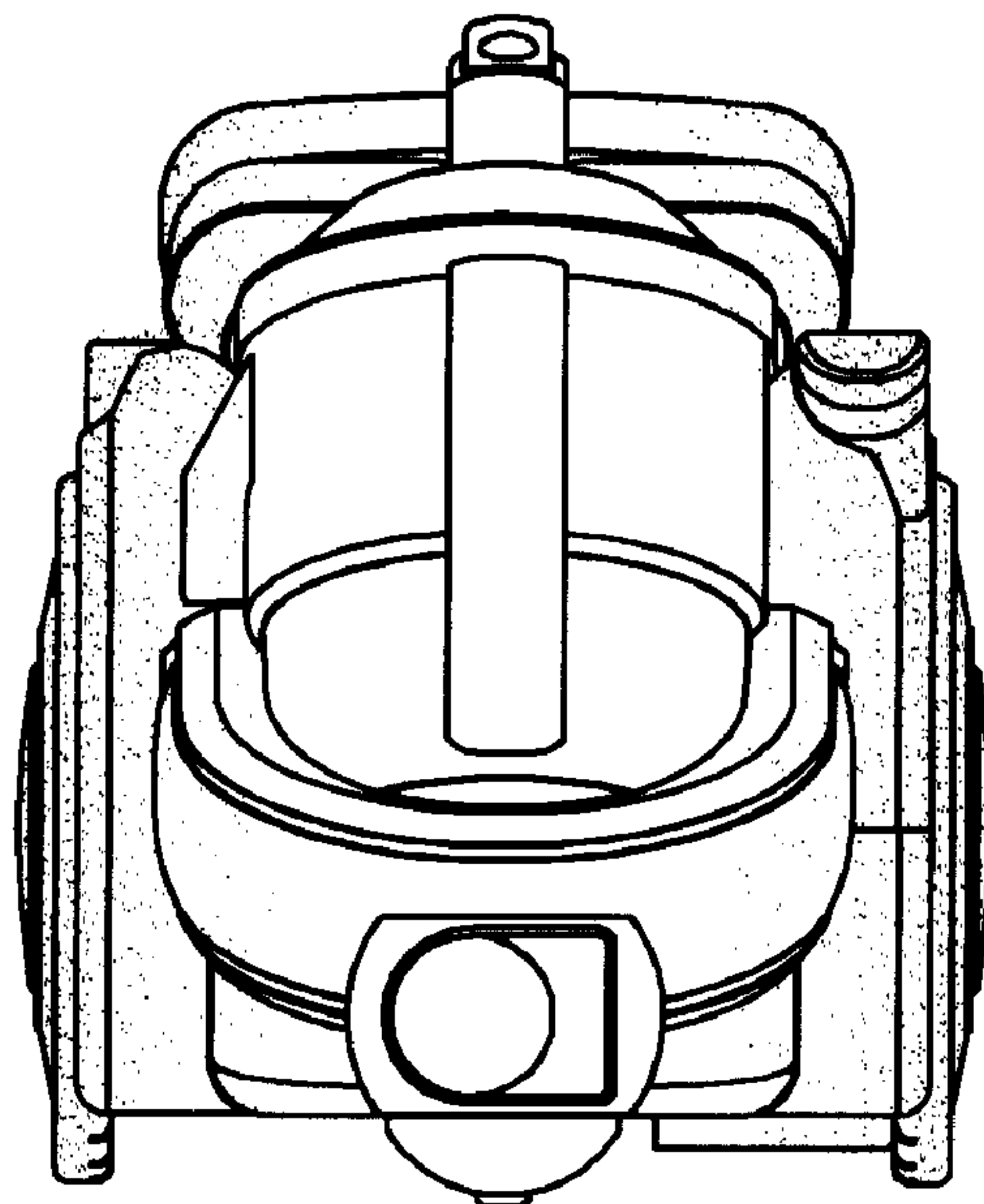


Fig. 3

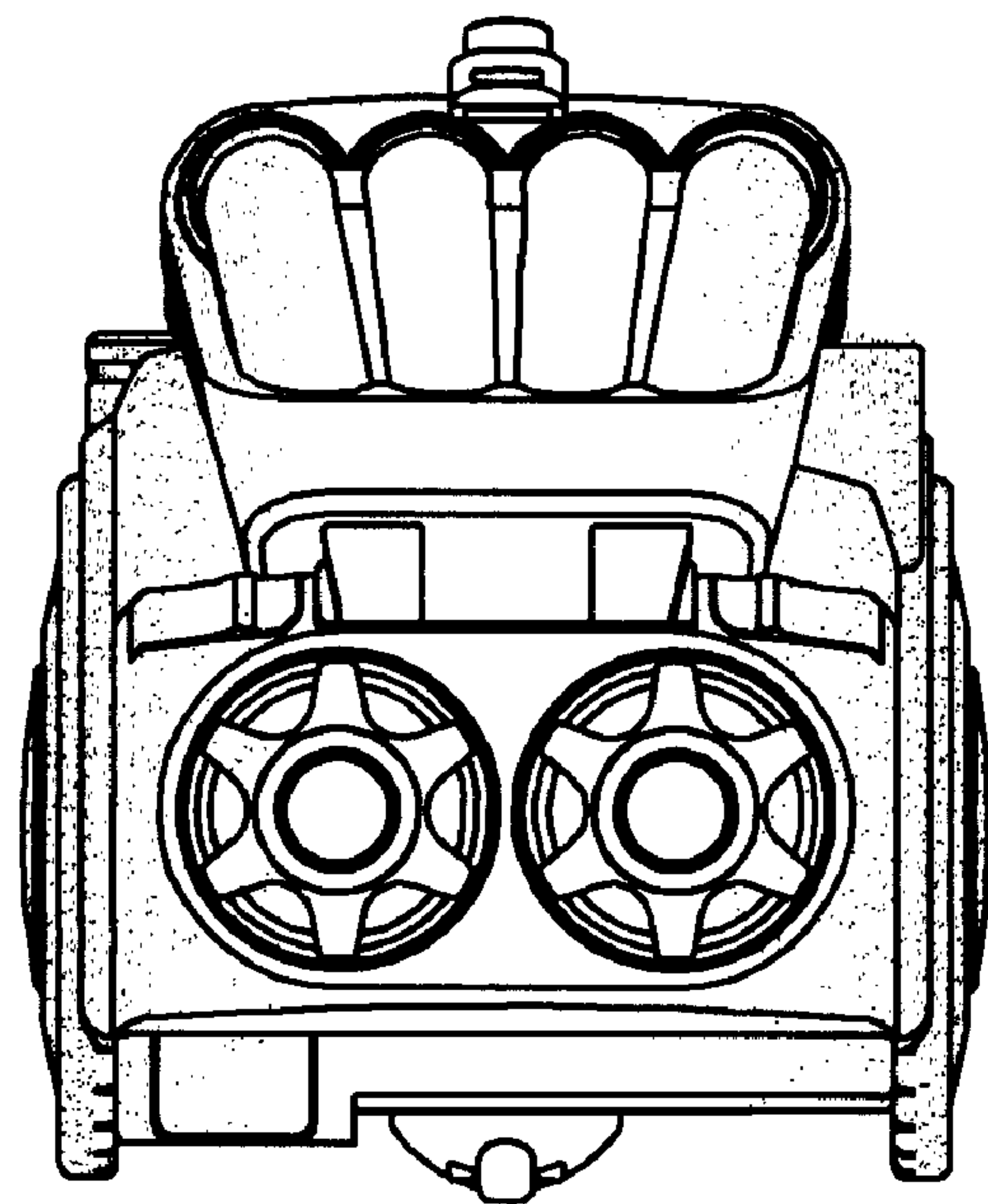


Fig. 4

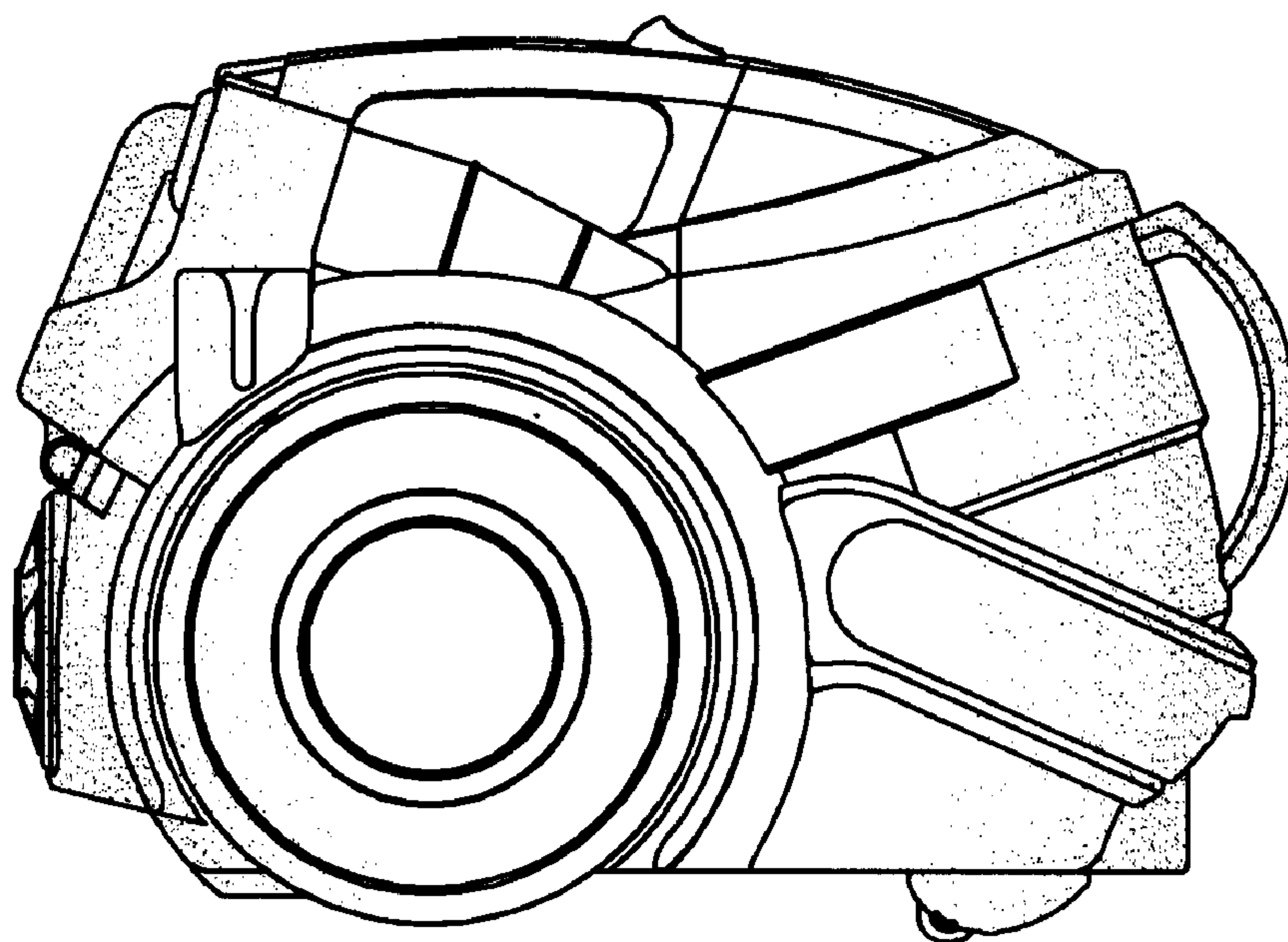


Fig. 5

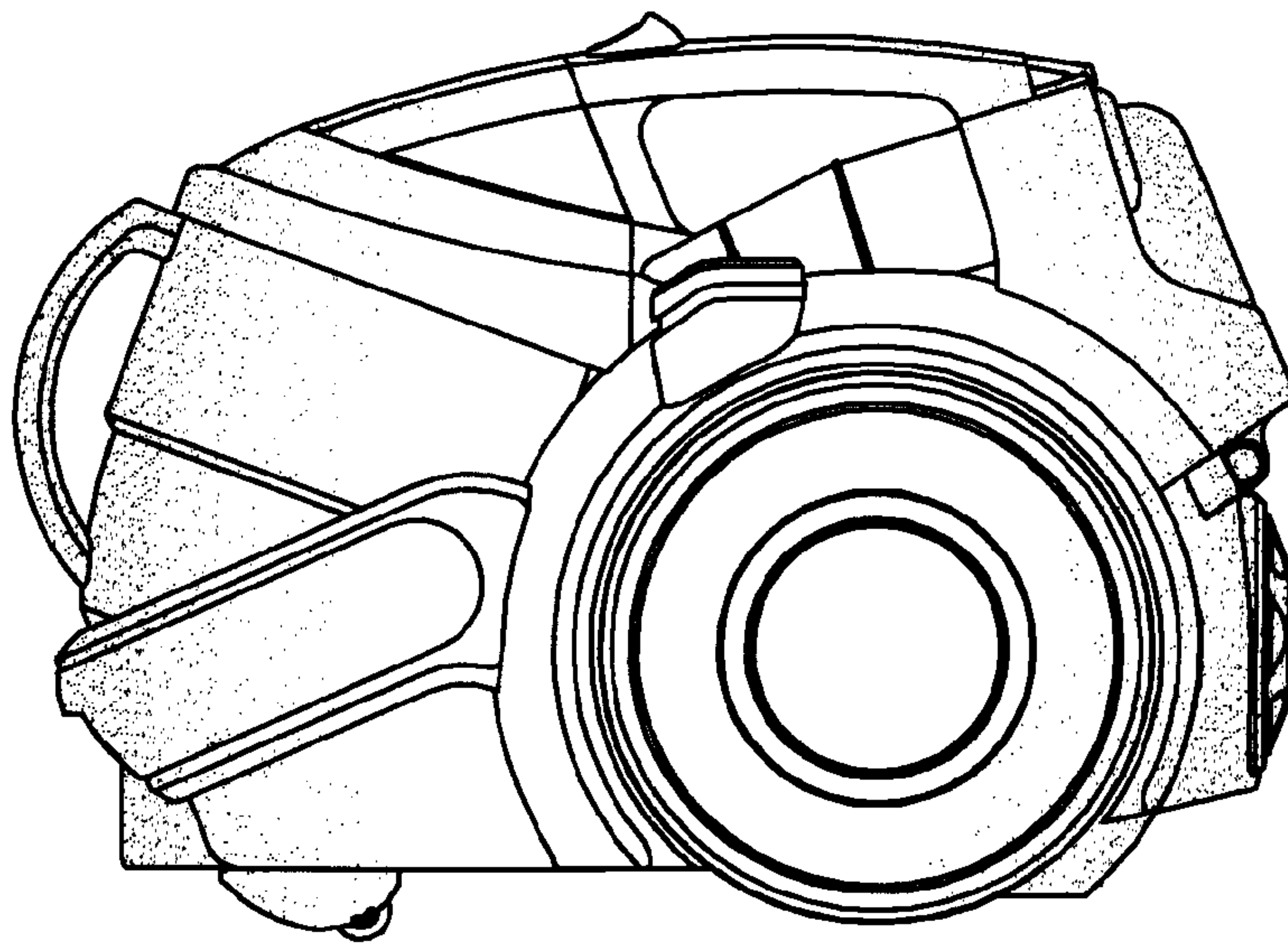


Fig. 6

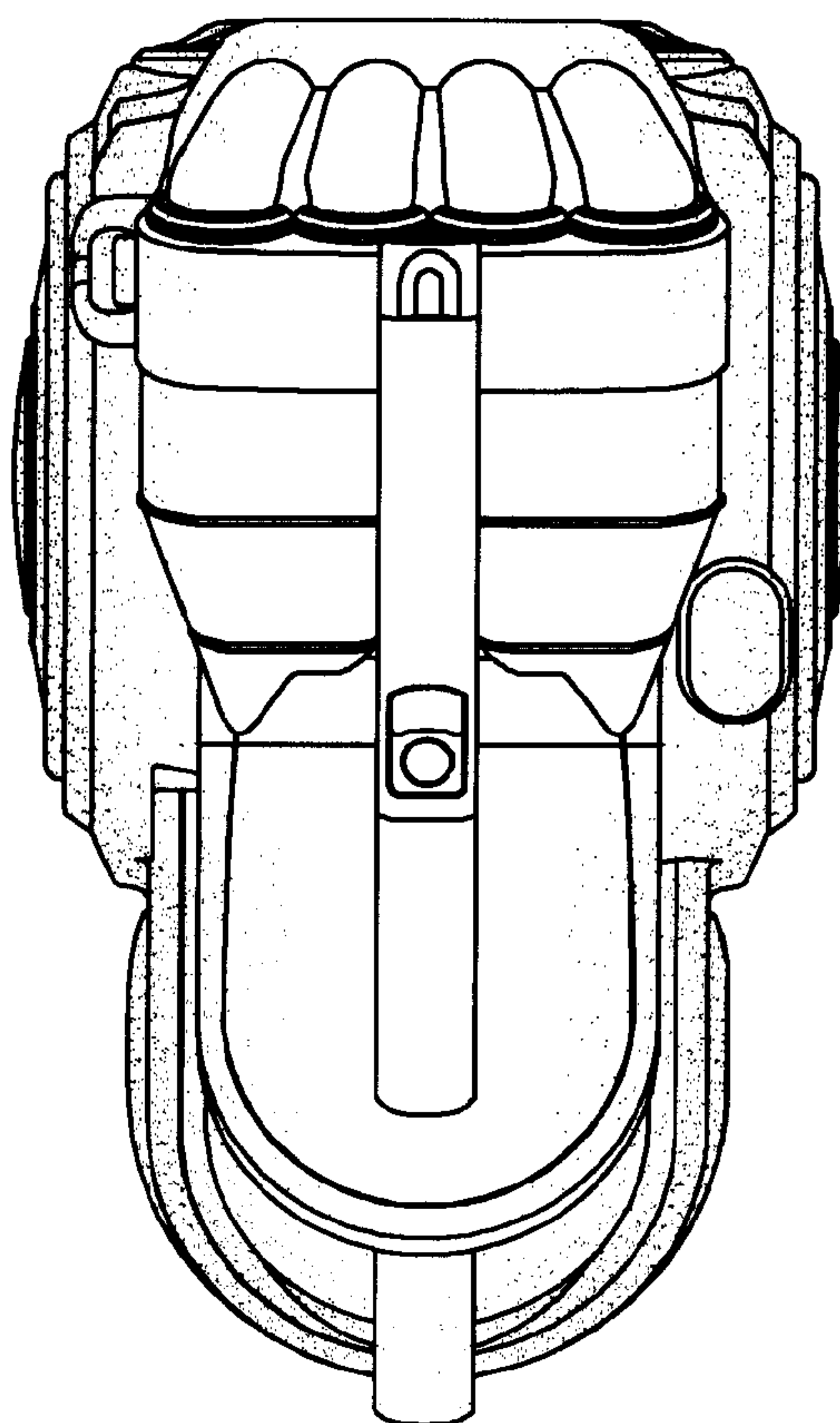


Fig. 7

