



US00D555851S

(12) **United States Design Patent**  
**Shin et al.**

(10) **Patent No.:** **US D555,851 S**

(45) **Date of Patent:** **\*\* Nov. 20, 2007**

(54) **VACUUM CLEANER**

(75) Inventors: **Hyun Seon Shin**, Gunpo-si (KR); **Kyu Kwan Choi**, Seoul (KR)

(73) Assignee: **LG Electronics Inc.**, Seoul (KR)

(\*\*) Term: **14 Years**

(21) Appl. No.: **29/271,376**

(22) Filed: **Jan. 18, 2007**

(30) **Foreign Application Priority Data**

Jul. 20, 2006 (KR) ..... 30-2006-0030615

(51) **LOC (8) Cl.** ..... **15-05**

(52) **U.S. Cl.** ..... **D32/21**

(58) **Field of Classification Search** ..... D32/21,  
D32/23-24, 31; 15/257.01, 301, 315, 319-321,  
15/323, 327.1-327.7, 329, 336, 347, 352-353,  
15/412; 55/337, 429, 345; 95/271; 210/512.1,  
210/512.2; 701/23

See application file for complete search history.

(56) **References Cited**

**U.S. PATENT DOCUMENTS**

D445,226 S \* 7/2001 Jupp ..... D32/21

D448,128 S \* 9/2001 Oh ..... D32/21  
D505,761 S \* 5/2005 Gammack et al. .... D32/21  
D518,611 S \* 4/2006 Hare ..... D32/21  
D533,693 S \* 12/2006 Lee ..... D32/21  
7,210,192 B2 \* 5/2007 Ito et al. .... 15/327.7

\* cited by examiner

*Primary Examiner*—Ruth McInroy

(74) *Attorney, Agent, or Firm*—Birch, Stewart, Kolasch & Birch, LLP

(57) **CLAIM**

The ornamental design for a vacuum cleaner, as shown.

**DESCRIPTION**

FIG. 1 is a front, right perspective view of the vacuum cleaner showing our new design;

FIG. 2 is a front view thereof;

FIG. 3 is a rear view thereof;

FIG. 4 is a left side view thereof;

FIG. 5 is a right side view thereof;

FIG. 6 is a top plan view thereof; and,

FIG. 7 is a bottom plan view thereof.

**1 Claim, 4 Drawing Sheets**

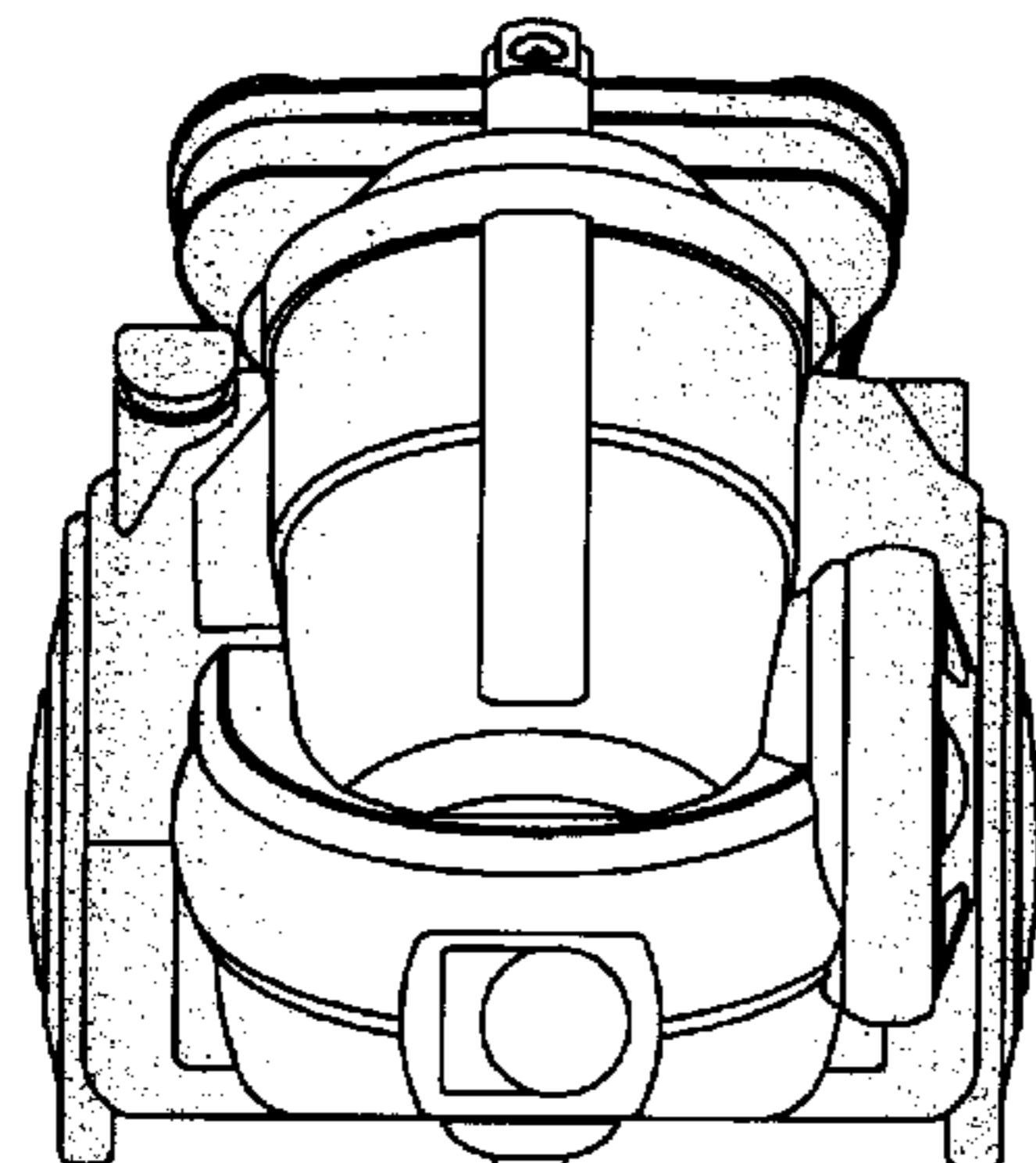
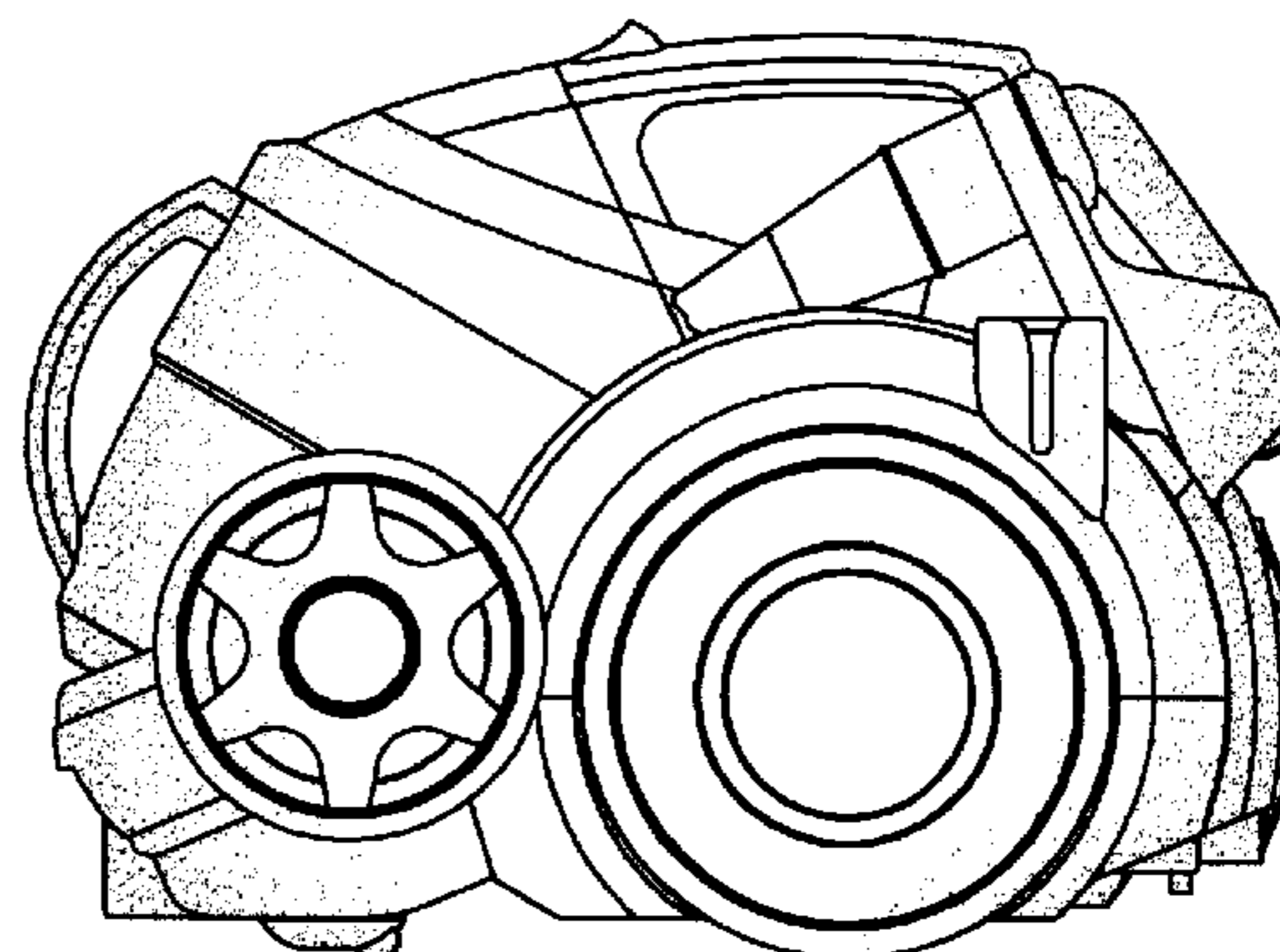
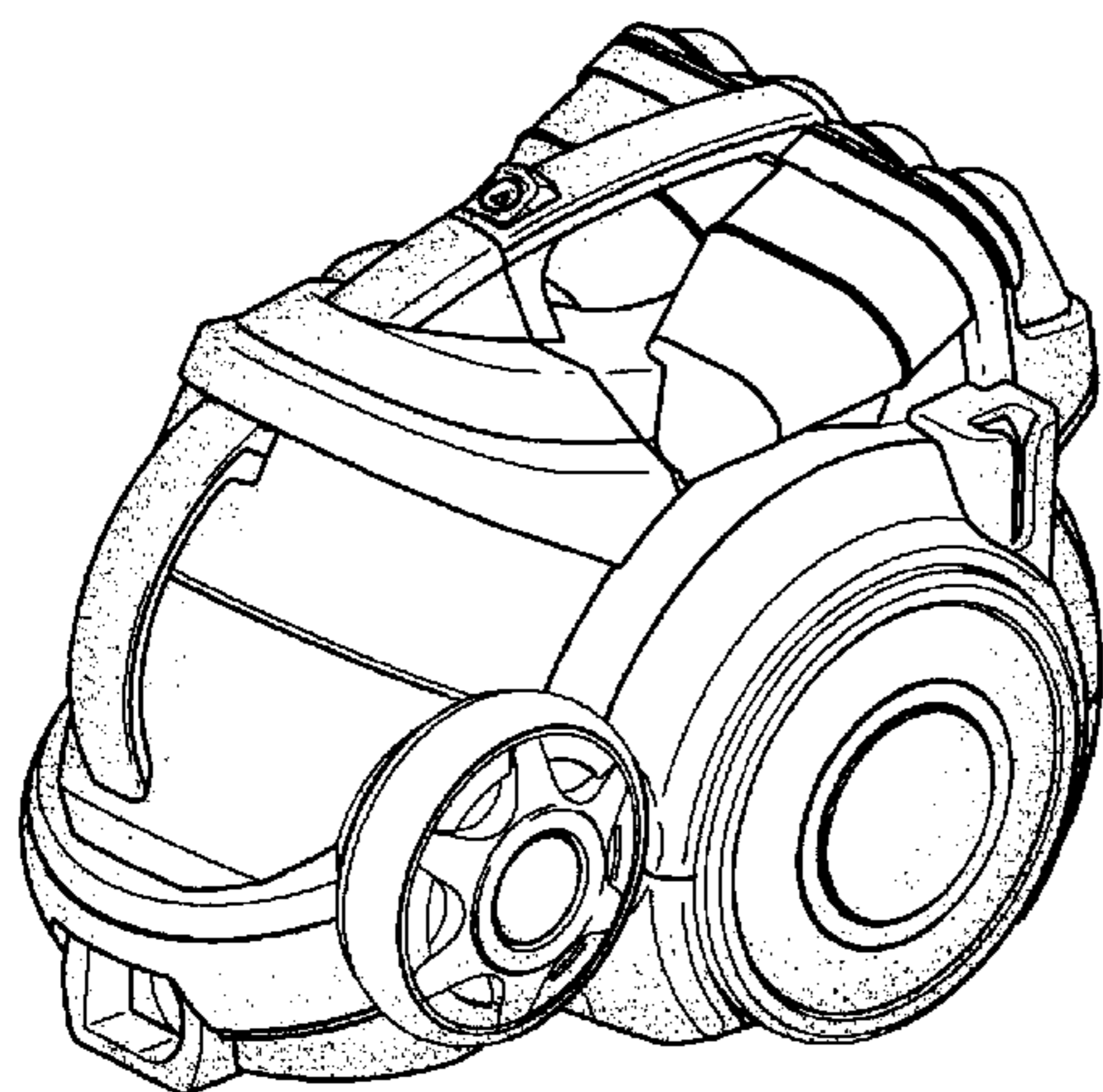


Fig. 1

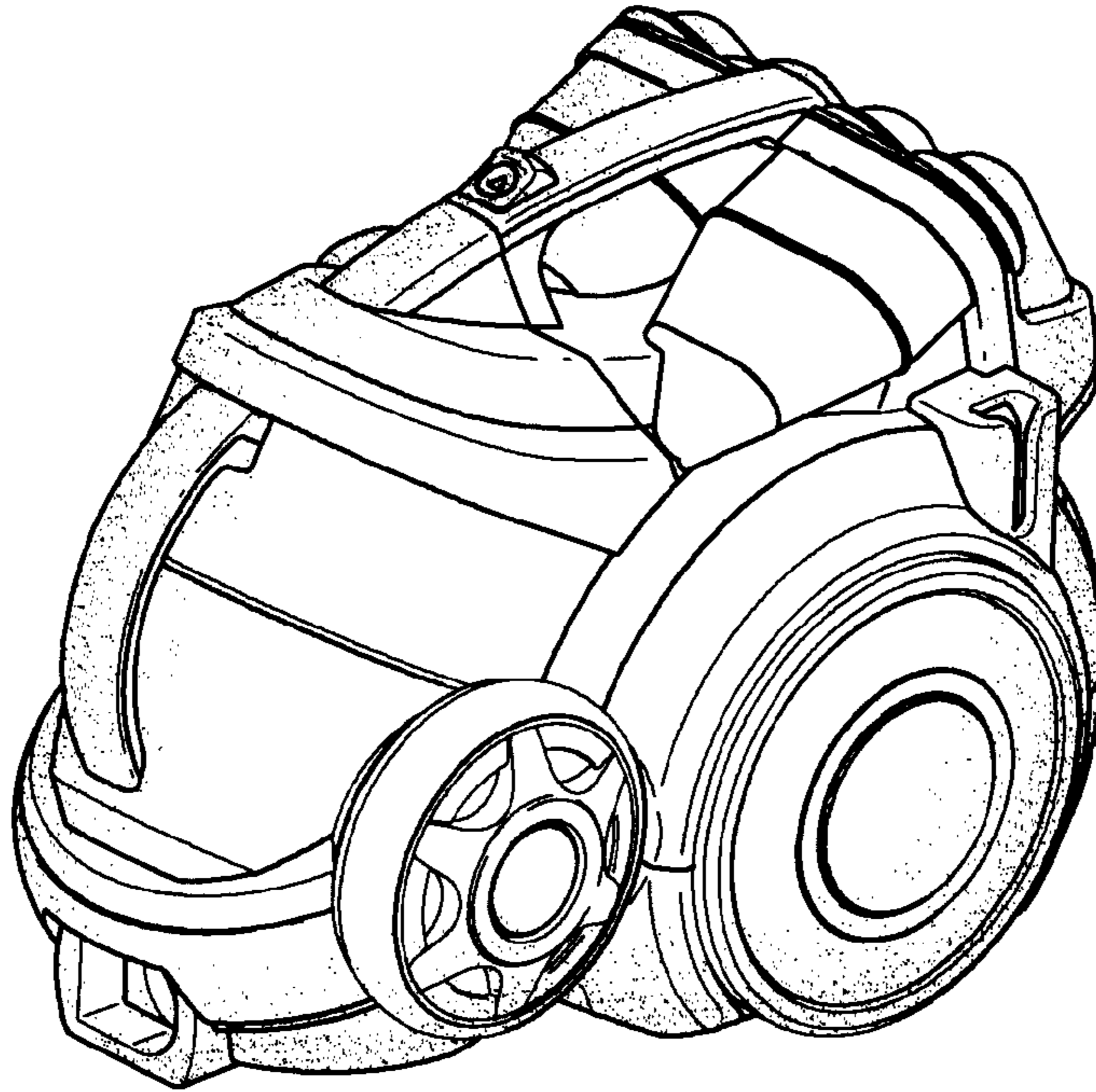


Fig. 2

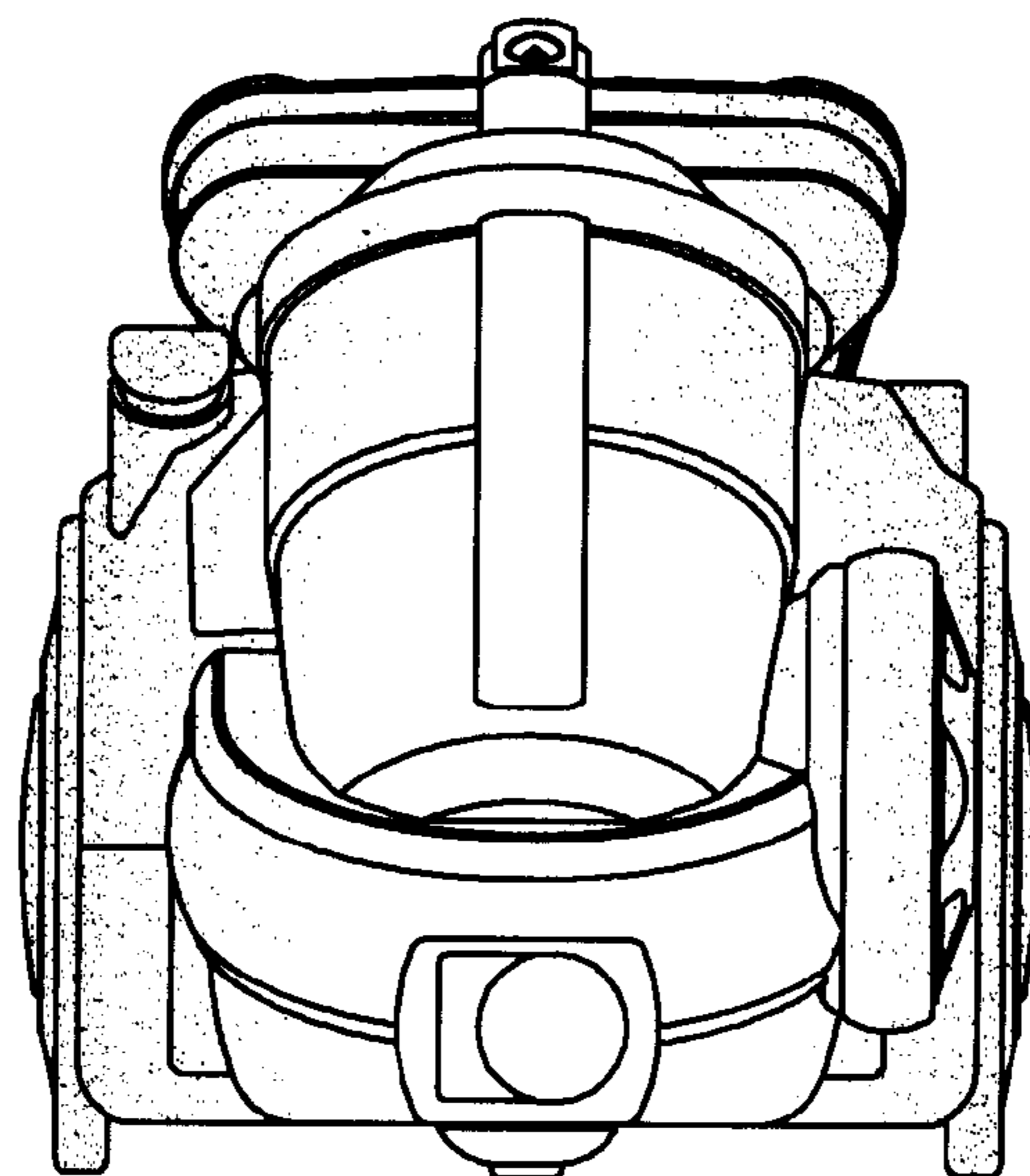


Fig. 3

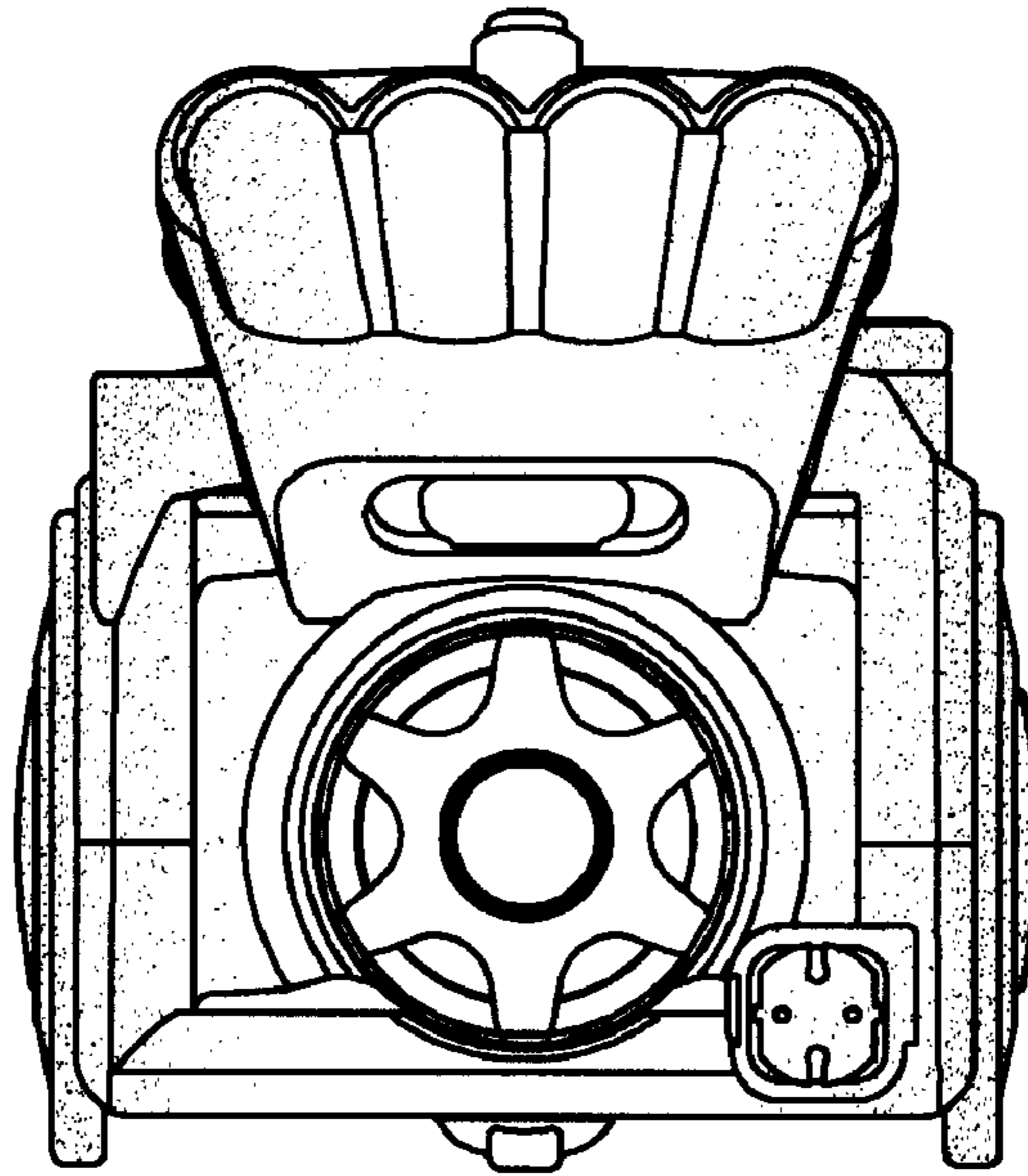


Fig. 4

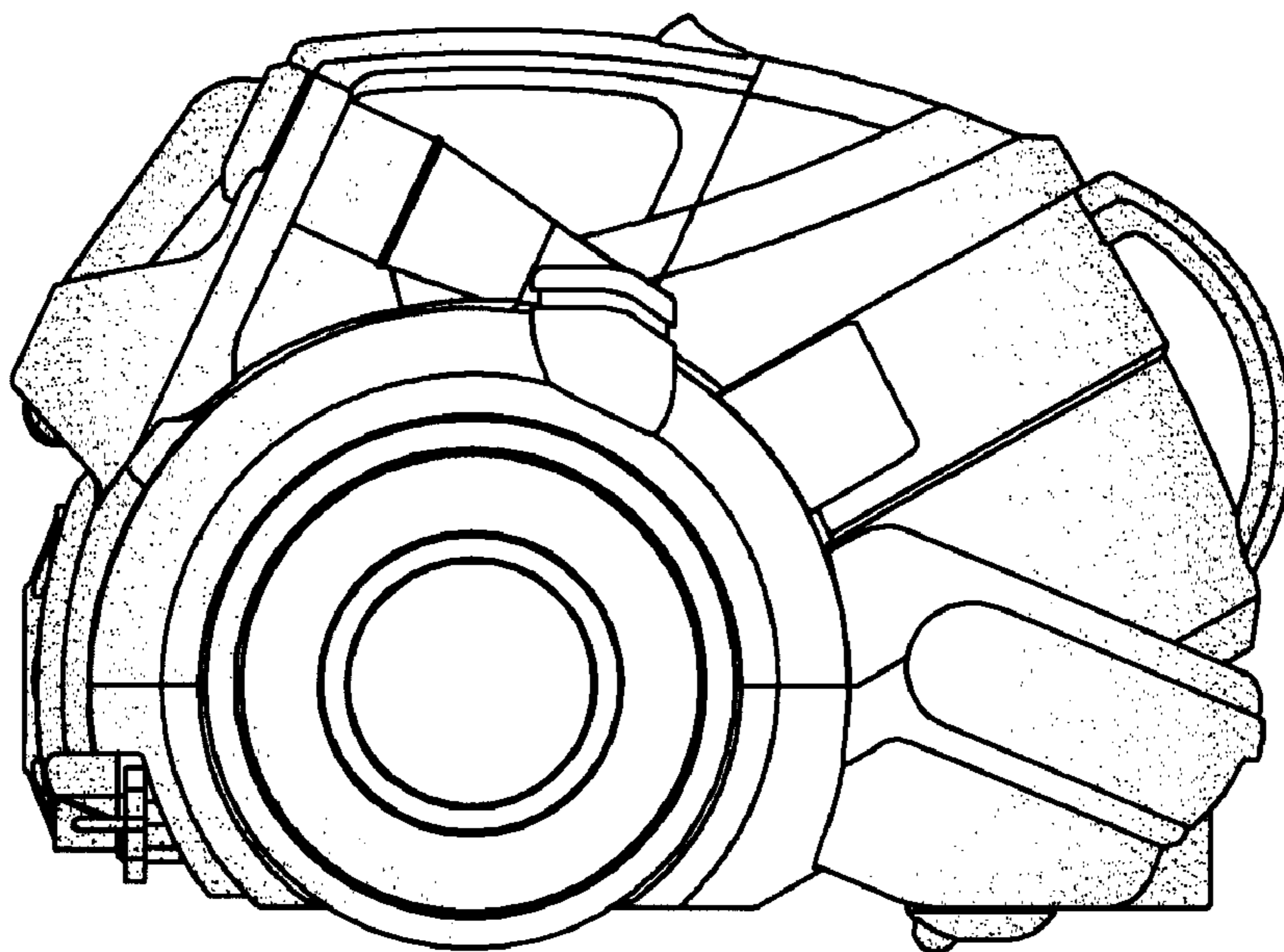




Fig. 5

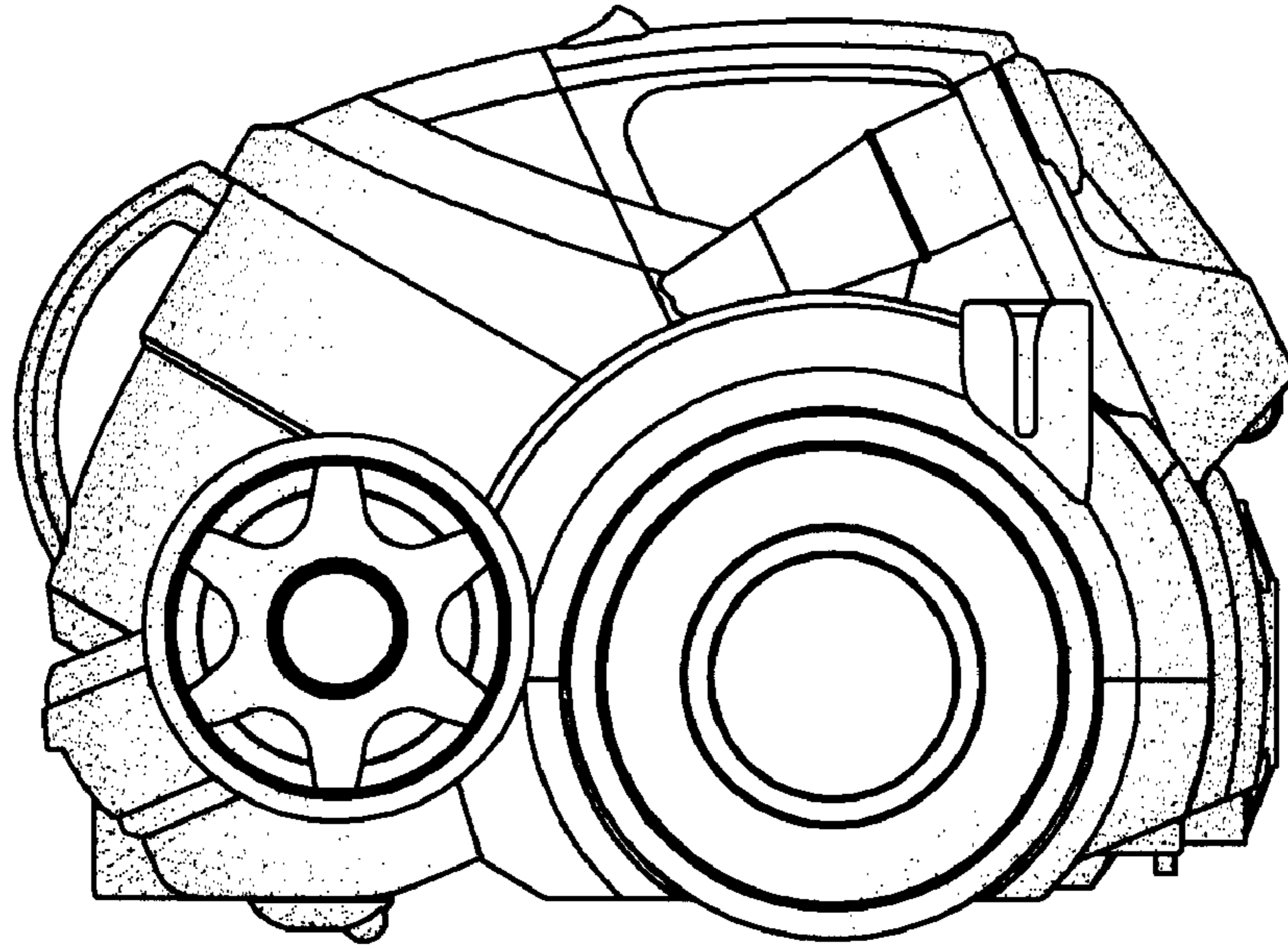
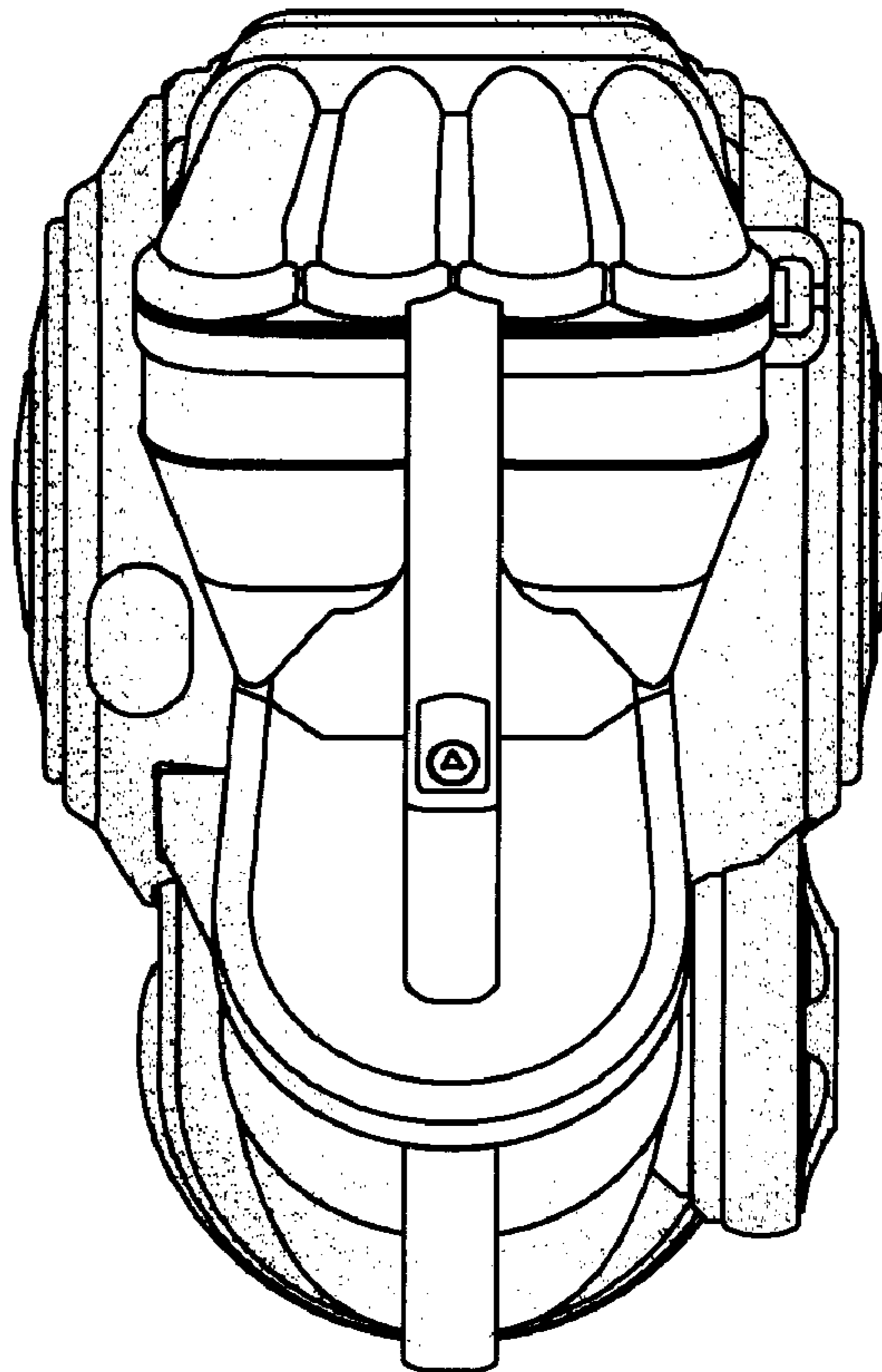


Fig. 6



**Fig. 7**

