



US00D555850S

(12) **United States Design Patent**
Houghton

(10) **Patent No.:** **US D555,850 S**

(45) **Date of Patent:** **** Nov. 20, 2007**

(54) **VACUUM CLEANER**

(75) **Inventor:** **Stephen Houghton**, High West
Jesmond (GB)

(73) **Assignee:** **Black & Decker Inc.**, Newark, DE
(US)

(**) **Term:** **14 Years**

(21) **Appl. No.:** **29/263,246**

(22) **Filed:** **Jul. 19, 2006**

(30) **Foreign Application Priority Data**

Feb. 6, 2006 (EM) 000474705

(51) **LOC (8) Cl.** **15-05**

(52) **U.S. Cl.** **D32/21**

(58) **Field of Classification Search** D32/21-24,
D32/31; 15/257.01, 301, 315, 319-321,
15/323, 327.1-327.4, 327.6-327.7, 329,
15/336, 347, 352-353, 410-412, 414; 55/337,
55/429, 345; 95/271; 210/512.1, 512.2;
211/87.01, 13.1; 245/700

See application file for complete search history.

(56) **References Cited**

U.S. PATENT DOCUMENTS

D368,993 S * 4/1996 Stutzer et al. D32/21

D463,077 S * 9/2002 Kim D32/21

D499,219 S * 11/2004 Collins D32/21

D518,254 S * 3/2006 Stratford et al. D32/21

D543,668 S * 5/2007 Burnham et al. D32/21

* cited by examiner

Primary Examiner—Ruth McInroy

(74) *Attorney, Agent, or Firm*—John Yun; Bruce S. Shapiro;
Wesley Muller

(57) **CLAIM**

The ornamental design for a vacuum cleaner, as shown and
described.

DESCRIPTION

FIG. 1 is a front view of a vacuum cleaner showing my new
design;

FIG. 2 is a rear view thereof;

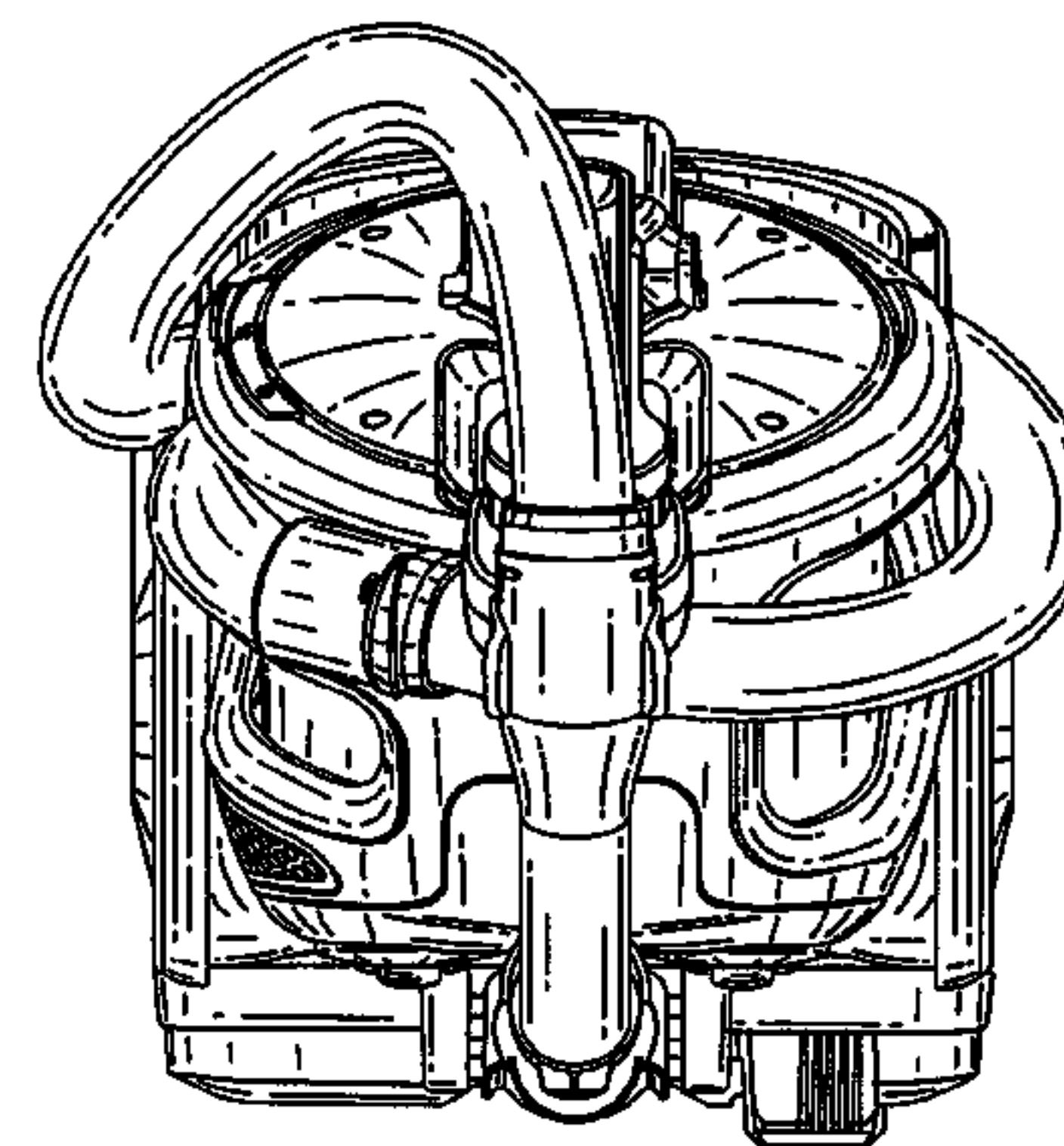
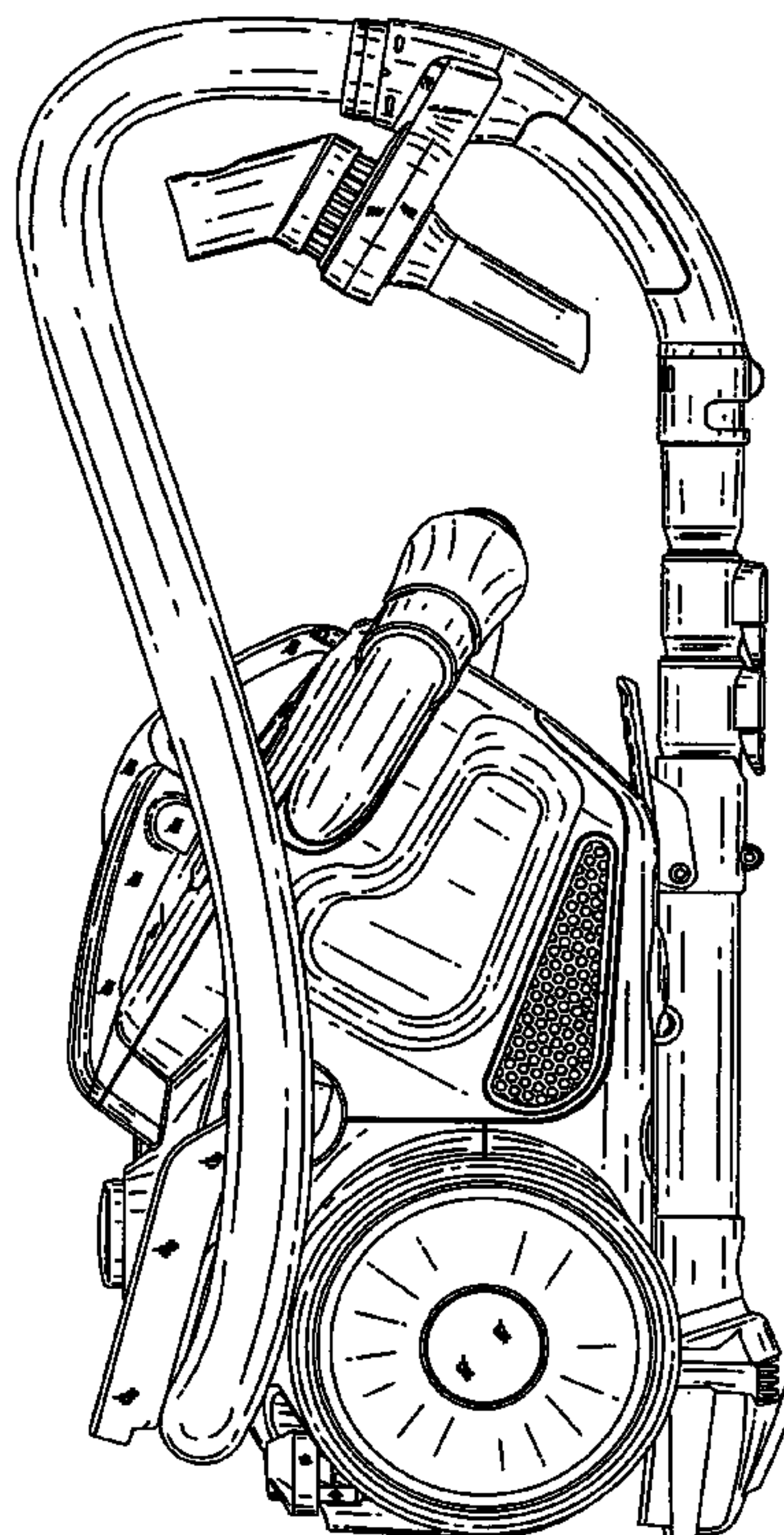
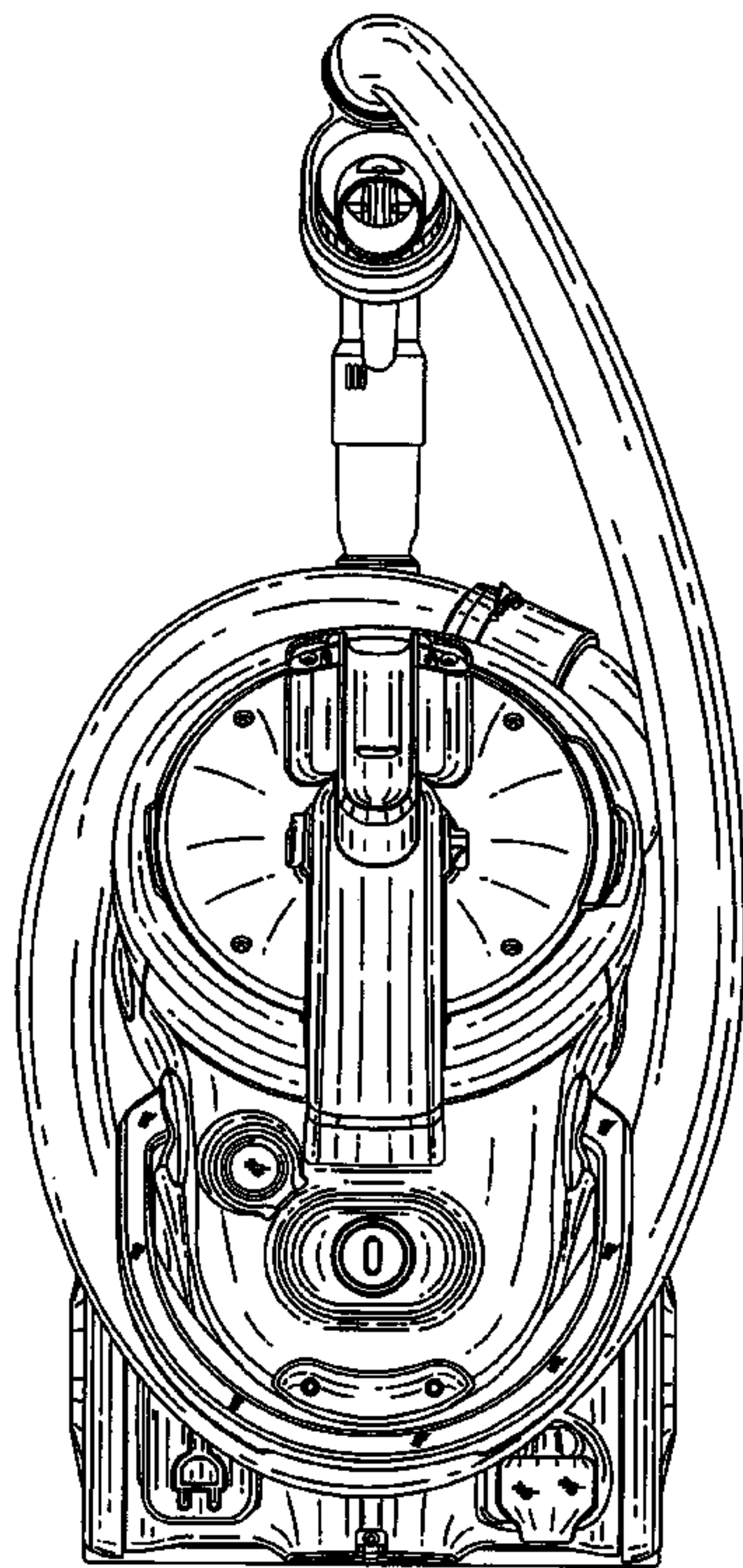
FIG. 3 is a right side view thereof;

FIG. 4 is a left side view thereof;

FIG. 5 is a top view thereof; and,

FIG. 6 is a bottom view thereof.

1 Claim, 6 Drawing Sheets



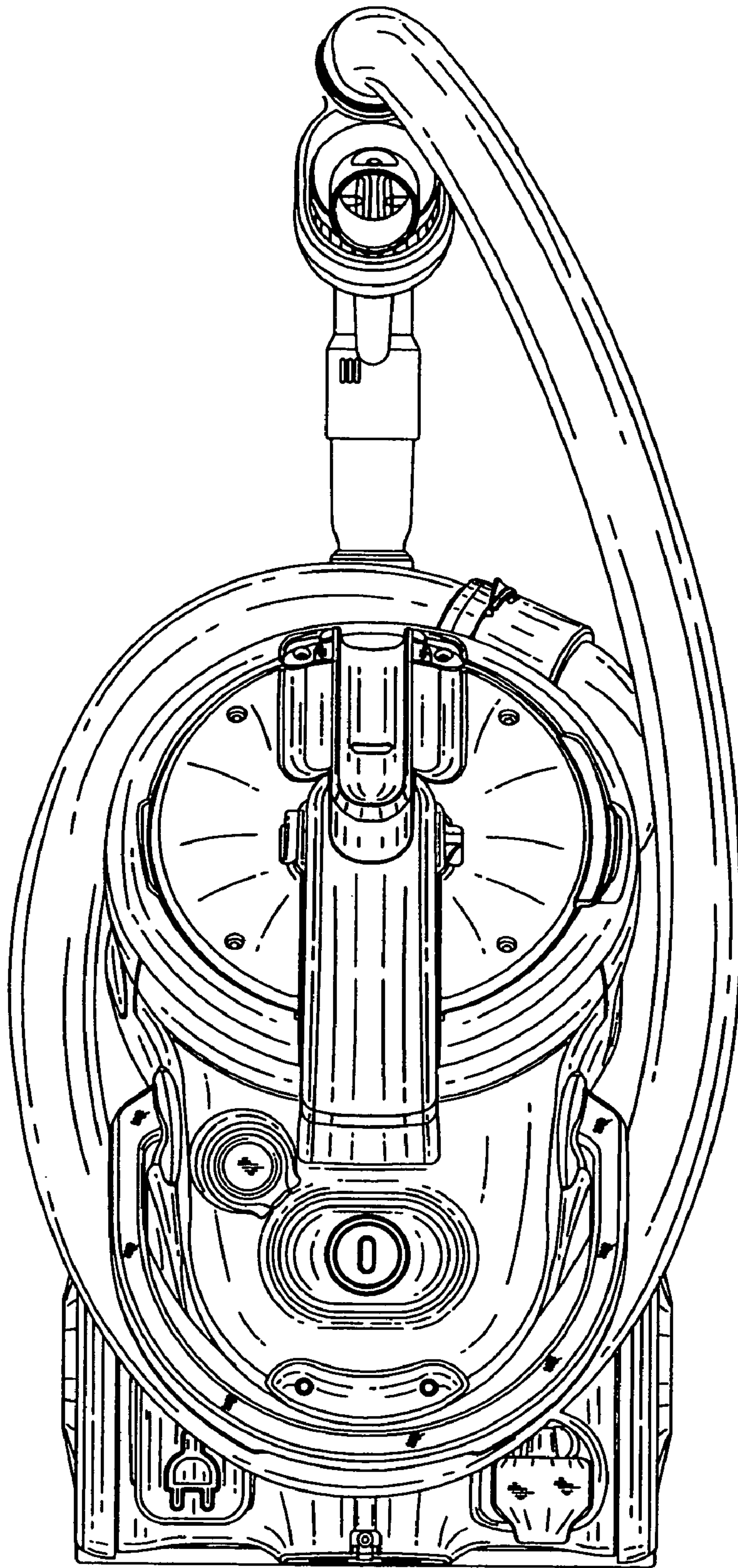


FIG.1

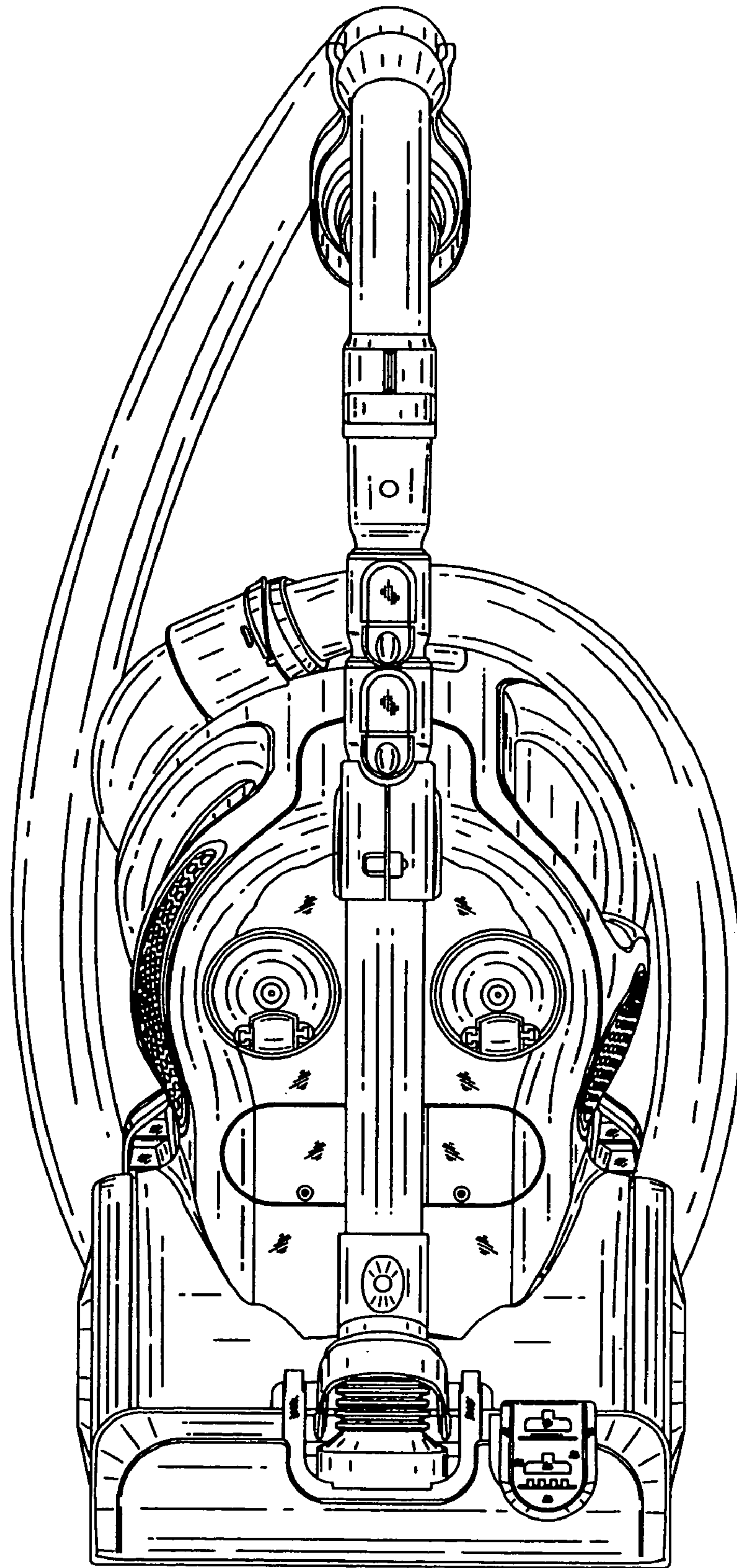


FIG.2

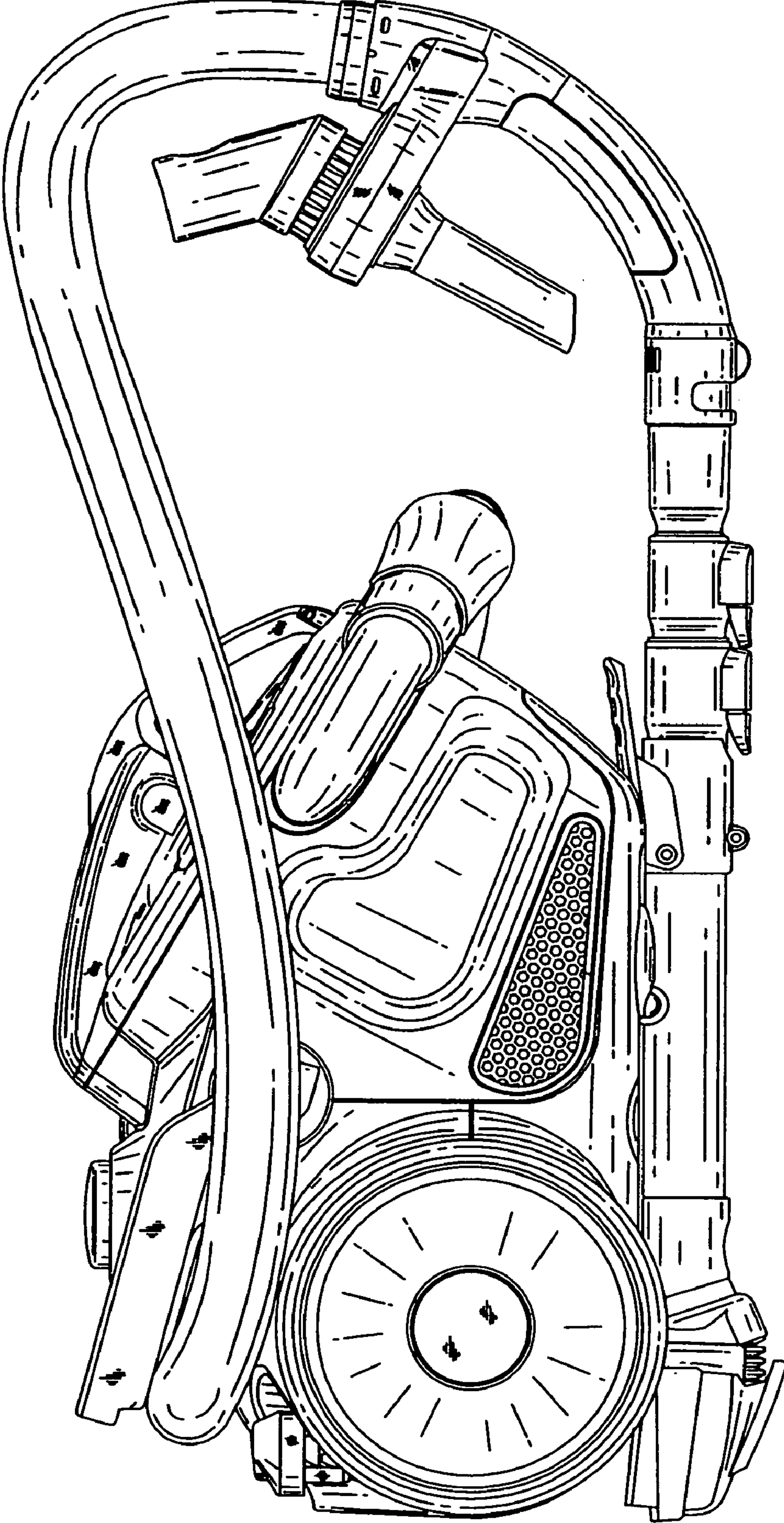


FIG.3

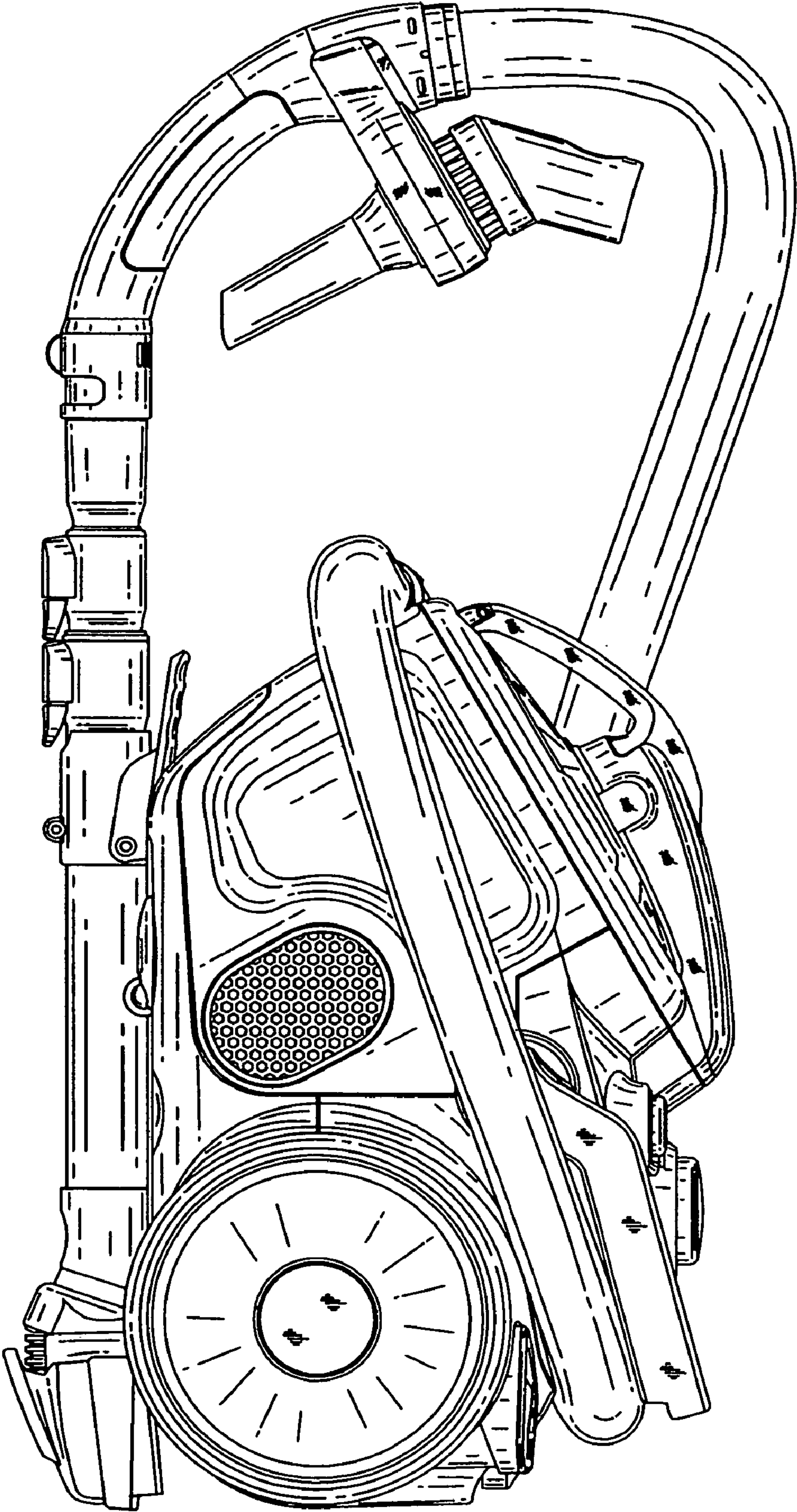


FIG.4

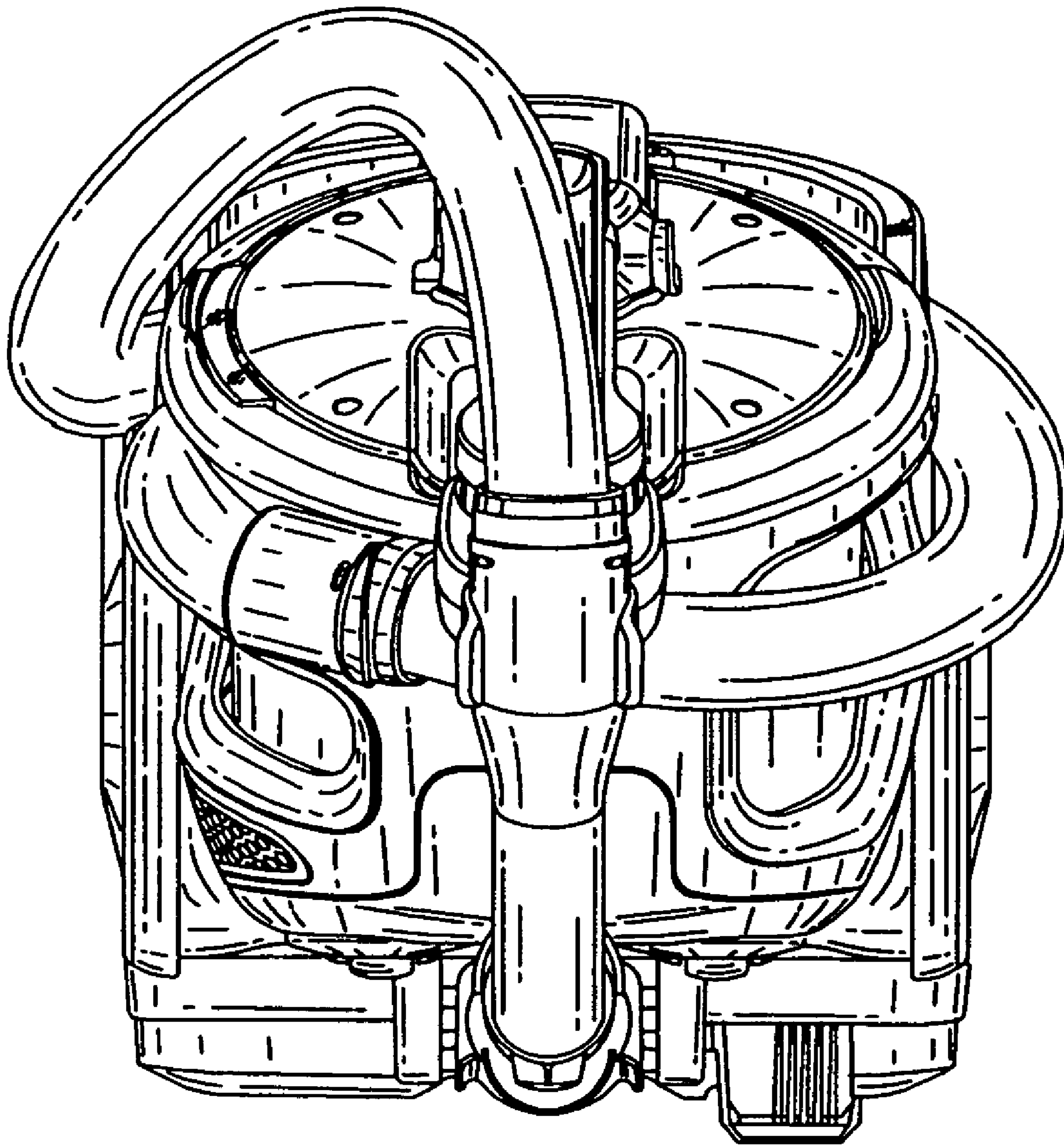


FIG.5

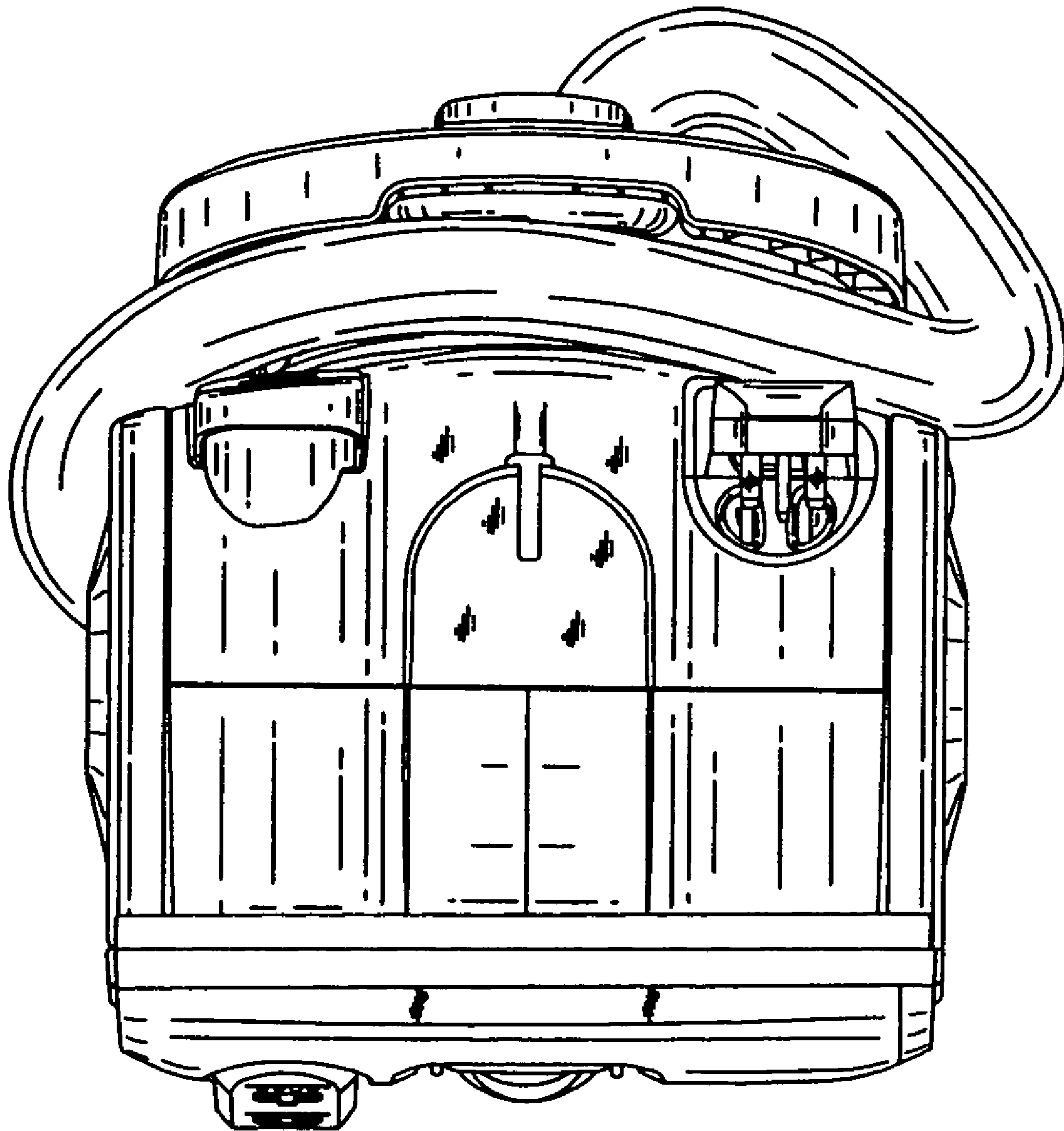


FIG.6