



US00D555849S

(12) **United States Design Patent**  
**Choi et al.**

(10) **Patent No.:** **US D555,849 S**

(45) **Date of Patent:** **\*\* Nov. 20, 2007**

(54) **VACUUM CLEANER**

(75) Inventors: **Kyu Kwan Choi**, Seoul (KR); **Hyun Seon Shin**, Gunpo-si (KR)

(73) Assignee: **LG Electronics Inc.**, Seoul (KR)

(\*\*) Term: **14 Years**

(21) Appl. No.: **29/261,875**

(22) Filed: **Jun. 22, 2006**

(30) **Foreign Application Priority Data**

May 16, 2006 (KR) ..... 30-2006-0018163

(51) **LOC (8) Cl.** ..... **15-05**

(52) **U.S. Cl.** ..... **D32/21**

(58) **Field of Classification Search** ..... D32/21,  
D32/23-24, 31; 15/257.01, 301, 315, 319-321,  
15/323, 327.1-327.7, 329, 336, 347, 352-353,  
15/412; 55/337, 429, 345; 95/271; 210/512.1,  
210/512.2; 701/23

See application file for complete search history.

(56) **References Cited**

**U.S. PATENT DOCUMENTS**

D445,226 S \* 7/2001 Jupp ..... D32/21

D448,128 S \* 9/2001 Oh ..... D32/21  
D505,761 S \* 5/2005 Gammack et al. .... D32/21  
D518,611 S \* 4/2006 Hare ..... D32/21  
D533,693 S \* 12/2006 Lee ..... D32/21  
7,210,192 B2 \* 5/2007 Ito et al. .... 15/327.7

\* cited by examiner

*Primary Examiner*—Ruth McInroy

(74) *Attorney, Agent, or Firm*—Birch, Stewart, Kolasch & Birch, LLP

(57) **CLAIM**

The ornamental design for a vacuum cleaner, as shown.

**DESCRIPTION**

FIG. 1 is a perspective view of the vacuum cleaner showing our new design;

FIG. 2 is a front side view thereof;

FIG. 3 is a rear side view thereof;

FIG. 4 is a left side view thereof;

FIG. 5 is a right side view thereof;

FIG. 6 is a top view thereof; and,

FIG. 7 is a bottom view thereof.

**1 Claim, 6 Drawing Sheets**

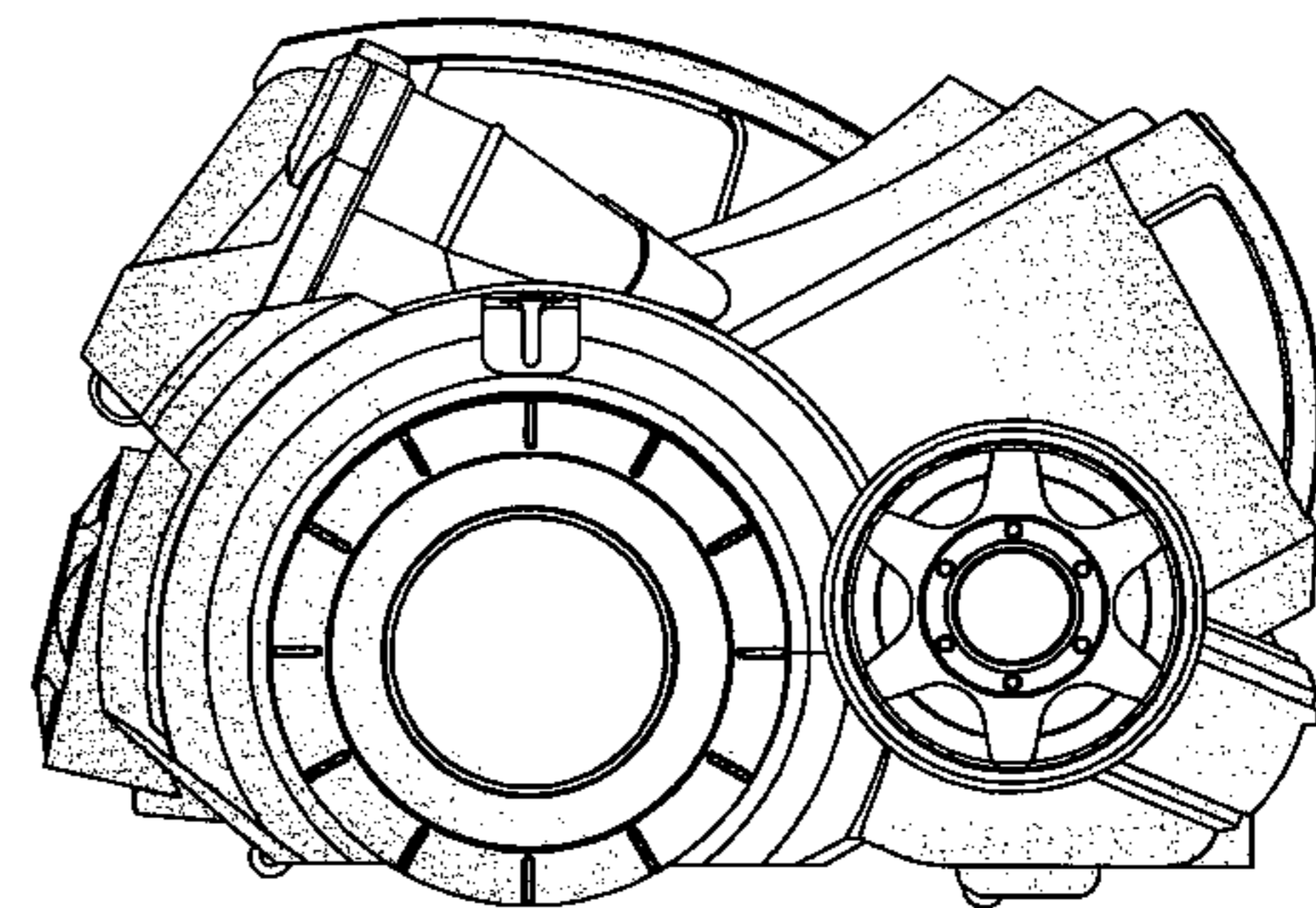
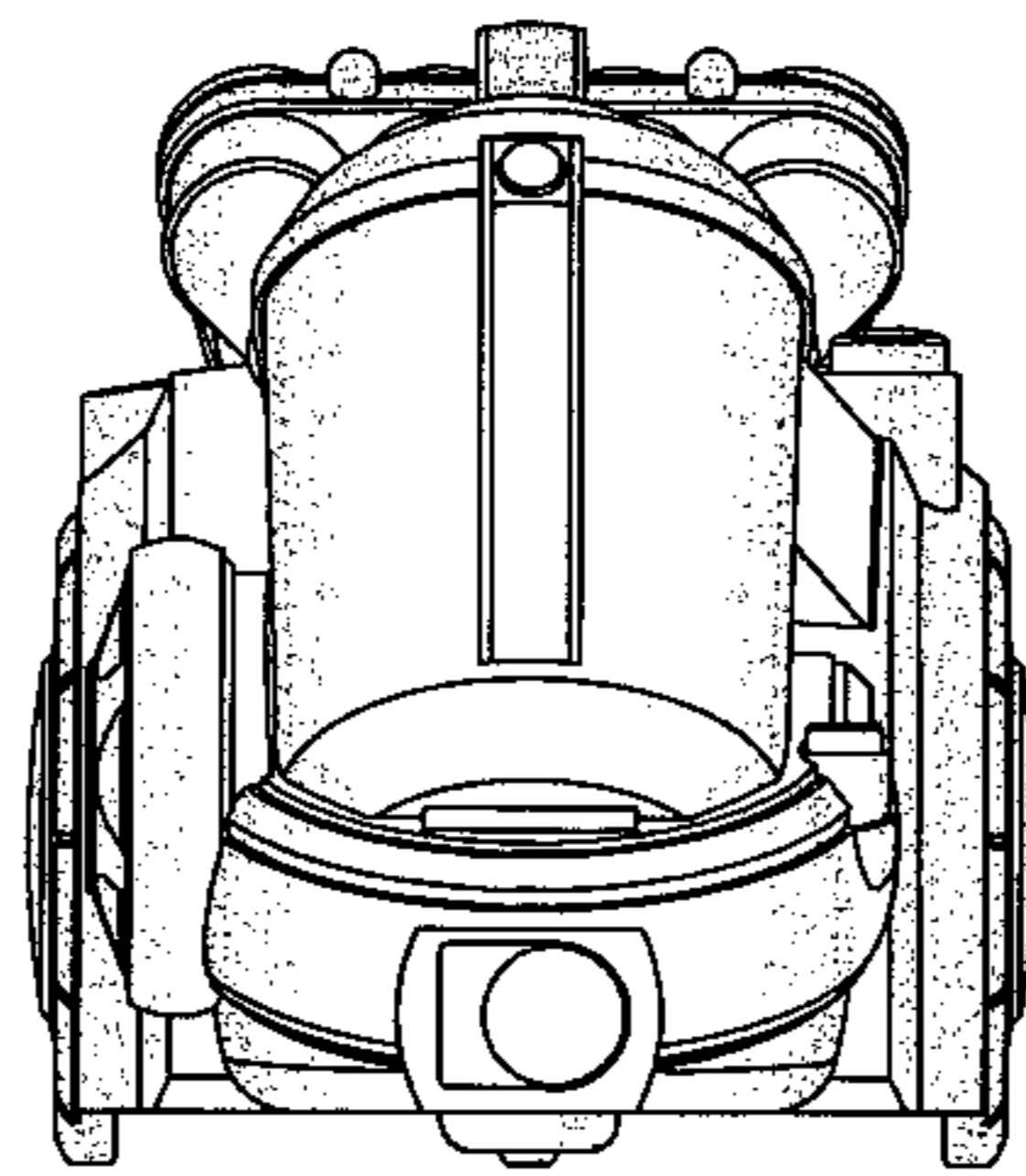
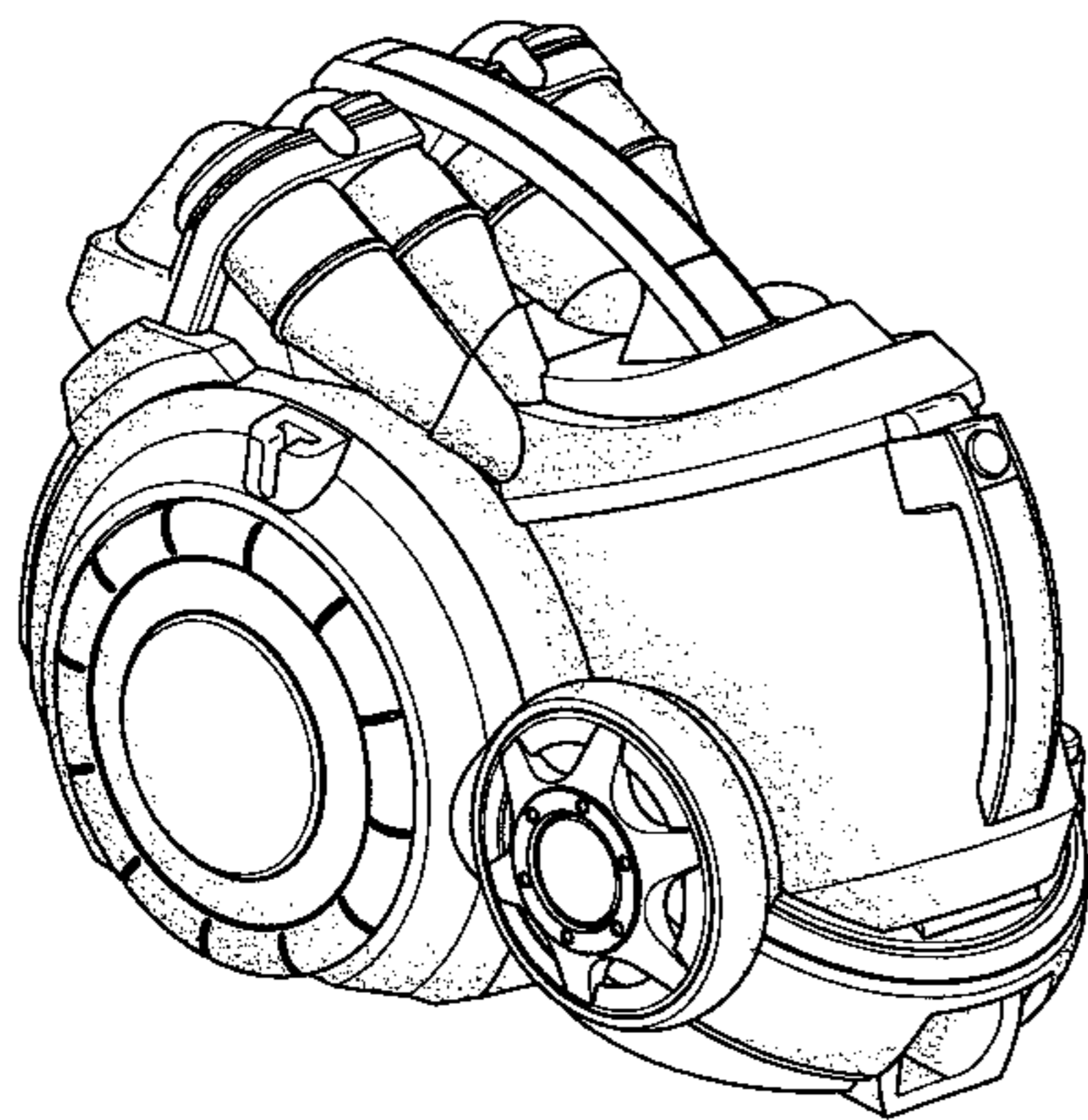


FIG. 1

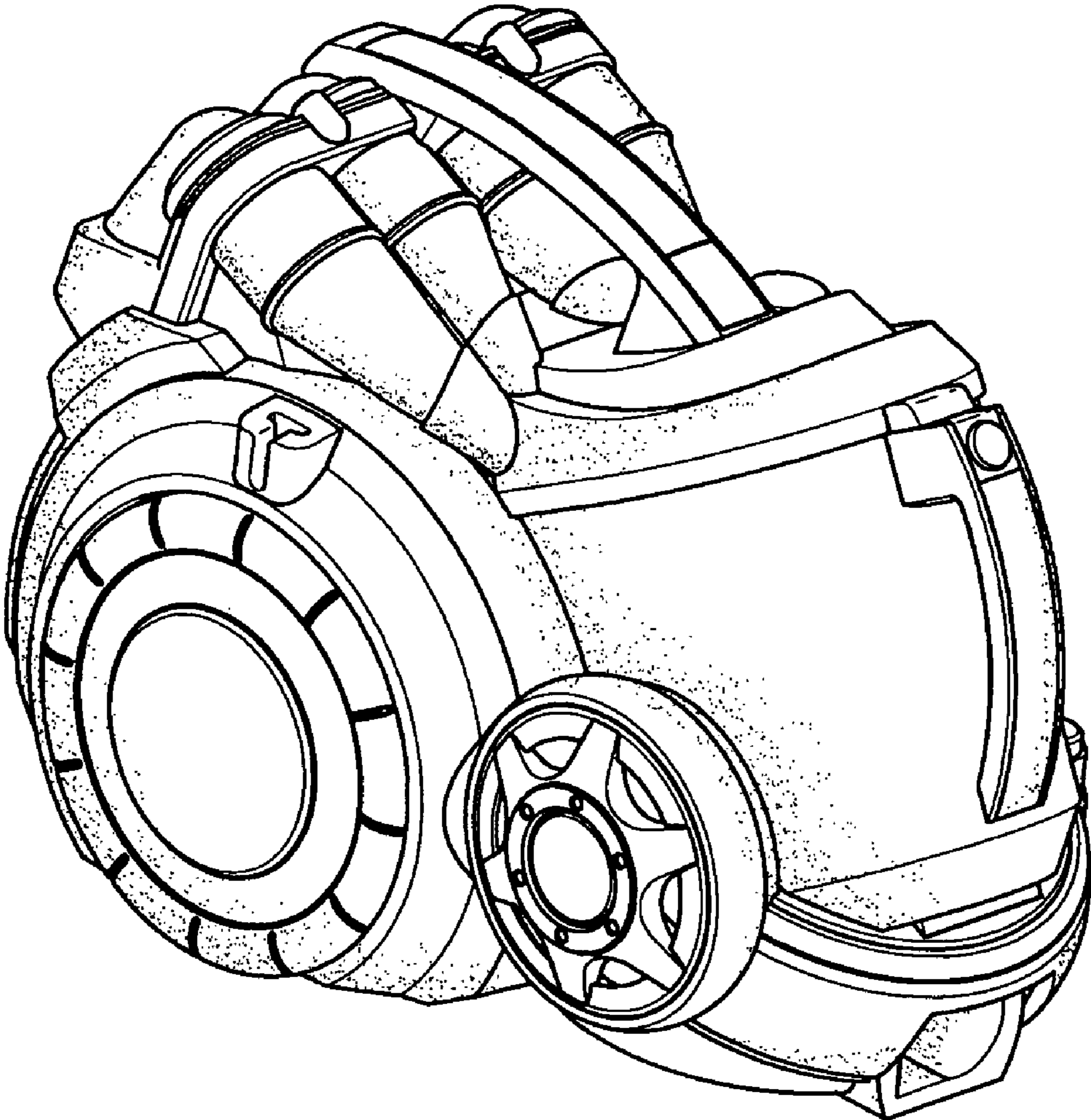


FIG. 2

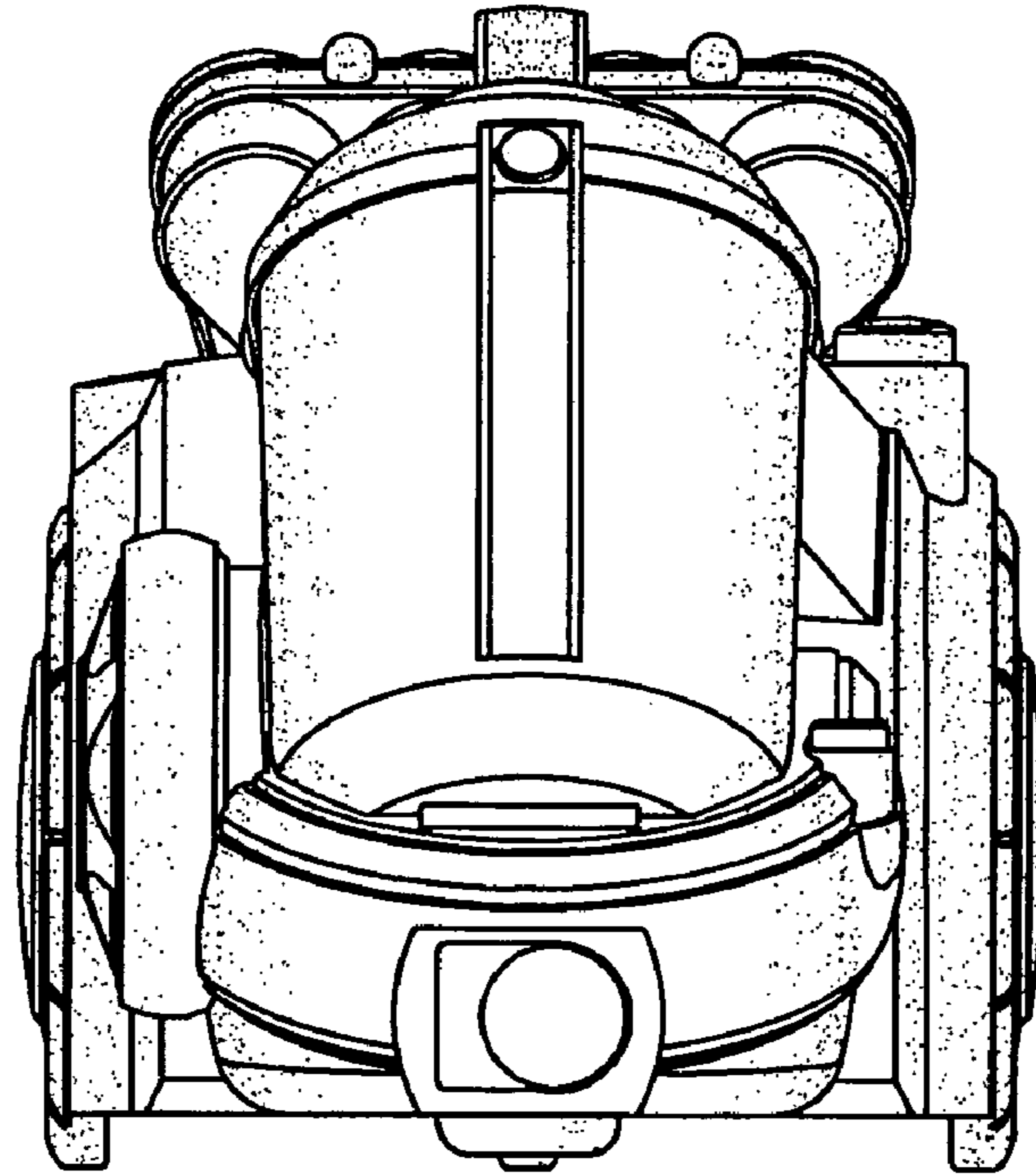


FIG. 3

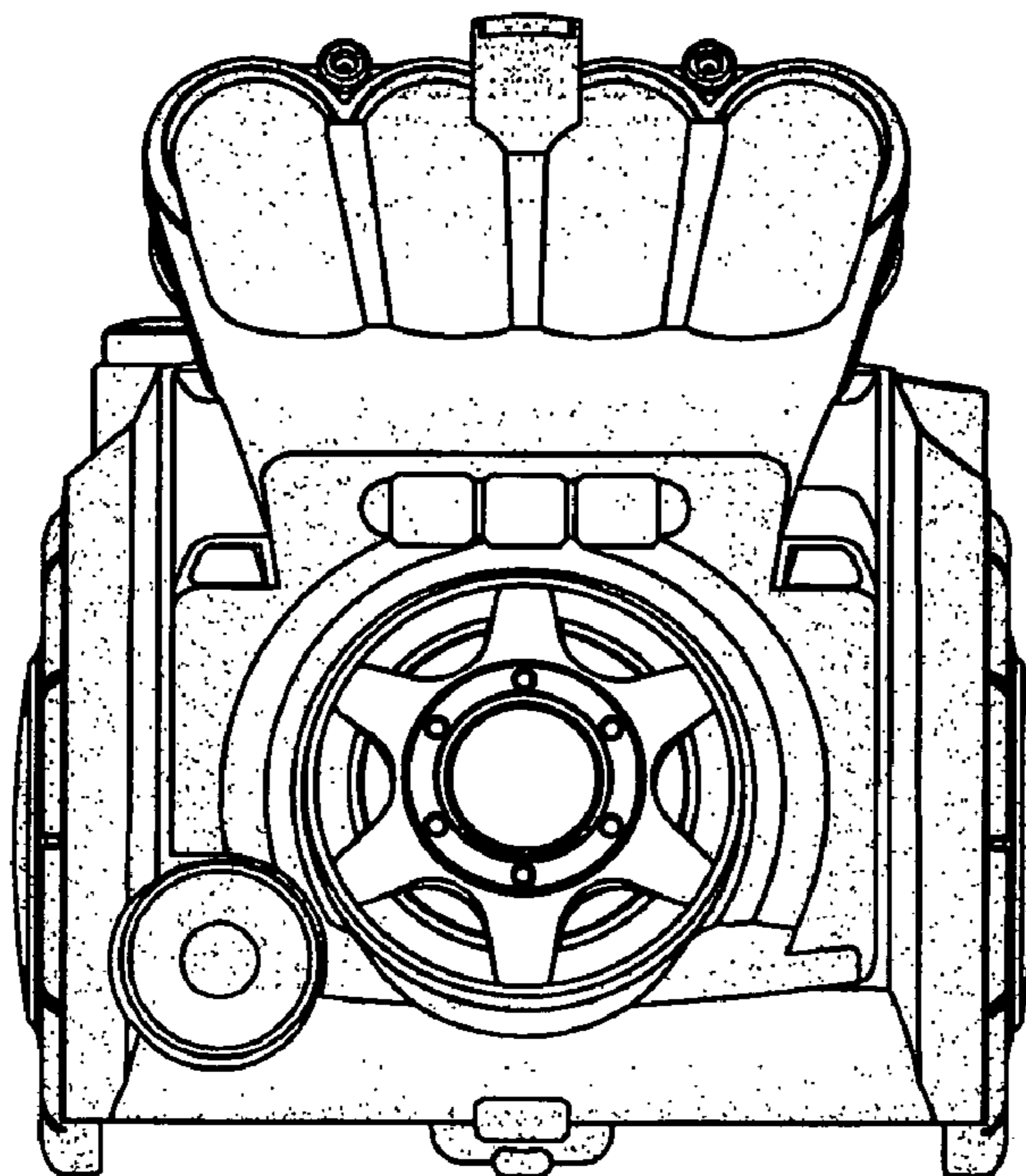


FIG. 4

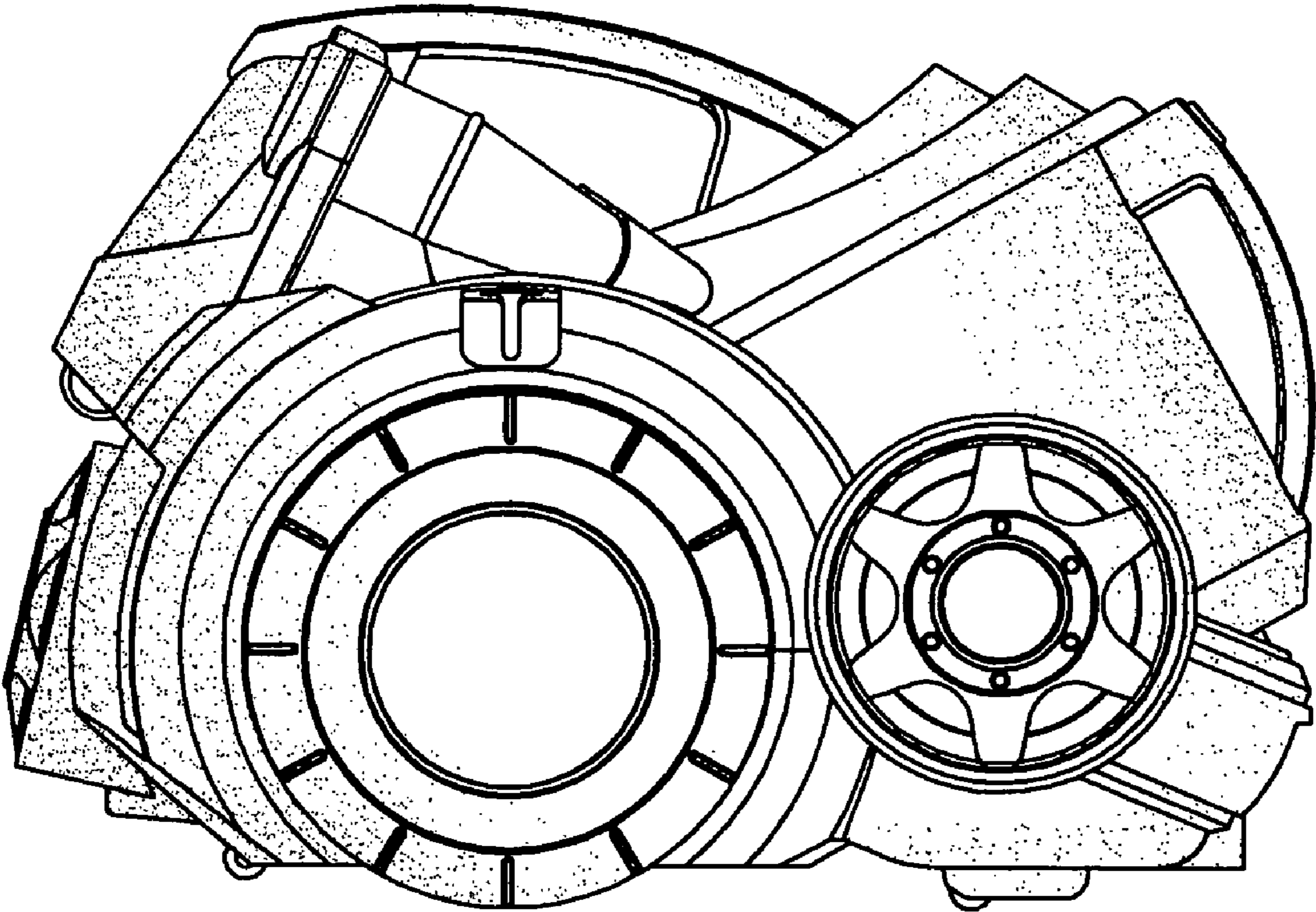
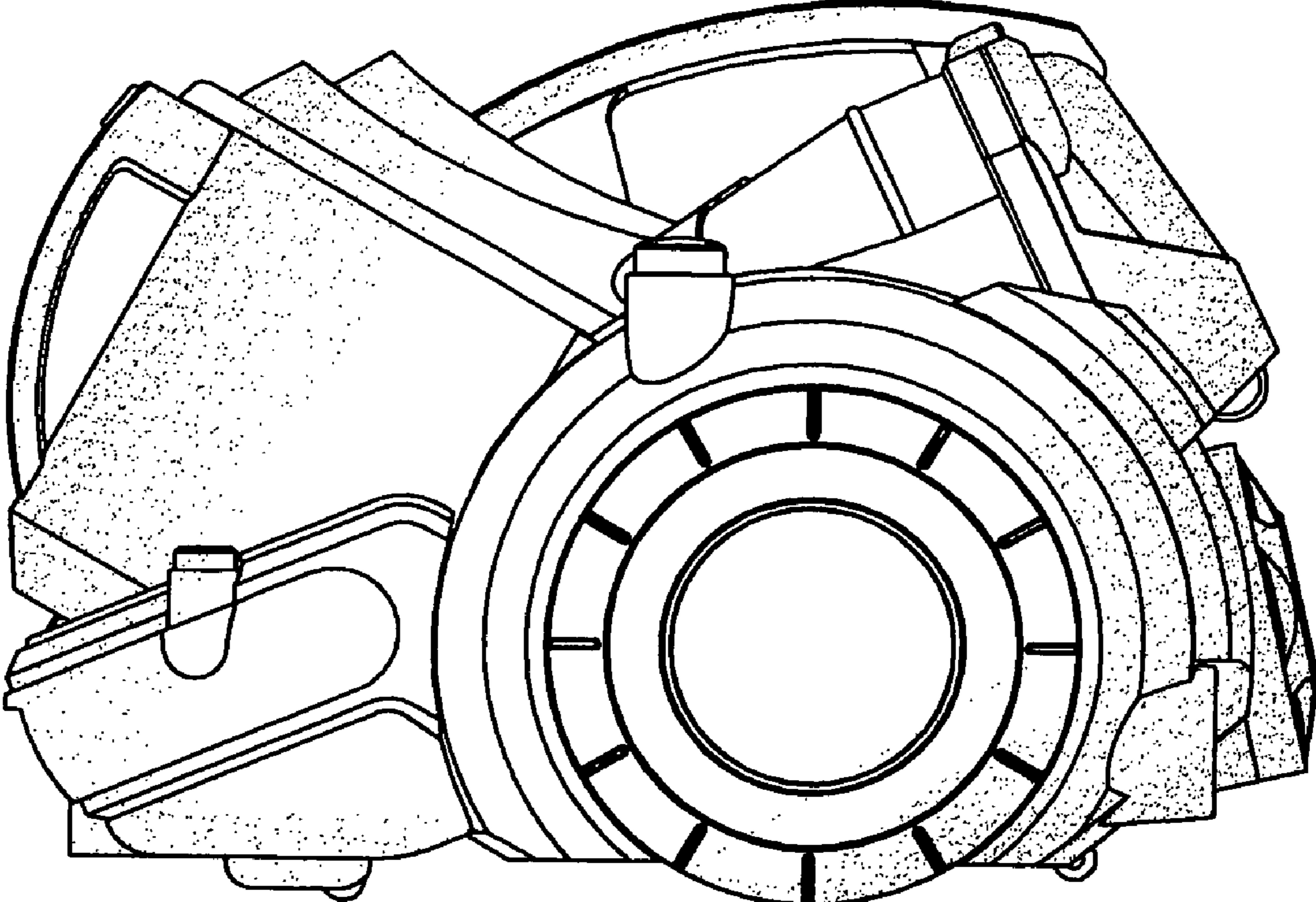
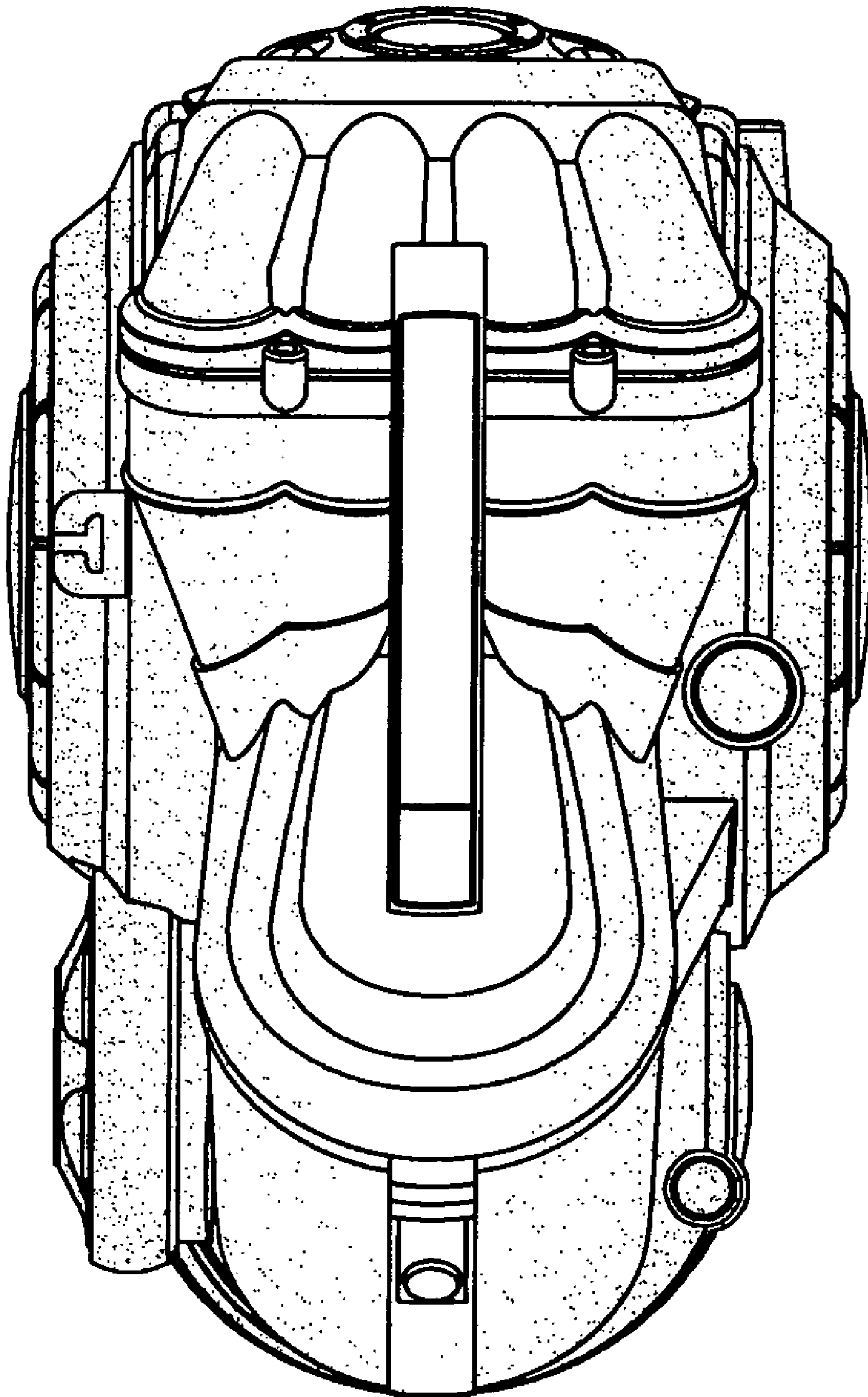


FIG. 5



**FIG. 6**



**FIG. 7**

