



US00D555847S

(12) **United States Design Patent**
Franzino

(10) **Patent No.:** **US D555,847 S**

(45) **Date of Patent:** **** Nov. 20, 2007**

(54) **TUBE CLEANING MACHINE**

(75) **Inventor:** **Joseph J Franzino, Redding, CT (US)**

(73) **Assignee:** **Goodway Technologies Corporation, Stamford, CT (US)**

(**) **Term:** **14 Years**

(21) **Appl. No.:** **29/245,338**

(22) **Filed:** **Dec. 21, 2005**

(51) **LOC (8) Cl.** **15-05**

(52) **U.S. Cl.** **D32/14**

(58) **Field of Classification Search** D32/1,
D32/15, 16, 22; 15/320, 321; 417/234,
417/360, 410; 239/146, 147
See application file for complete search history.

(56) **References Cited**

U.S. PATENT DOCUMENTS

D115,185 S *	6/1939	Clarkson	D32/1
3,675,851 A *	7/1972	Merfeld et al.	239/318
4,244,072 A *	1/1981	Dunham et al.	15/104.095
D281,632 S *	12/1985	Yang	D32/15
5,201,638 A *	4/1993	Bieri	417/234
5,443,211 A *	8/1995	Young et al.	239/146

D408,952 S *	4/1999	Page	D34/25
6,279,838 B1 *	8/2001	Sivells et al.	239/146
D489,495 S *	5/2004	Franzino	D32/1
D518,607 S *	4/2006	Franzino	D32/1
7,055,203 B1 *	6/2006	Franzino	15/104.095

* cited by examiner

Primary Examiner—Louis S. Zarfes

Assistant Examiner—Kathleen Sims

(74) *Attorney, Agent, or Firm*—Patrick J. Walsh

(57) **CLAIM**

I claim the ornamental design for a tube cleaning machine, as shown and described.

DESCRIPTION

FIG. 1 is a front elevation view of a tube cleaning machine, showing my new design;

FIG. 2 is a rear elevation view thereof;

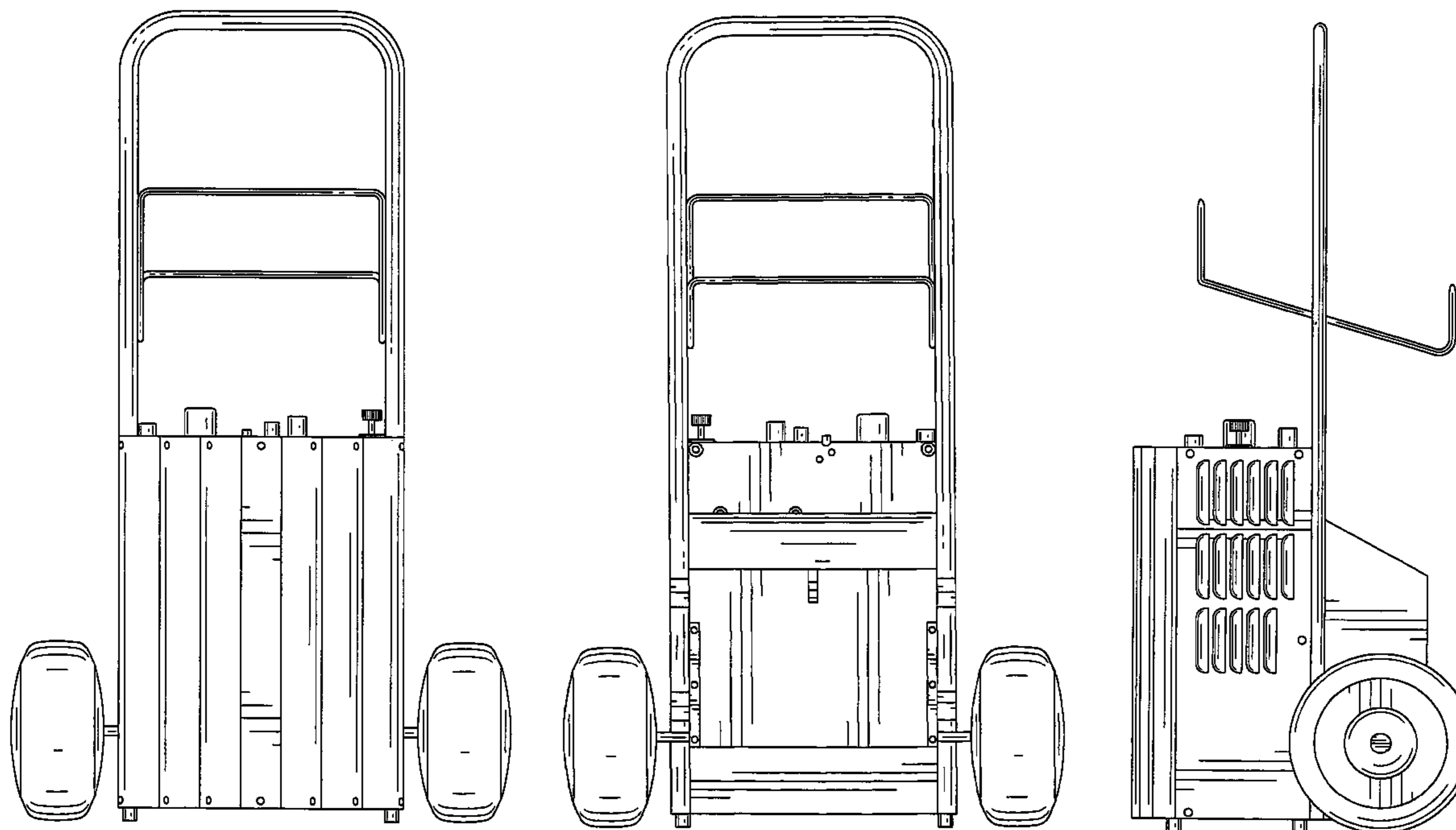
FIG. 3 is a right side elevation view thereof;

FIG. 4 is a left side elevation view thereof;

FIG. 5 is a top view thereof; and,

FIG. 6 is a bottom view thereof.

1 Claim, 4 Drawing Sheets



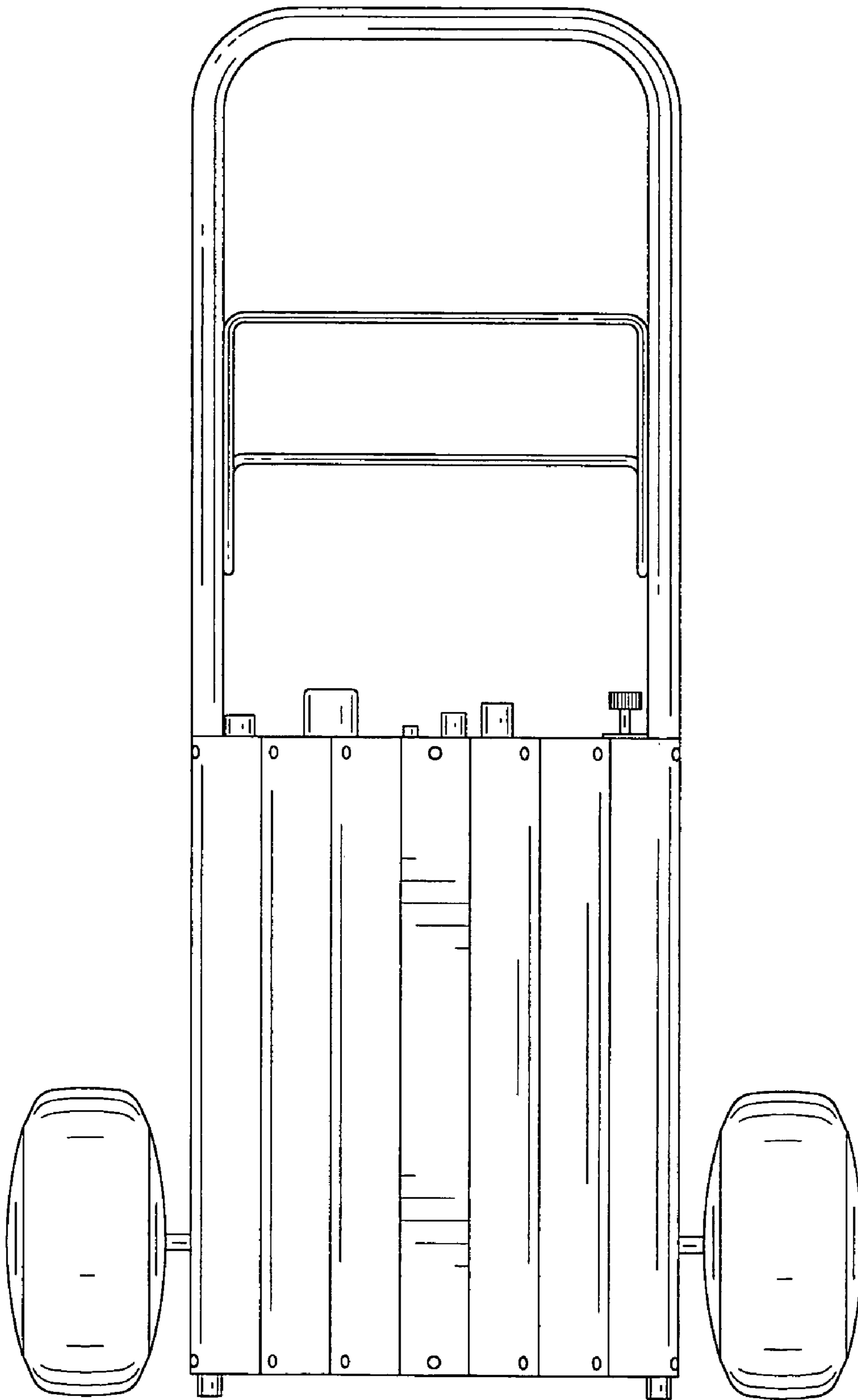


FIG. 1

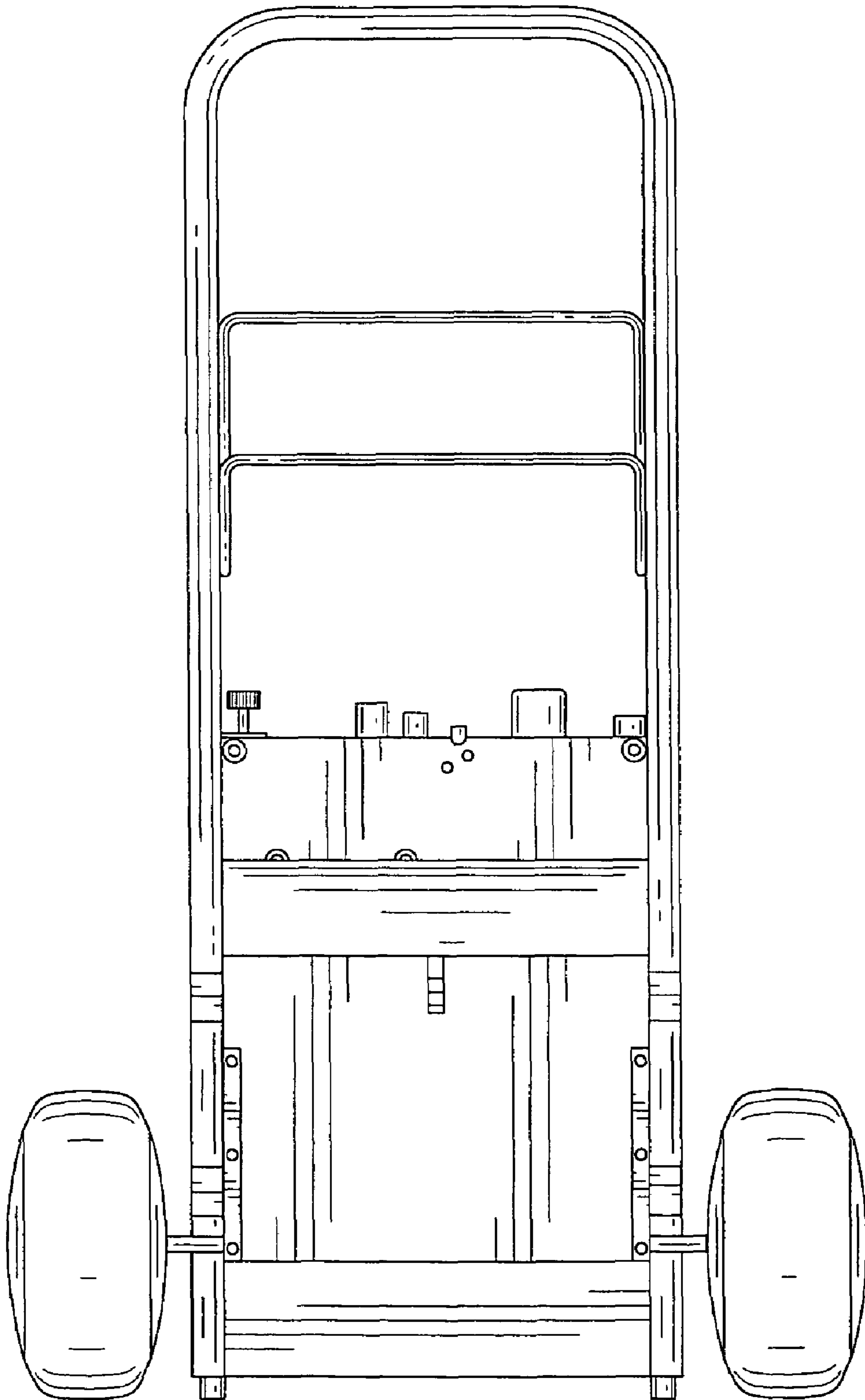


FIG. 2

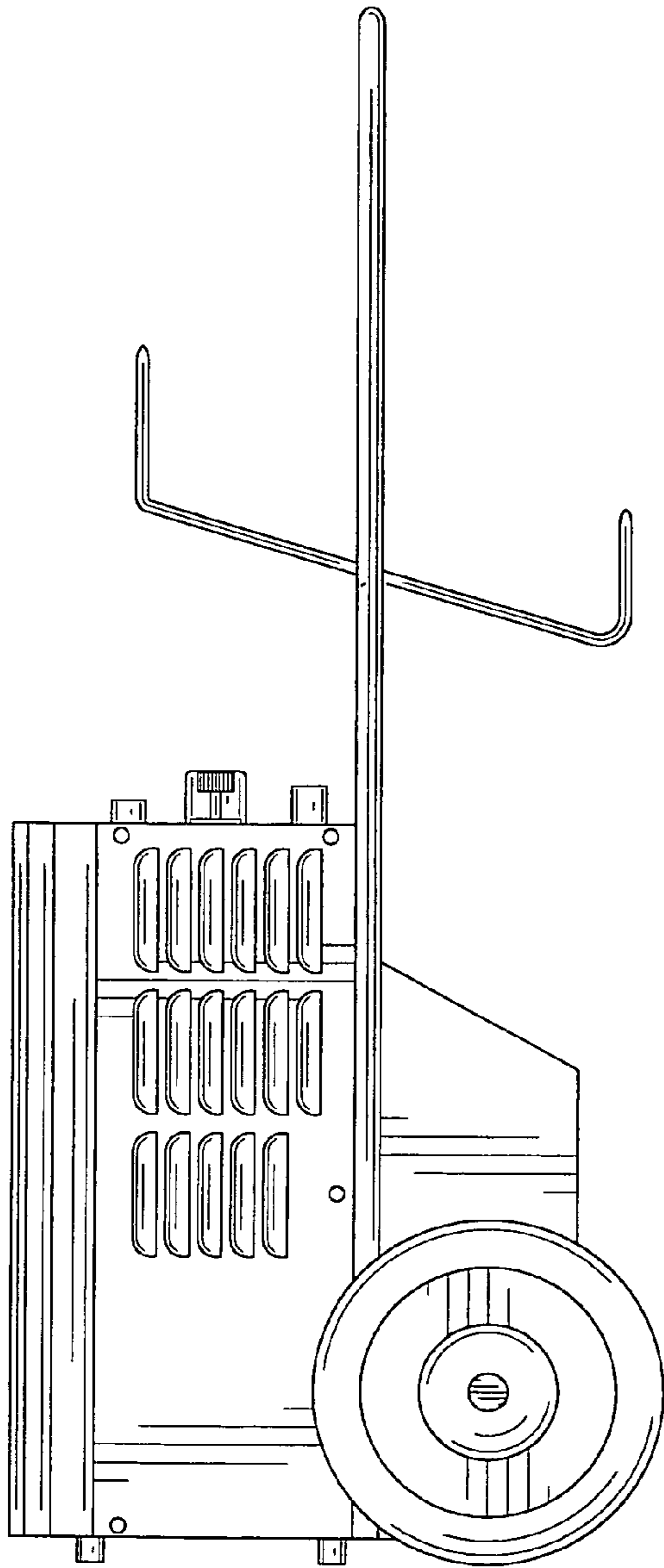


FIG. 3

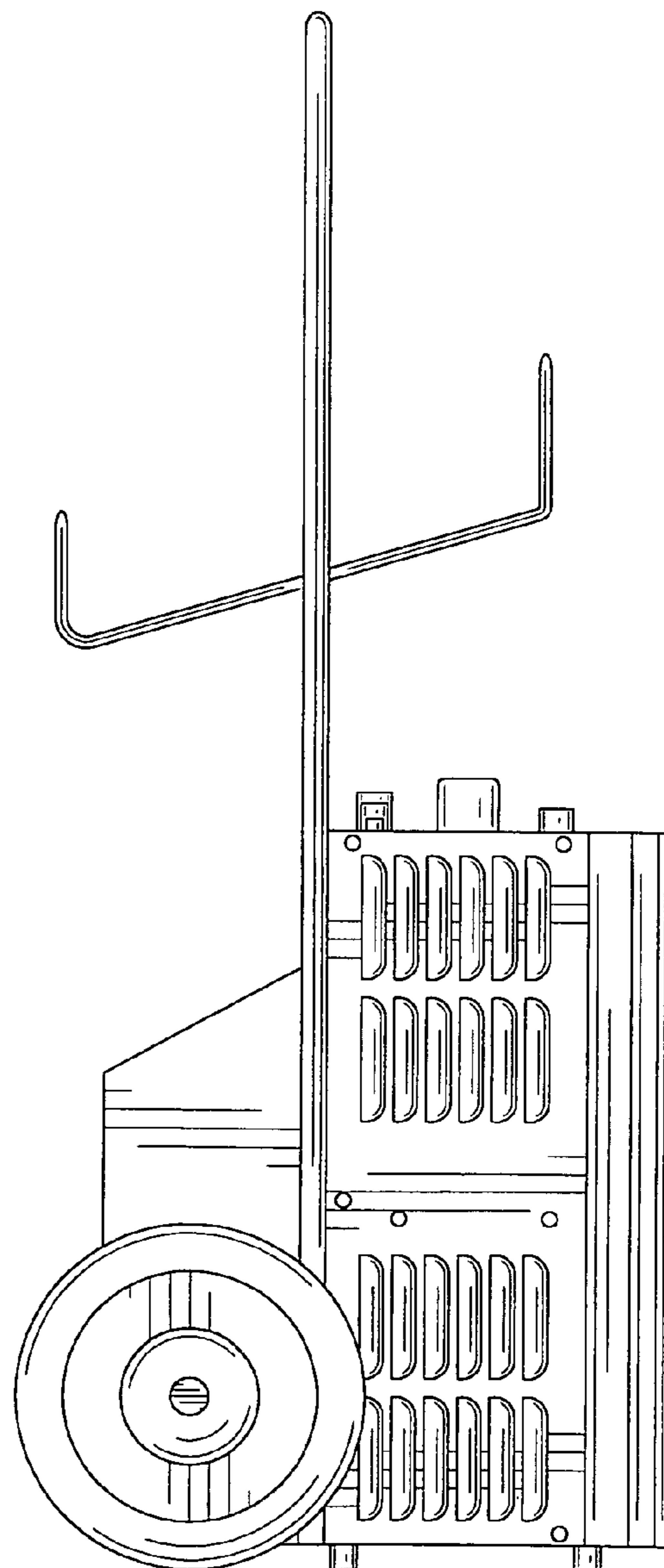


FIG. 4

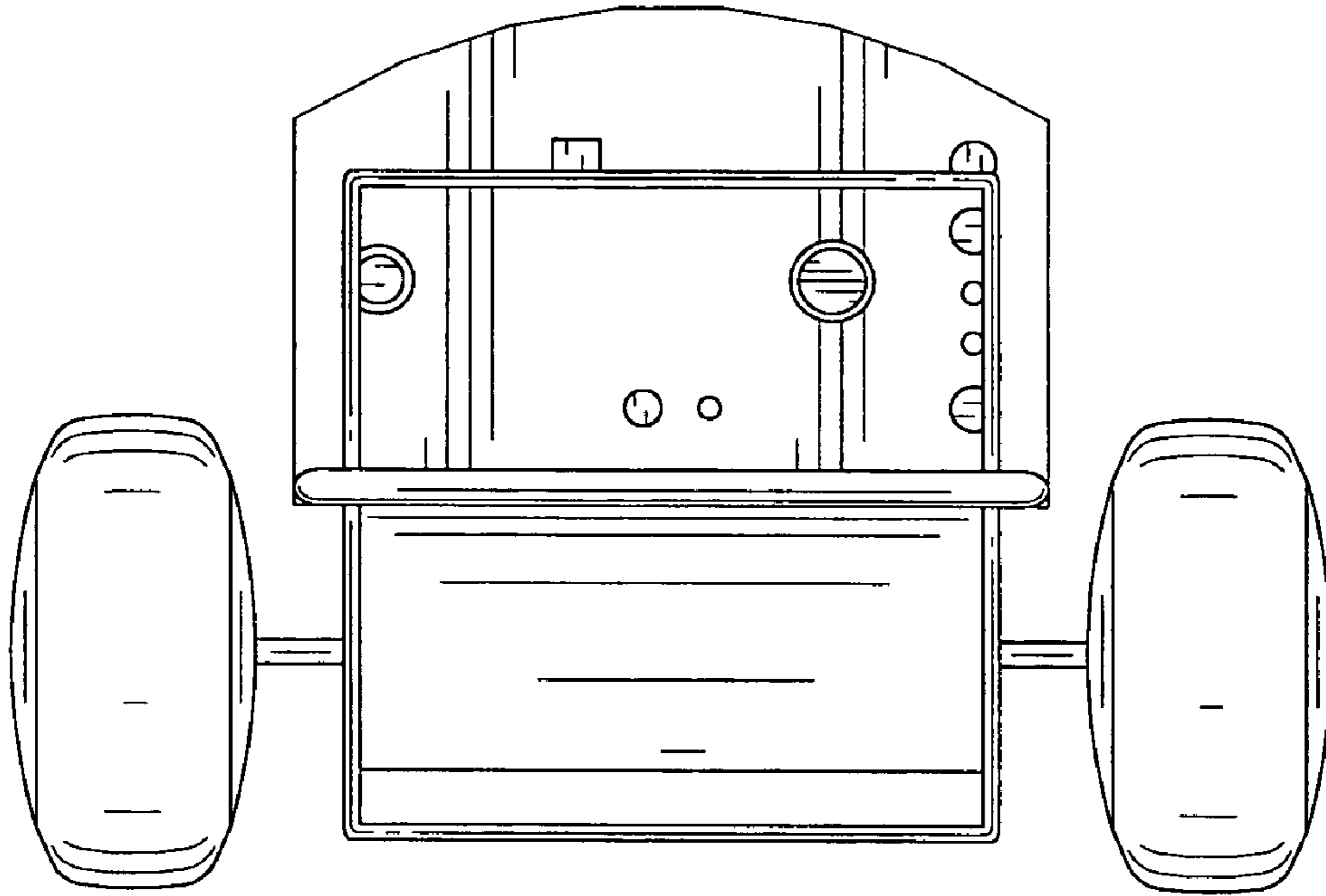


FIG. 5

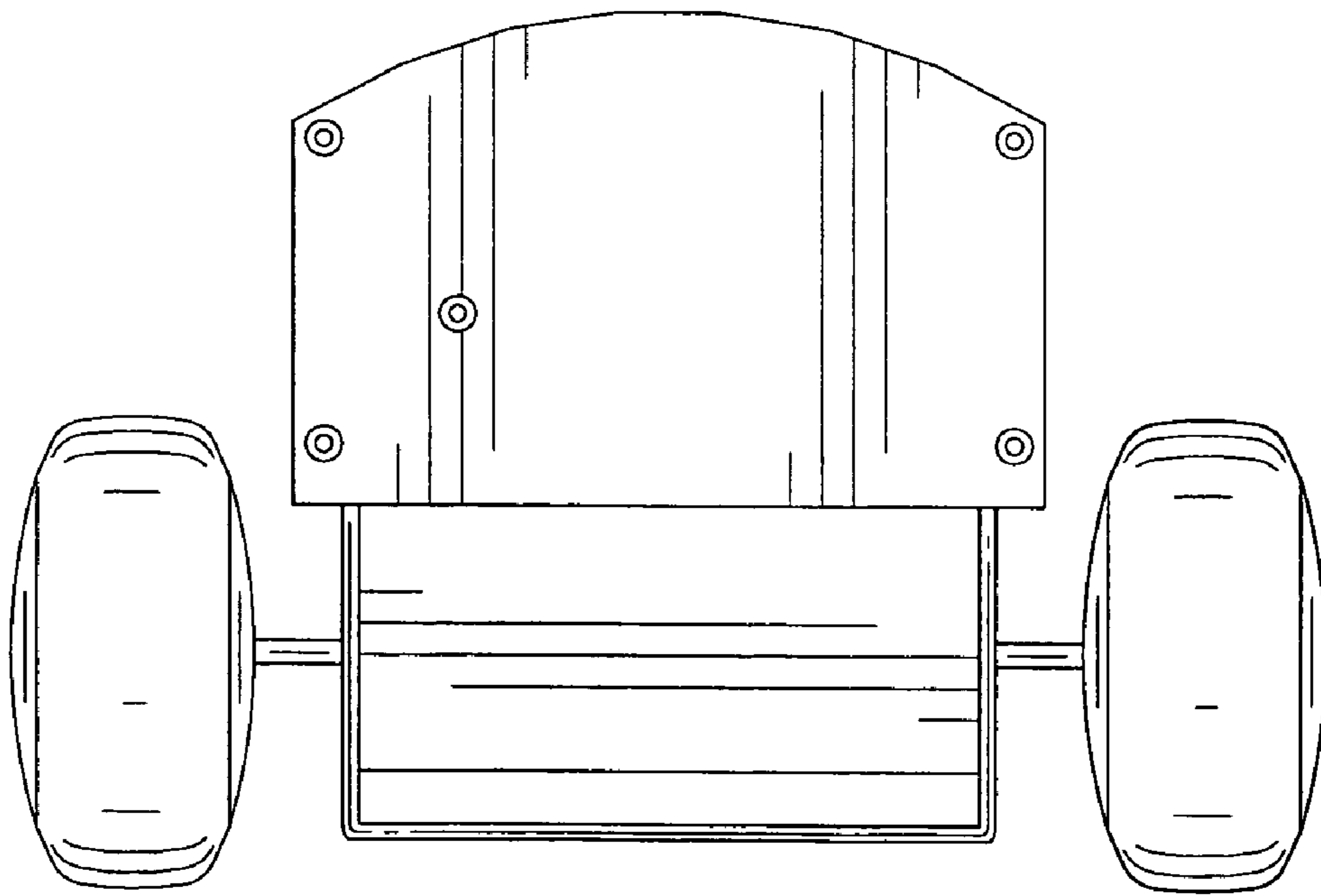


FIG. 6