



US00D555845S

(12) **United States Design Patent**  
**Khubani**

(10) **Patent No.:** **US D555,845 S**

(45) **Date of Patent:** **\*\* Nov. 20, 2007**

(54) **PET STEPS**

(76) **Inventor:** **Ajit Khubani**, 55 Chestnut Hill Rd.,  
Saddle Brook, NJ (US) 07458

(\*\*) **Term:** **14 Years**

(21) **Appl. No.:** **29/256,975**

(22) **Filed:** **Mar. 28, 2006**

(51) **LOC (8) Cl.** ..... **30-99**

(52) **U.S. Cl.** ..... **D30/199**

(58) **Field of Classification Search** ..... 119/847,  
119/28.5, 165, 702, 706-711, 485, 498; 52/182,  
52/188, 190; 182/115, 113, 151, 33, 35,  
182/95; D30/108, 118, 119, 199, 158-161;  
297/118; D6/349-350; D25/62, 63, 65;  
D12/203; 105/443, 447, 448; 296/156;  
280/166

See application file for complete search history.

(56) **References Cited**

**U.S. PATENT DOCUMENTS**

- 361,983 A 4/1887 Brown
- 2,287,561 A \* 6/1942 Page et al. .... 52/182
- 2,579,797 A 12/1951 Churchfield et al.
- D181,560 S 11/1957 Varnado et al.
- 2,888,182 A 5/1959 Nixon
- 2,939,309 A 6/1960 Sitton
- D194,399 S 1/1963 De Muth et al.
- 3,099,336 A 7/1963 Hawkins
- 3,173,398 A 3/1965 Raymond
- 3,578,110 A 5/1971 Seagraves
- 3,593,821 A \* 7/1971 Lister ..... 182/115
- 3,628,790 A 12/1971 Gordon
- 3,709,323 A \* 1/1973 Tribble ..... 182/115
- 3,807,757 A \* 4/1974 Carpenter et al. .... 280/166
- 3,830,337 A 8/1974 Todd
- 3,891,053 A 6/1975 Burton
- 4,108,457 A \* 8/1978 Garrett ..... 280/166
- 4,301,766 A 11/1981 Piccone
- 4,367,613 A \* 1/1983 Strub ..... 52/188

- 4,583,335 A 4/1986 Morellini
- D320,702 S 10/1991 Dewing
- D322,872 S 12/1991 Holbrook
- 5,094,505 A 3/1992 Nichols
- D330,462 S 10/1992 Szablak et al.
- 5,470,292 A 11/1995 Simon
- D375,290 S \* 11/1996 Hall ..... D12/318
- 5,592,801 A 1/1997 Balzer
- 5,634,440 A 6/1997 Mogck
- 5,636,483 A 6/1997 Wille
- 5,660,009 A 8/1997 Cousin
- D383,261 S 9/1997 Karsten et al.
- 5,791,101 A 8/1998 Wallace
- 5,794,391 A 8/1998 Howard
- 5,794,570 A 8/1998 Foster et al.
- 5,806,254 A 9/1998 Bennett
- 5,899,032 A 5/1999 Buzby
- 5,941,030 A \* 8/1999 Williamson ..... 52/182

(Continued)

*Primary Examiner*—M. H. Tung  
*Assistant Examiner*—Susan Moon Lee  
(74) *Attorney, Agent, or Firm*—Cooper & Dunham LLP

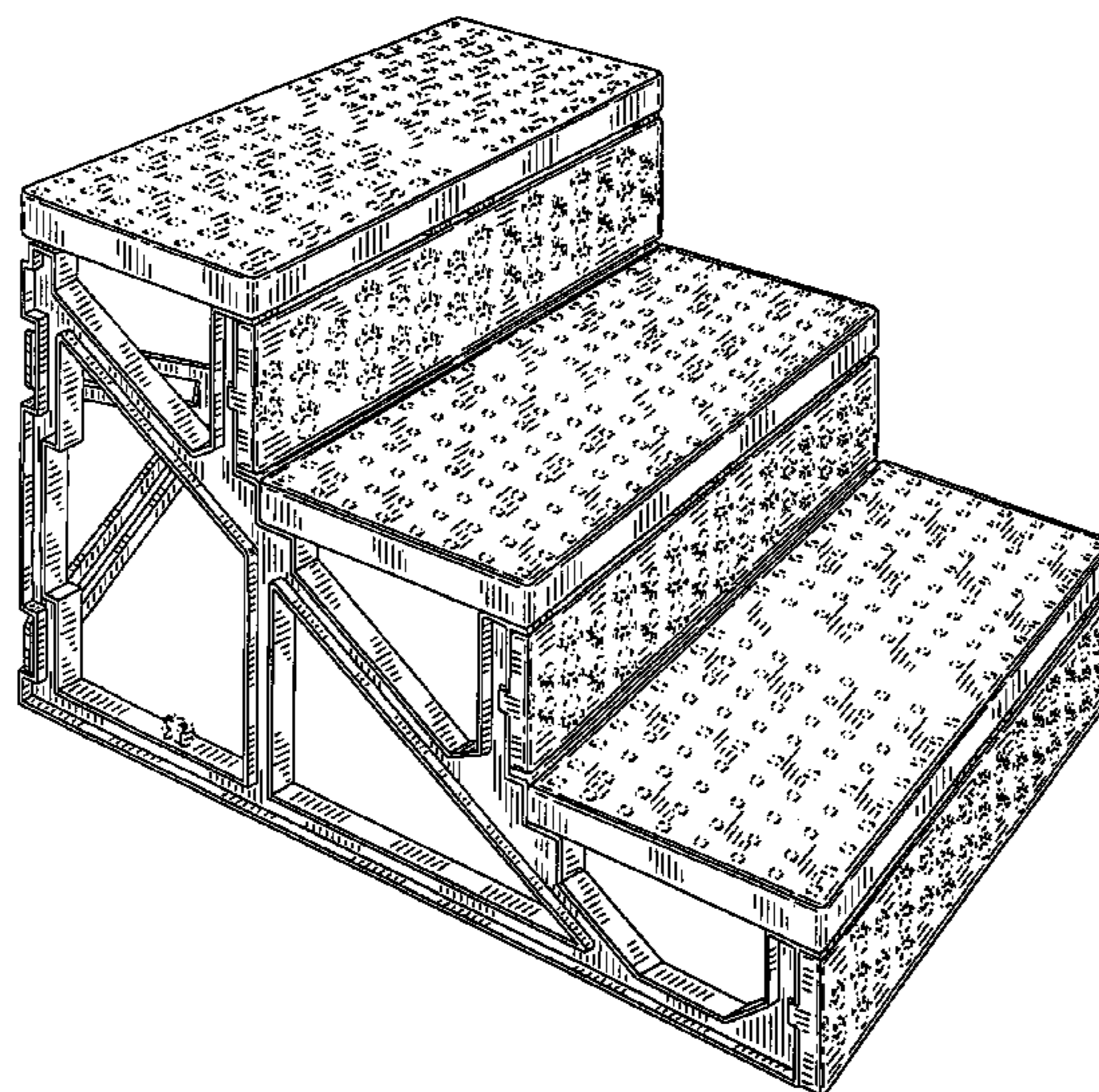
(57) **CLAIM**

The ornamental design for pet steps, as shown and described.

**DESCRIPTION**

FIG. 1 is a front view thereof;  
FIG. 2 is a back view thereof;  
FIG. 3 is a side view thereof;  
FIG. 4 is the other side view thereof;  
FIG. 5 is a top view thereof;  
FIG. 6 is a bottom view thereof; and,  
FIG. 7 is a perspective view thereof.  
The portions rendered in broken line are for illustrative purposes only and form no part of the claimed design.

**1 Claim, 7 Drawing Sheets**



# US D555,845 S

Page 2

---

## U.S. PATENT DOCUMENTS

5,941,342	A *	8/1999	Lee .....	182/95	6,543,191	B1	4/2003	Kress	
D429,038	S	8/2000	Forester		D485,021	S	1/2004	Gonzalez	
6,155,207	A	12/2000	LaRocca		2002/0153201	A1 *	10/2002	Warford .....	182/115
6,205,722	B1	3/2001	Bromley et al.		2003/0154669	A1	8/2003	Van Daan	
6,230,454	B1	5/2001	Meagher		2004/0040785	A1 *	3/2004	Robinson et al. ....	182/115
6,397,529	B1 *	6/2002	Grenier .....	52/182	2004/0079297	A1	4/2004	Wolfington et al.	
6,438,909	B2 *	8/2002	Birch et al. ....	52/182	2004/0244724	A1	12/2004	Runge	

\* cited by examiner



FIG. 1

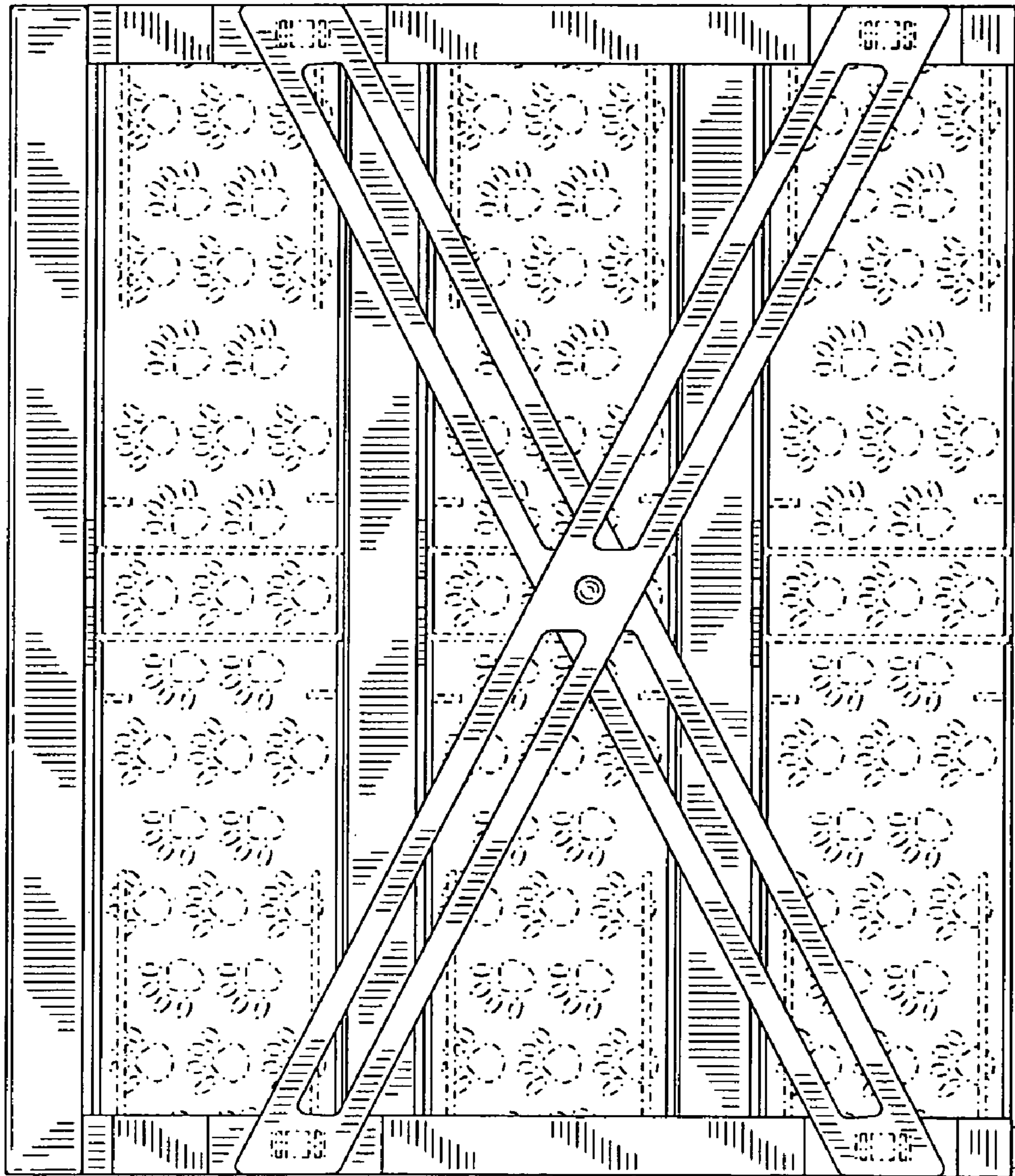


FIG. 2

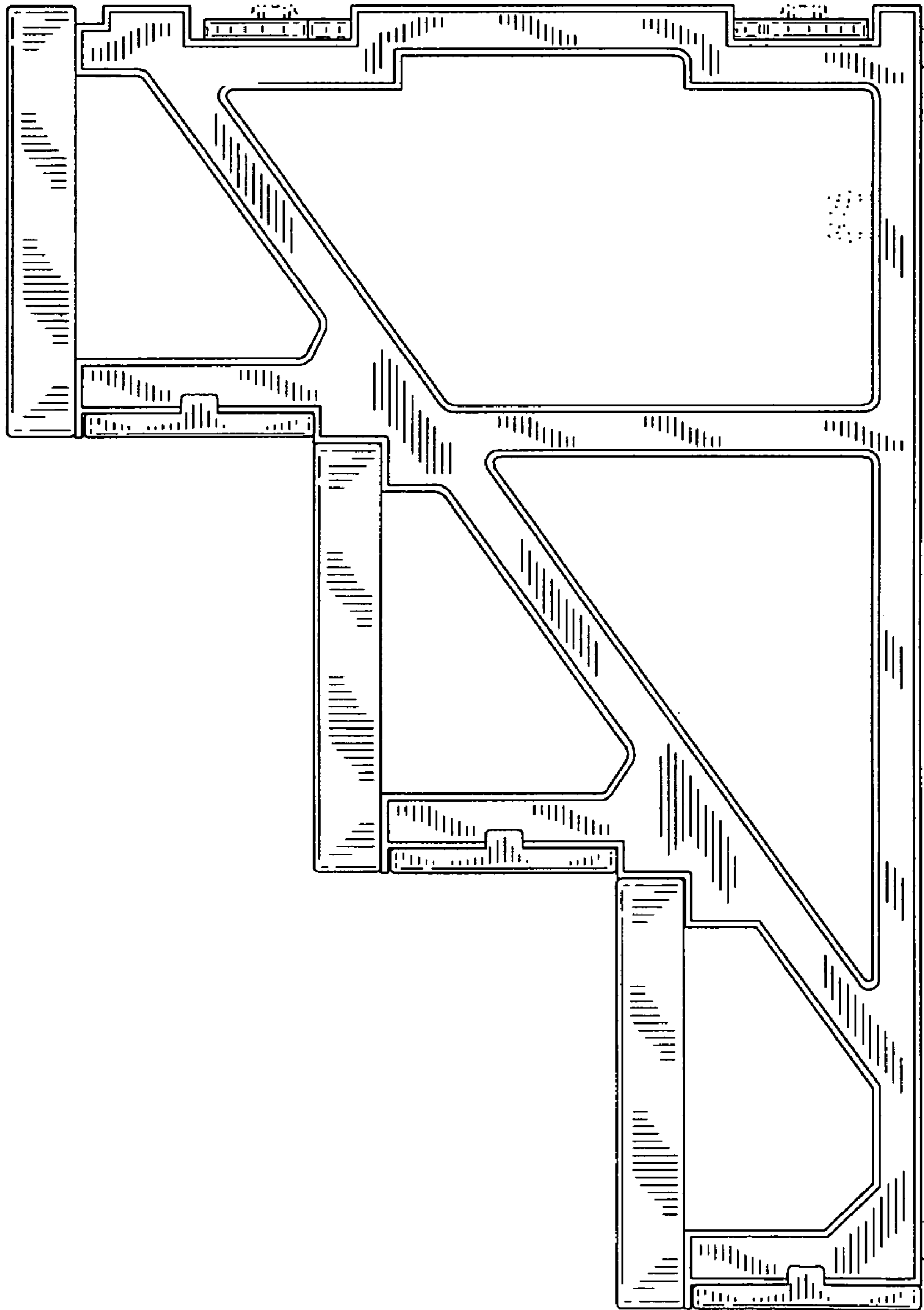


FIG. 3

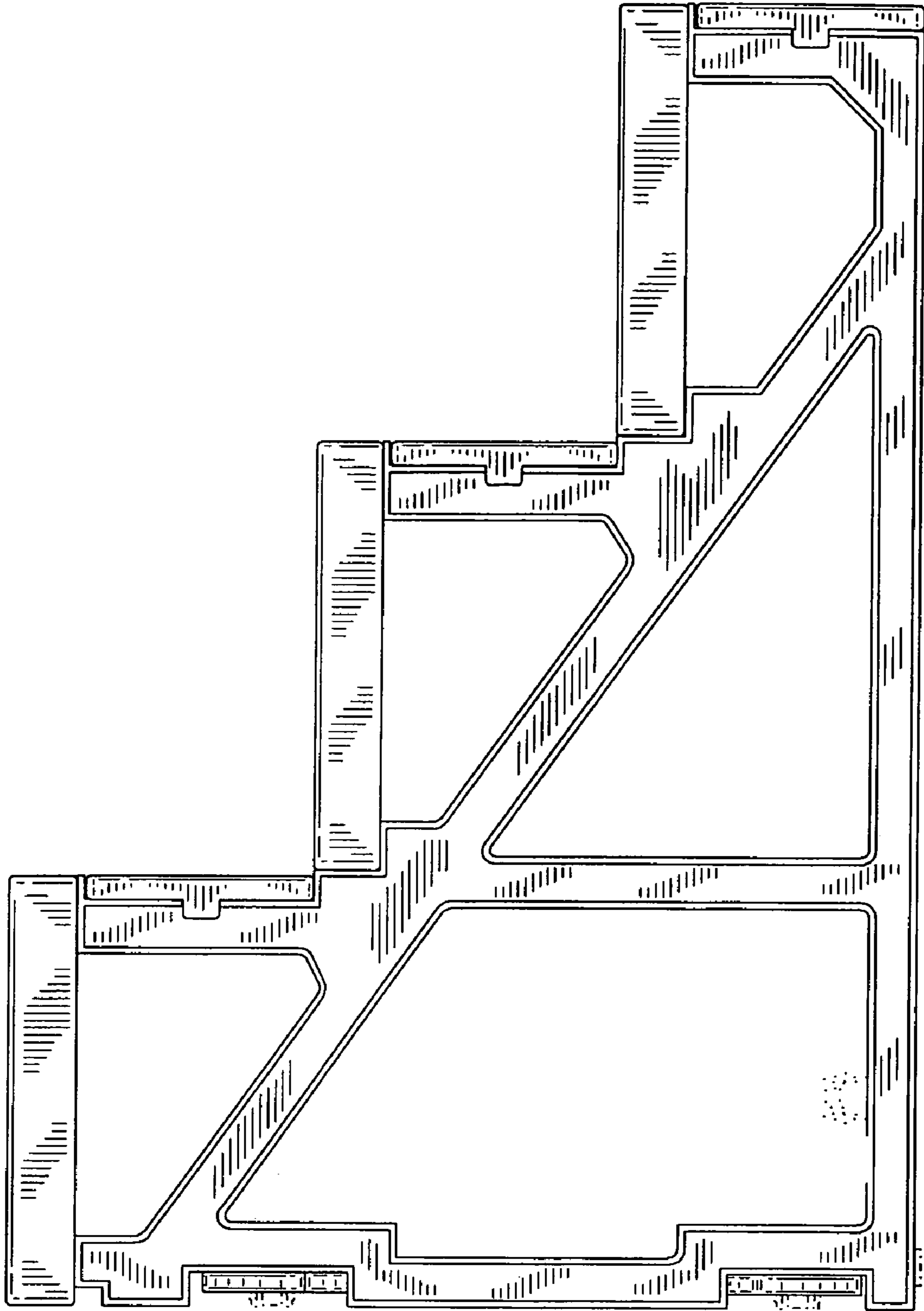


FIG. 4

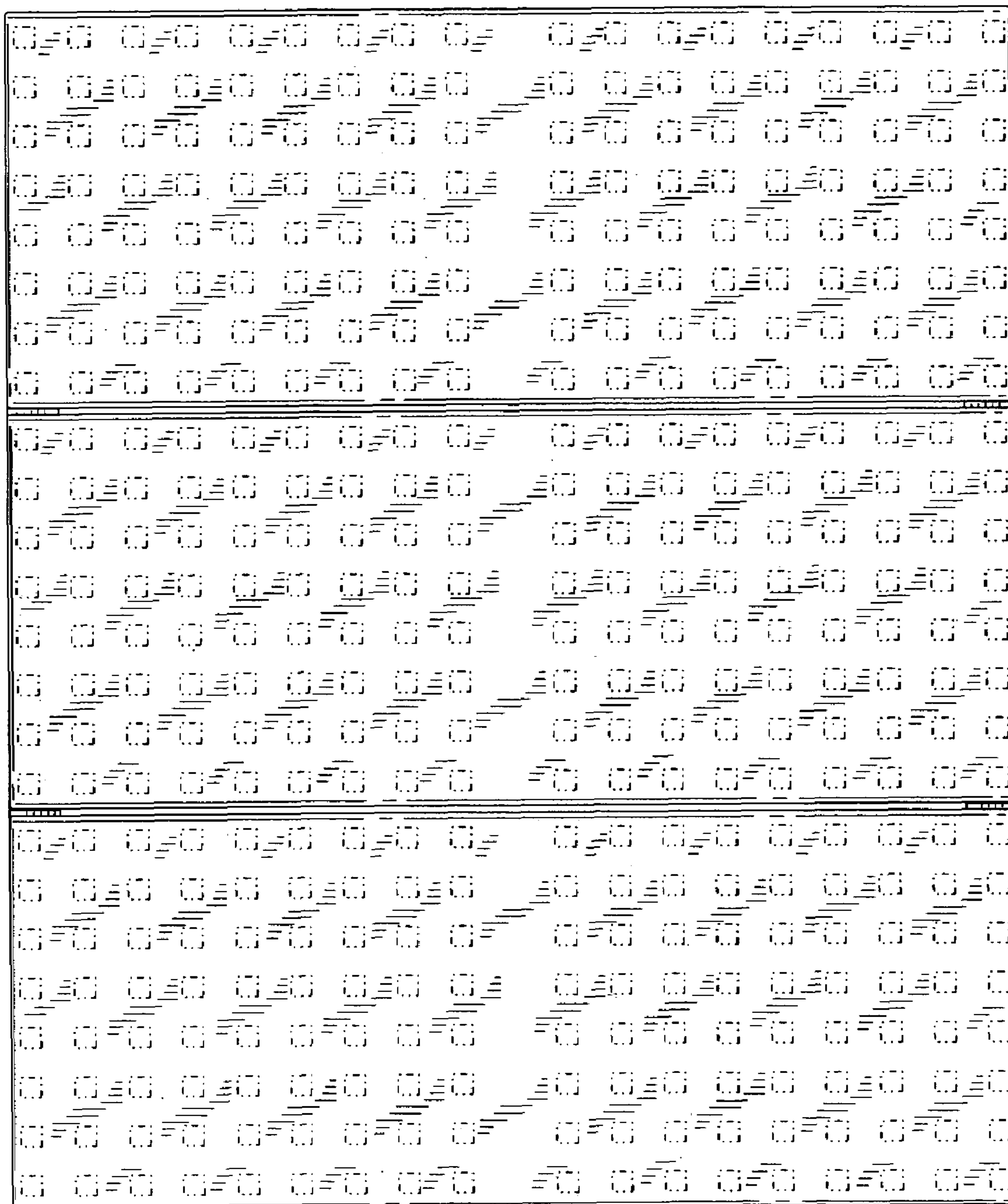


FIG. 5

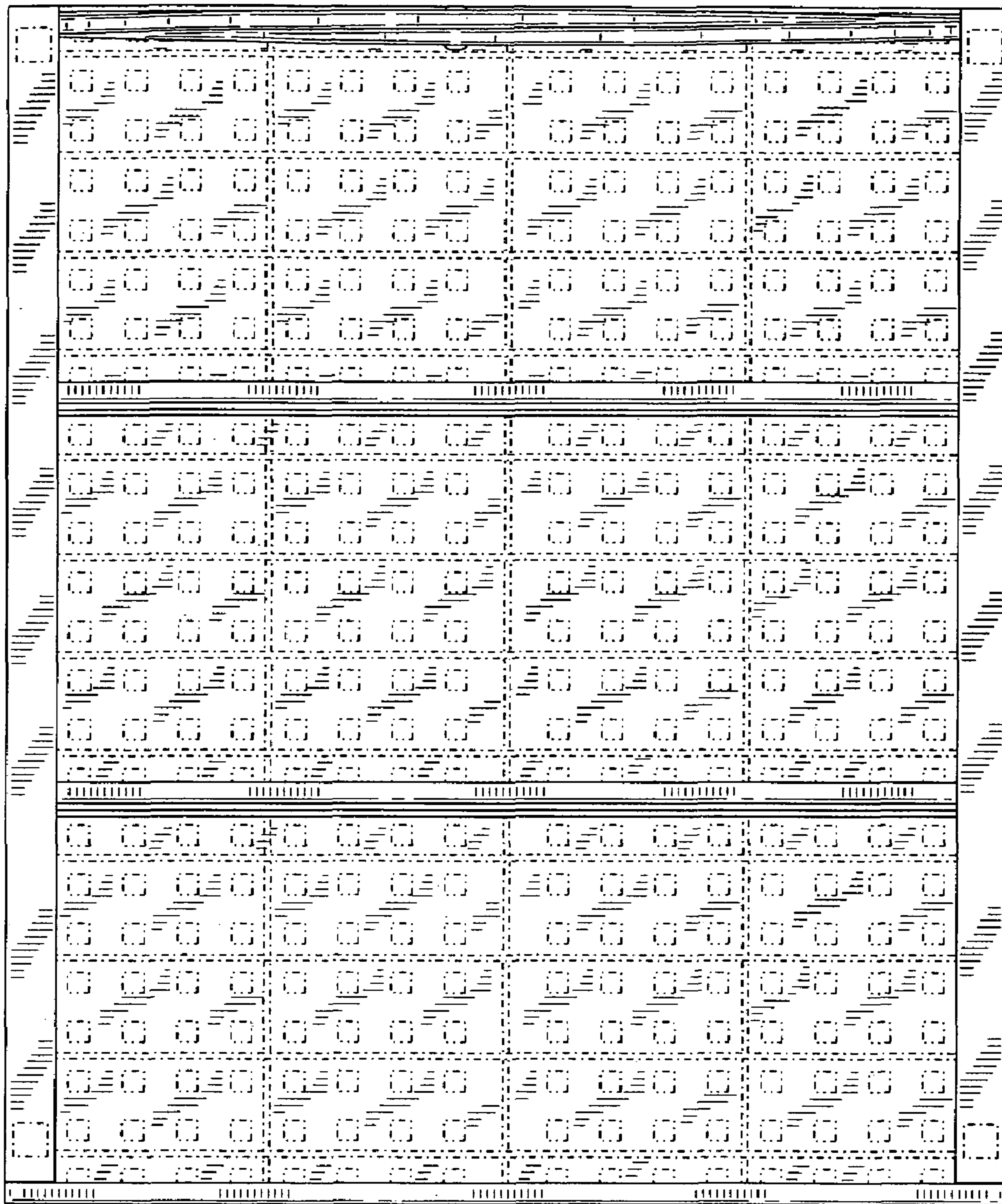


FIG. 6



FIG. 7

