



US00D555840S

(12) **United States Design Patent**
Petersen

(10) **Patent No.:** **US D555,840 S**

(45) **Date of Patent:** **** Nov. 20, 2007**

(54) **CATTLE WATERER**

(76) **Inventor:** **Chris C. Petersen**, 1523 1st Ave.
South, Denison, IA (US) 51442

(**) **Term:** **14 Years**

(21) **Appl. No.:** **29/259,395**

(22) **Filed:** **May 8, 2006**

(51) **LOC (8) Cl.** **30-07**

(52) **U.S. Cl.** **D30/121**

(58) **Field of Classification Search** 119/73,
119/74, 51.01, 51.04, 51.11–51.13, 51.5,
119/52.2, 52.4, 54; D30/121, 129, 130–133
See application file for complete search history.

(56) **References Cited**

U.S. PATENT DOCUMENTS

1,488,086	A *	3/1924	Zieglowsky	119/73
2,158,093	A *	5/1939	Teske	119/51.03
2,158,094	A *	5/1939	Teske	119/51.03
2,452,237	A *	10/1948	Hoburg et al.	119/72
2,674,227	A *	4/1954	Saunders et al.	119/73
2,972,979	A *	2/1961	Struck	119/51.5
3,734,060	A *	5/1973	Collison	119/51.03
3,841,268	A *	10/1974	Bunger	119/73
4,003,340	A *	1/1977	Kuzara et al.	119/73
4,100,885	A *	7/1978	Kapplinger	119/73
4,130,090	A *	12/1978	Bohlmann	119/73
D254,454	S *	3/1980	Clugston	D30/130
4,192,256	A *	3/1980	Clugston	119/51.5
4,395,974	A *	8/1983	Schafer et al.	119/73
4,440,112	A *	4/1984	Lilyerd	119/73

D278,371	S *	4/1985	Strickland	D30/132
4,739,727	A *	4/1988	Boyer	119/73
4,883,022	A *	11/1989	Barker	119/73
4,922,858	A *	5/1990	Ahrens	119/73
5,329,876	A *	7/1994	Tracy	119/51.03
D374,515	S *	10/1996	Benson, II	D30/129
5,566,639	A *	10/1996	McKinstry et al.	119/78
5,740,760	A *	4/1998	Winebrenner	119/73
5,842,437	A *	12/1998	Burns	119/74

* cited by examiner

Primary Examiner—M. H. Tung

Assistant Examiner—Susan Moon Lee

(74) *Attorney, Agent, or Firm*—Thomte Law Office; Dennis L. Thomte

(57) **CLAIM**

The ornamental design for a cattle waterer, as shown and described.

DESCRIPTION

FIG. 1 is a perspective view of the cattle waterer;

FIG. 2 is an end view of the cattle waterer;

FIG. 3 is a side view of the cattle waterer;

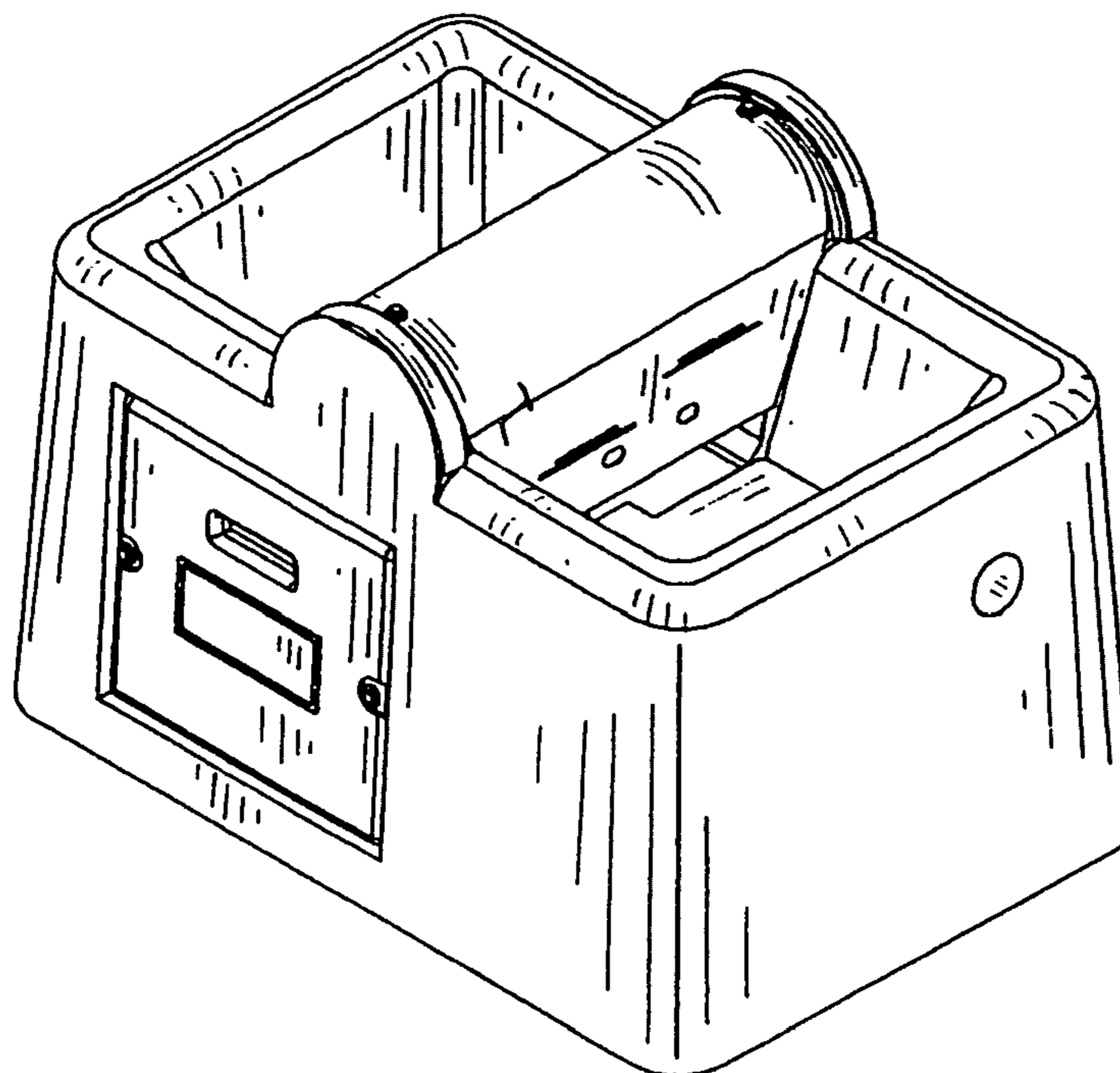
FIG. 4 is a top view of the cattle waterer;

FIG. 5 is a second end view opposite to that of FIG. 2, of the cattle waterer;

FIG. 6 is a second side view opposite to that of FIG. 3, of the cattle waterer; and,

FIG. 7 is a bottom view of the cattle waterer.

1 Claim, 2 Drawing Sheets



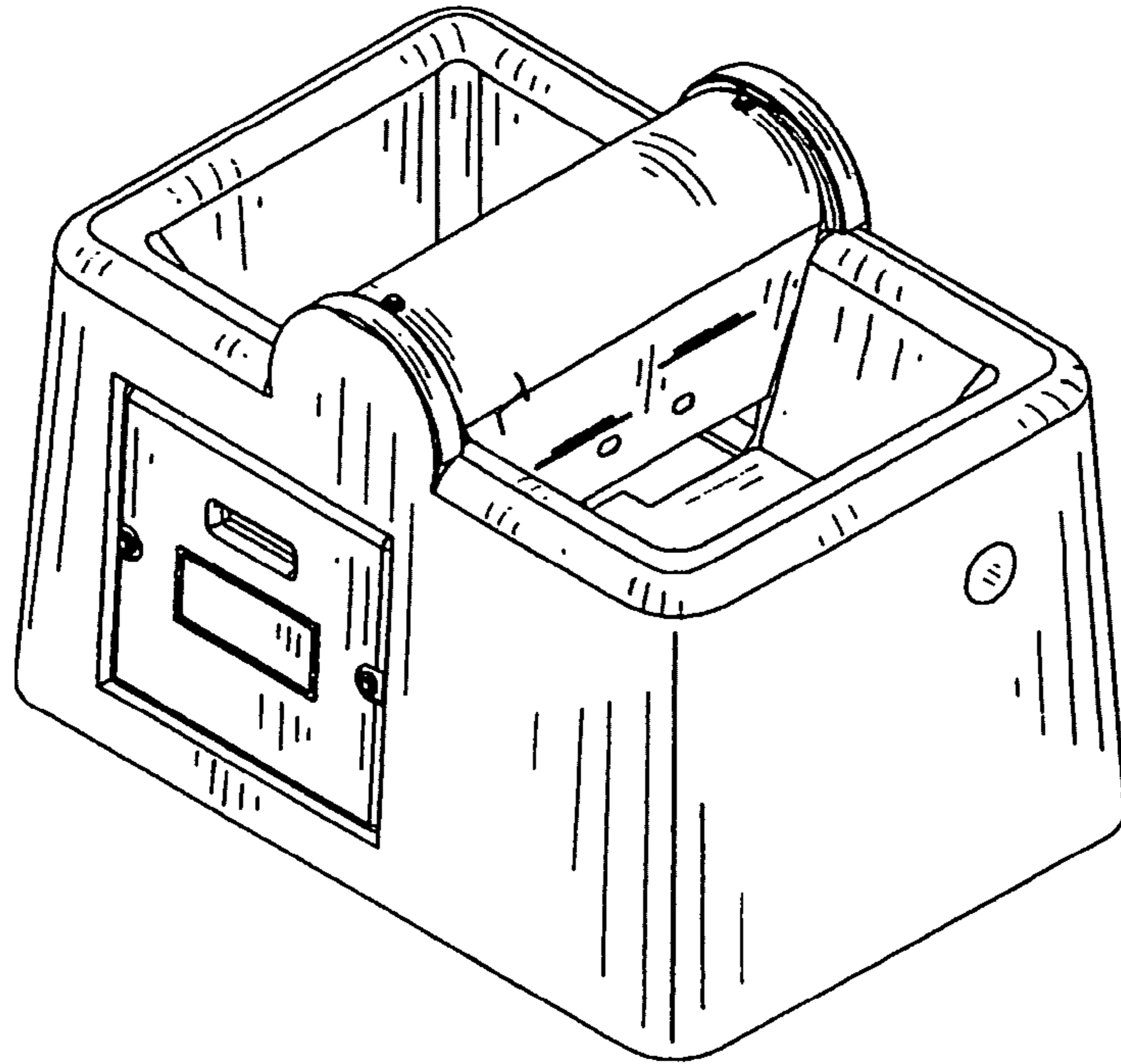


FIG. 1

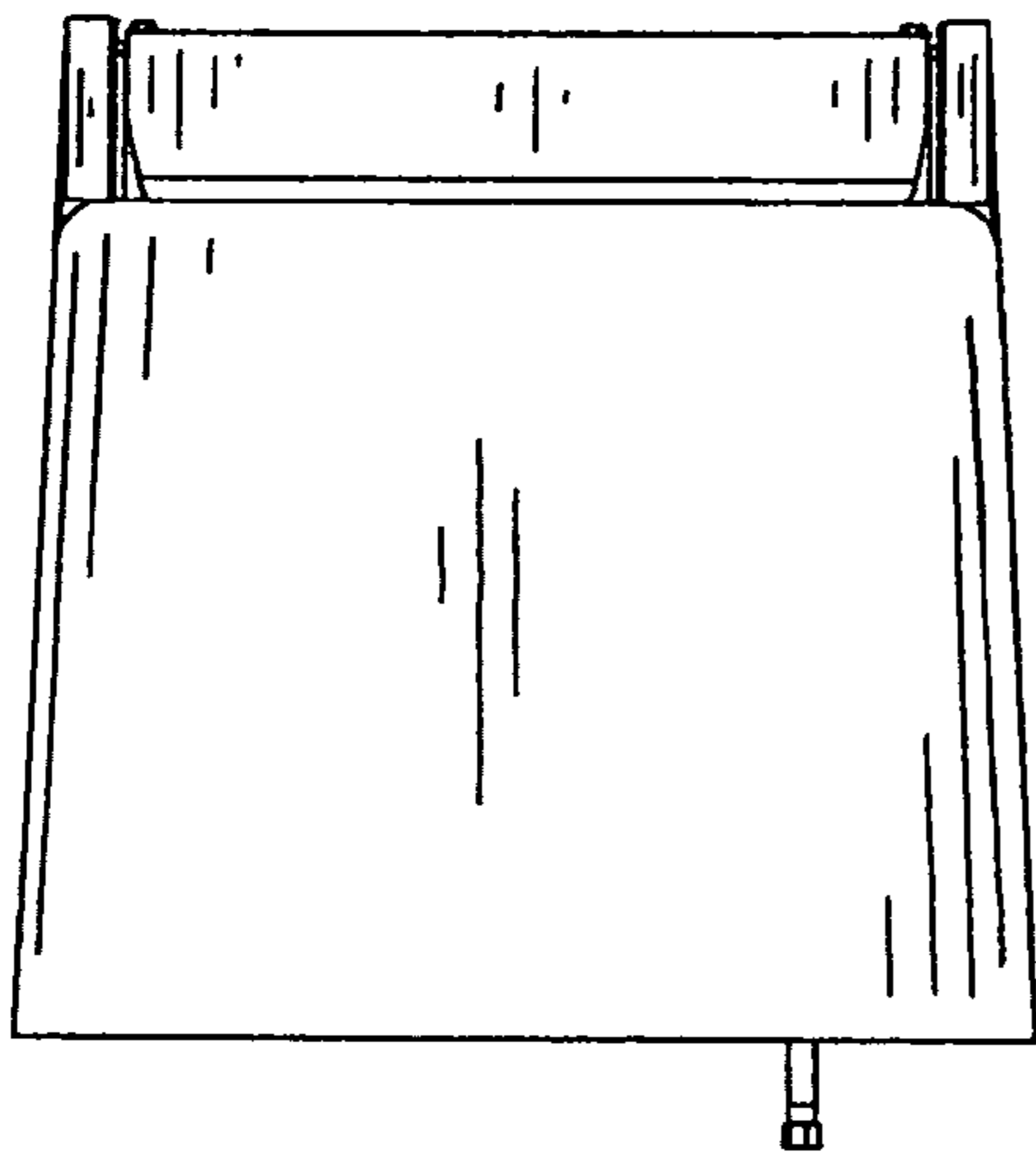


FIG. 2

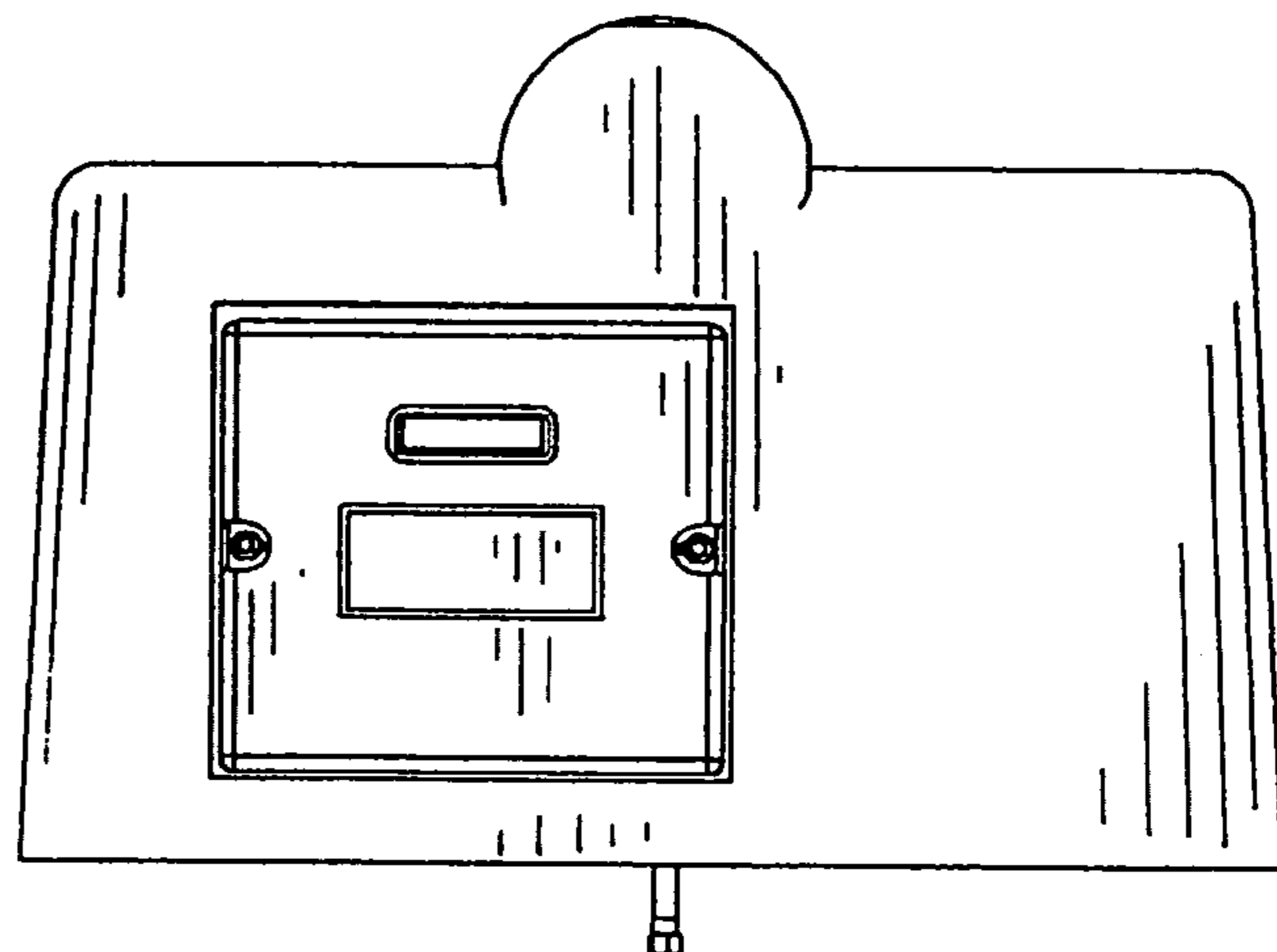


FIG. 3

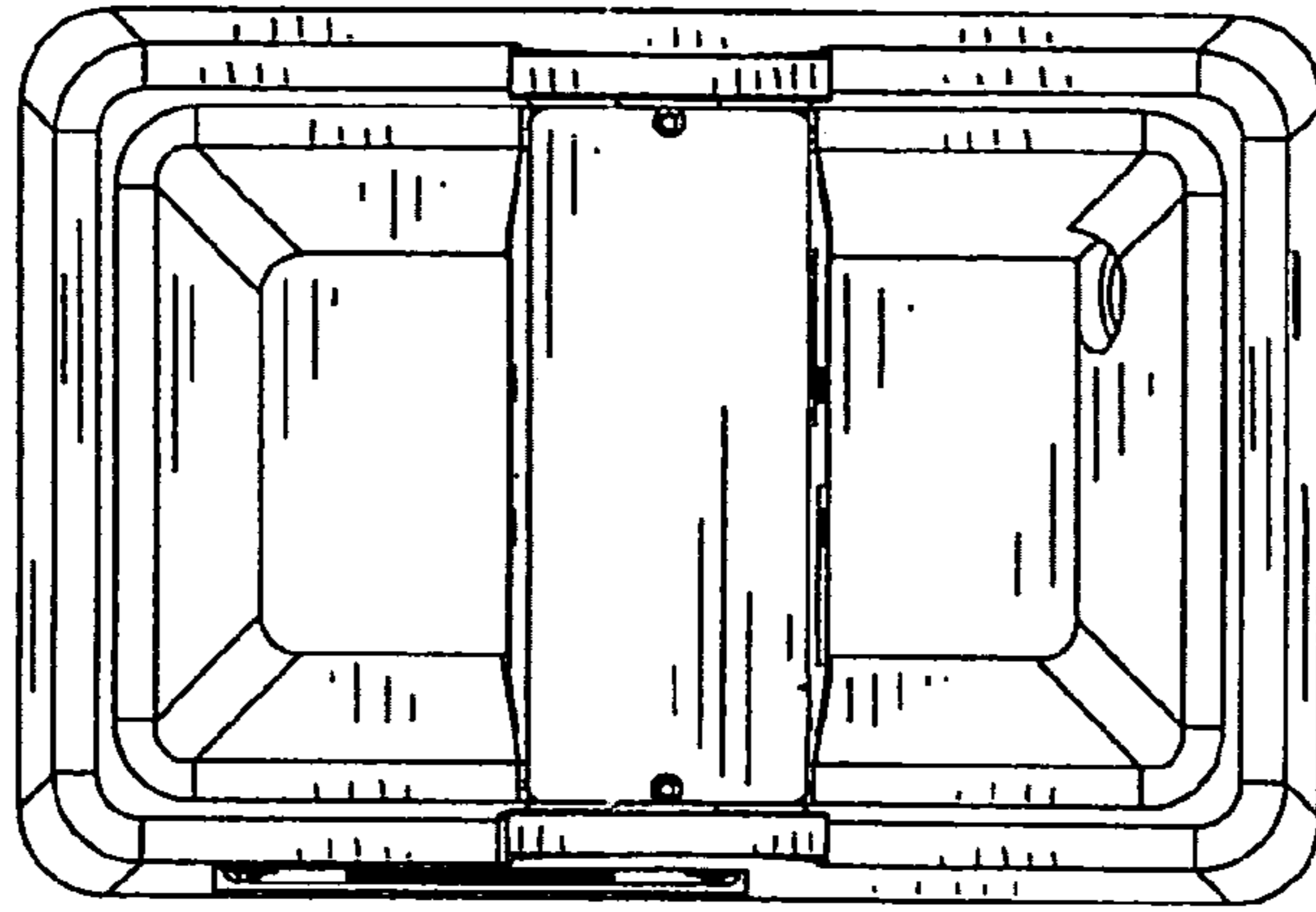


FIG. 4

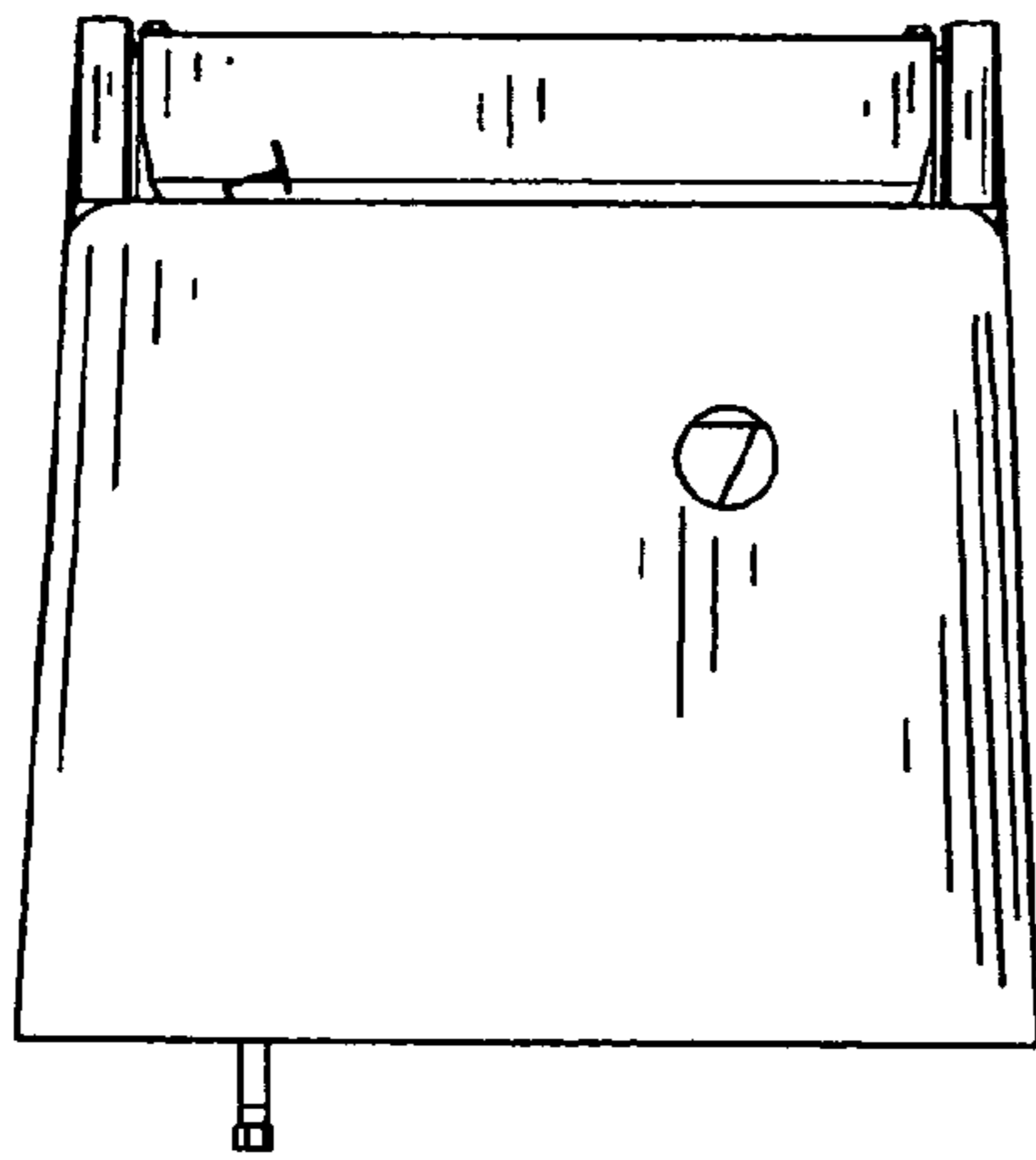


FIG. 5

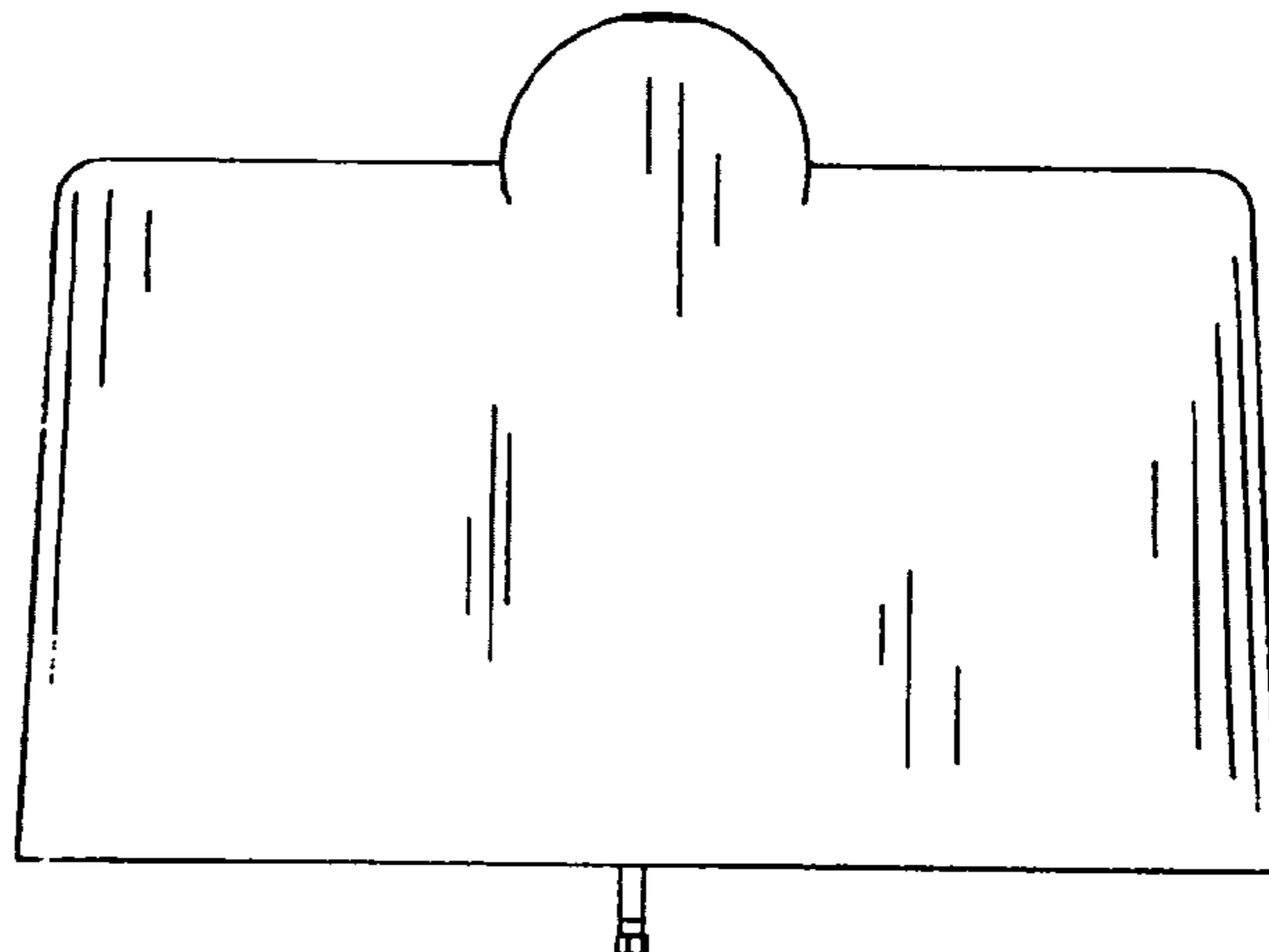


FIG. 6

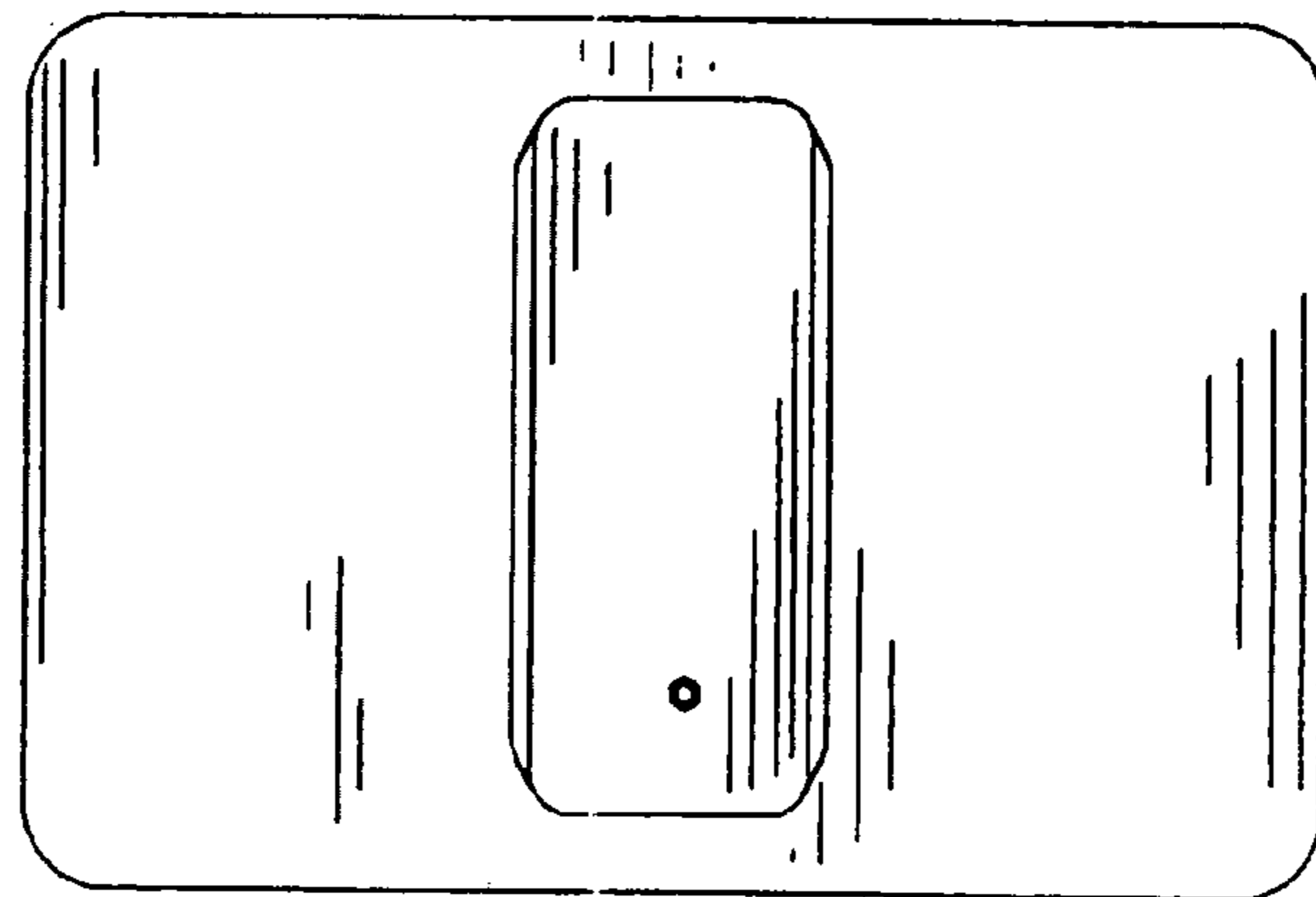


FIG. 7