



US00D555838S

(12) **United States Design Patent**
Robertson

(10) **Patent No.:** **US D555,838 S**

(45) **Date of Patent:** **** Nov. 20, 2007**

(54) **MACE GLOVE**

(76) **Inventor:** **Gerald James Robertson**, 510 Avenida Presidio, Walnut, CA (US) 91789

(**) **Term:** **14 Years**

(21) **Appl. No.:** **29/252,521**

(22) **Filed:** **Jan. 25, 2006**

(51) **LOC (8) Cl.** **02-06**

(52) **U.S. Cl.** **D29/117.1; D2/614**

(58) **Field of Classification Search** D2/610, D2/616-623; D29/113, 116.2, 117.1, 117.2, D29/118-119, 123; 2/455, 16, 19, 159, 116.1-161.8, 2/910; D32/43; D24/190

See application file for complete search history.

(56) **References Cited**

U.S. PATENT DOCUMENTS

3,629,867	A *	12/1971	Taylor	2/160
5,088,121	A *	2/1992	Wallace	2/160
D359,154	S *	6/1995	Goodson	D29/113
D369,453	S *	5/1996	Robbins	D29/113
5,768,710	A *	6/1998	Williams	2/161.1
5,943,701	A *	8/1999	Seats	2/160
5,961,003	A *	10/1999	Coryell	222/175

6,393,614	B1 *	5/2002	Eichelbaum	2/160
6,553,574	B1 *	4/2003	Hall et al.	2/160
7,058,984	B2 *	6/2006	Newman	2/161.2
2006/0010553	A1 *	1/2006	Villarreal	2/16

* cited by examiner

Primary Examiner—Robert A. Delehanty

(57) **CLAIM**

The ornamental design for a mace glove, as shown and described.

DESCRIPTION

FIG. 1 is palm side view of a mace glove showing my new design;

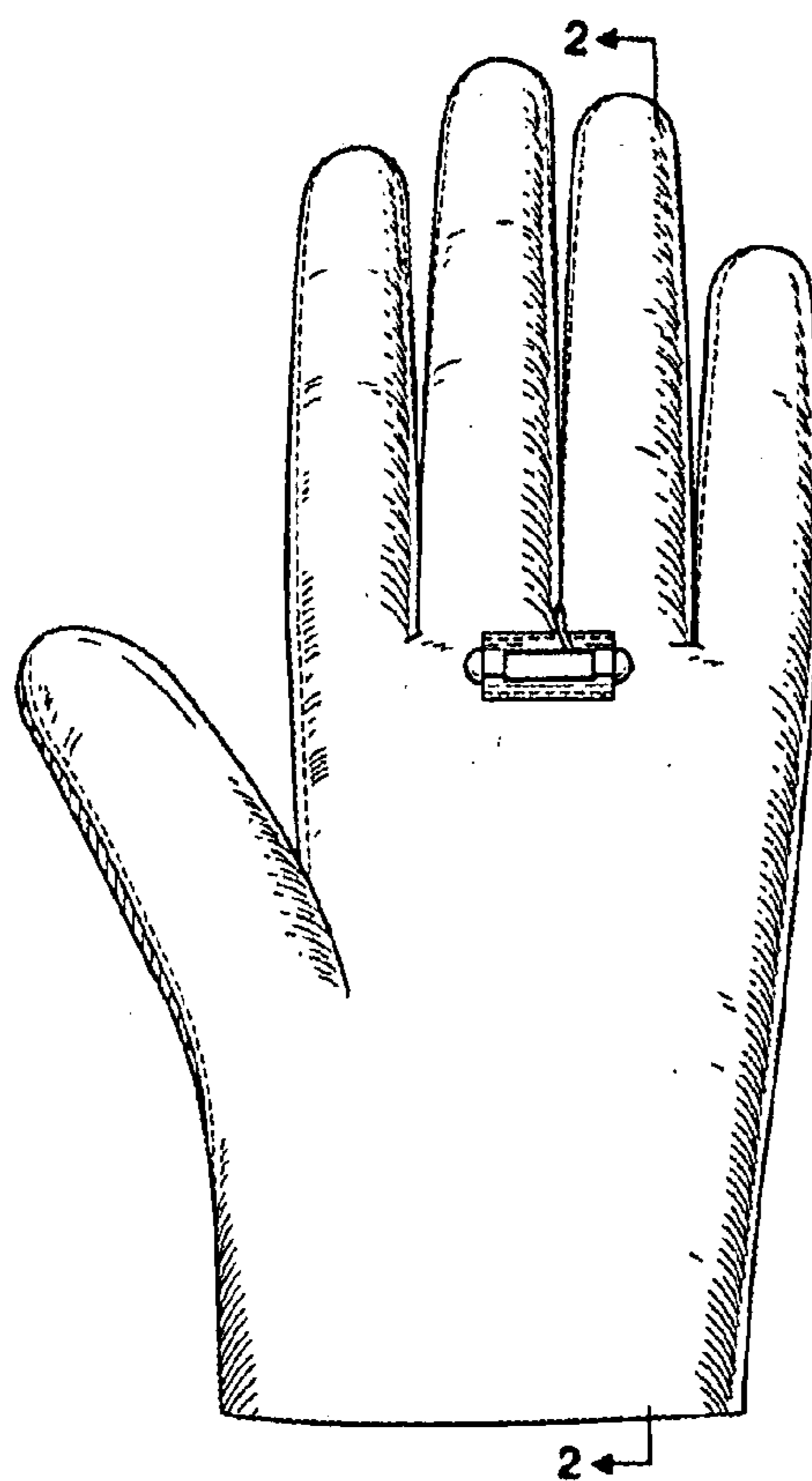
FIG. 2 is a cross sectional view on the line 2—2 of FIG. 1 showing how components are affected to glove thereof;

FIG. 3 is a top plan view thereof;

FIG. 4 is a top plan view of the glove shown in a closed fist position thereof; and,

FIG. 5 is a greatly enlarged perspective exploded sectional view thereof. The broken lines on the glove are understood to represent stitching.

1 Claim, 1 Drawing Sheet



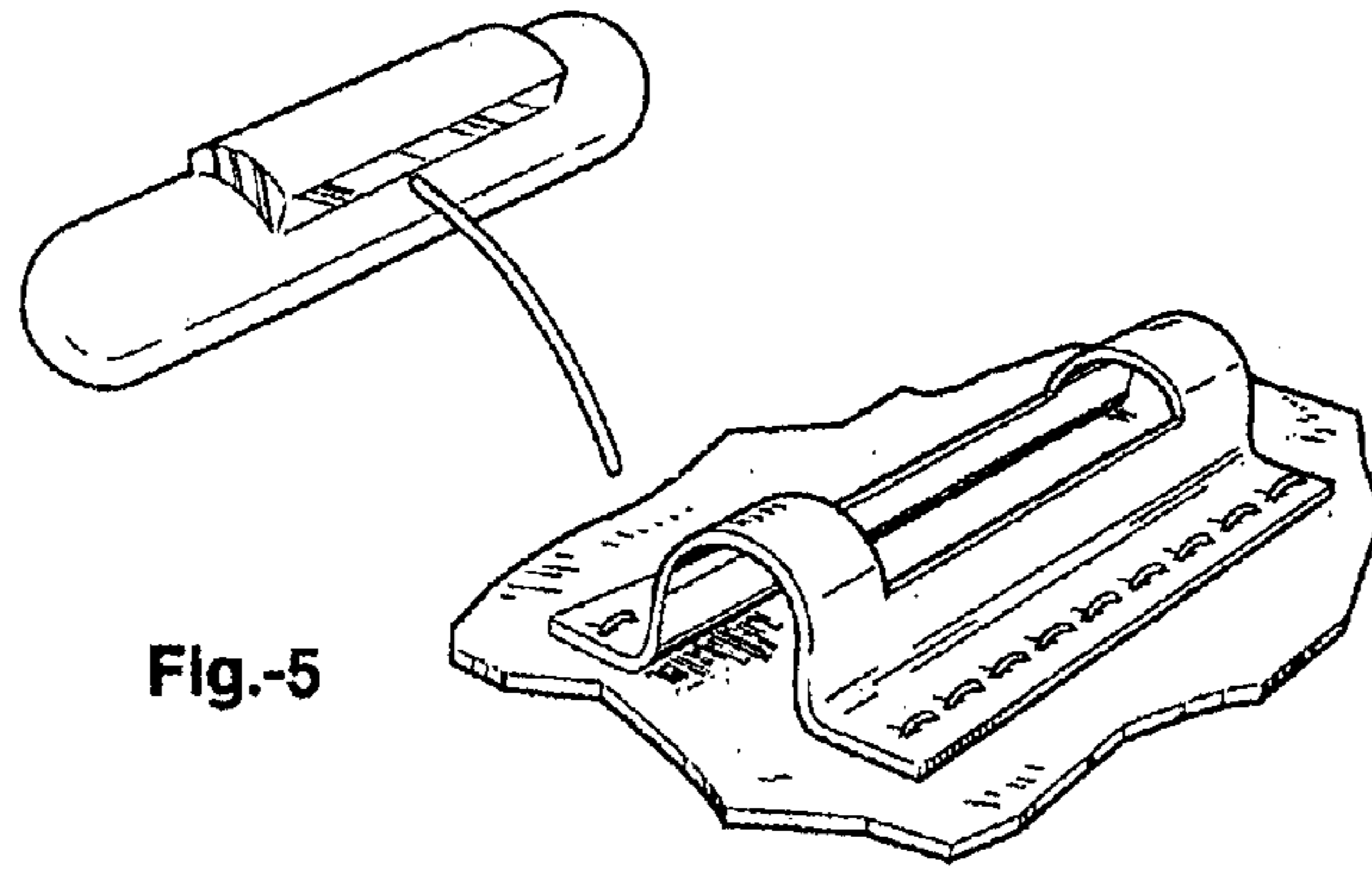


Fig.-5

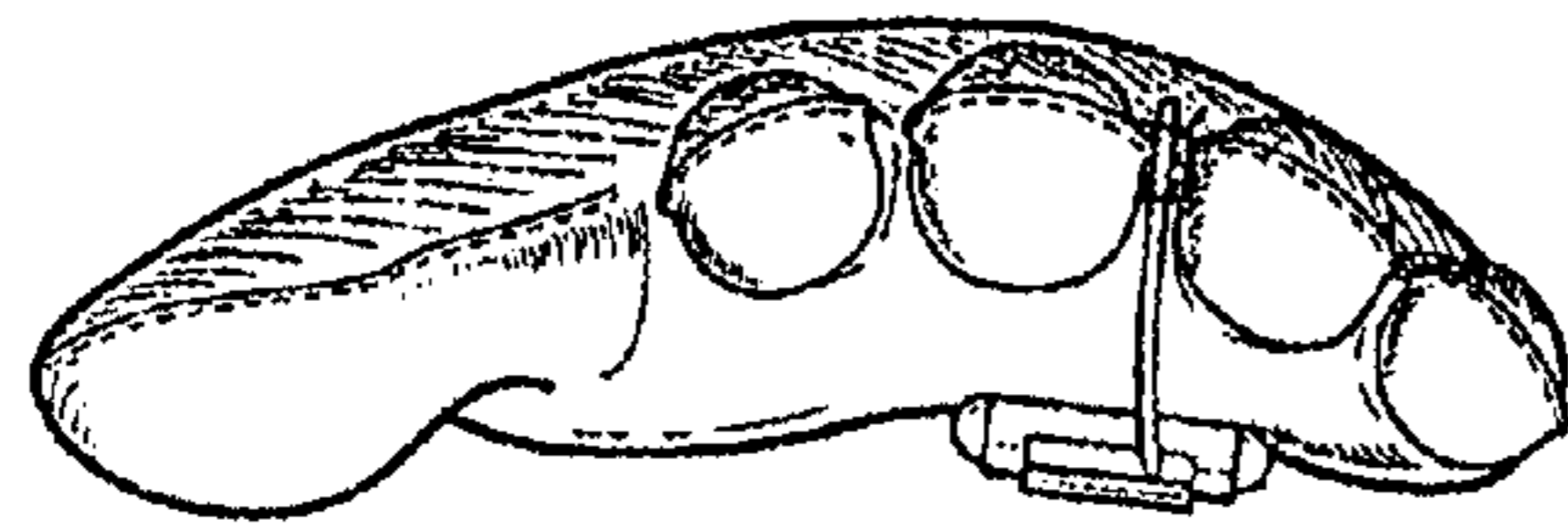


Fig.-3

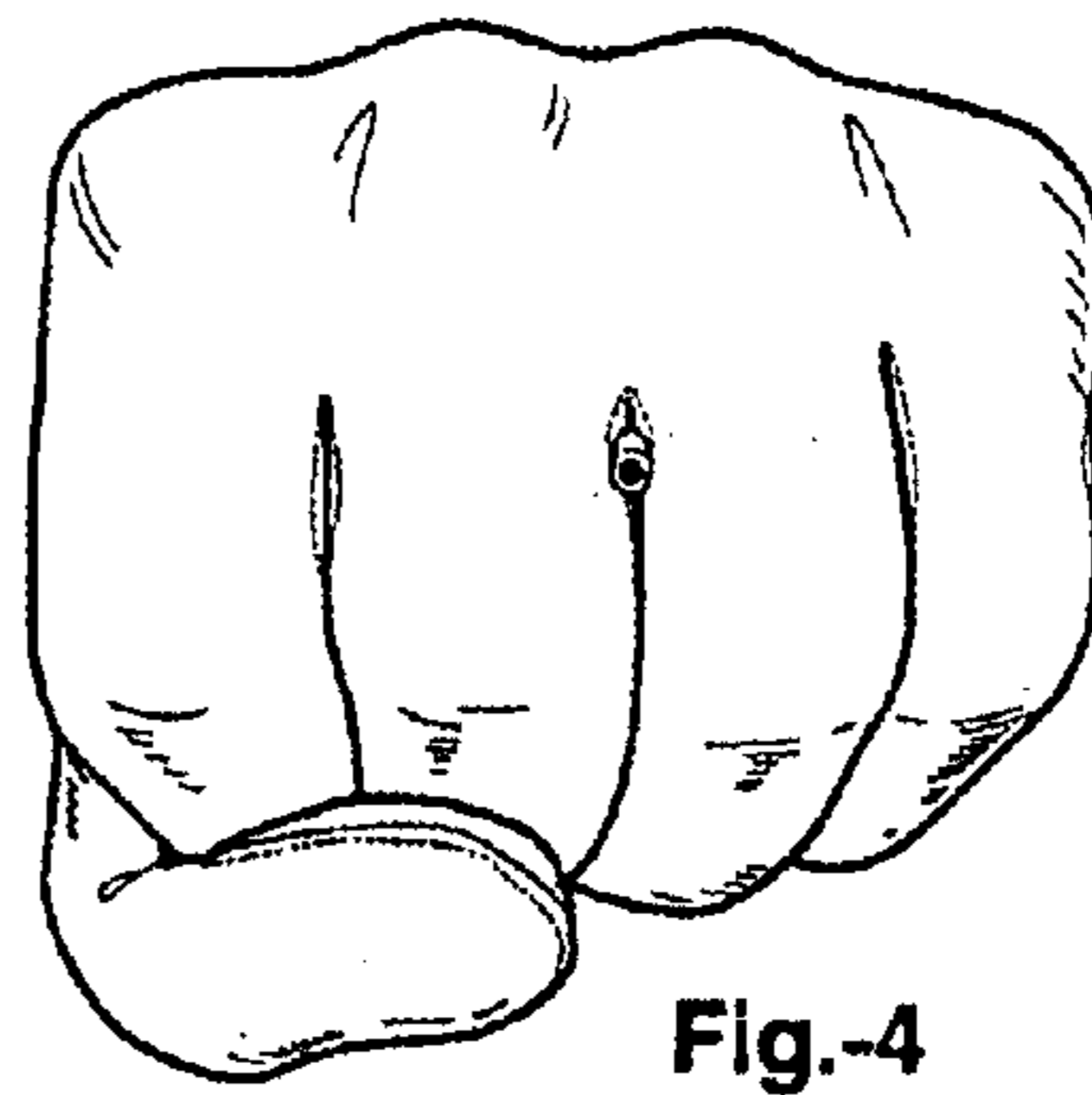


Fig.-4

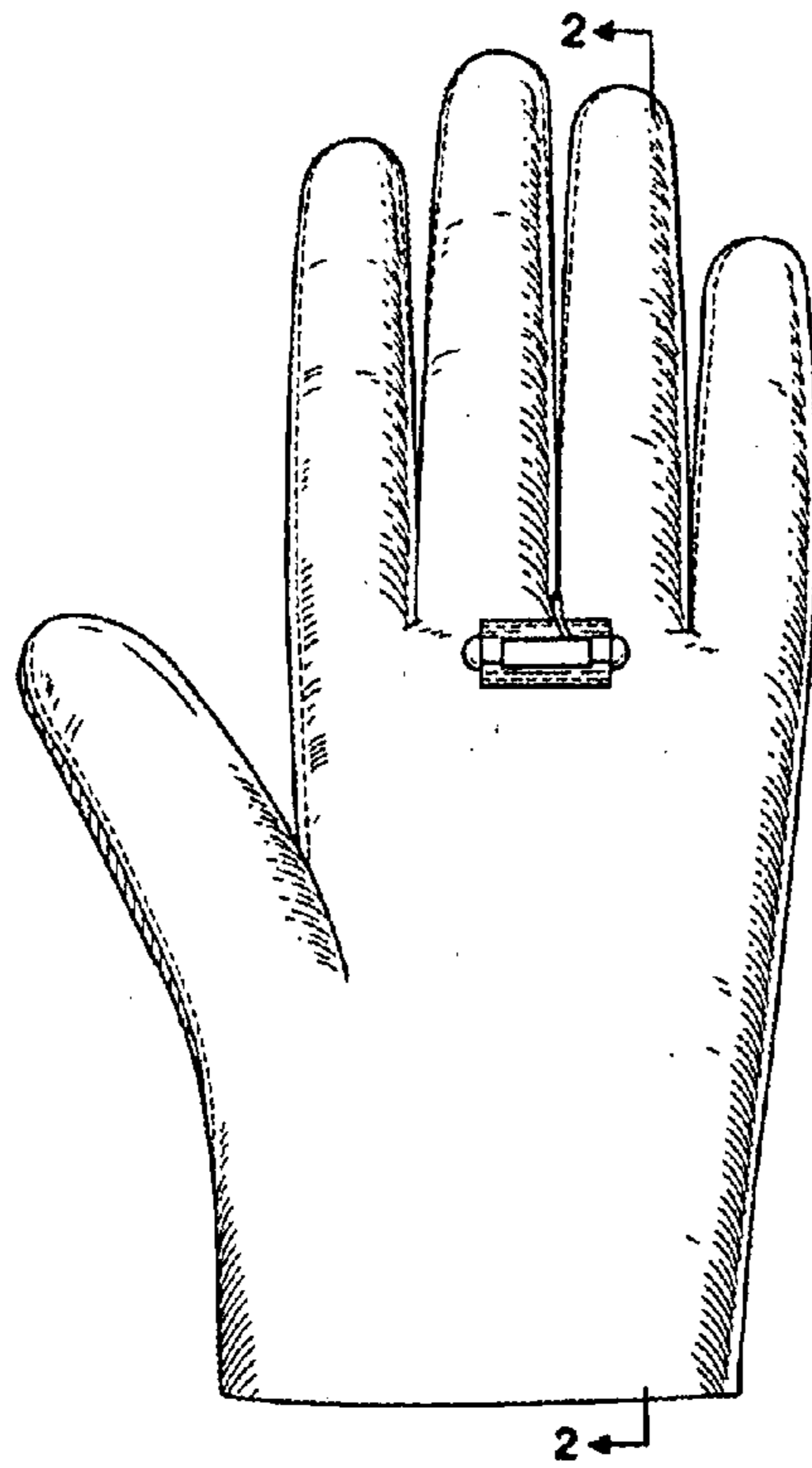


Fig.-1

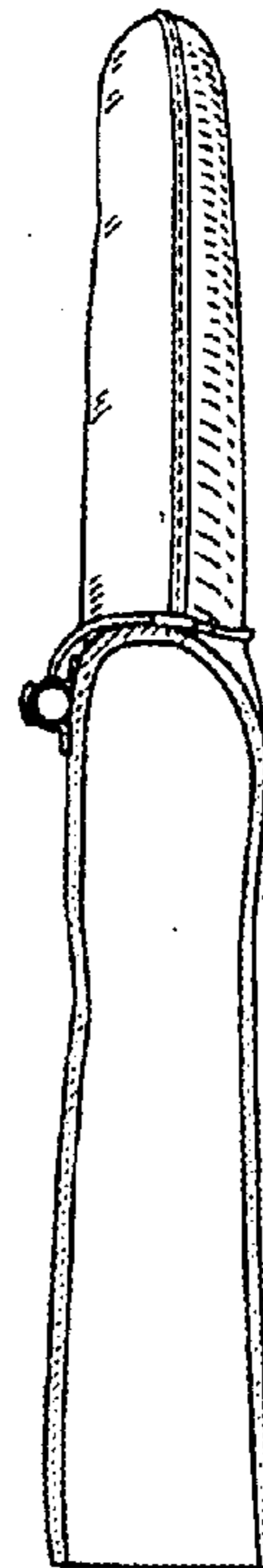


Fig.-2