



US00D555835S

(12) **United States Design Patent**
Song

(10) **Patent No.:** **US D555,835 S**

(45) **Date of Patent:** **** Nov. 20, 2007**

(54) **POWDER CONTAINER**

D532,556 S * 11/2006 Noh D28/76
D532,935 S * 11/2006 Kostow D28/76

(75) Inventor: **Ho-Suk Song**, Incheon (KR)

FOREIGN PATENT DOCUMENTS

(73) Assignee: **S&P World Ltd.** (KR)

KR 20-0341812 * 2/2004
KR 20-0358809 * 8/2004

(**) Term: **14 Years**

* cited by examiner

(21) Appl. No.: **29/234,319**

Primary Examiner—Jennifer Rivard

(22) Filed: **Jul. 18, 2005**

(74) *Attorney, Agent, or Firm*—Blakely Sokoloff Taylor & Zafman

(30) **Foreign Application Priority Data**

(57) **CLAIM**

Mar. 22, 2005 (KR) 30-2005-0009193

The ornamental design for “a powder container,” as shown and described.

(51) **LOC (8) Cl.** **28-03**

(52) **U.S. Cl.** **D28/76; D28/91; D9/504**

(58) **Field of Classification Search** D28/76–83,
D28/85–91; D9/503–504, 529; 132/293–307,
132/317, 318; 206/581, 823
See application file for complete search history.

DESCRIPTION

FIG. 1 is a perspective view of a powder container showing the new design;

FIG. 2 is a front view thereof;

FIG. 3 is a rear view thereof;

FIG. 4 is a left-side view thereof;

FIG. 5 is a right-side view thereof;

FIG. 6 is a top plan view thereof;

FIG. 7 is a bottom view thereof;

FIG. 8 is a cross-sectional view taken along line 8—8 in FIG. 6; and,

FIG. 9 is a perspective view showing the powder container taken apart.

(56) **References Cited**

U.S. PATENT DOCUMENTS

D24,991 S * 12/1895 Estes D9/504
6,009,885 A * 1/2000 Nam 132/293
D446,456 S * 8/2001 Adachi et al. D9/529
D480,307 S * 10/2003 Canamasas Puigbo D9/504
D485,017 S * 1/2004 Noh D28/76
D486,392 S * 2/2004 Chuang D9/503
D493,721 S * 8/2004 Puigbo D9/504
D499,648 S * 12/2004 Lewis et al. D9/501
D504,542 S * 4/2005 Noh D28/76
D505,074 S * 5/2005 Bakic D9/504
D510,024 S * 9/2005 Jacober et al. D9/502

1 Claim, 6 Drawing Sheets

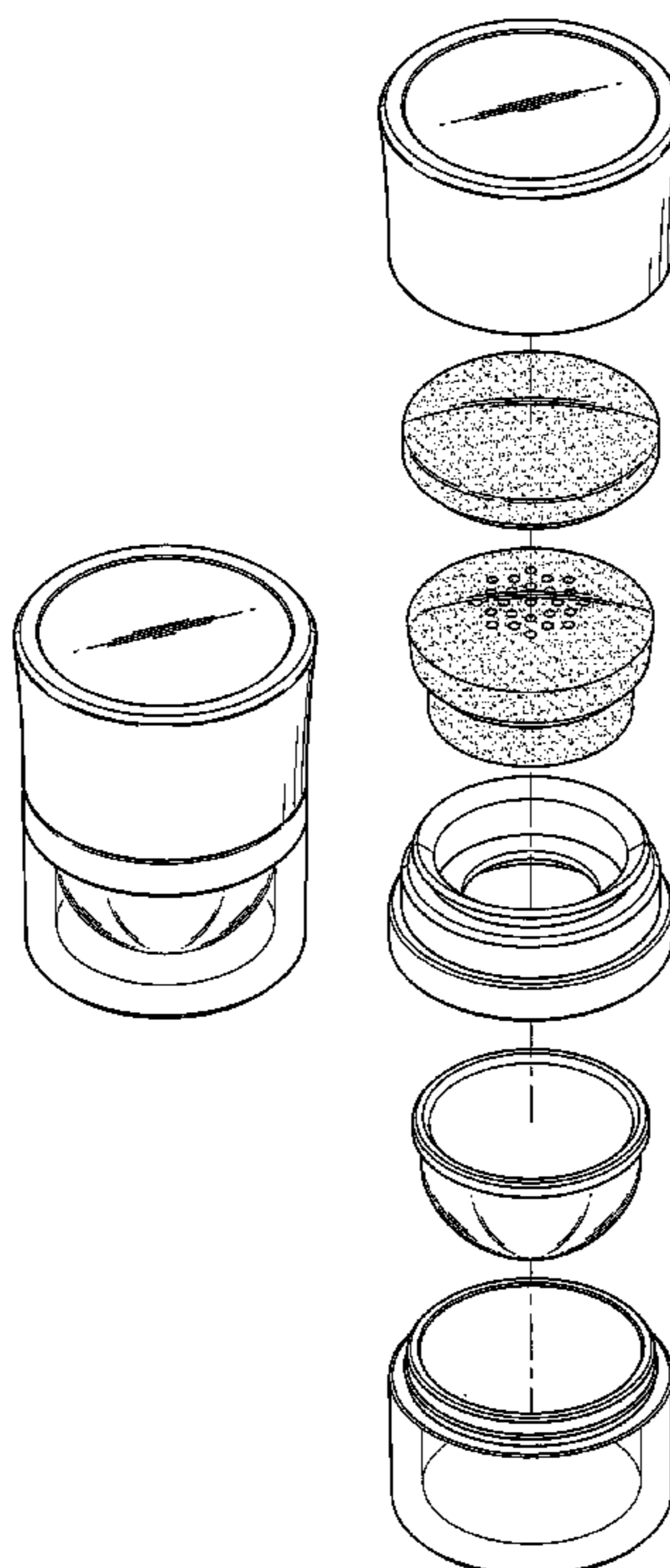


FIG. 1

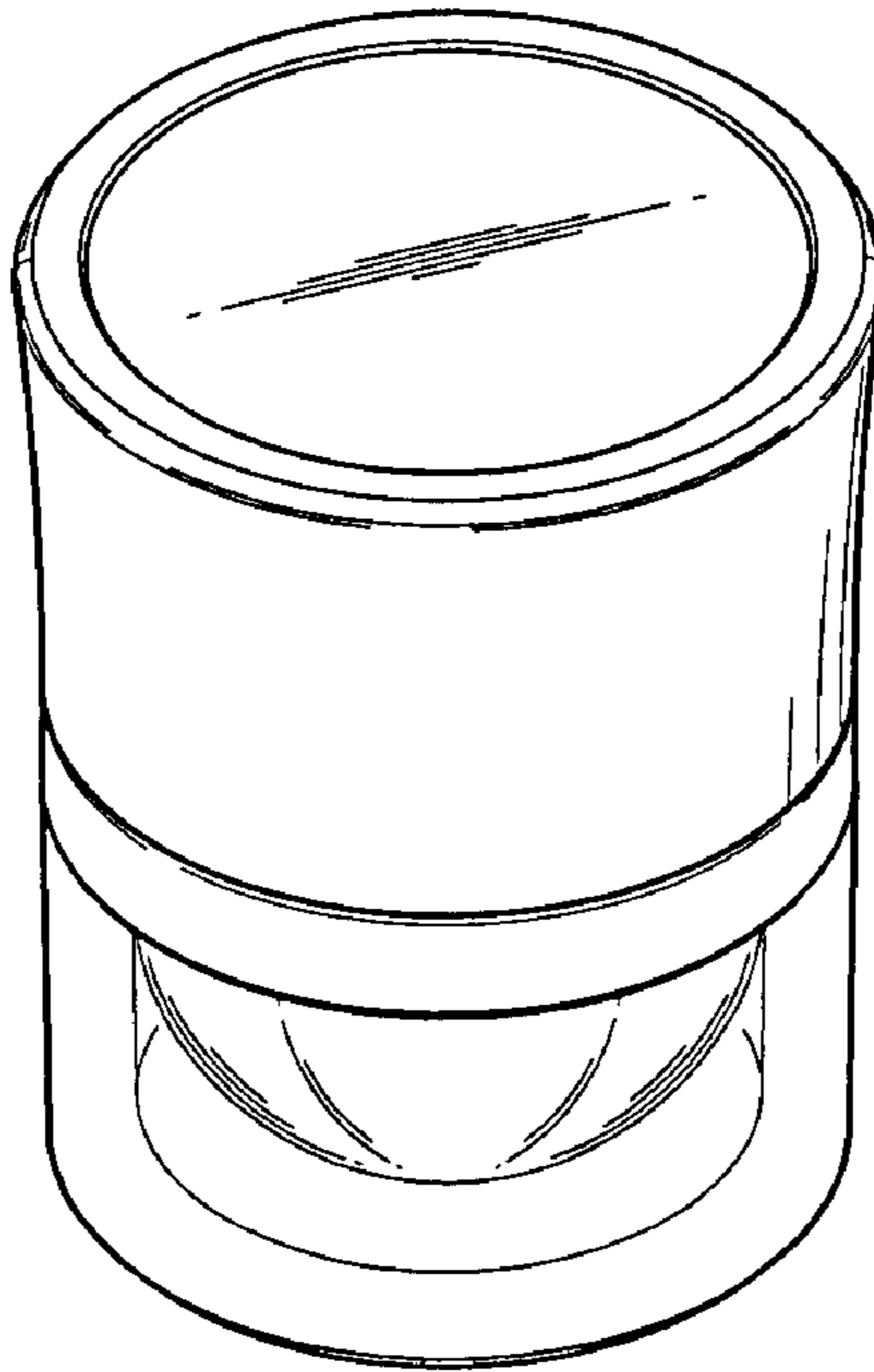


FIG. 2

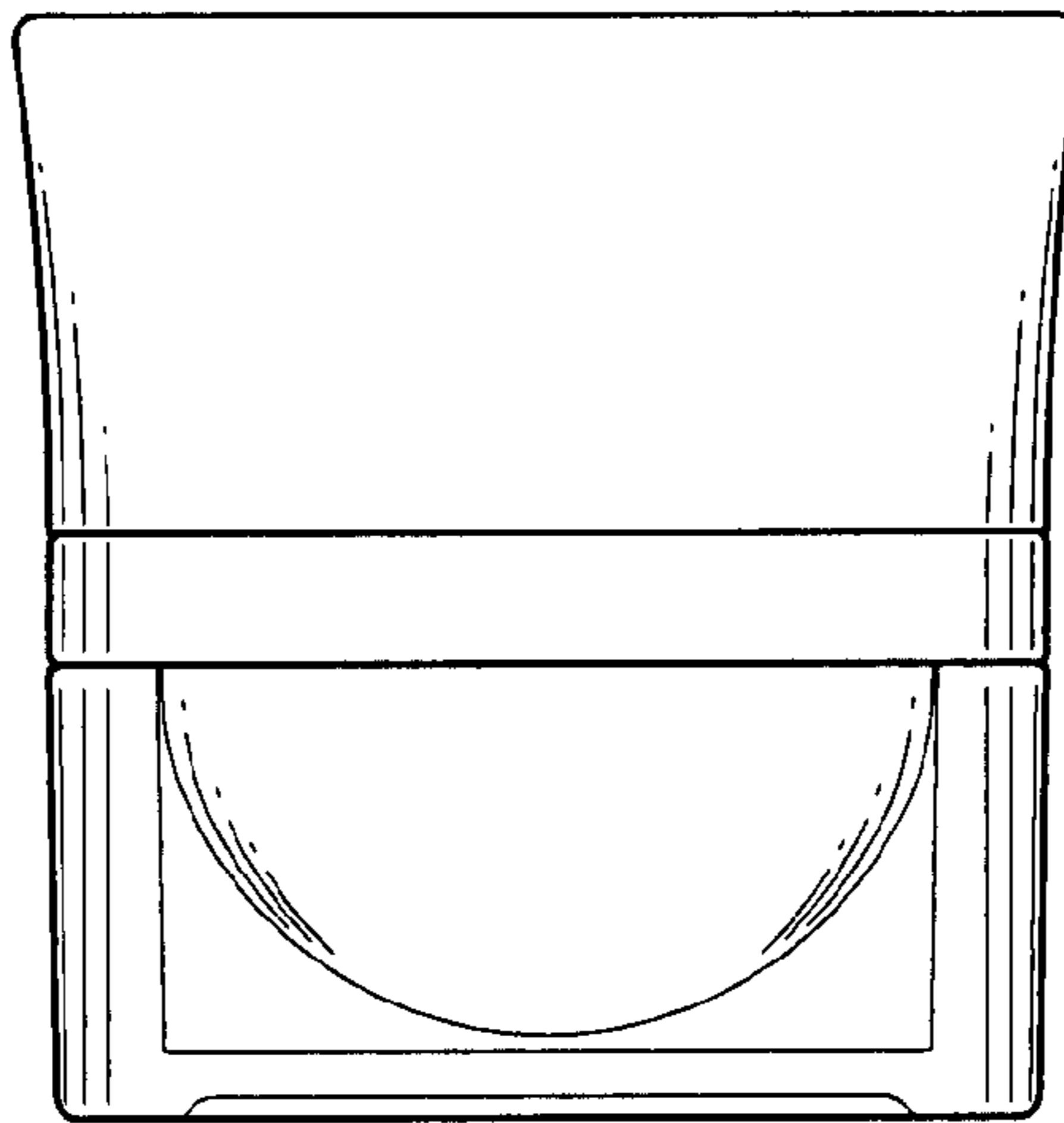


FIG. 3

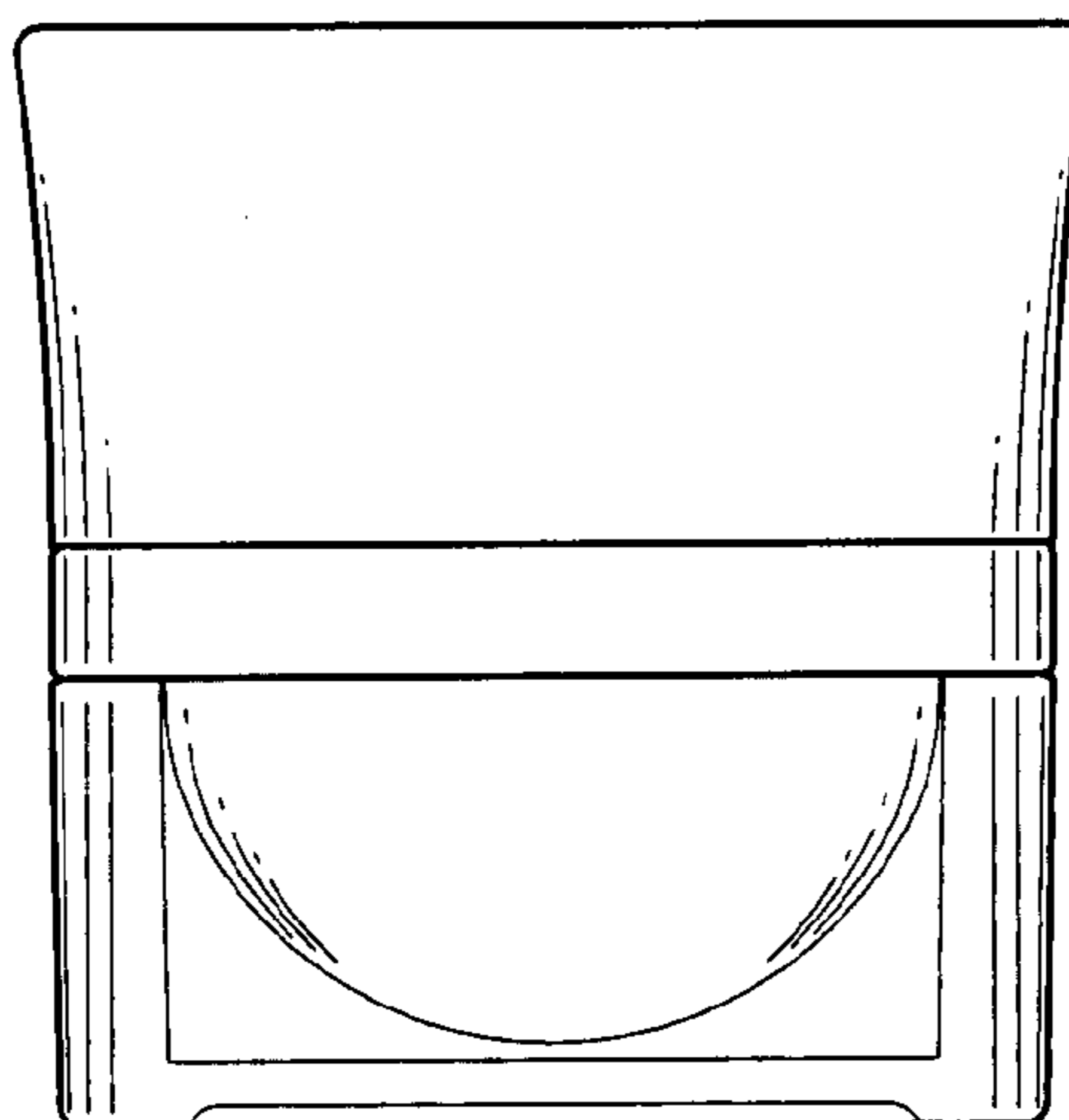


FIG. 4

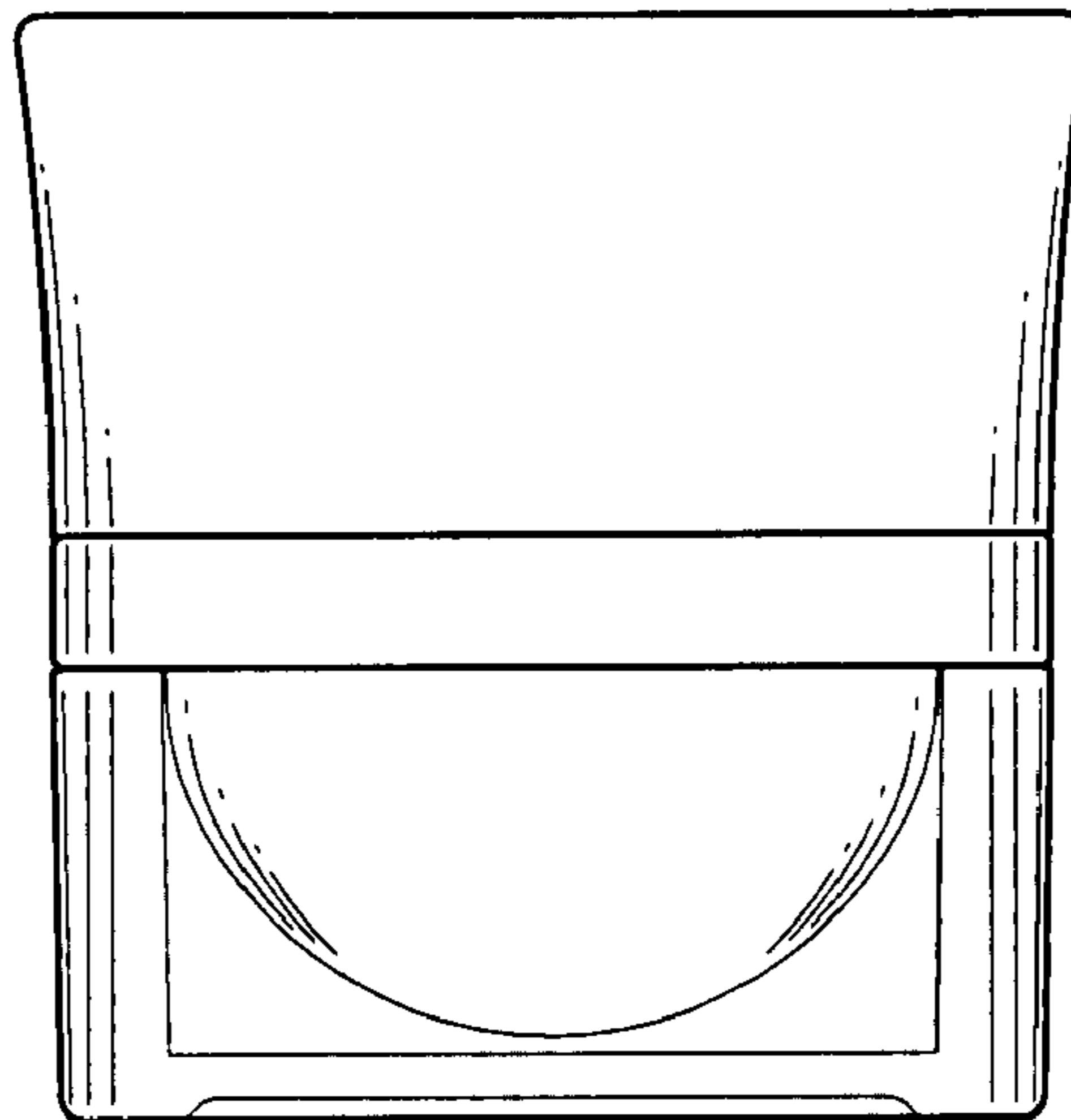


FIG. 5

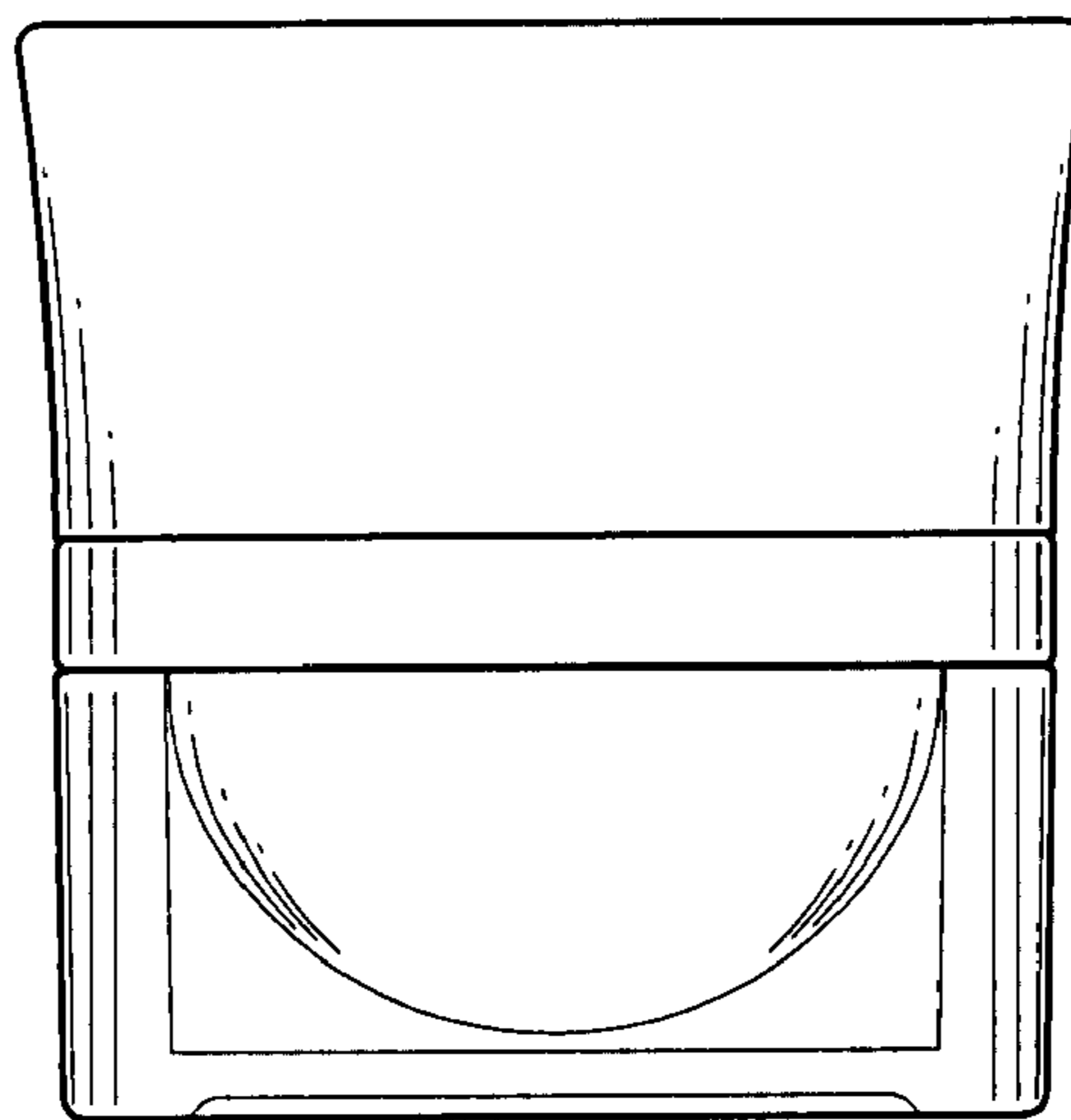


FIG. 6

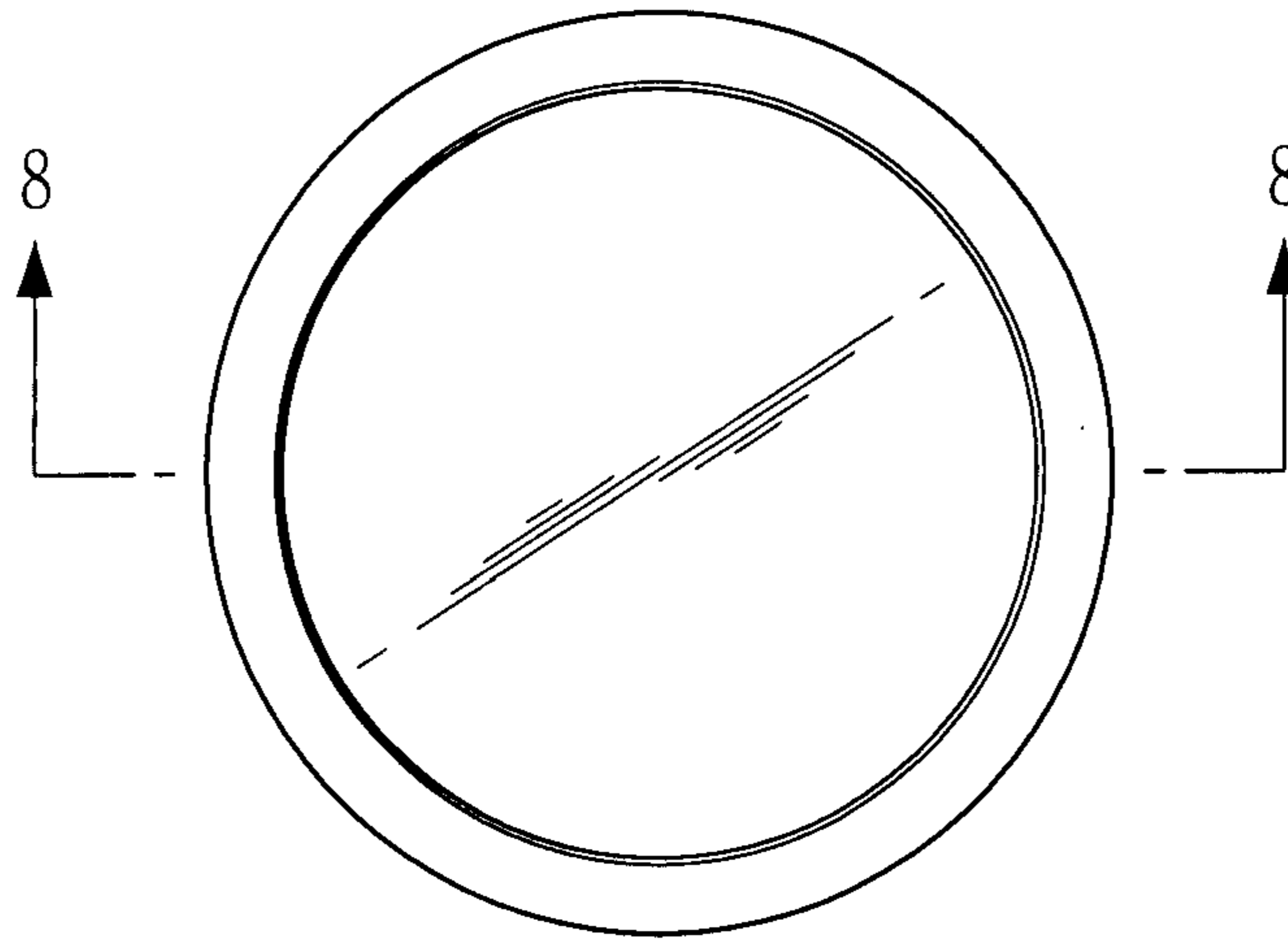


FIG. 7

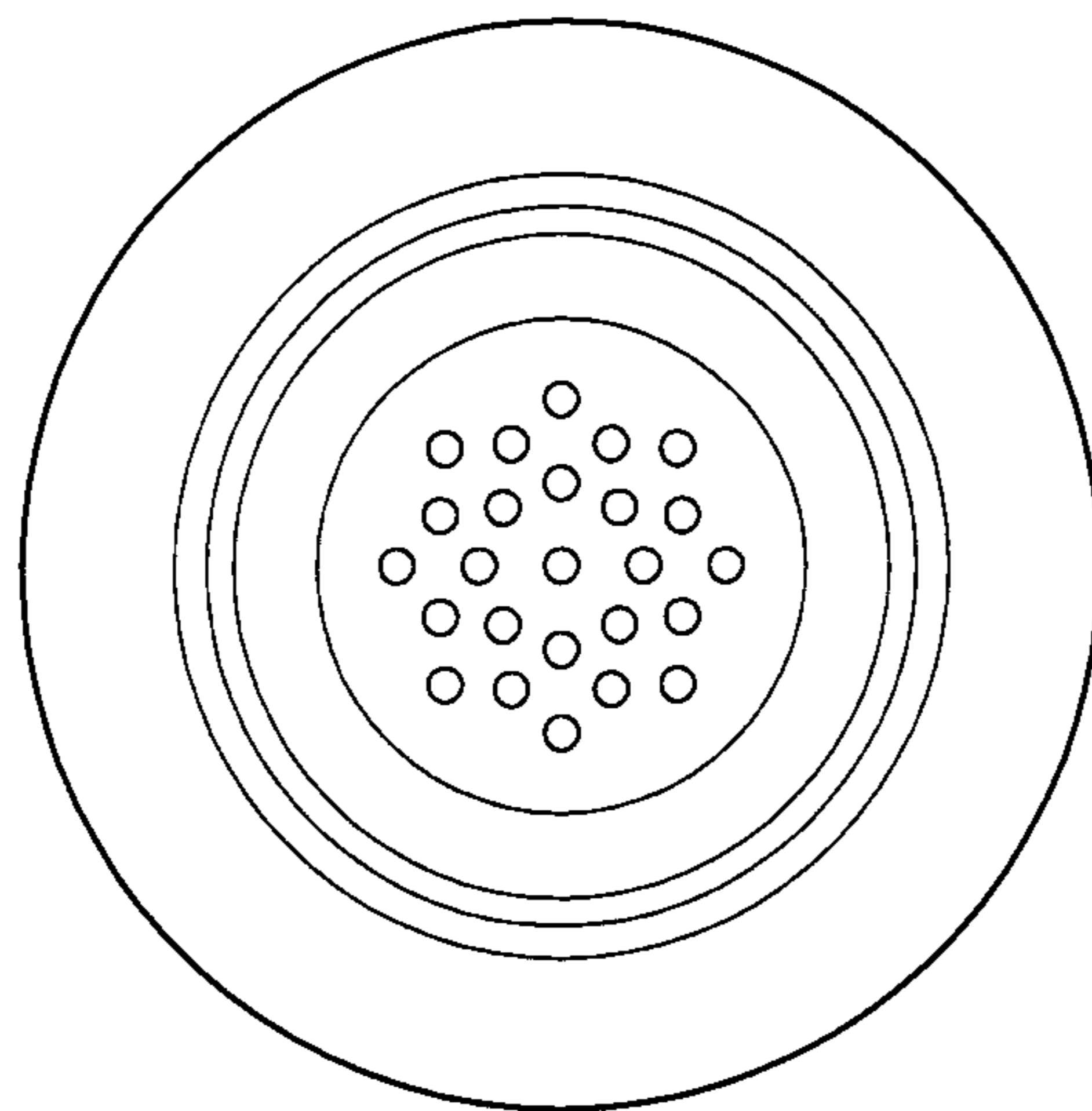


FIG. 8

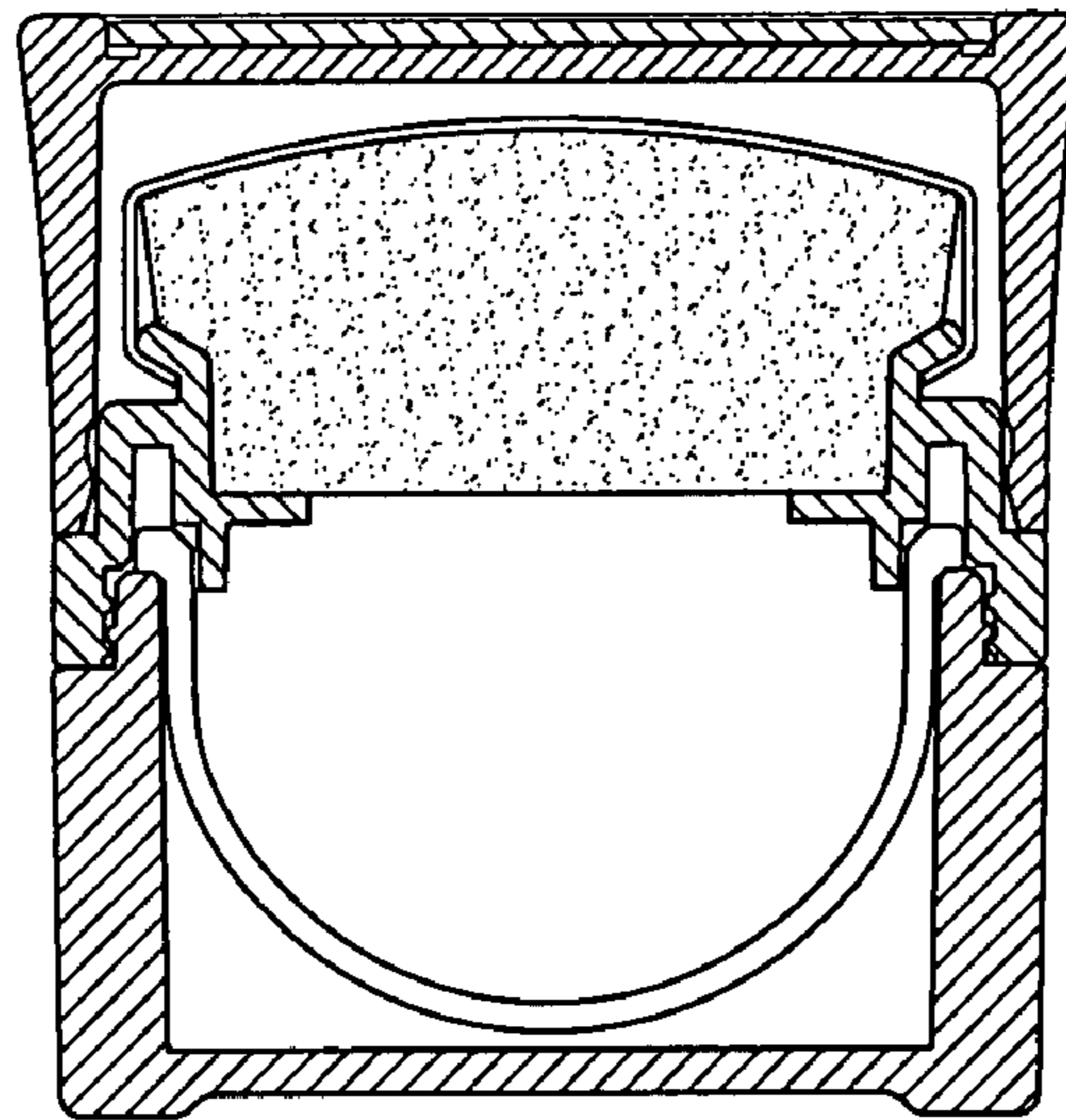


FIG. 9

