



US00D555834S

(12) **United States Design Patent**  
**Rhoad et al.**

(10) **Patent No.:** **US D555,834 S**

(45) **Date of Patent:** **\*\* Nov. 20, 2007**

(54) **RAZOR HANDLE**

(75) Inventors: **Wes Rhoad**, Hamden, CT (US);  
**Nathan Venskytis**, West Haven, CT (US)

(73) Assignee: **Eveready Battery Company, Inc.**, St. Louis, MO (US)

(\*\*) Term: **14 Years**

(21) Appl. No.: **29/273,770**

(22) Filed: **Mar. 12, 2007**

(51) **LOC (8) Cl.** ..... **28-03**

(52) **U.S. Cl.** ..... **D28/47**

(58) **Field of Classification Search** ..... D28/44.1-48;  
30/32, 34.05, 34.1, 34.2, 41-41.8, 44-45,  
30/47-51, 53-58, 526-533

See application file for complete search history.

(56) **References Cited**

**U.S. PATENT DOCUMENTS**

- D491,311 S \* 6/2004 Follo ..... D28/48
- D534,316 S \* 12/2006 Bozikis et al. .... D28/48
- D541,474 S \* 4/2007 Psimadas et al. .... D28/48

D547,904 S \* 7/2007 Wonderley et al. .... D28/48  
2004/0216311 A1\* 11/2004 Follo ..... 30/526

\* cited by examiner

*Primary Examiner*—Jennifer Rivard

(74) *Attorney, Agent, or Firm*—Michaud-Duffy Group LLP

(57) **CLAIM**

We claim the ornamental design for the razor handle, as shown and described.

**DESCRIPTION**

FIG. 1 is a top isometric view of the razor handle.

FIG. 2 is a bottom isometric view of the razor handle.

FIG. 3 is a bottom view of the razor handle.

FIG. 4 is a plan view of the razor handle.

FIG. 5 is a left side view of FIG. 4.

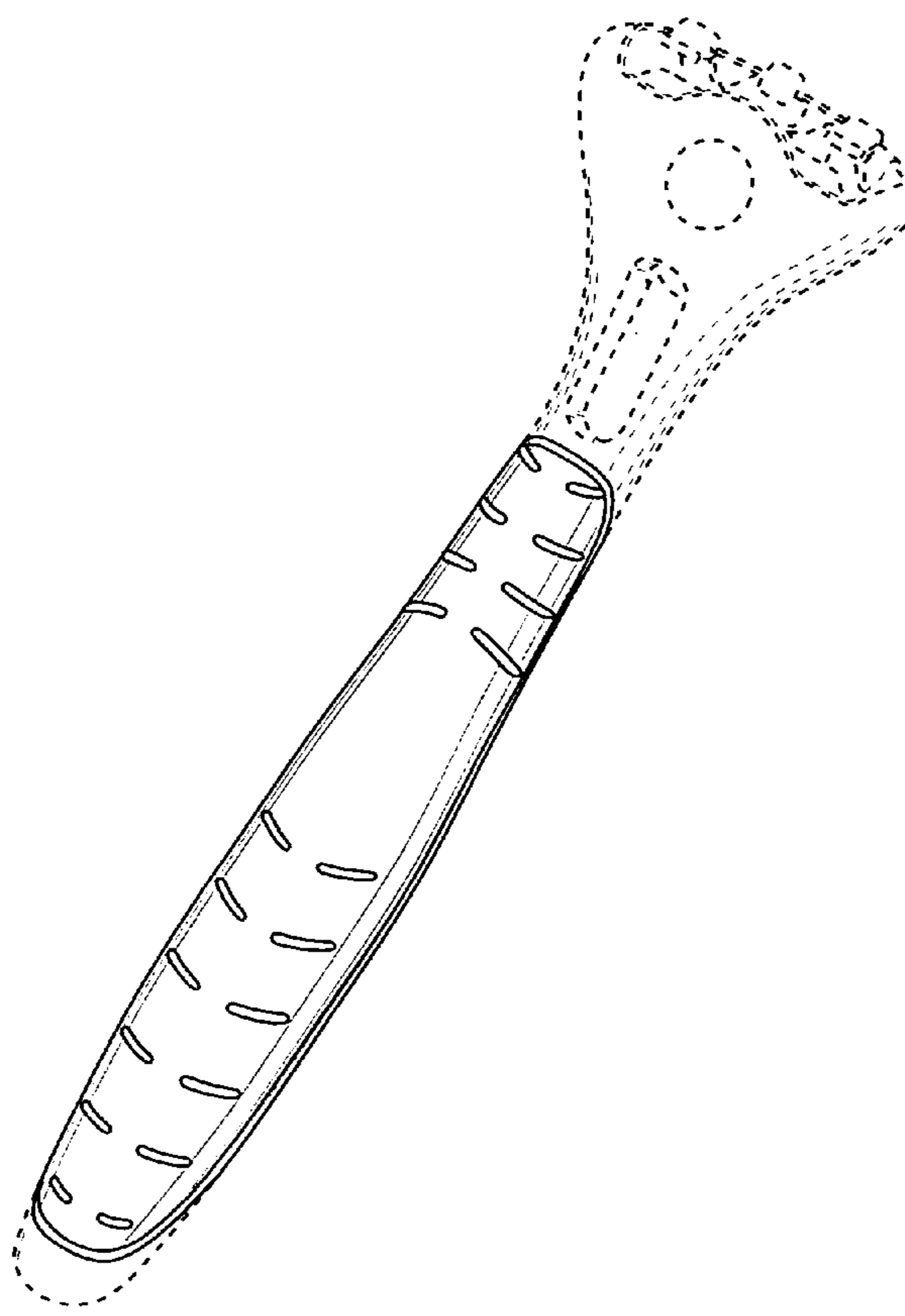
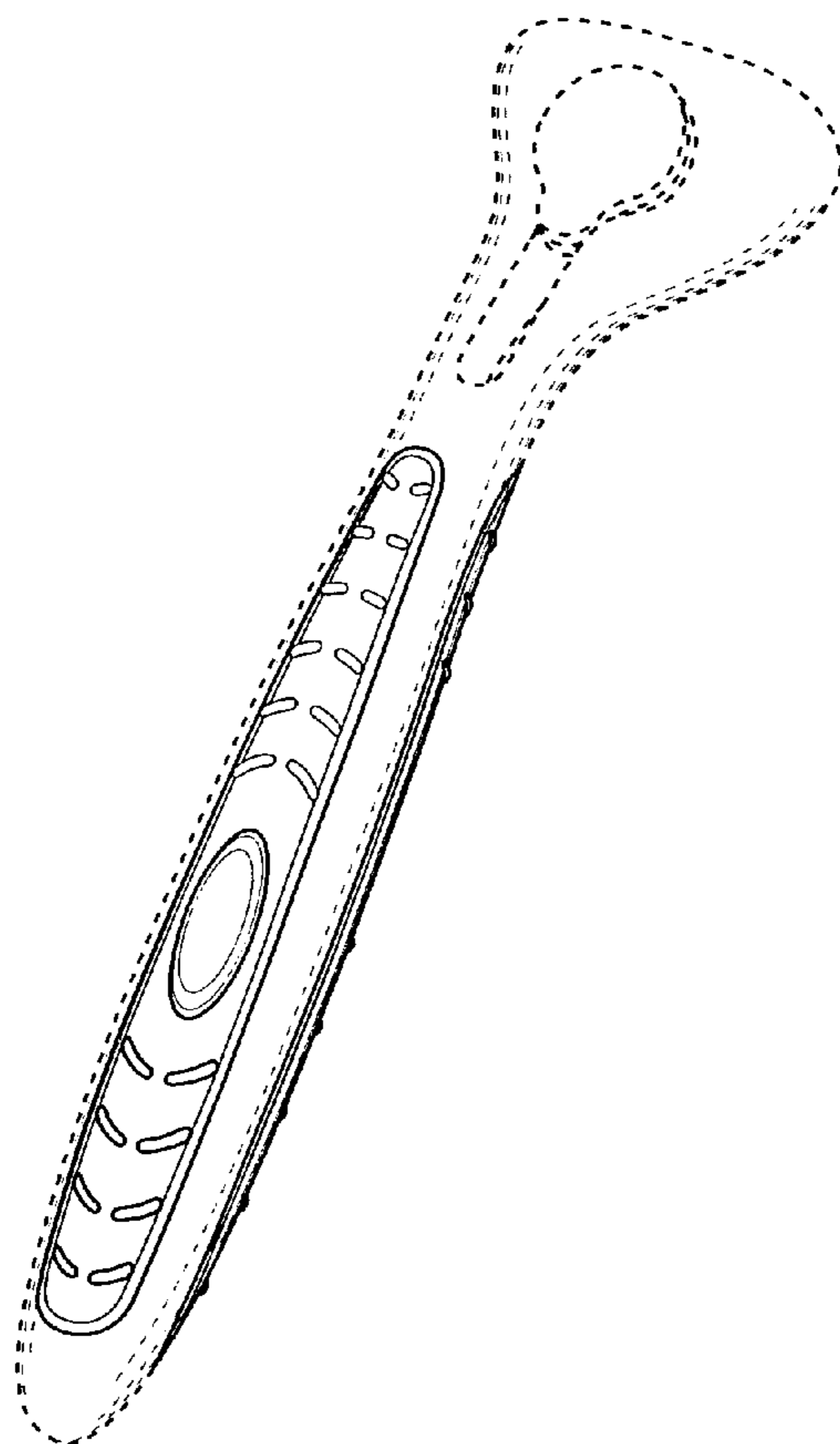
FIG. 6 is a right side view of FIG. 4.

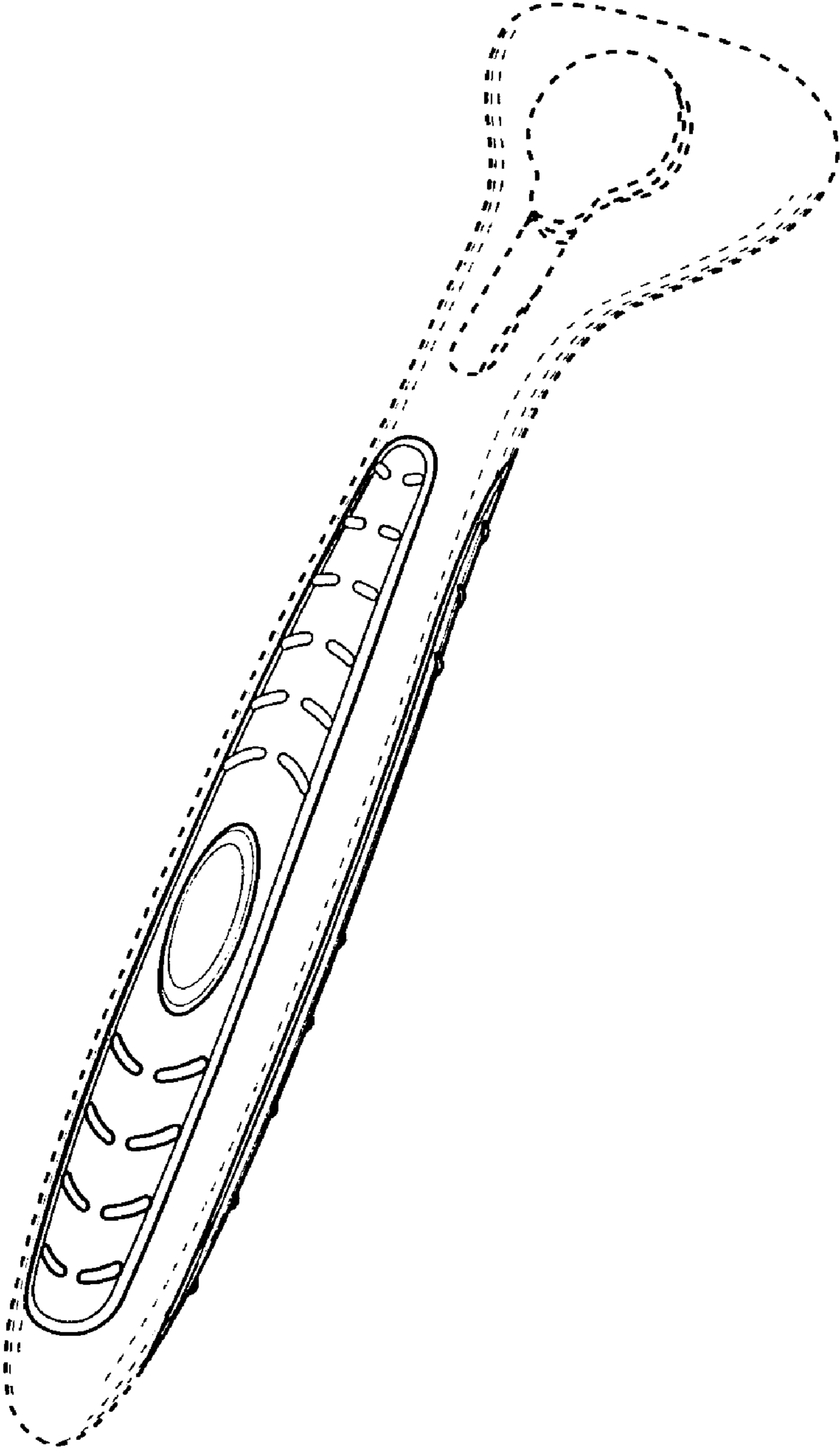
FIG. 7 is an upper end view of FIG. 4; and,

FIG. 8 is a lower end view of FIG. 4.

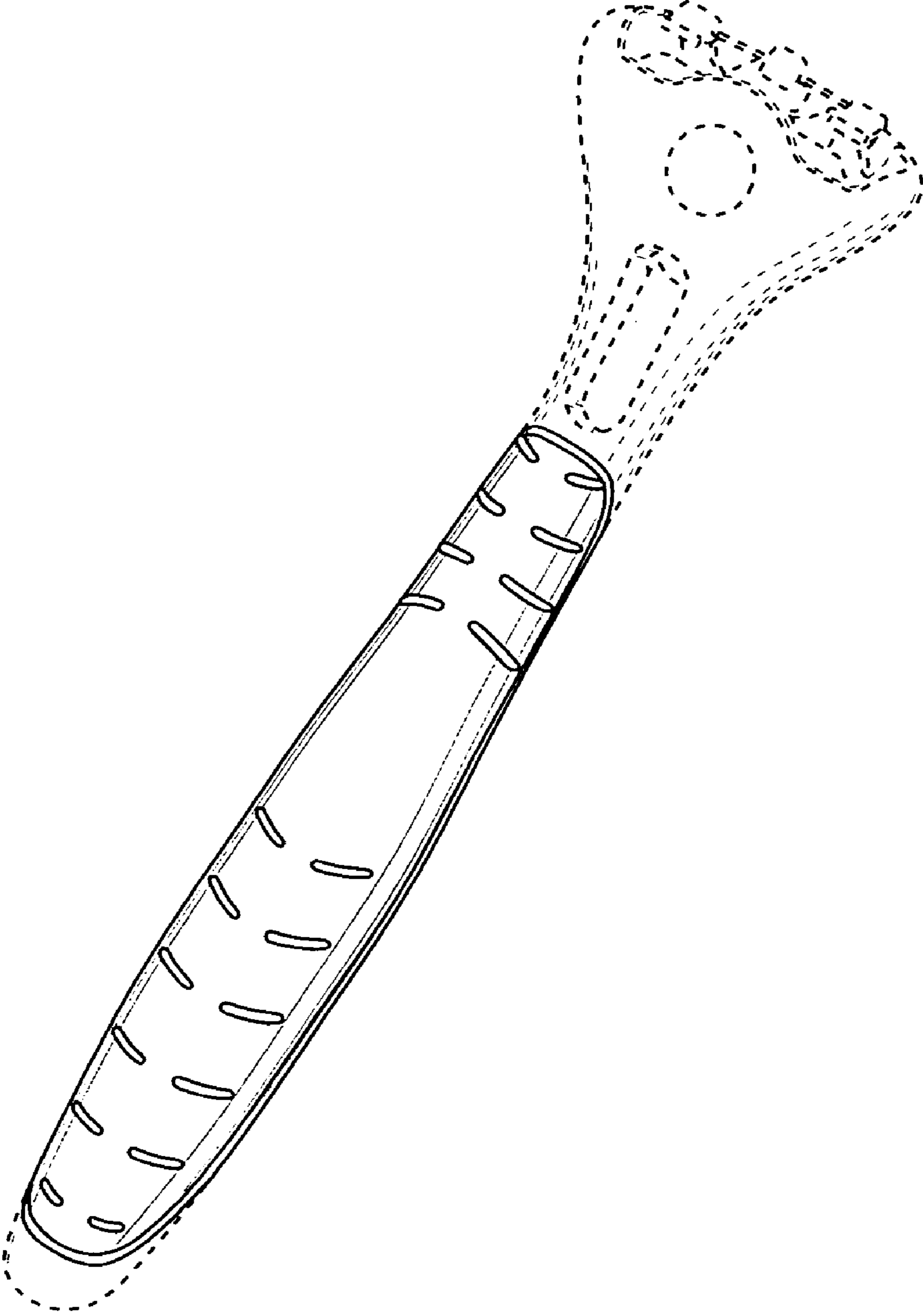
The broken lines are shown for illustrative purposes only and form no part of the claimed design.

**1 Claim, 5 Drawing Sheets**

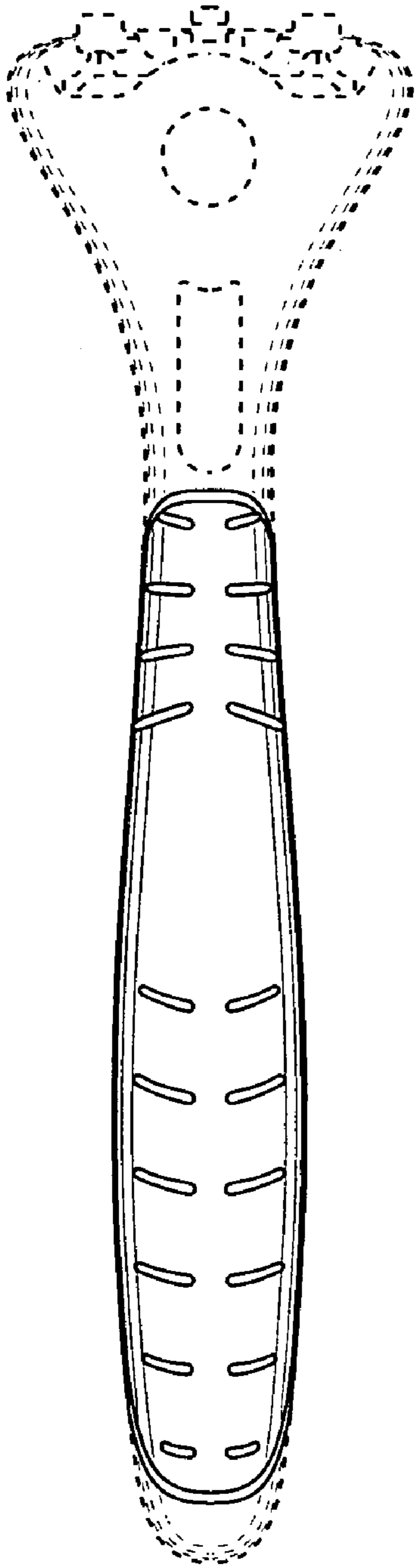




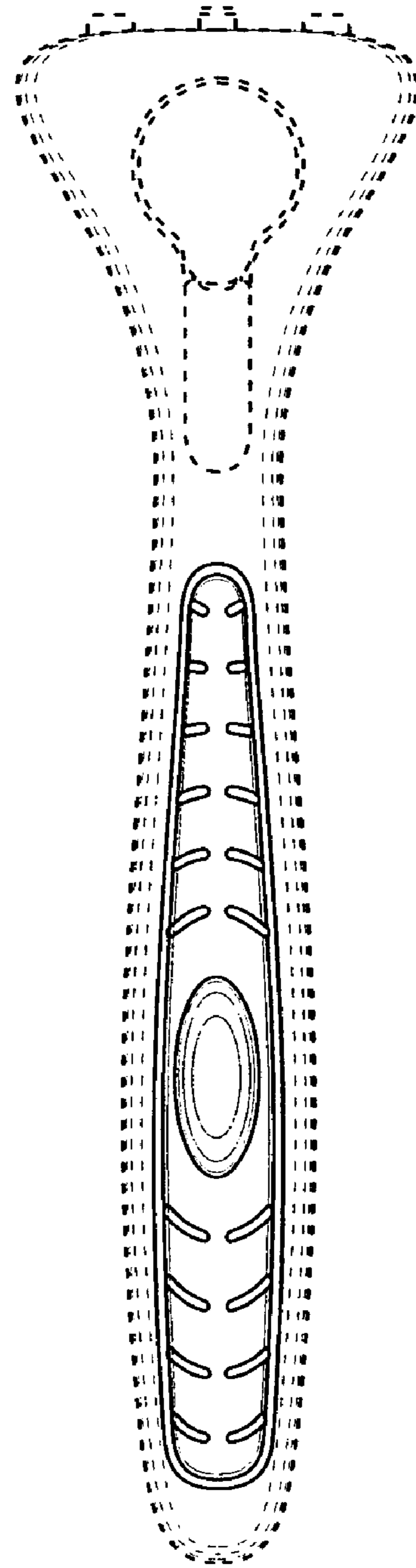
**Fig. 1**



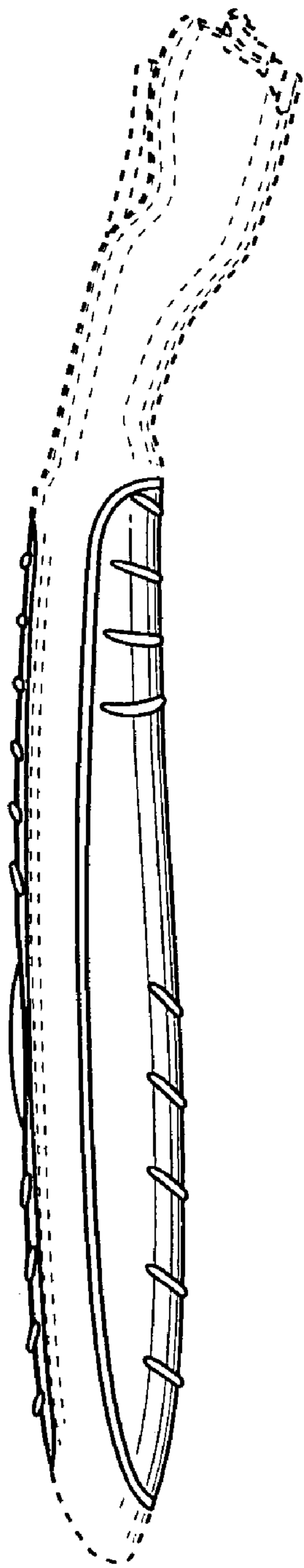
**Fig. 2**



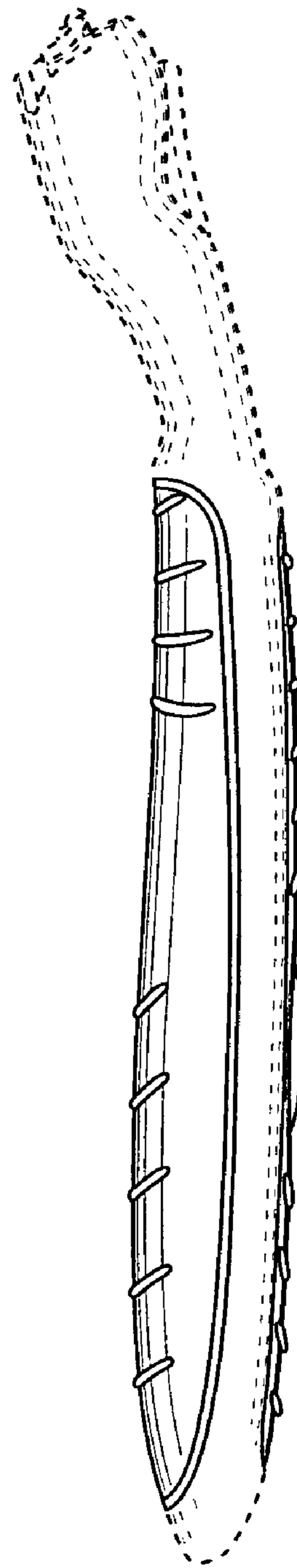
**Fig. 3**



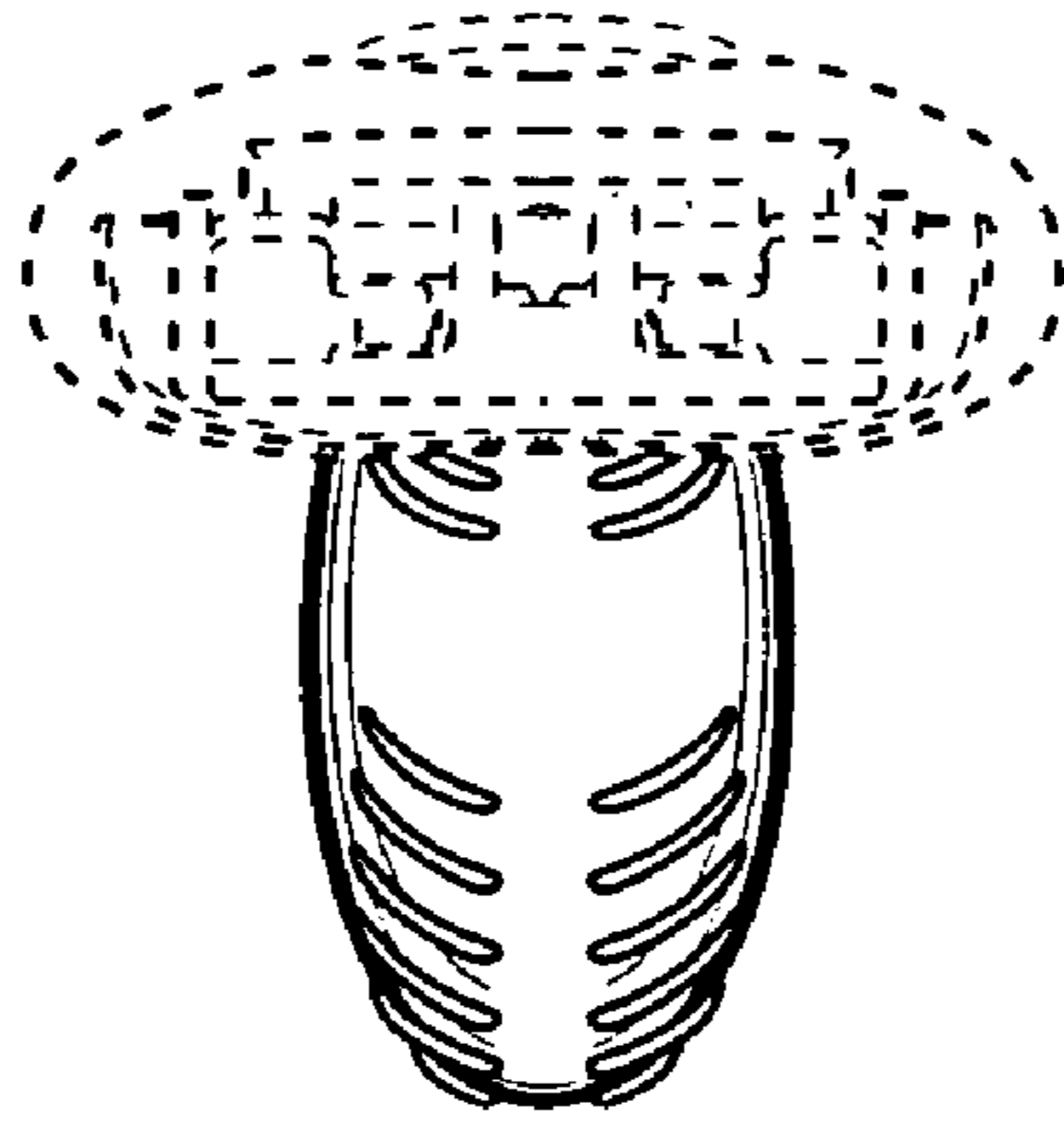
**Fig. 4**



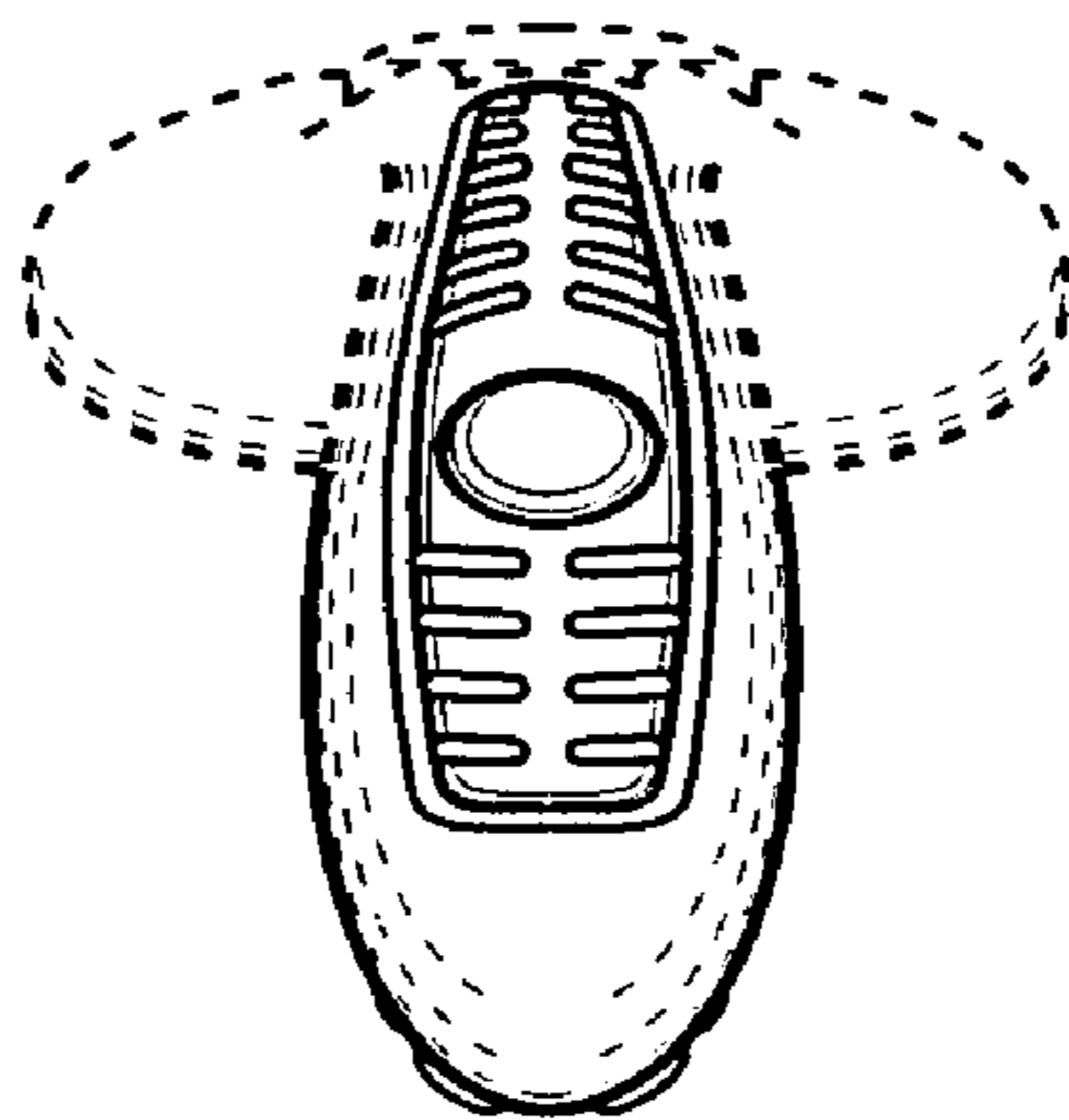
**Fig. 5**



**Fig. 6**



**Fig. 7**



**Fig. 8**