



US00D555829S

(12) **United States Design Patent**  
**Faravelli**

(10) **Patent No.:** **US D555,829 S**

(45) **Date of Patent:** **\*\* Nov. 20, 2007**

(54) **TOOTHPASTE**

6,060,078 A \* 5/2000 Lee ..... 424/440

D454,985 S \* 3/2002 Look ..... D28/77

(75) **Inventor:** **Ilaria Faravelli**, Casalpusterlengo (IT)

2003/0138469 A1\* 7/2003 Koda et al. .... 424/401

(73) **Assignee:** **Conopco, Inc.**, Englewood Cliffs, NJ  
(US)

\* cited by examiner

(\*\*) **Term:** **14 Years**

*Primary Examiner*—Jennifer Rivard

(21) **Appl. No.:** **29/239,942**

(74) *Attorney, Agent, or Firm*—Milton L. Honig

(22) **Filed:** **Oct. 6, 2005**

(57) **CLAIM**

(30) **Foreign Application Priority Data**

The ornamental design for toothpaste, as shown and described.

Apr. 8, 2005 (EM) ..... 000323761

(51) **LOC (8) Cl.** ..... **28-03**

**DESCRIPTION**

(52) **U.S. Cl.** ..... **D28/4**

(58) **Field of Classification Search** ..... 510/133,  
510/141; D28/8.1, 8.2, 4; 424/49–58, 401  
See application file for complete search history.

FIG. 1 is a perspective view of my toothpaste from above, one side and one end; and,

FIG. 2 is a front view of my toothpaste.

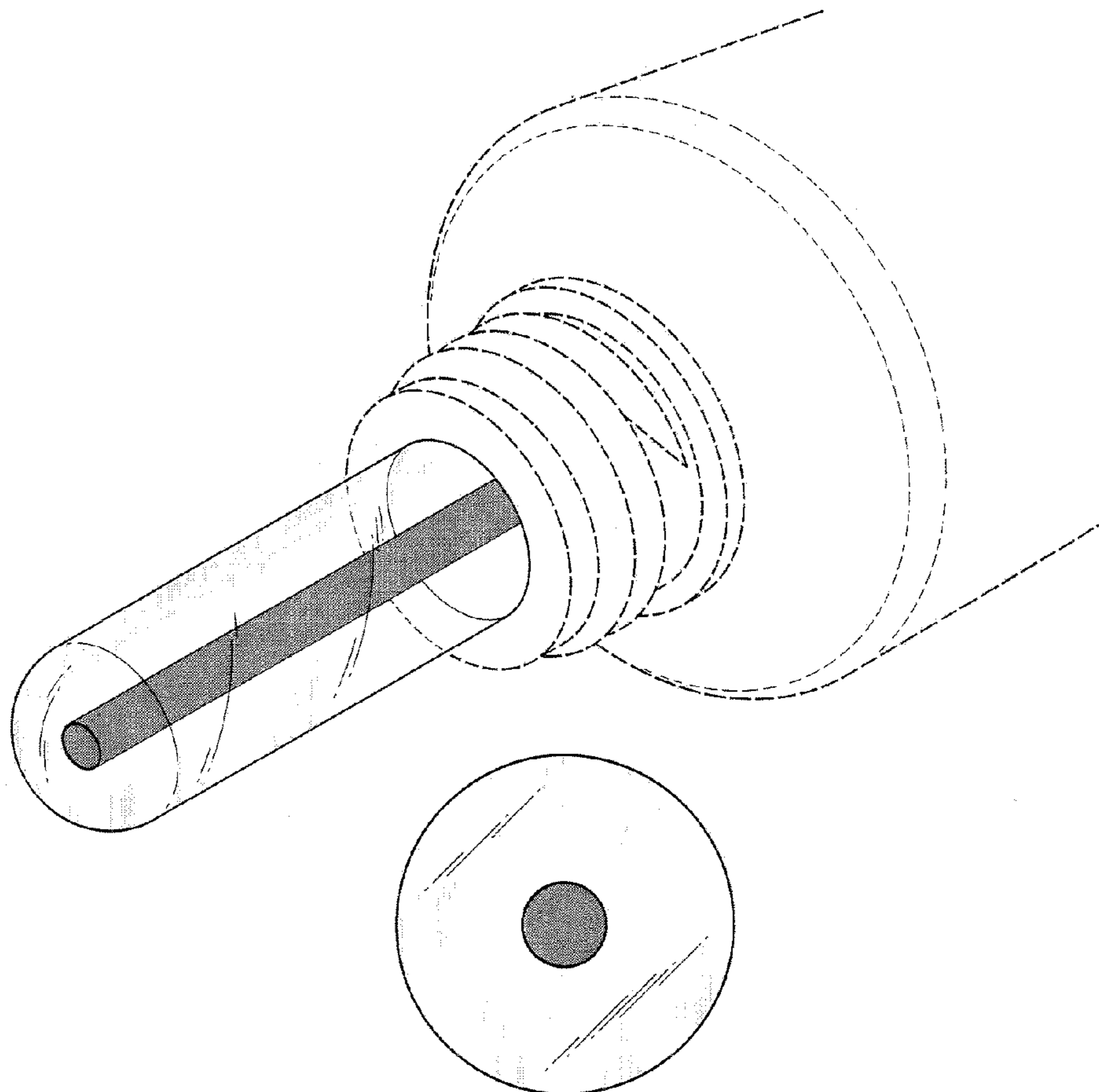
(56) **References Cited**

The broken lines are shown for illustrative purposes only and form no part of the claimed design.

**U.S. PATENT DOCUMENTS**

D277,611 S \* 2/1985 Sanabria ..... D28/8.1

**1 Claim, 1 Drawing Sheet**



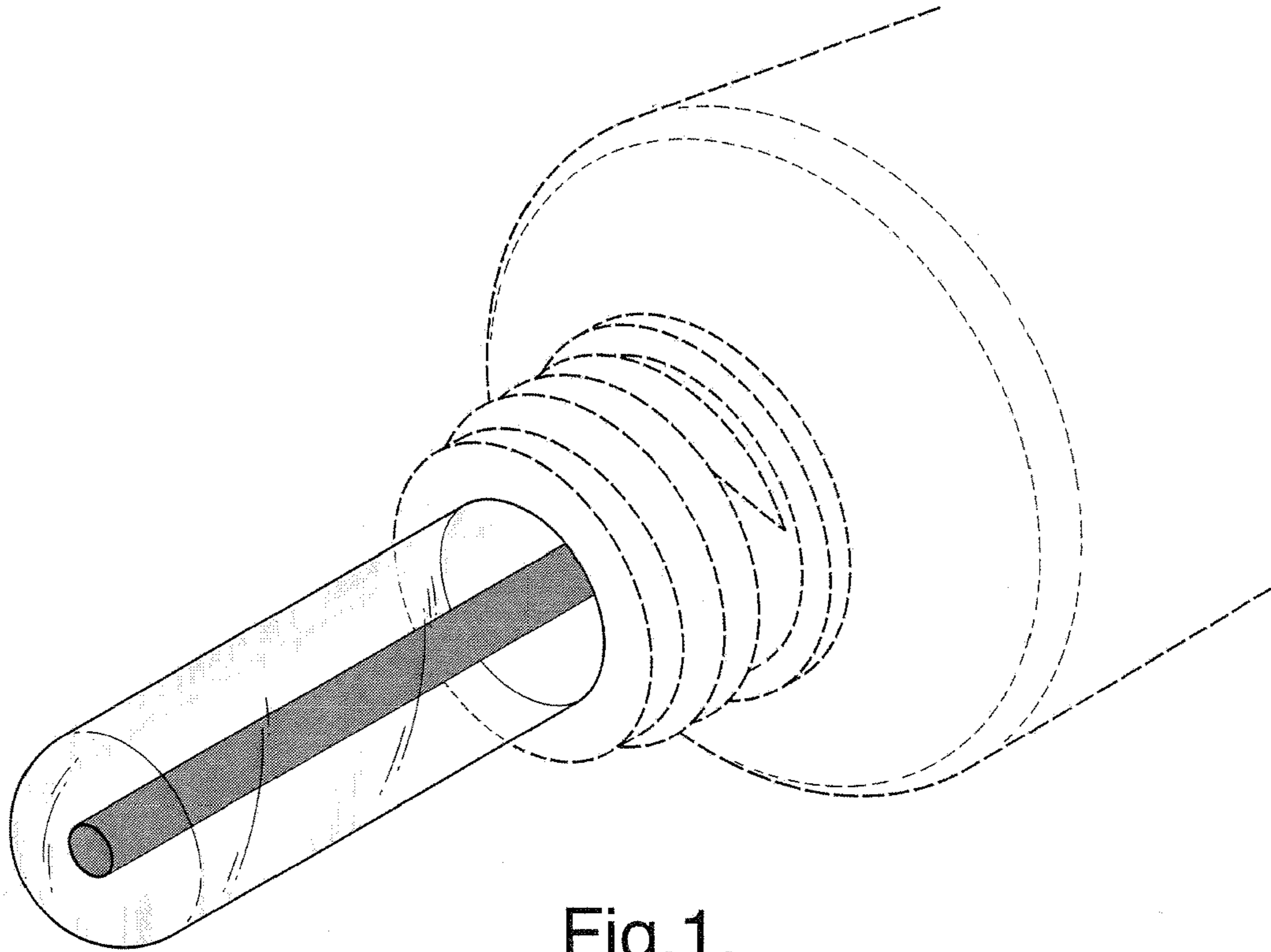


Fig. 1.

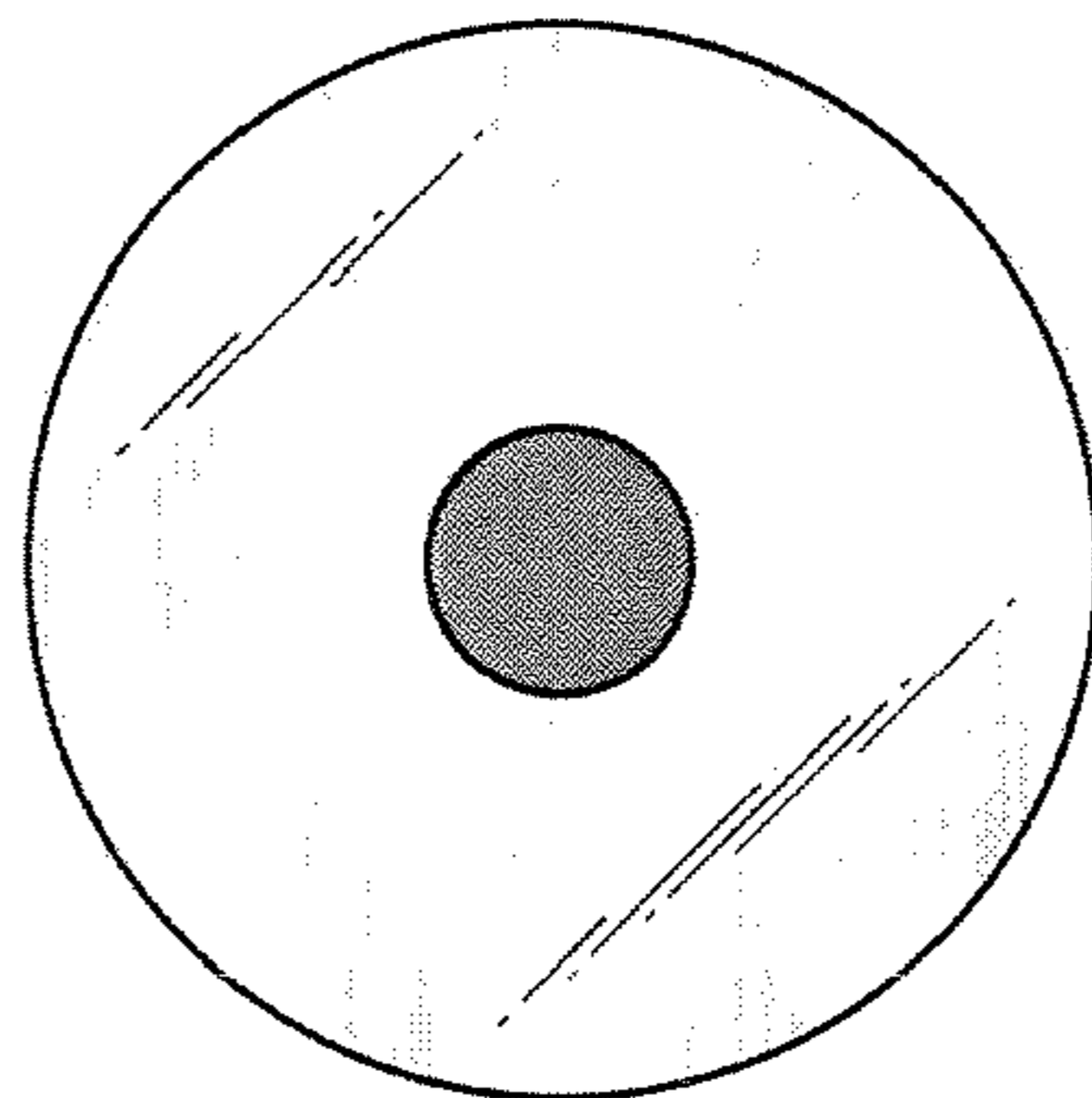


Fig. 2.

UNITED STATES PATENT AND TRADEMARK OFFICE  
**CERTIFICATE OF CORRECTION**

PATENT NO. : Des. 555,829 S  
APPLICATION NO. : 29/239942  
DATED : November 20, 2007  
INVENTOR(S) : Faravelli et al.

Page 1 of 1

It is certified that error appears in the above-identified patent and that said Letters Patent is hereby corrected as shown below:

Title Page item 73

“Conopco, Inc., Englewood Cliffs, NJ” should have read -- Conopco, Inc. d/b/a Unilever, Englewood Cliffs, NJ --.

Signed and Sealed this

First Day of April, 2008

A handwritten signature in black ink that reads "Jon W. Dudas". The signature is written in a cursive style with a large, looped initial "J".

JON W. DUDAS

*Director of the United States Patent and Trademark Office*