



US00D555828S

(12) **United States Design Patent** (10) **Patent No.:** **US D555,828 S**
Norris et al. (45) **Date of Patent:** **** Nov. 20, 2007**

(54) **DENTIFRICE**

2005/0260141 A1* 11/2005 Alexander 424/49

(75) Inventors: **Joseph T. Norris**, West Windsor, NJ (US); **John C. Crawford**, Mahopac, NY (US)

FOREIGN PATENT DOCUMENTS

GB 2075605 * 7/1999
GB 2087381 12/1999

(73) Assignee: **Colgate-Palmolive Company**, New York, NY (US)

* cited by examiner

Primary Examiner—Jennifer Rivard
(74) *Attorney, Agent, or Firm*—Michael Wallace, Jr.

(**) Term: **14 Years**

(57) **CLAIM**

(21) Appl. No.: **29/235,710**

The ornamental design for a dentifrice, as shown and described.

(22) Filed: **Aug. 4, 2005**

(51) **LOC (8) Cl.** **28-03**

DESCRIPTION

(52) **U.S. Cl.** **D28/4**

FIG. 1 is a perspective view of the dentifrice of our design; FIG. 2 is a left side elevation, the right side being a mirror image thereof.

(58) **Field of Classification Search** 424/49–58, 424/401; D28/4, 5, 8.1, 8.2; 510/133, 141
See application file for complete search history.

FIG. 3 is a front elevation view, the rear elevation view being a mirror image thereof; and,

(56) **References Cited**

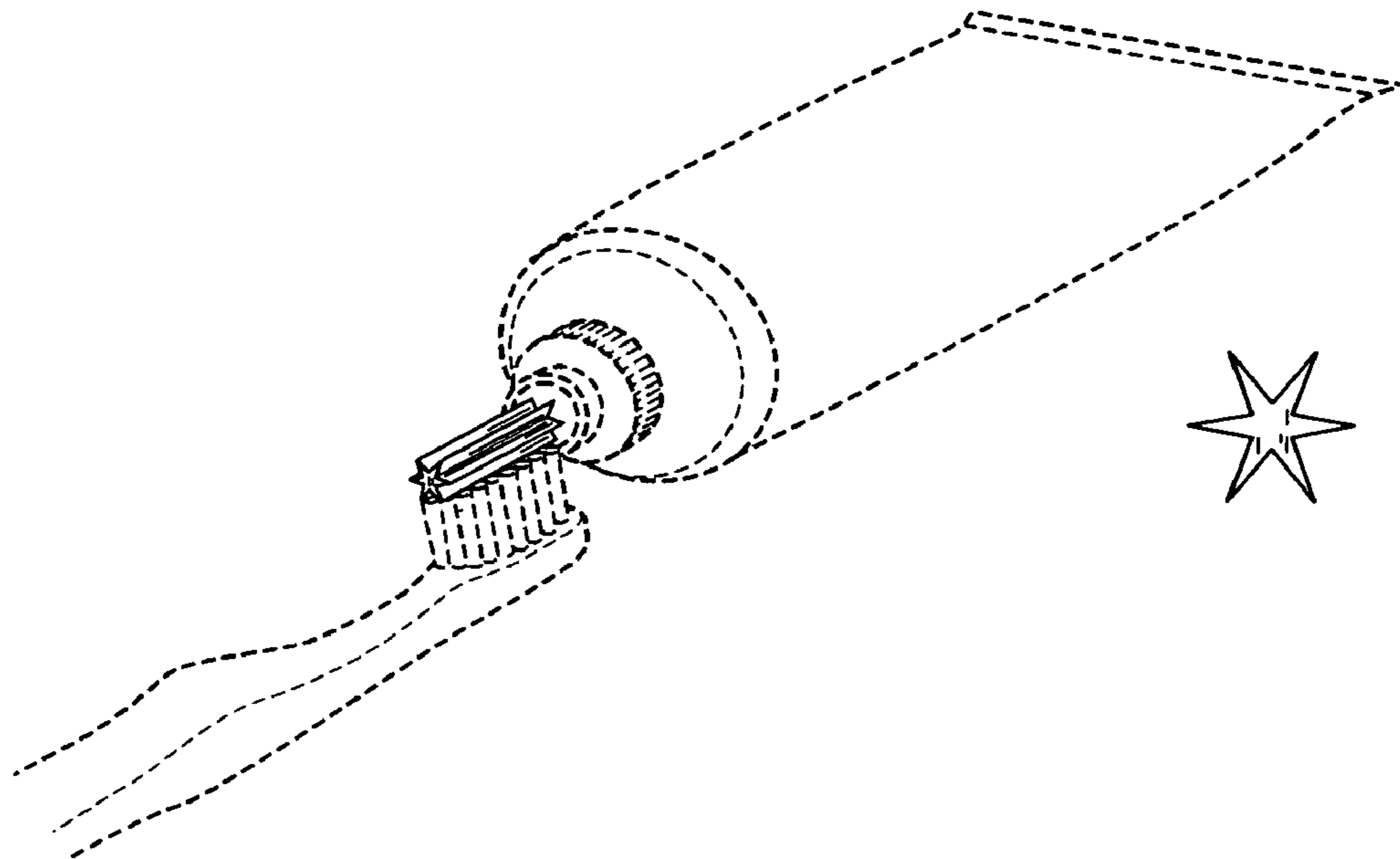
U.S. PATENT DOCUMENTS

5,823,387 A 10/1998 Manadanas et al.
5,993,784 A * 11/1999 Hill 424/49
6,126,923 A 10/2000 Burke et al.
D456,099 S * 4/2002 Look D28/77
D497,686 S * 10/2004 Boyd D28/4
D512,201 S * 12/2005 Boyd D28/4

FIG. 4 is a top plan view, the bottom plan view being a mirror image thereof.

The broken lines showing of a toothbrush and a tube in FIG. 1 are for illustrative purposes only and form no part of the claimed design.

1 Claim, 1 Drawing Sheet



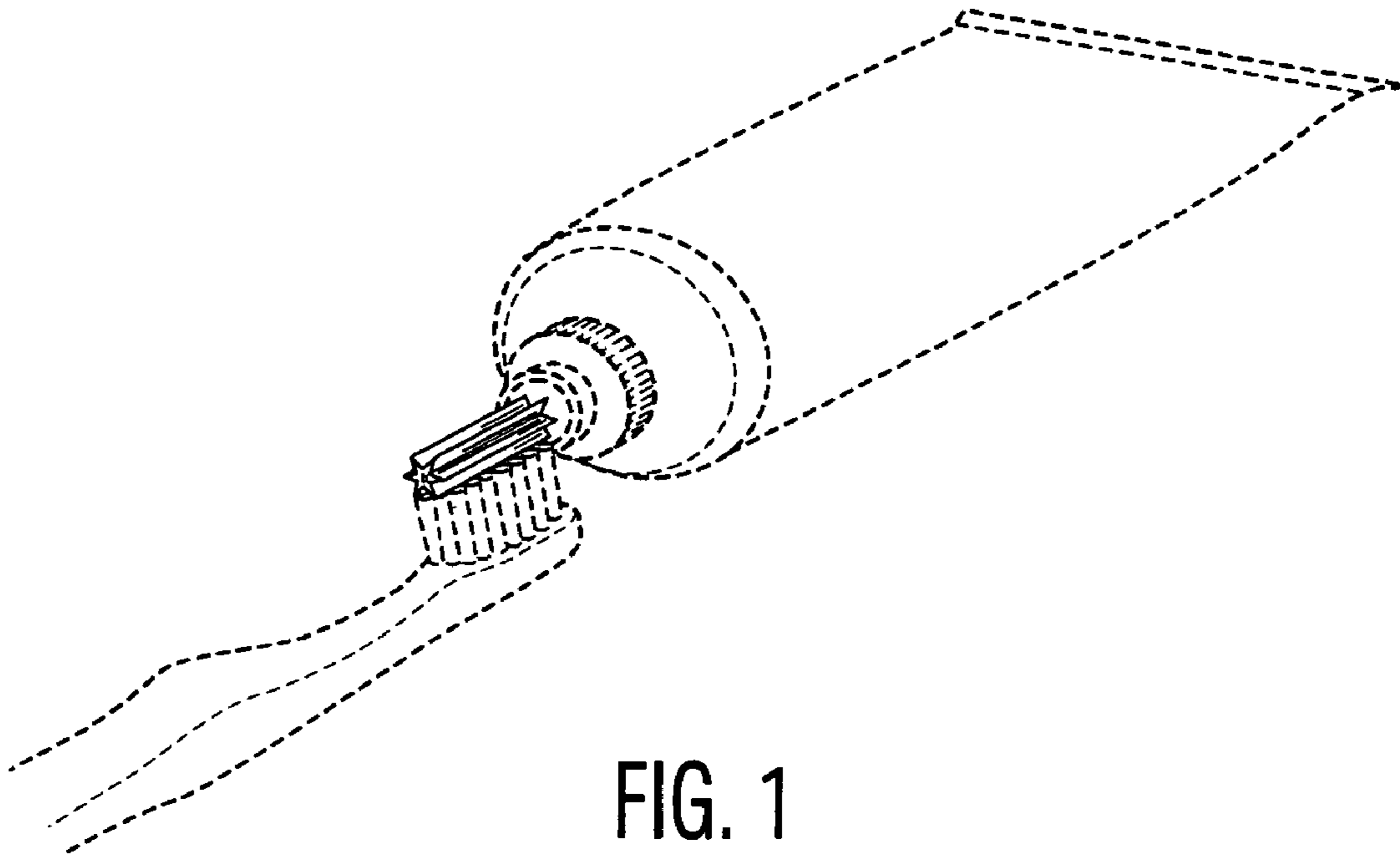


FIG. 1

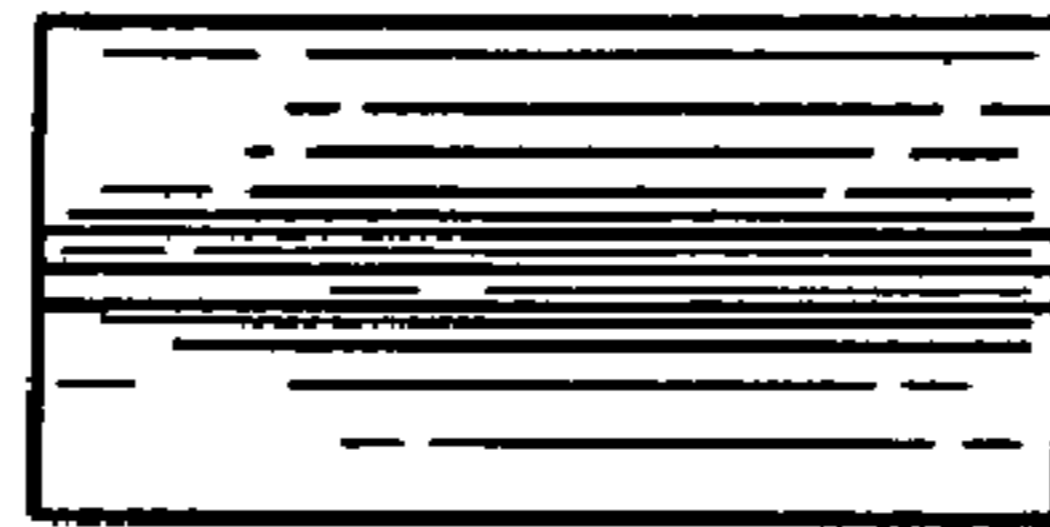


FIG. 2



FIG. 3

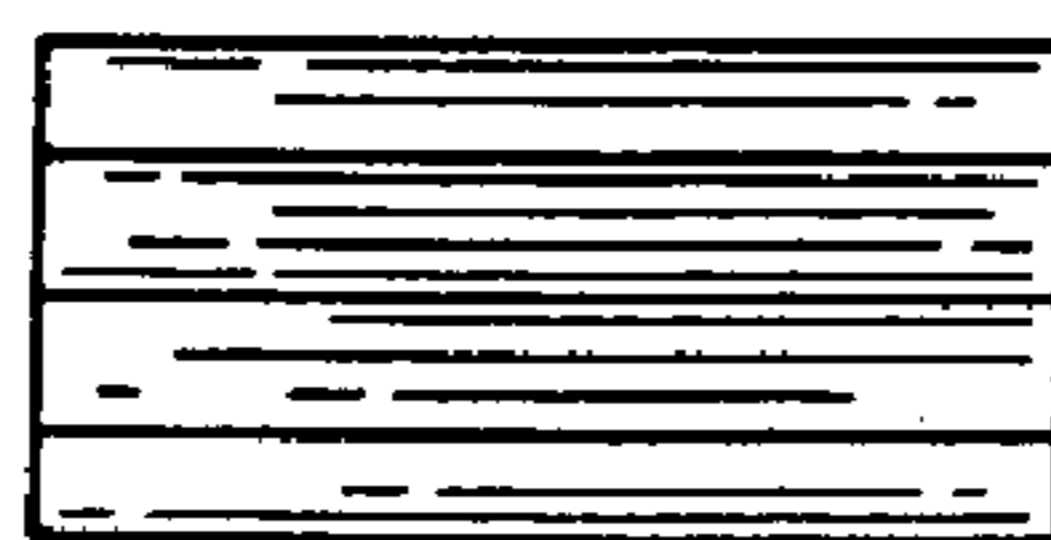


FIG. 4