



US00D555821S

(12) **United States Design Patent** (10) **Patent No.:** **US D555,821 S**
Russello et al. (45) **Date of Patent:** **** Nov. 20, 2007**

(54) **LUMINAIRE HOUSING**

(75) Inventors: **Thomas Russello**, Freehold, NJ (US);
Dylan Akinrele, Leonia, NJ (US)

(73) Assignee: **Genlyte Thomas Group, LLC**,
Louisville, KY (US)

(**) Term: **14 Years**

(21) Appl. No.: **29/247,813**

(22) Filed: **Jul. 13, 2006**

(51) **LOC (8) Cl.** **26-05**

(52) **U.S. Cl.** **D26/71; D26/71**

(58) **Field of Classification Search** D26/67,
D26/68, 70, 71, 87, 92; 362/147, 370, 431
See application file for complete search history.

(56) **References Cited**

U.S. PATENT DOCUMENTS

D138,831 S *	9/1944	McCann	D26/87
D291,363 S *	8/1987	Schmidt	D26/87
D350,621 S *	9/1994	Yuen	D26/87
D363,566 S *	10/1995	Osteen	D26/67
D381,763 S *	7/1997	Compton	D26/87
D419,258 S *	1/2000	Pfister	D26/87
D439,695 S *	3/2001	Compton et al.	D26/87
D494,302 S *	8/2004	Huang	D26/87

* cited by examiner

Primary Examiner—Clare E Heflin
(74) *Attorney, Agent, or Firm*—John F. Salazar; Middleton Reutlinger

(57) **CLAIM**

The ornamental design for a luminaire housing, as shown and described.

DESCRIPTION

FIG. 1 is a perspective view of the luminaire housing of the present invention;

FIG. 2 is a top view of the design of the present invention;

FIG. 3 is a front view of the design of the present invention;

FIG. 4 is a left side view of the design of the present invention;

FIG. 5 is a right side view of the design of the present invention;

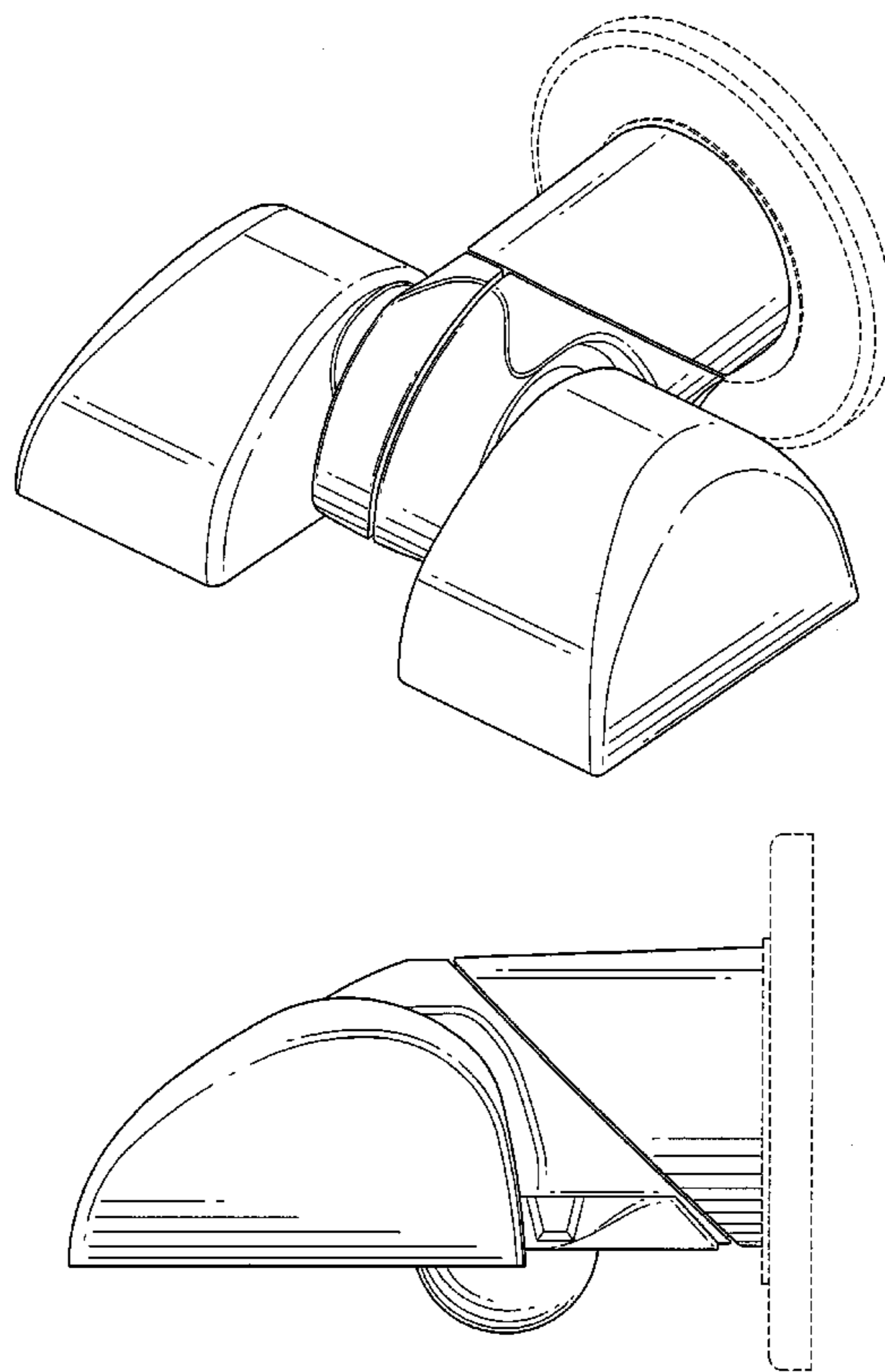
FIG. 6 is an alternative right side view of the design of the present invention;

FIG. 7 is a bottom view of the design of the present invention; and,

FIG. 8 is a rear view of the design of the present invention.

The broken lines showing environmental structure are for illustrative purposes only and forms no part of the claimed design.

1 Claim, 8 Drawing Sheets



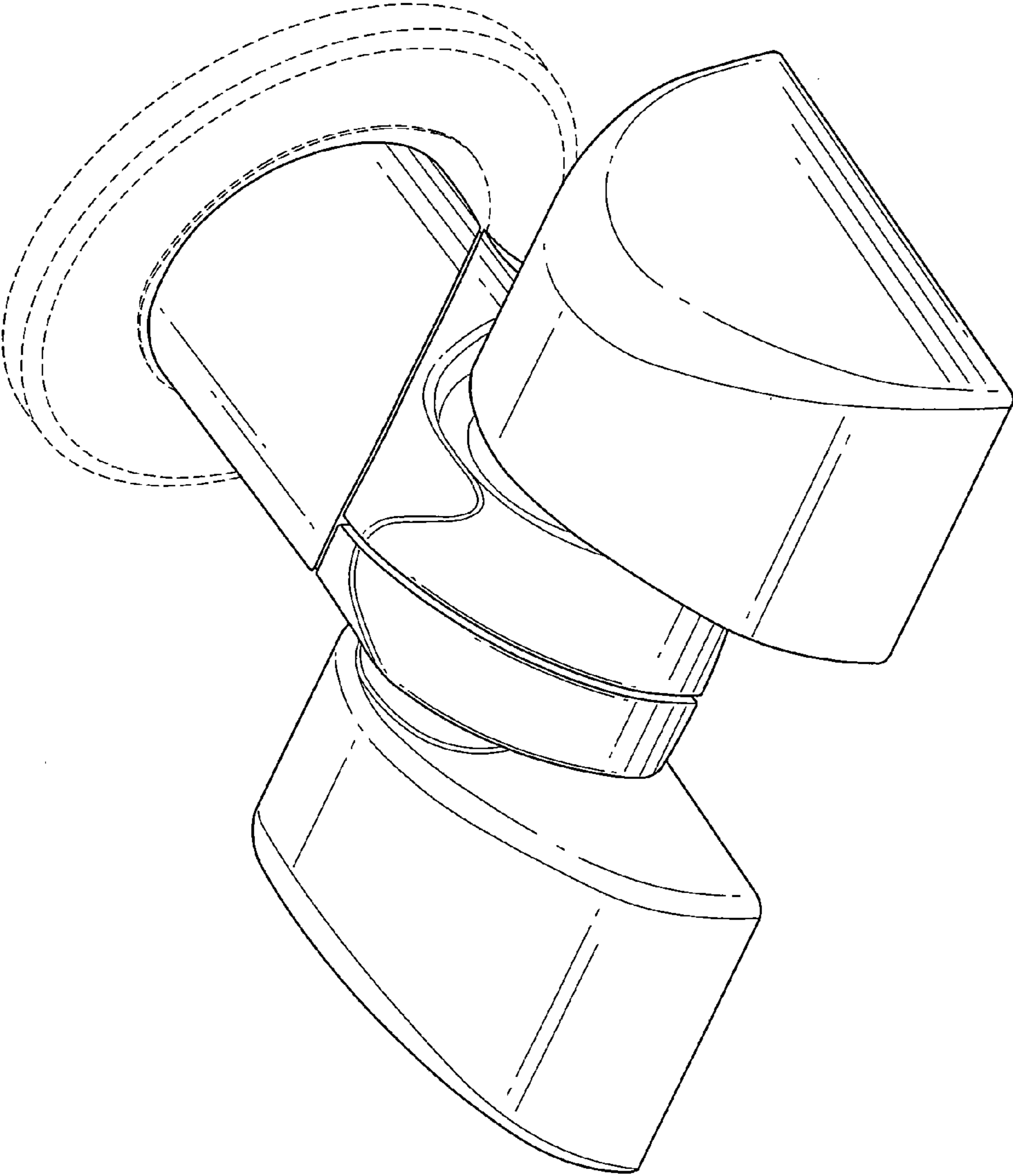


FIG. 1

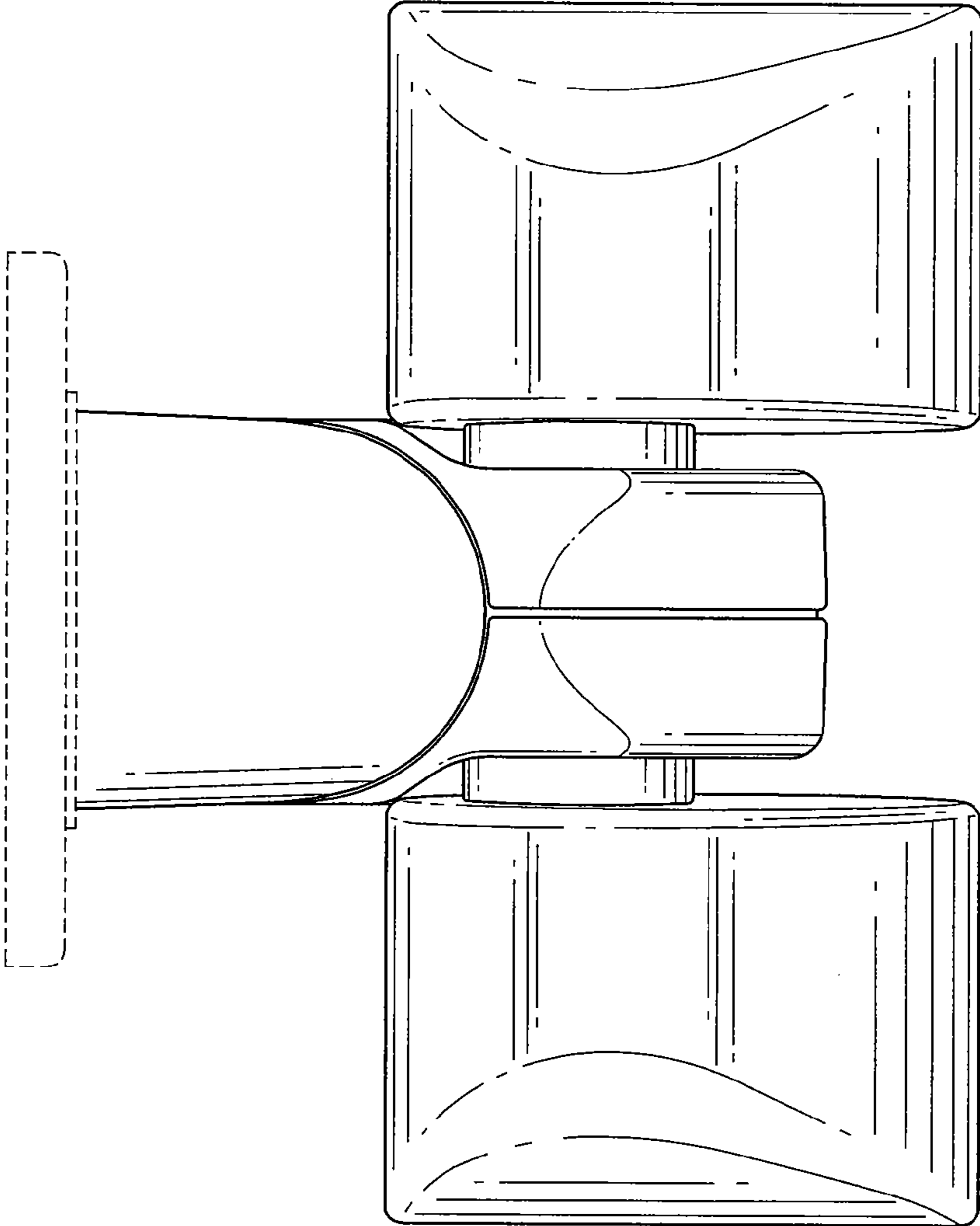


FIG. 2

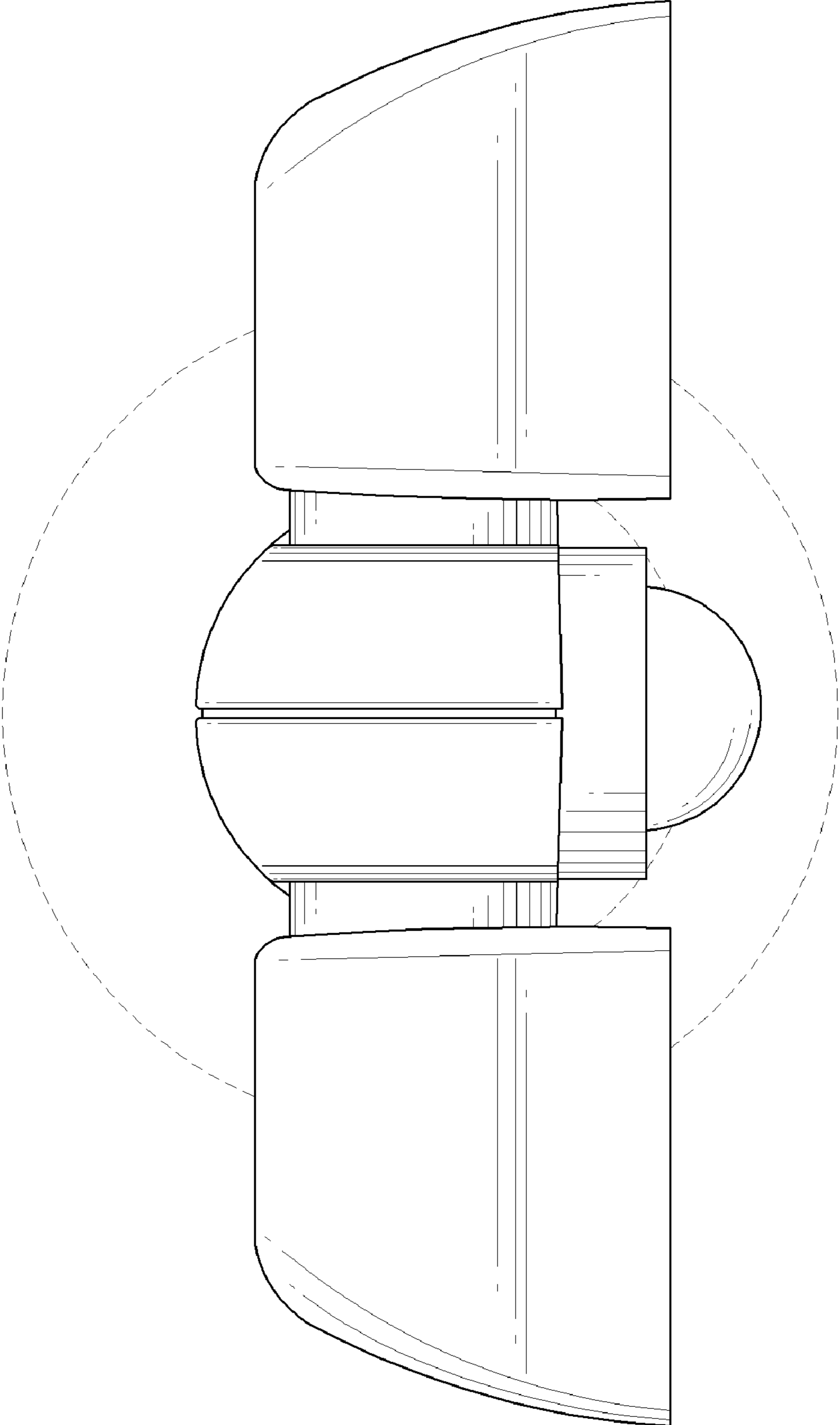


FIG. 3

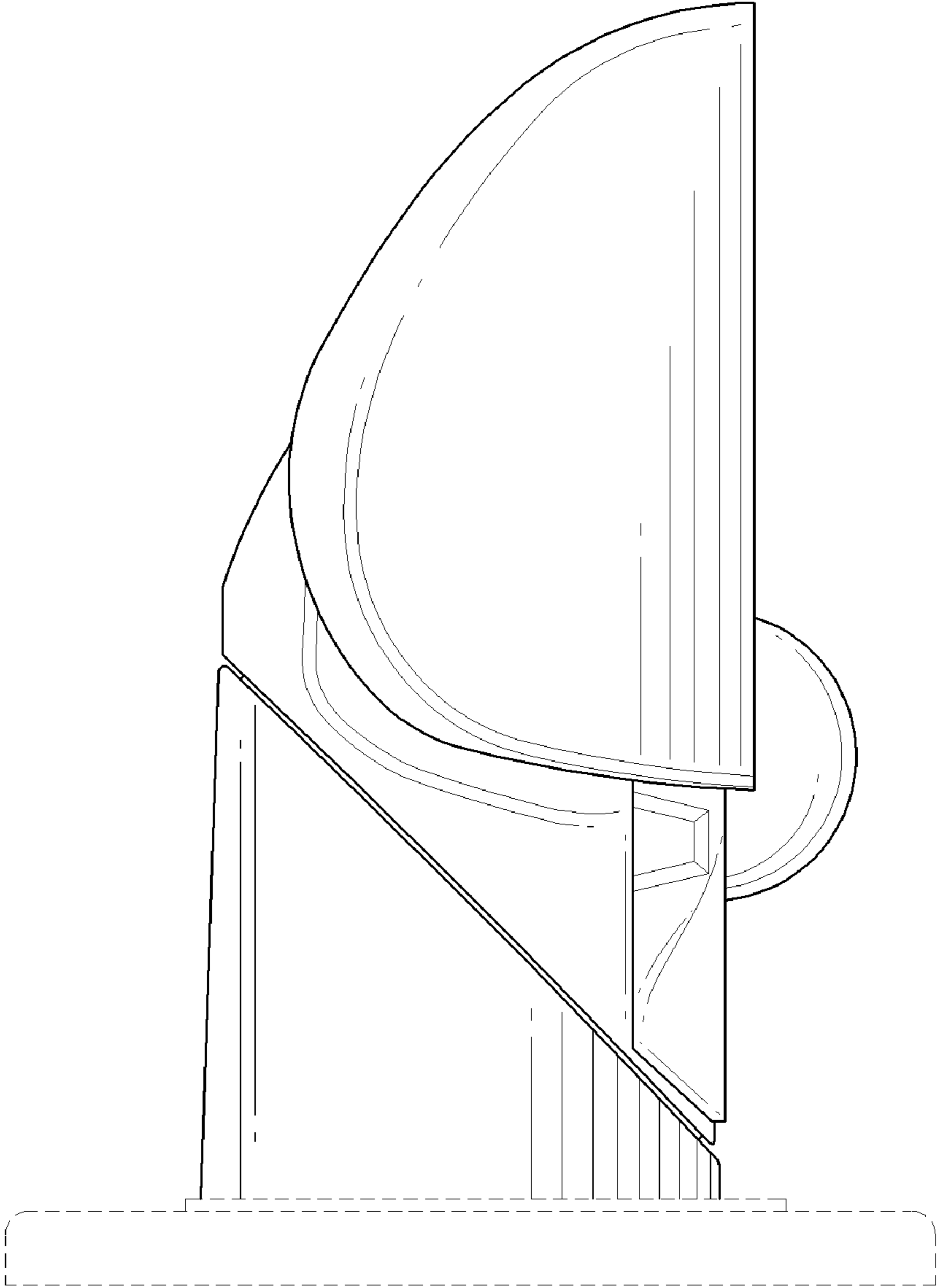


FIG. 4

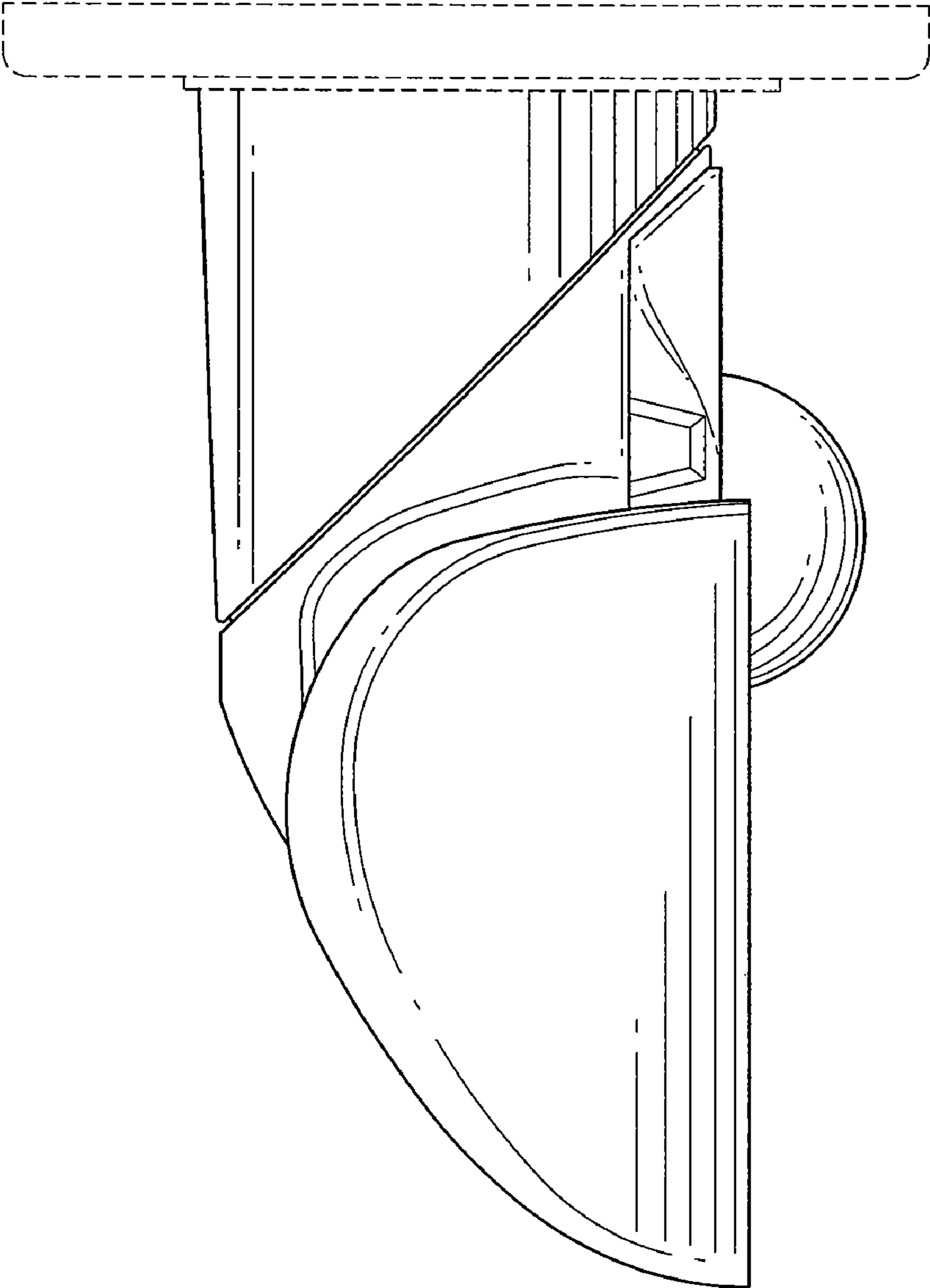


FIG. 5

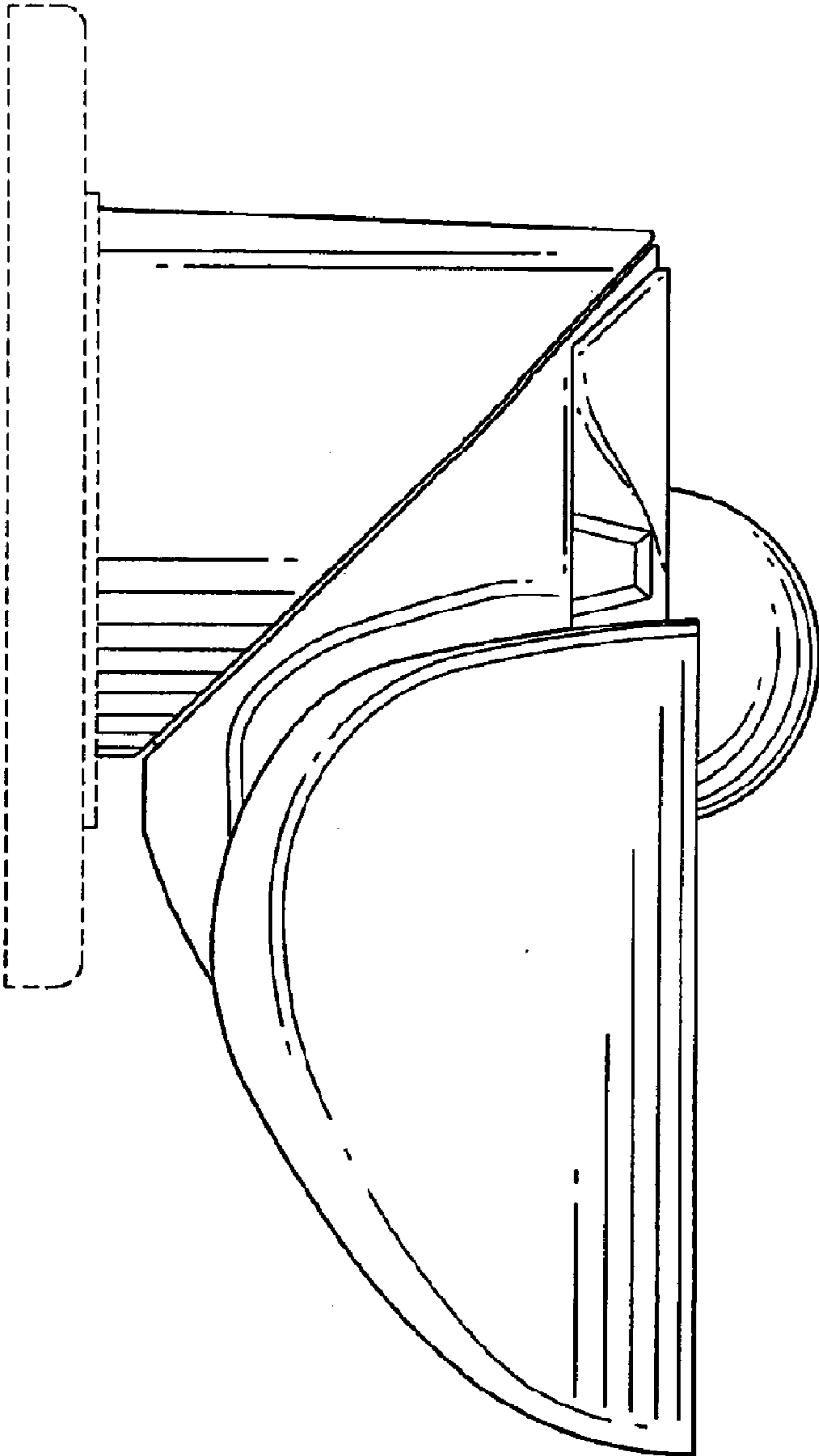


FIG. 6

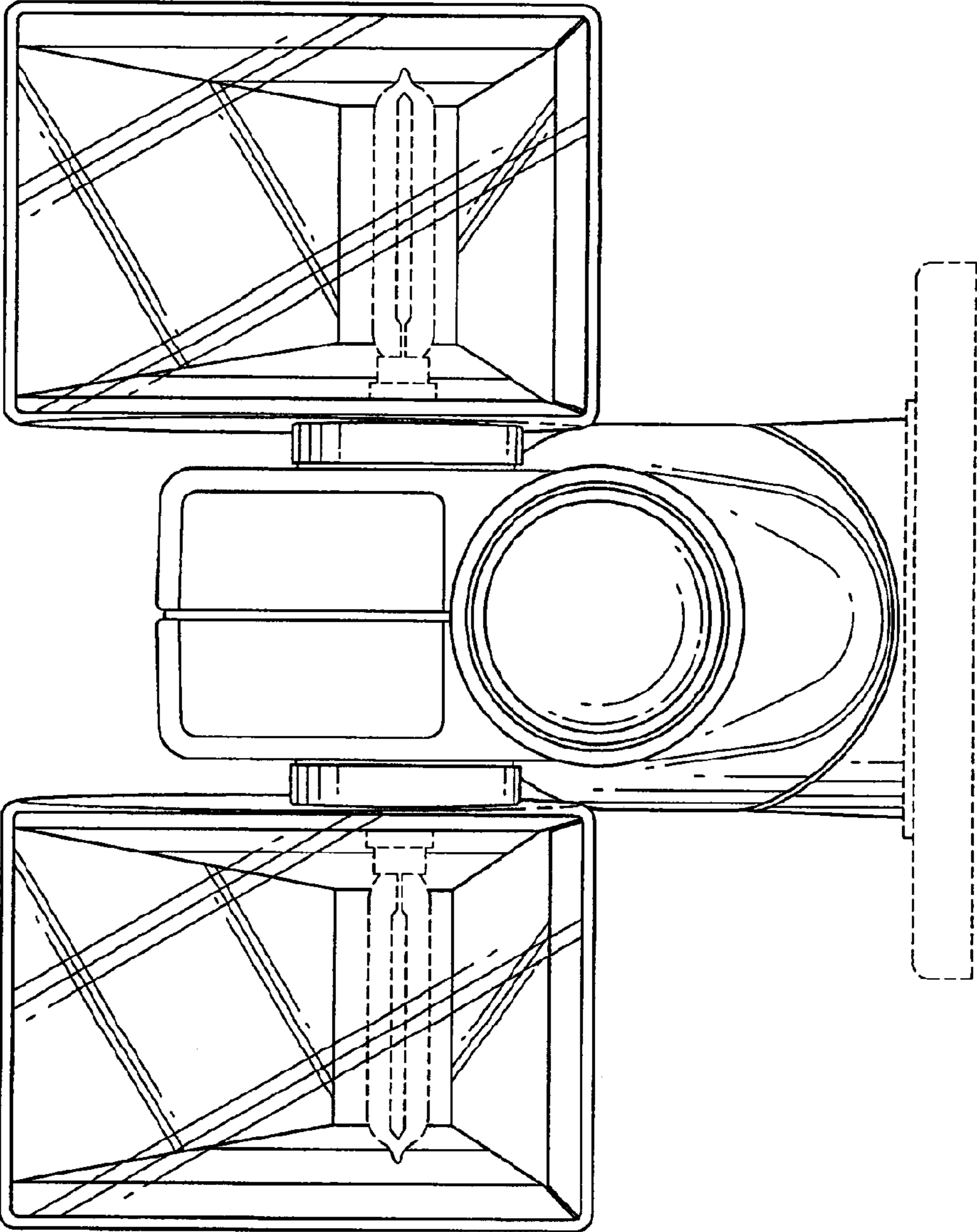


FIG. 7

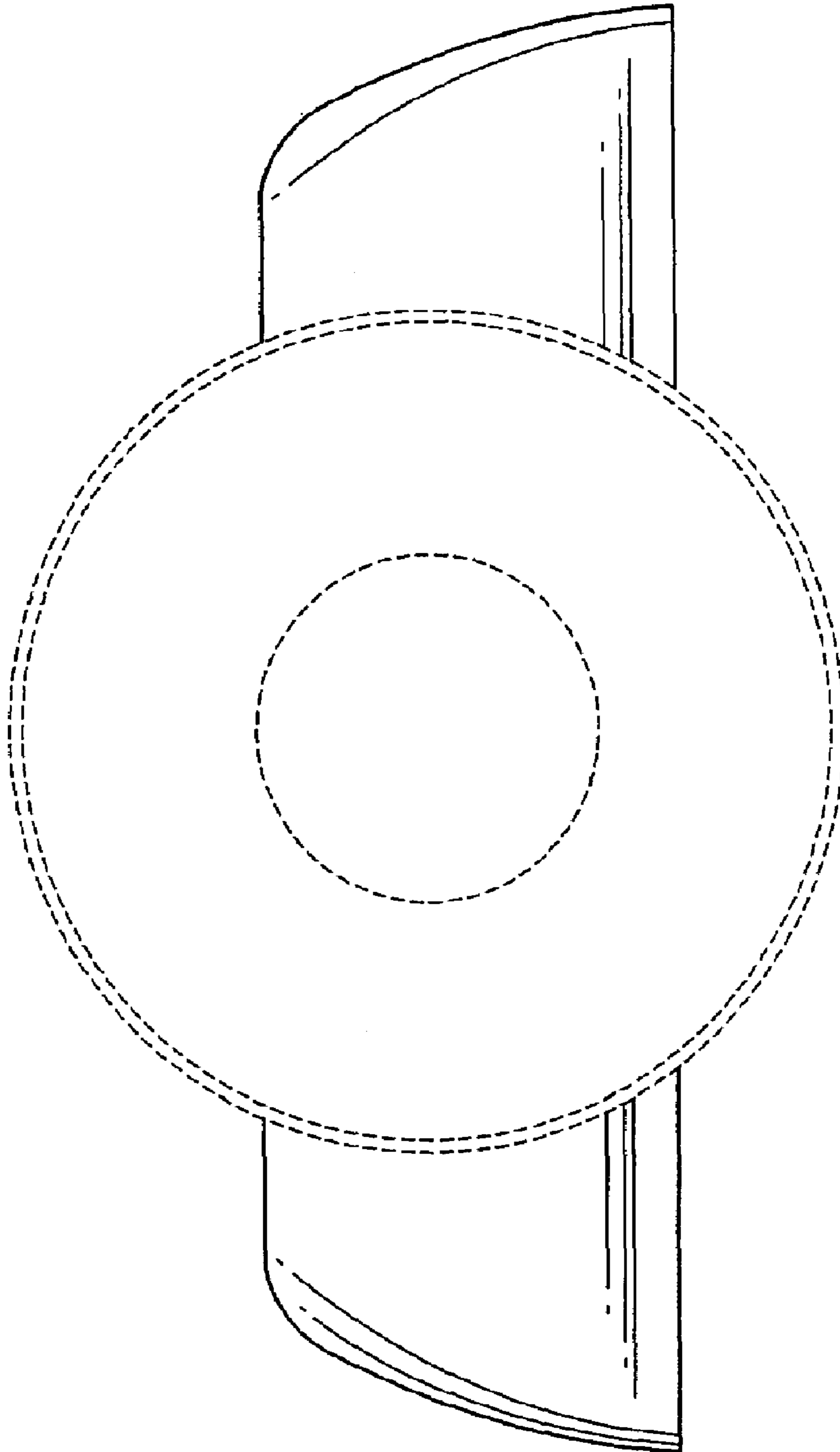


FIG. 8