



US00D555808S

(12) **United States Design Patent**  
**Price et al.**

(10) **Patent No.:** **US D555,808 S**

(45) **Date of Patent:** **\*\* Nov. 20, 2007**

(54) **ENGAGEMENT PROJECTION OF A  
RETAINING WALL BLOCK**

5,474,405 A 12/1995 Anderson et al.  
5,484,235 A 1/1996 Hilfiker et al.  
5,490,363 A 2/1996 Woolford  
5,505,034 A 4/1996 Dueck  
5,511,910 A 4/1996 Scales

(75) Inventors: **Raymond R. Price**, Rochester, MN  
(US); **Gerald P. Price**, Rochester, MN  
(US); **Brian A. Price**, Rochester, MN  
(US)

(Continued)

FOREIGN PATENT DOCUMENTS

(73) Assignee: **Mortarless Technologies, LLC**,  
Rochester, MN (US)

JP 54-107105 7/1979

(Continued)

(\*\*) Term: **14 Years**

OTHER PUBLICATIONS

(21) Appl. No.: **29/240,296**

International Search Report, 2 pages.

(22) Filed: **Oct. 11, 2005**

(Continued)

(51) **LOC (8) Cl.** ..... **25-01**

(52) **U.S. Cl.** ..... **D25/118**

(58) **Field of Classification Search** ..... D25/112-118;  
D21/484-486, 499-501; 405/15-16, 30-31,  
405/33, 35, 284, 286; 52/596, 600-609,  
52/612

*Primary Examiner*—Robert A. Delehanty

(74) *Attorney, Agent, or Firm*—Patterson, Thunte, Skaar &  
Christensen, P.A.

See application file for complete search history.

(57) **CLAIM**

The ornamental design of the engagement projection of a  
retaining wall block, as shown and described.

(56) **References Cited**

**DESCRIPTION**

U.S. PATENT DOCUMENTS

751,346 A 2/1904 Schall  
1,526,730 A 2/1925 Zottoli  
1,727,362 A 9/1929 Bone  
2,498,276 A \* 2/1950 Kany ..... 52/438  
3,953,979 A \* 5/1976 Kurose ..... 405/286  
4,123,881 A 11/1978 Muse  
4,470,728 A 9/1984 Broadbent  
4,592,678 A 6/1986 McNinch, Jr. et al.  
4,802,320 A 2/1989 Forsberg  
4,909,010 A 3/1990 Gravier  
4,914,876 A 4/1990 Forsberg  
4,920,712 A 5/1990 Dean, Jr.  
D317,048 S 5/1991 Forsberg  
5,044,834 A 9/1991 Janopaul, Jr.  
5,064,313 A 11/1991 Risi et al.  
5,145,288 A 9/1992 Borchardt  
5,163,261 A 11/1992 O'Neill  
5,337,527 A 8/1994 Wagenaar

FIG. 1 is a front perspective bottom view of the ornamental  
engagement projection of a retaining wall block;

FIG. 2 is a side elevational view of the engagement projec-  
tion of FIG. 1;

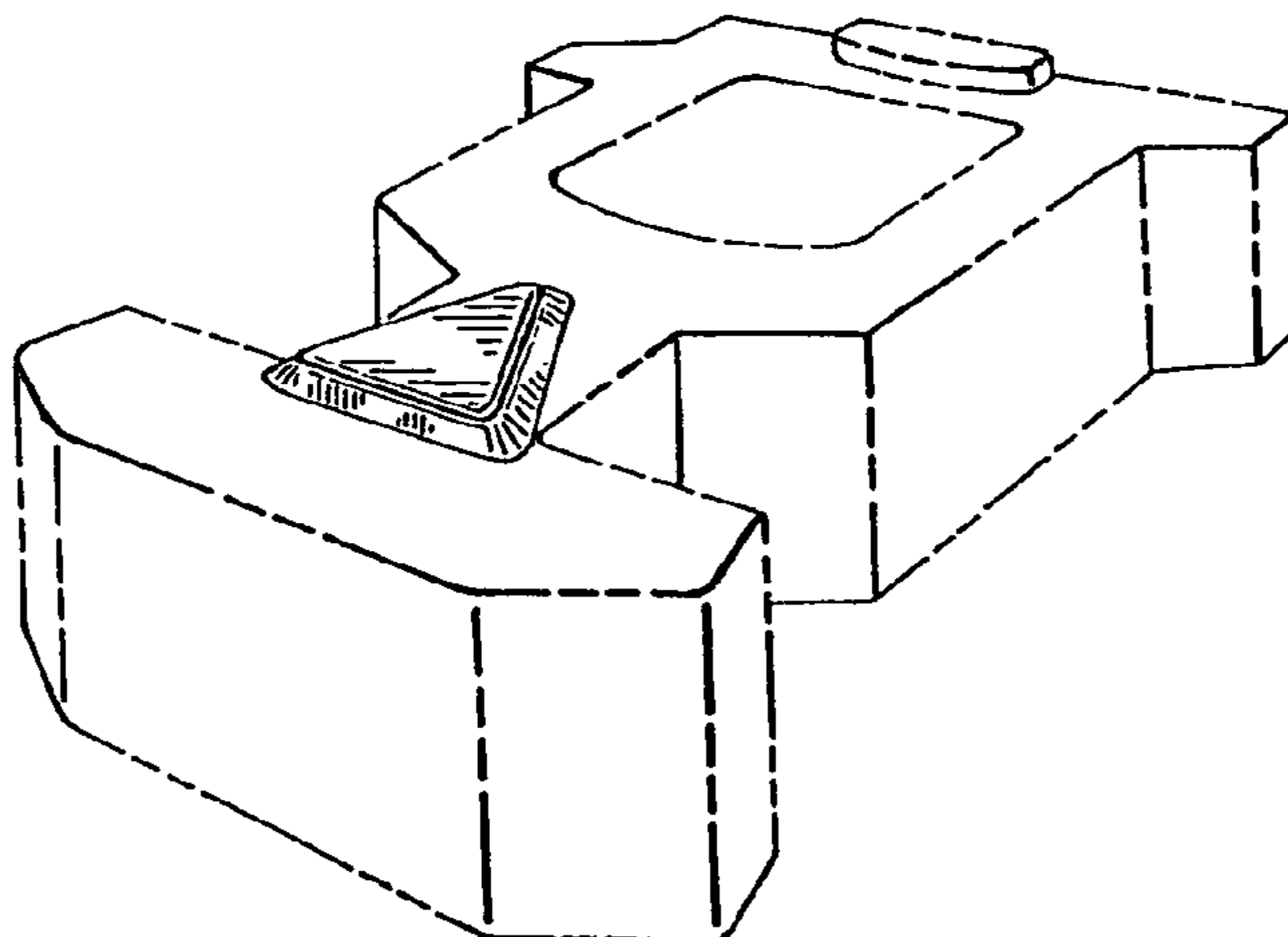
FIG. 3 is a bottom plan view of the engagement projection  
of FIG. 1;

FIG. 4 is a front elevational view of the engagement  
projection of FIG. 1; and,

FIG. 5 is a rear elevational view of the engagement projec-  
tion of FIG. 1.

The broken lines outlining a retaining wall block are for  
illustrative purposes only and form no part of the claimed  
design.

**1 Claim, 1 Drawing Sheet**



# US D555,808 S

Page 2

## U.S. PATENT DOCUMENTS

D370,272 S \* 5/1996 Risi et al. .... D25/113  
5,540,525 A 7/1996 Miller et al.  
5,551,809 A 9/1996 Forsberg  
5,653,558 A 8/1997 Price  
5,673,530 A 10/1997 Bailey, II  
5,704,183 A 1/1998 Woolford  
5,709,062 A 1/1998 Woolford  
5,711,129 A 1/1998 Woolford  
5,795,105 A 8/1998 Guth  
5,823,709 A 10/1998 Maher et al.  
5,827,015 A 10/1998 Woolford et al.  
D405,543 S 2/1999 Shillingburg  
5,913,790 A 6/1999 Dawson  
6,019,550 A 2/2000 Wrigley et al.  
6,113,318 A 9/2000 Guth  
6,168,353 B1 1/2001 Price  
6,168,354 B1 1/2001 Martin et al.  
RE37,278 E 7/2001 Forsberg  
D451,615 S \* 12/2001 Brown ..... D25/199  
6,336,773 B1 1/2002 Anderson et al.  
D459,487 S 6/2002 Bott  
6,471,440 B1 \* 10/2002 Scheiwiller ..... 404/39  
6,474,036 B2 11/2002 Martin et al.  
6,536,994 B2 3/2003 Race  
6,622,445 B1 9/2003 Shillingburg et al.  
6,641,334 B2 11/2003 Woolford  
6,651,401 B2 11/2003 Price et al.  
6,652,197 B2 11/2003 Shaw

6,701,687 B1 3/2004 Shillingburg  
6,792,731 B2 9/2004 Bott et al.  
D497,399 S 10/2004 May et al.  
D501,935 S 2/2005 Dawson et al.  
D508,739 S 8/2005 Shillingburg  
D509,911 S 9/2005 Shillingburg  
7,096,635 B2 8/2006 Price et al.  
D530,832 S 10/2006 Rainey  
D540,478 S \* 4/2007 Price ..... D25/113  
2005/0016106 A1 1/2005 Dawson et al.

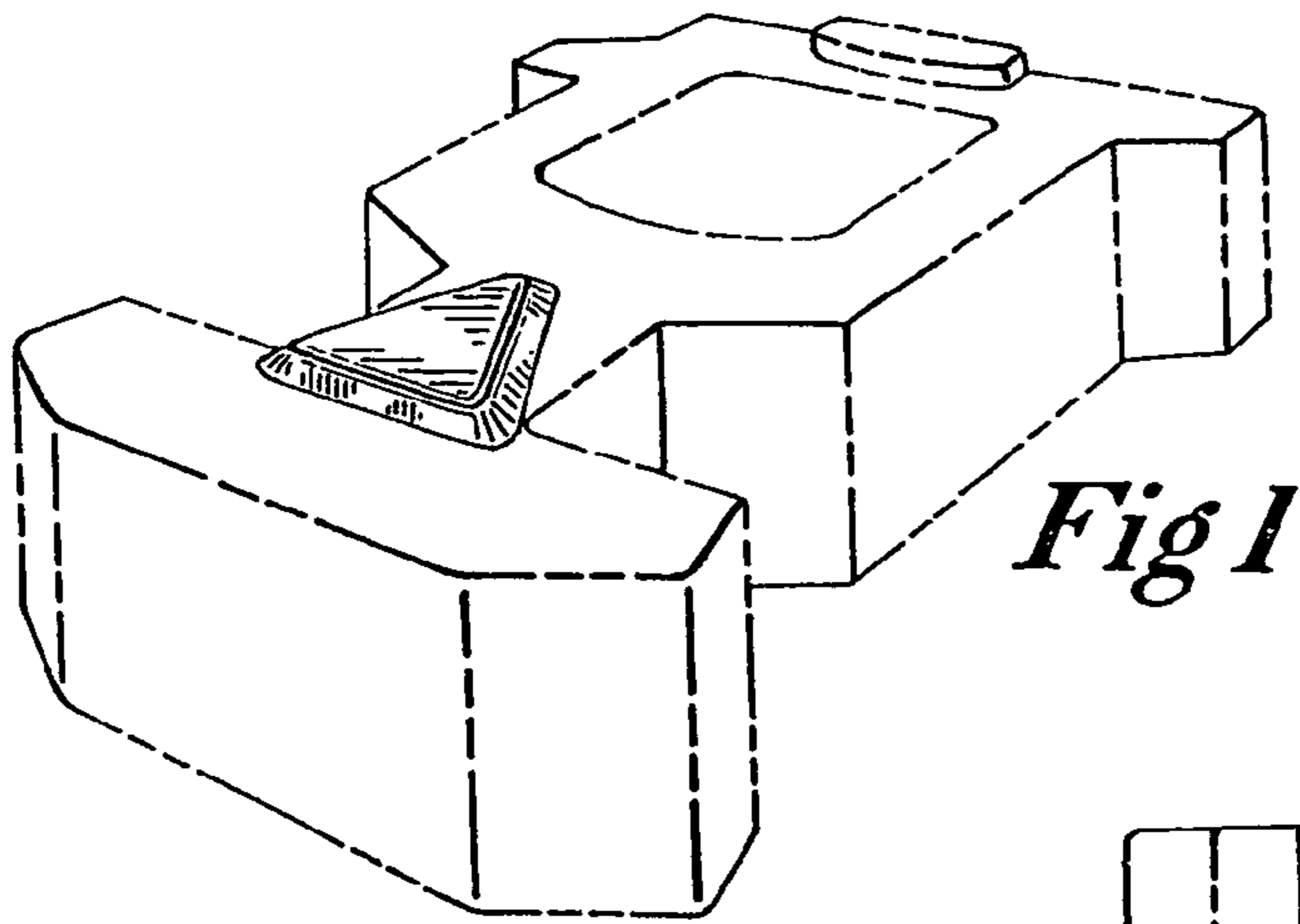
## FOREIGN PATENT DOCUMENTS

JP 54-107106 7/1979  
JP 59-167842 11/1984

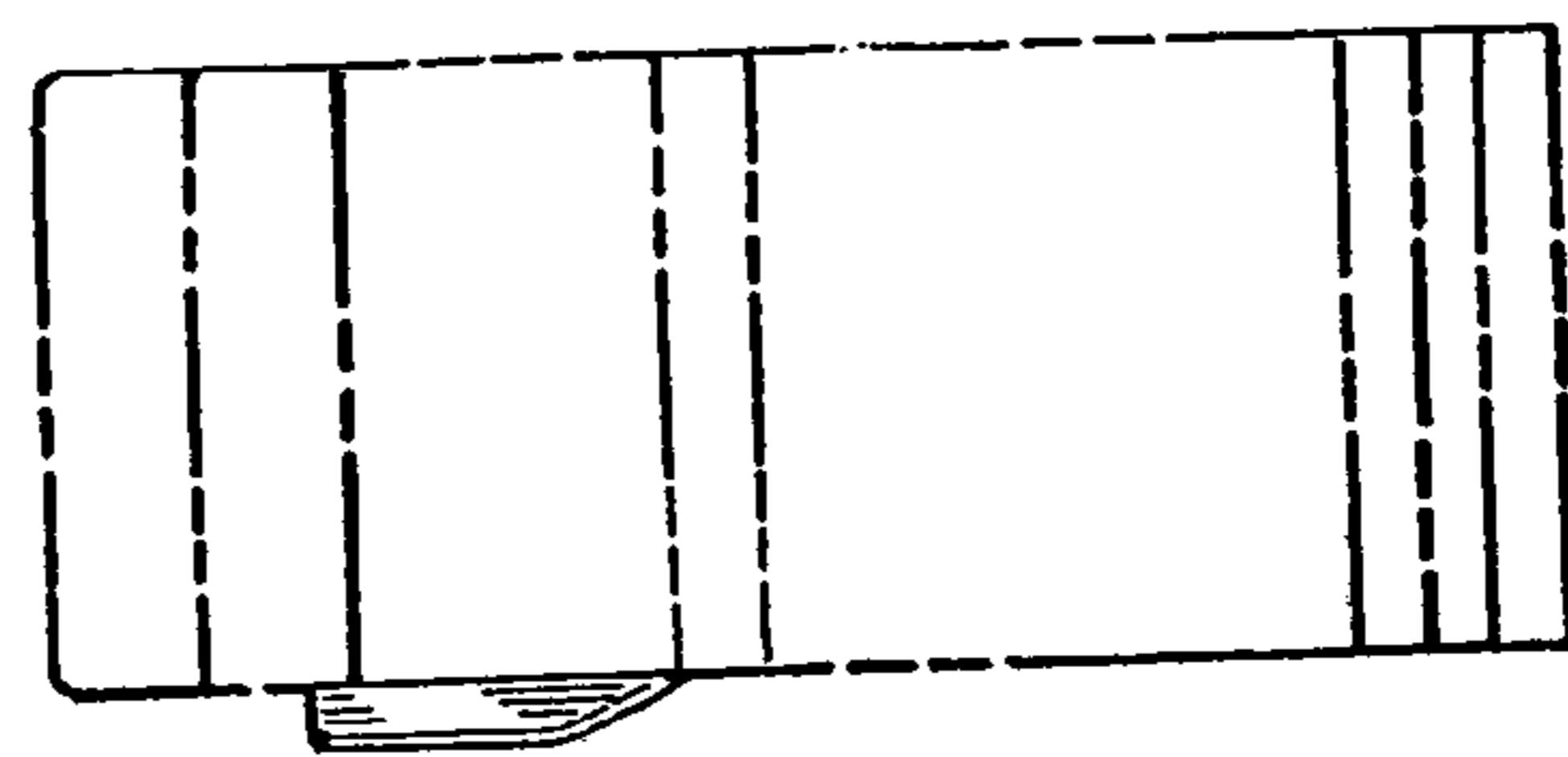
## OTHER PUBLICATIONS

Office Action, dated Mar. 23, 2007, 14 pages.  
Brochure, Keysystem 1, Retaining Wall System, copyrighted 2000, pp. 1-8.  
Case Study, Water Application, Keystone Retaining Wall System, Upper Cumberland River Flood Project, copyrighted 2000, pp. 1-4.  
Case Study, Governmental Application, Keystone Retaining Wall System, Port of Seattle Terminal #5 & SW Harbor Reclamation, copyrighted 2000, pp. 1-4.  
Keystone, Retaining Wall System, *The First to Last*, copyrighted 1997, pp. 1-19.

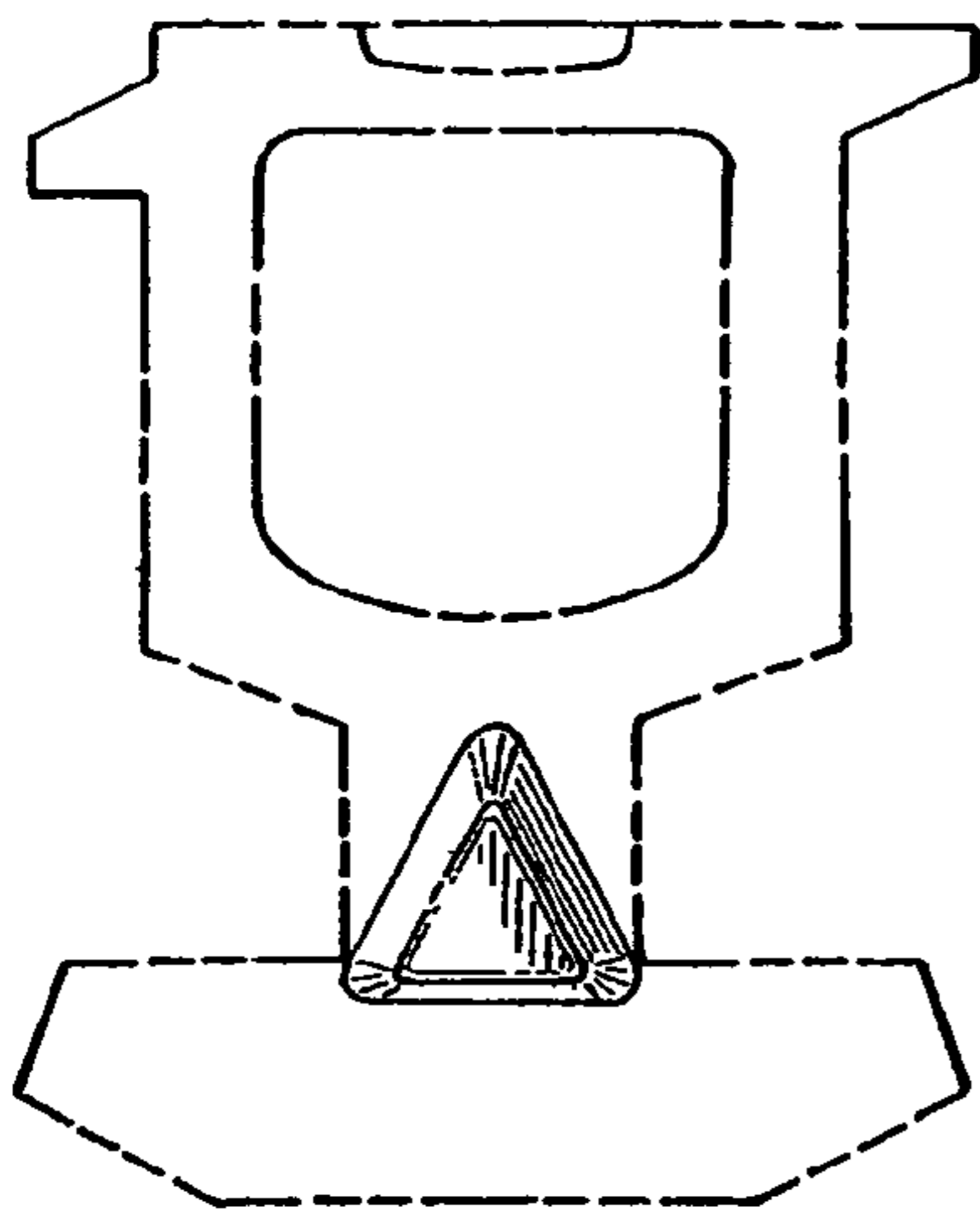
\* cited by examiner



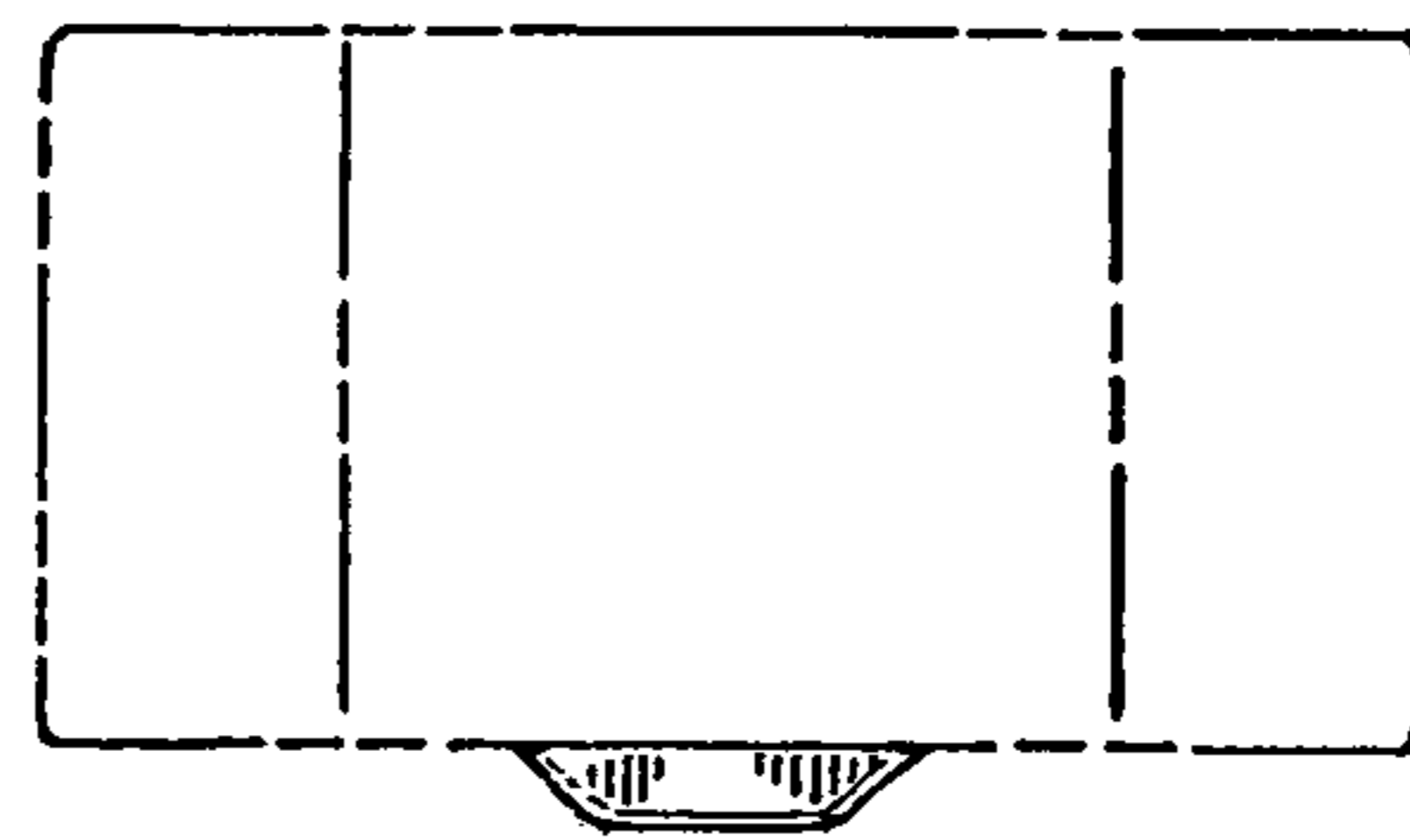
*Fig 1*



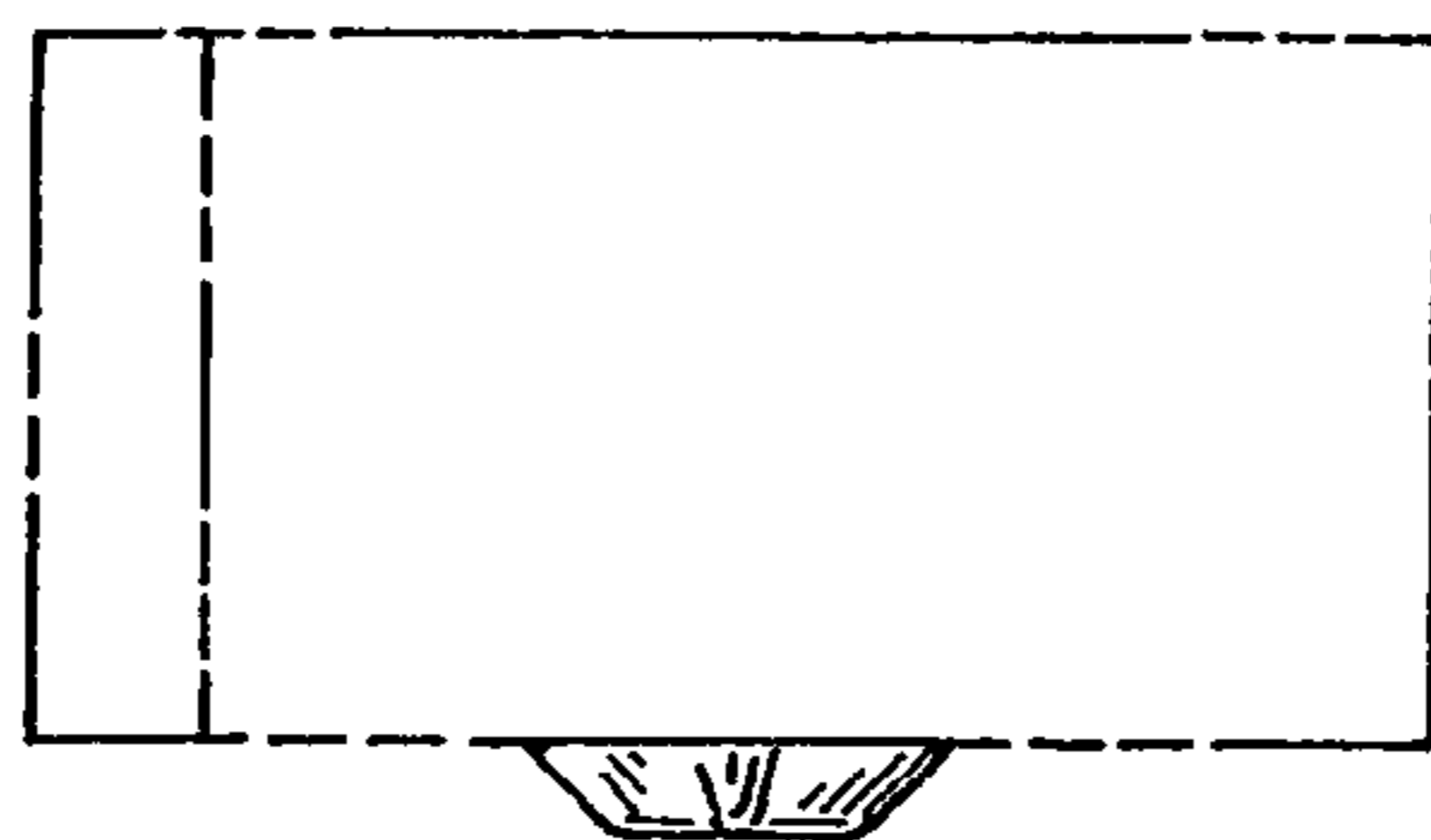
*Fig 2*



*Fig 3*



*Fig 4*



*Fig 5*