



US00D555807S

(12) **United States Design Patent**  
**Eriksson et al.**

(10) **Patent No.:** **US D555,807 S**

(45) **Date of Patent:** **\*\* Nov. 20, 2007**

(54) **LADDER SUPPORT**

*Primary Examiner*—Doris Clark

(75) Inventors: **Per-Olof Eriksson**, Tranas (SE); **Ove Gustafsson**, Tranas (SE)

(57) **CLAIM**

The ornamental design for a ladder support, as shown.

(73) Assignee: **Telesteps AB**, Tranas (SE)

(\*\*) Term: **14 Years**

**DESCRIPTION**

(21) Appl. No.: **29/264,492**

(22) Filed: **Aug. 10, 2006**

(51) **LOC (8) Cl.** ..... **25-04**

(52) **U.S. Cl.** ..... **D25/69**

(58) **Field of Classification Search** ..... D25/69;  
182/120, 132, 228.1

See application file for complete search history.

FIG. 1 is a side view of the ladder support from a first side;  
FIG. 2 is a side view of the ladder support from a second side;

FIG. 3 is a plan view of the ladder support as seen from the top;

FIG. 4 is a plan view of the ladder support as seen from below;

FIG. 5 is a side perspective view of the ladder support as seen from first side and the top;

FIG. 6 is a side perspective view of the ladder support as seen from the second side and the top; and,

FIG. 7 is a side perspective view of the ladder support as seen from the first and below.

(56) **References Cited**

**U.S. PATENT DOCUMENTS**

- 3,349,870 A \* 10/1967 Lieblein ..... 182/228.6
- D254,630 S \* 4/1980 Aberer et al. .... D25/69
- D258,839 S \* 4/1981 Broyles ..... D25/69
- 4,442,920 A \* 4/1984 Gronbeck et al. .... 182/199

\* cited by examiner

**1 Claim, 7 Drawing Sheets**

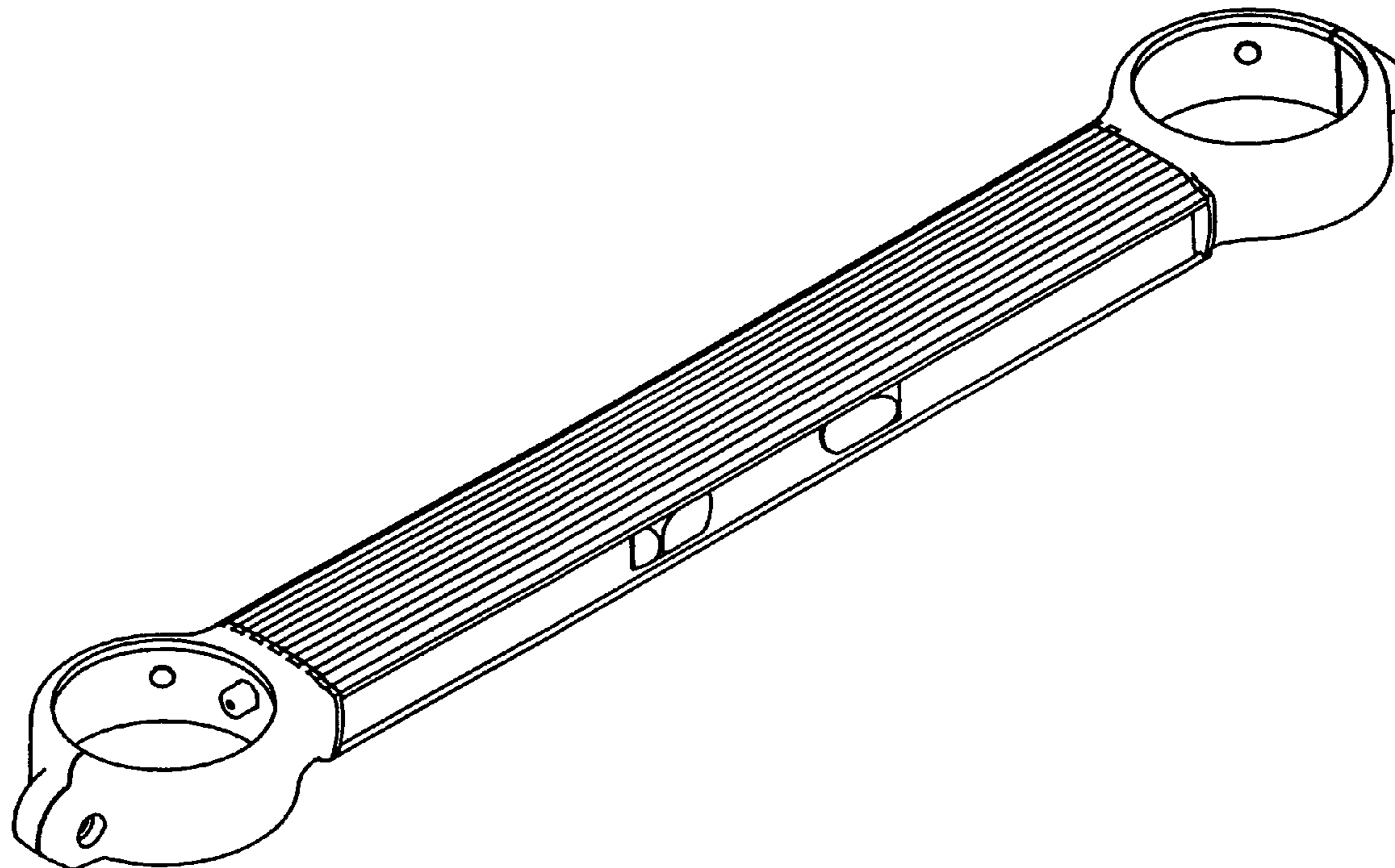




FIG. 1



FIG. 2

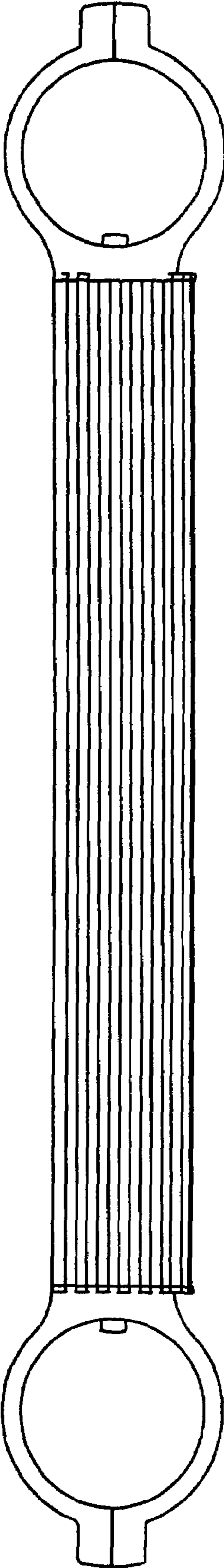


FIG. 3

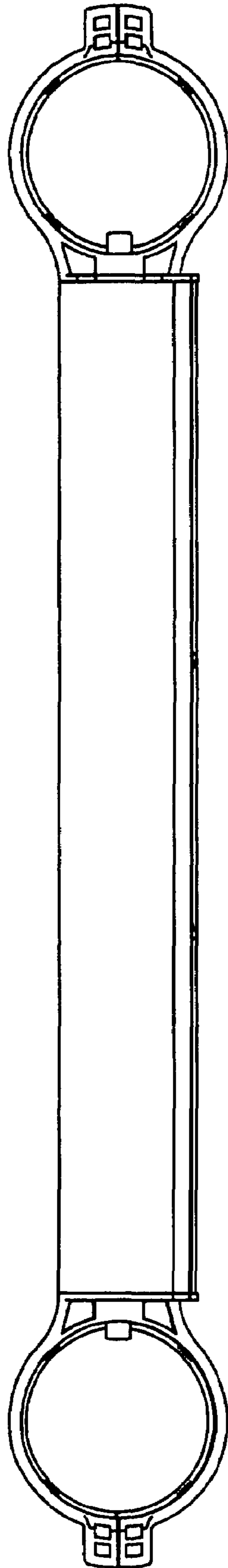


FIG. 4

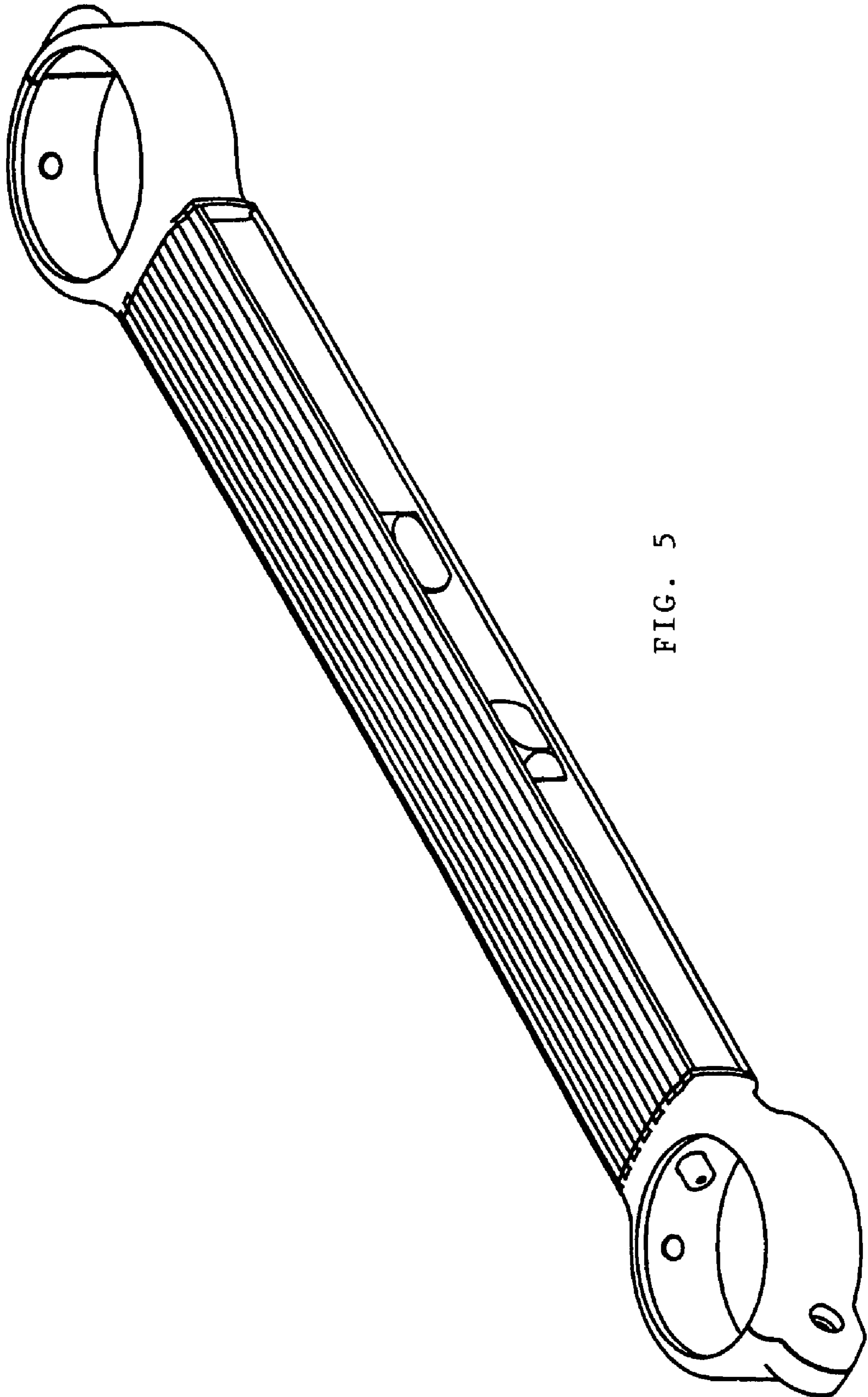


FIG. 5

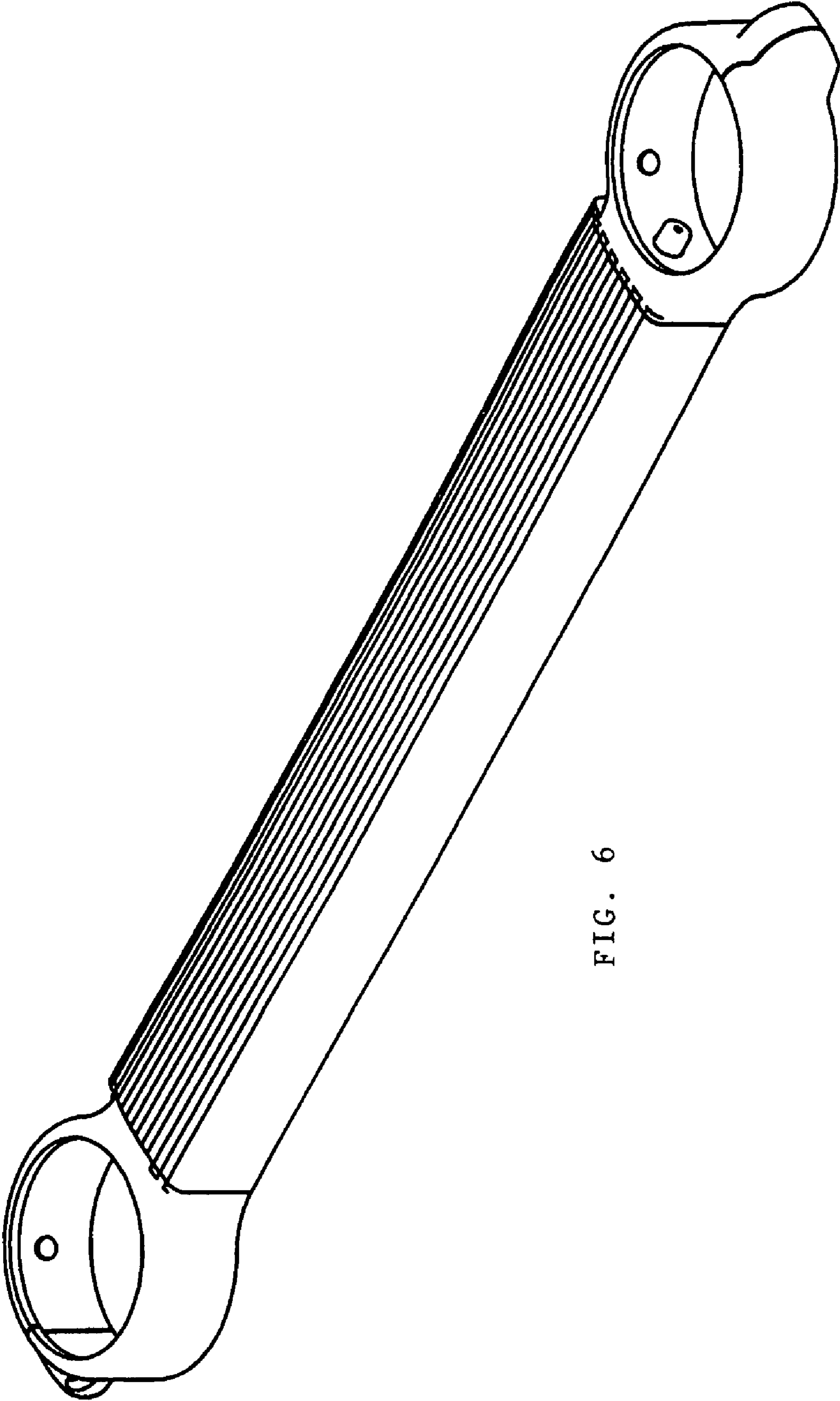


FIG. 6



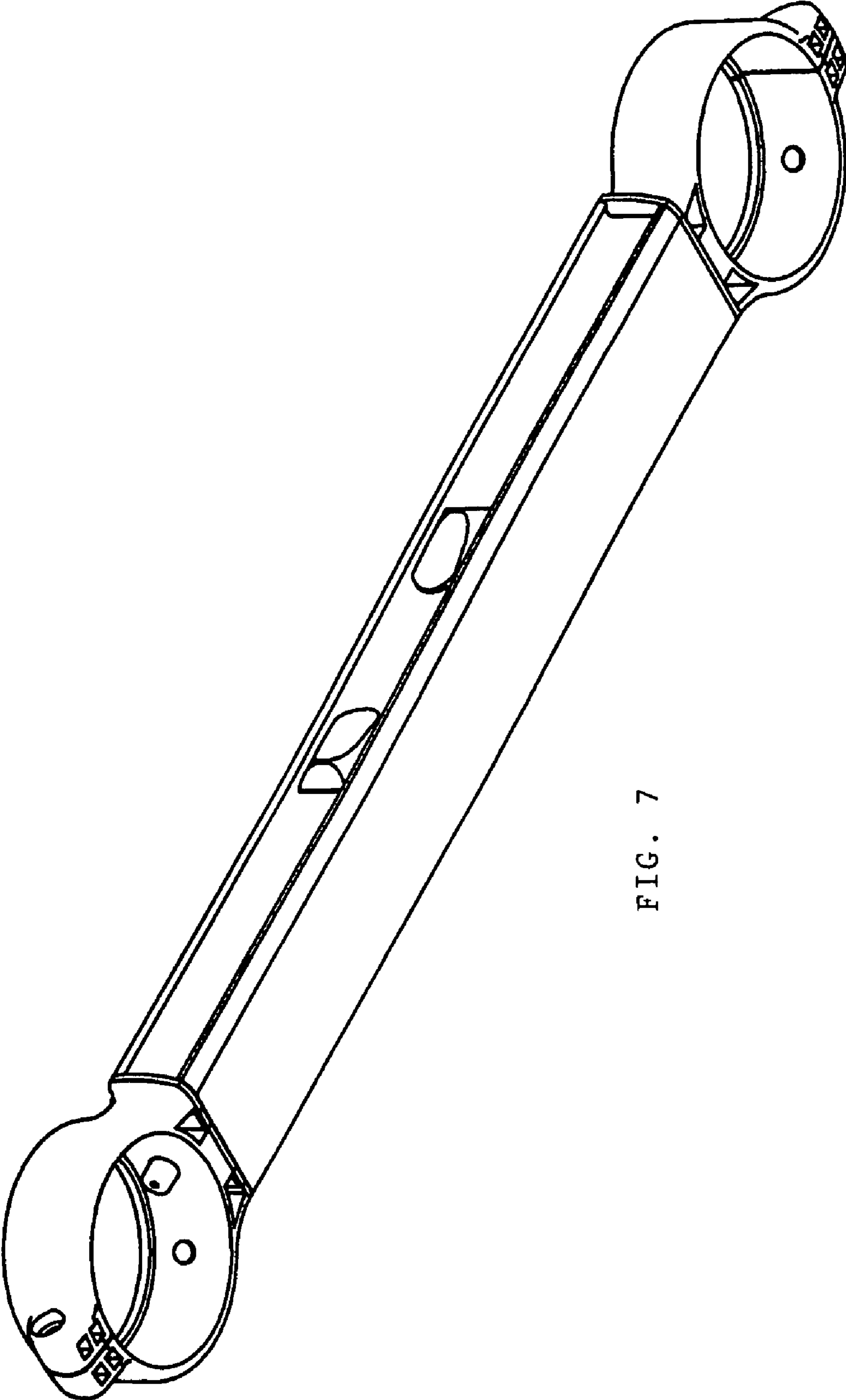


FIG. 7