



US00D555804S

(12) **United States Design Patent** (10) **Patent No.:** **US D555,804 S**  
**Christensen** (45) **Date of Patent:** **\*\* Nov. 20, 2007**

(54) **LOW PROFILE BARRIER**

D462,126 S 8/2002 Englund  
D519,646 S \* 4/2006 Wilmotte ..... D25/38  
D533,281 S \* 12/2006 Christensen et al. .... D25/38

(75) Inventor: **Marc E. Christensen**, Salt Lake City,  
UT (US)

**FOREIGN PATENT DOCUMENTS**

(73) Assignee: **Off the Wall Products, LLC**, Salt Lake  
City, UT (US)

AU B-50241/93 8/1994  
EP 0 550 362 A1 7/1993

(\*\*) Term: **14 Years**

**OTHER PUBLICATIONS**

(21) Appl. No.: **29/277,119**

Multi-Barrier, Model AR-10x96 Specification, Jan. 2003.

(22) Filed: **Feb. 14, 2007**

\* cited by examiner

**Related U.S. Application Data**

*Primary Examiner*—Doris Clark

(62) Division of application No. 29/241,112, filed on Oct.  
24, 2005.

(74) *Attorney, Agent, or Firm*—Workman Nydegger

(51) **LOC (8) Cl.** ..... **25-02**

(57) **CLAIM**

(52) **U.S. Cl.** ..... **D25/38; D25/164**

The ornamental design for a low profile barrier, as shown  
and described.

(58) **Field of Classification Search** ..... D25/38,  
D25/164; 404/6; 52/102; 256/13.1; 49/49,  
49/34, 9

**DESCRIPTION**

See application file for complete search history.

FIG. 1 is a top perspective view of a low profile barrier  
showing my new design;

(56) **References Cited**

**U.S. PATENT DOCUMENTS**

4,143,857 A 3/1979 Weiner  
4,681,302 A 7/1987 Thompson  
5,011,325 A 4/1991 Antoniol  
5,123,773 A 6/1992 Yodock  
5,611,641 A 3/1997 Christensen  
5,639,179 A 6/1997 Jensen  
D400,264 S 10/1998 Striefel et al.  
5,836,714 A 11/1998 Christensen  
5,988,934 A 11/1999 Wasserstrom  
6,086,285 A 7/2000 Christensen

FIG. 2 is a bottom perspective view thereof;

FIG. 3 is an elevated front view thereof;

FIG. 4 is an elevated back view thereof;

FIG. 5 is an elevated left side view thereof;

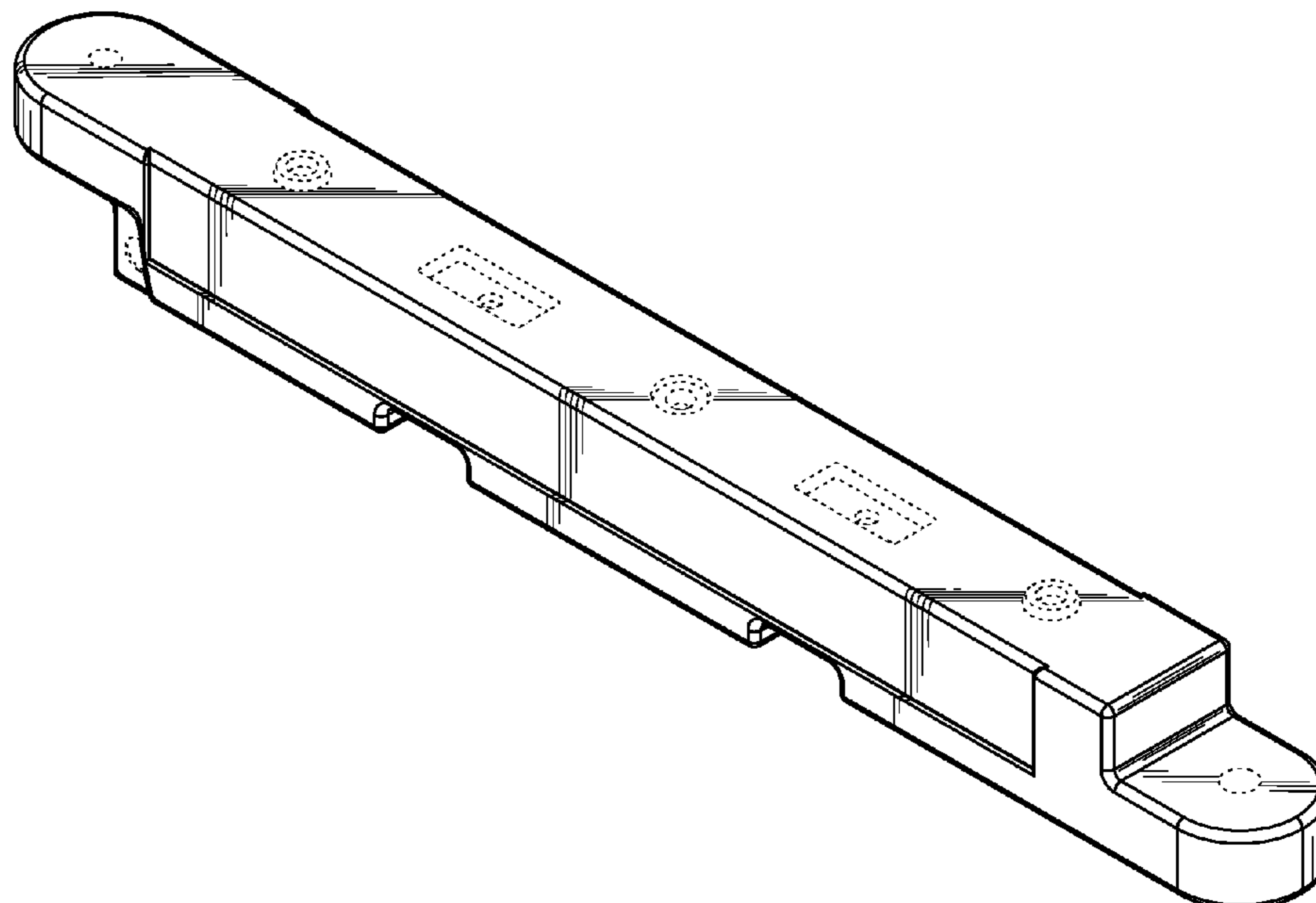
FIG. 6 is an elevated right side view thereof;

FIG. 7 is a top plan view thereof; and,

FIG. 8 is a bottom plan view thereof.

The broken lines are for illustrative purposes only and form  
no part of the claimed design.

**1 Claim, 3 Drawing Sheets**



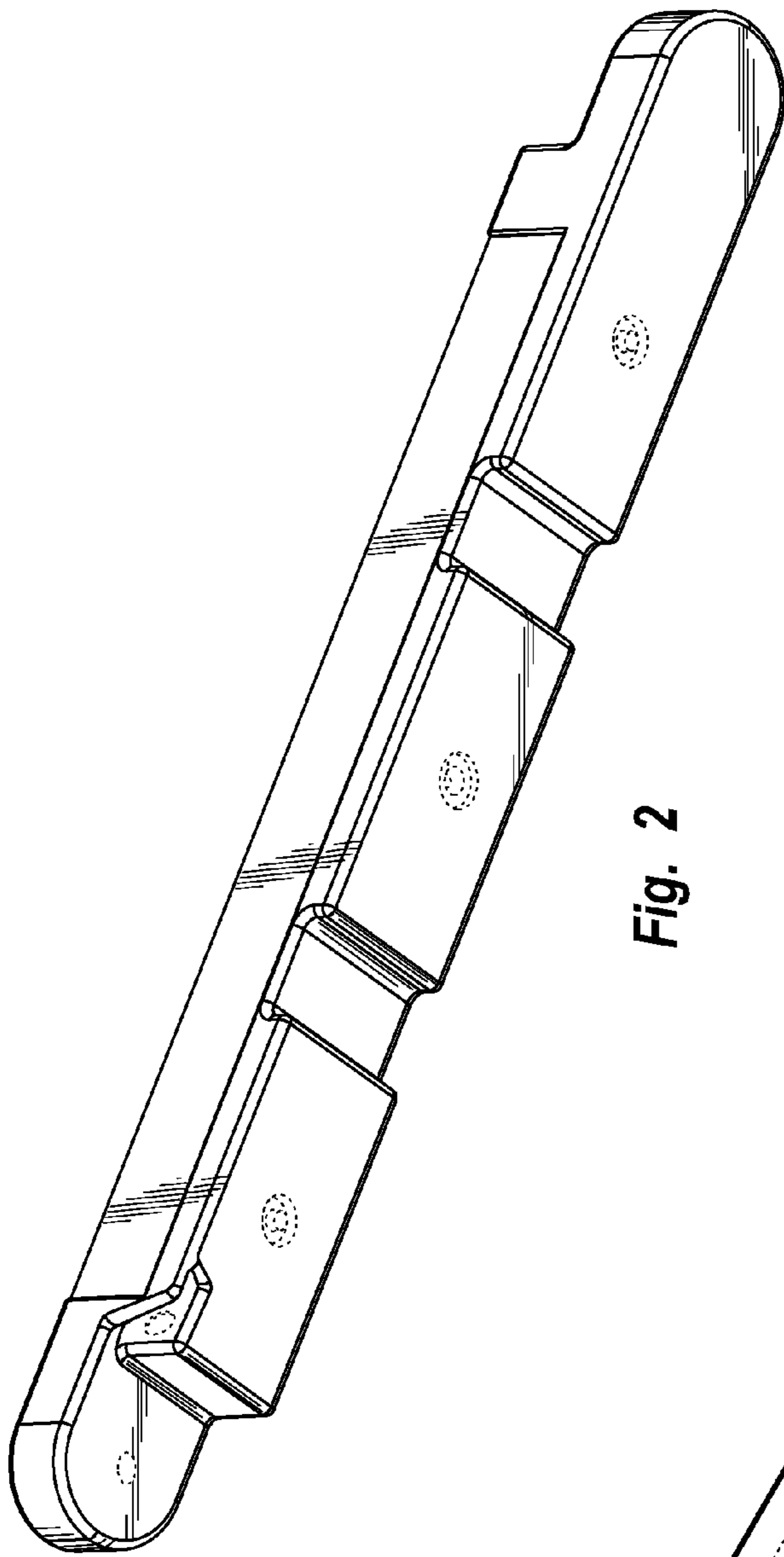


Fig. 2

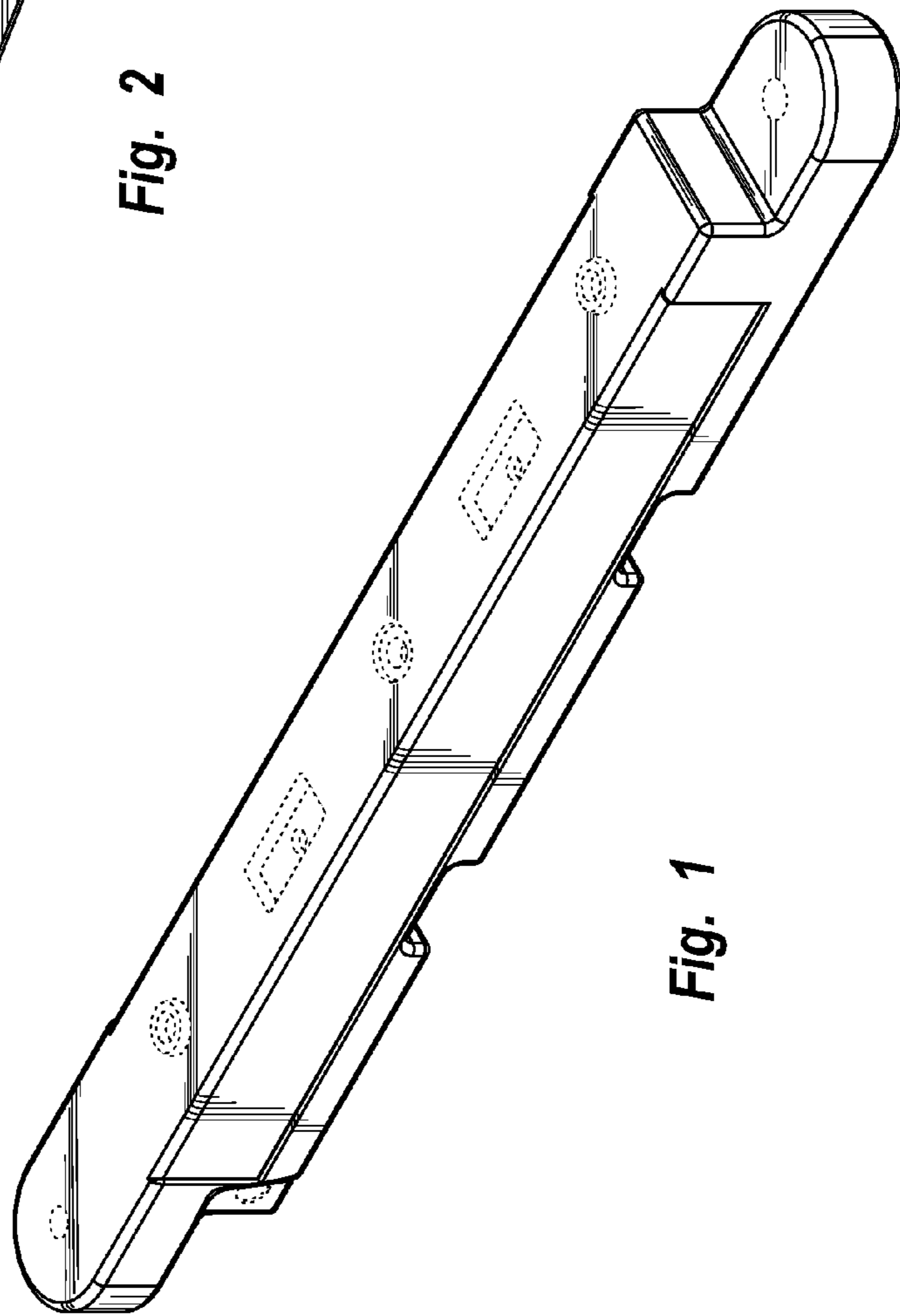
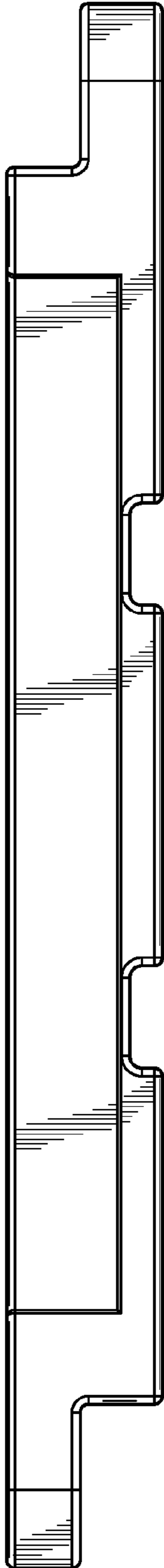
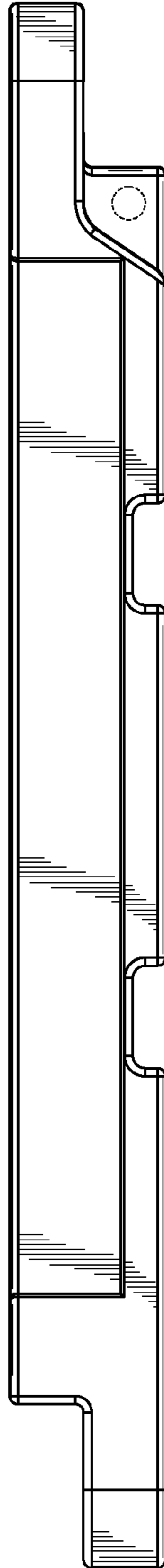


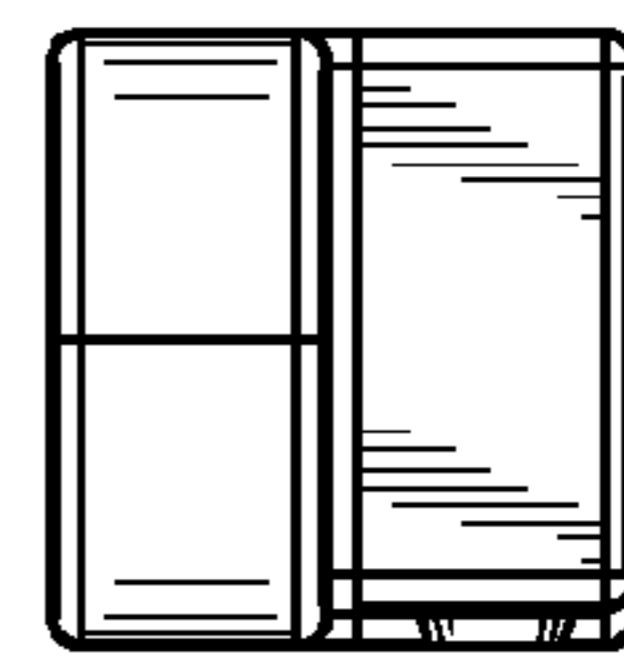
Fig. 1



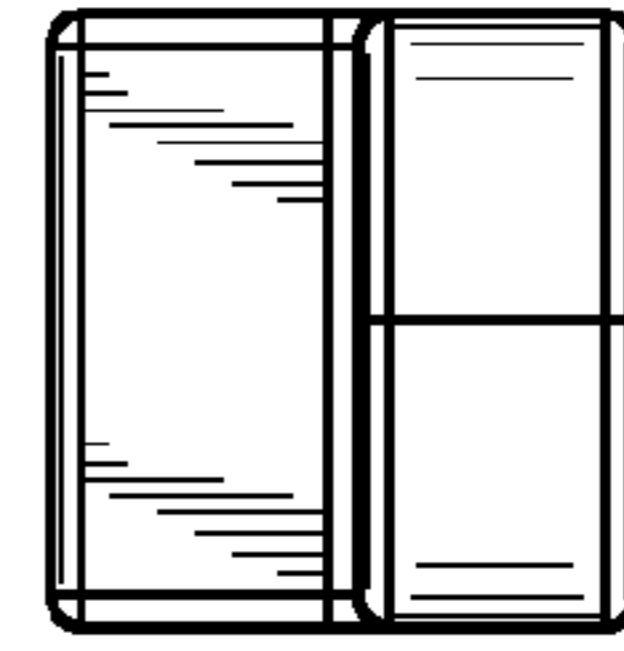
*Fig. 3*



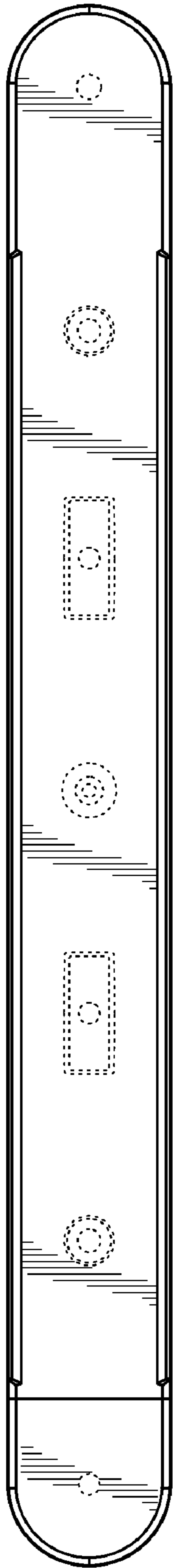
*Fig. 4*



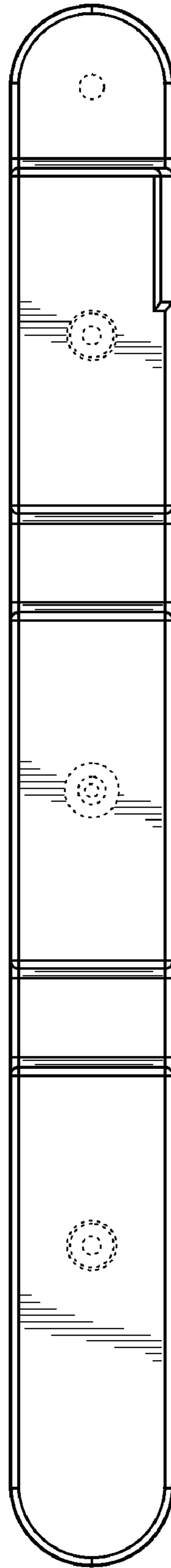
*Fig. 5*



*Fig. 6*



**Fig. 7**



**Fig. 8**