

US00D555802S

(12) **United States Design Patent**
Coulling et al.

(10) **Patent No.:** **US D555,802 S**

(45) **Date of Patent:** **** Nov. 20, 2007**

(54) **SCREW CAP FOR SCREW CAPPED TUBE**

D375,019 S * 10/1996 Goto et al. D7/392.1
D401,697 S * 11/1998 Cloonan et al. D24/224
D476,890 S * 7/2003 Hirose D9/440

(75) Inventors: **Jeffrey Leonard Coulling**, Kent (GB);
Clive Ian Harrison, Kent (GB)

* cited by examiner

(73) Assignee: **Advanced Biotechnologies Limited**,
Epsom, Surrey (GB)

Primary Examiner—Doris Clark

Assistant Examiner—Anhdao Doan

(**) Term: **14 Years**

(74) *Attorney, Agent, or Firm*—Wood, Herron & Evans,
LLP

(21) Appl. No.: **29/242,083**

(57) **CLAIM**

(22) Filed: **Nov. 4, 2005**

The ornamental design for a screw cap for screw capped tube, as shown and described.

(51) **LOC (8) Cl.** **24-01**

(52) **U.S. Cl.** **D24/224**

(58) **Field of Classification Search** D24/216–230,
D24/110, 121; D9/439, 440, 503, 521; 422/99–102,
422/104; 435/288.1, 288.2, 294.1, 295.1;
356/246; 215/227–296; D3/203.1, 203.2
See application file for complete search history.

DESCRIPTION

FIG. 1 is a front elevational view of a screw cap for screw capped tube incorporating the design of our new invention;

FIG. 2 is a left-side elevational view thereof;

FIG. 3 is a right-side elevational view thereof;

FIG. 4 is a rear elevational view thereof;

FIG. 5 is a top plan view thereof;

FIG. 6 is a bottom plan view thereof;

FIG. 7 is a cross-sectional view thereof taken along line 7—7 of FIG. 5; and,

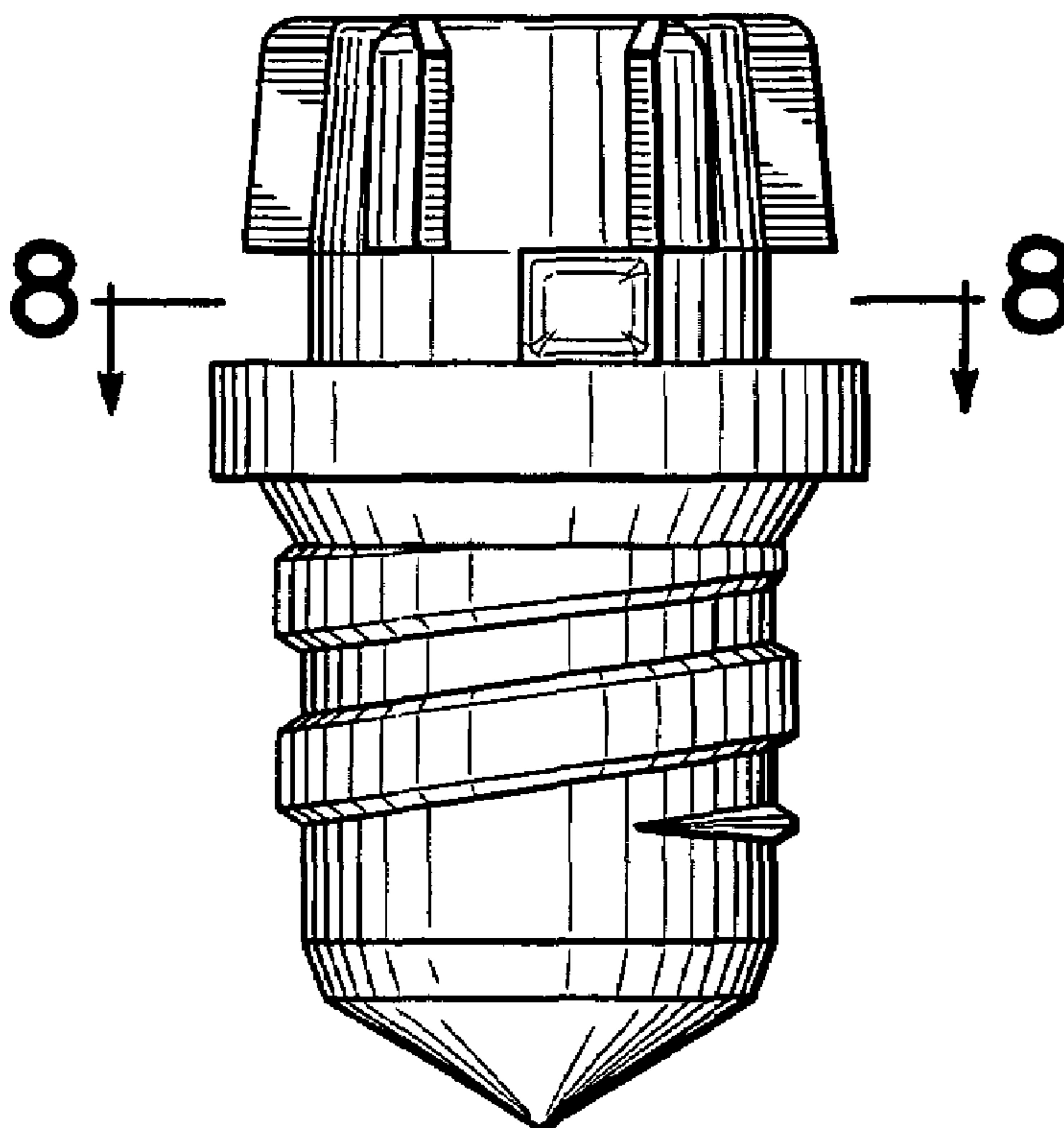
FIG. 8 is a cross-sectional view thereof taken along line 8—8 of FIG. 1.

(56) **References Cited**

U.S. PATENT DOCUMENTS

D243,628 S * 3/1977 Biondo D24/224
D246,698 S * 12/1977 Morris D9/439
D289,378 S * 4/1987 Miskinis D9/439
D289,796 S * 5/1987 Larkin D24/224
D301,117 S * 5/1989 Baxter D9/439
D315,680 S * 3/1991 Baxter D9/439
5,038,958 A * 8/1991 Dreier 220/366.1

1 Claim, 2 Drawing Sheets



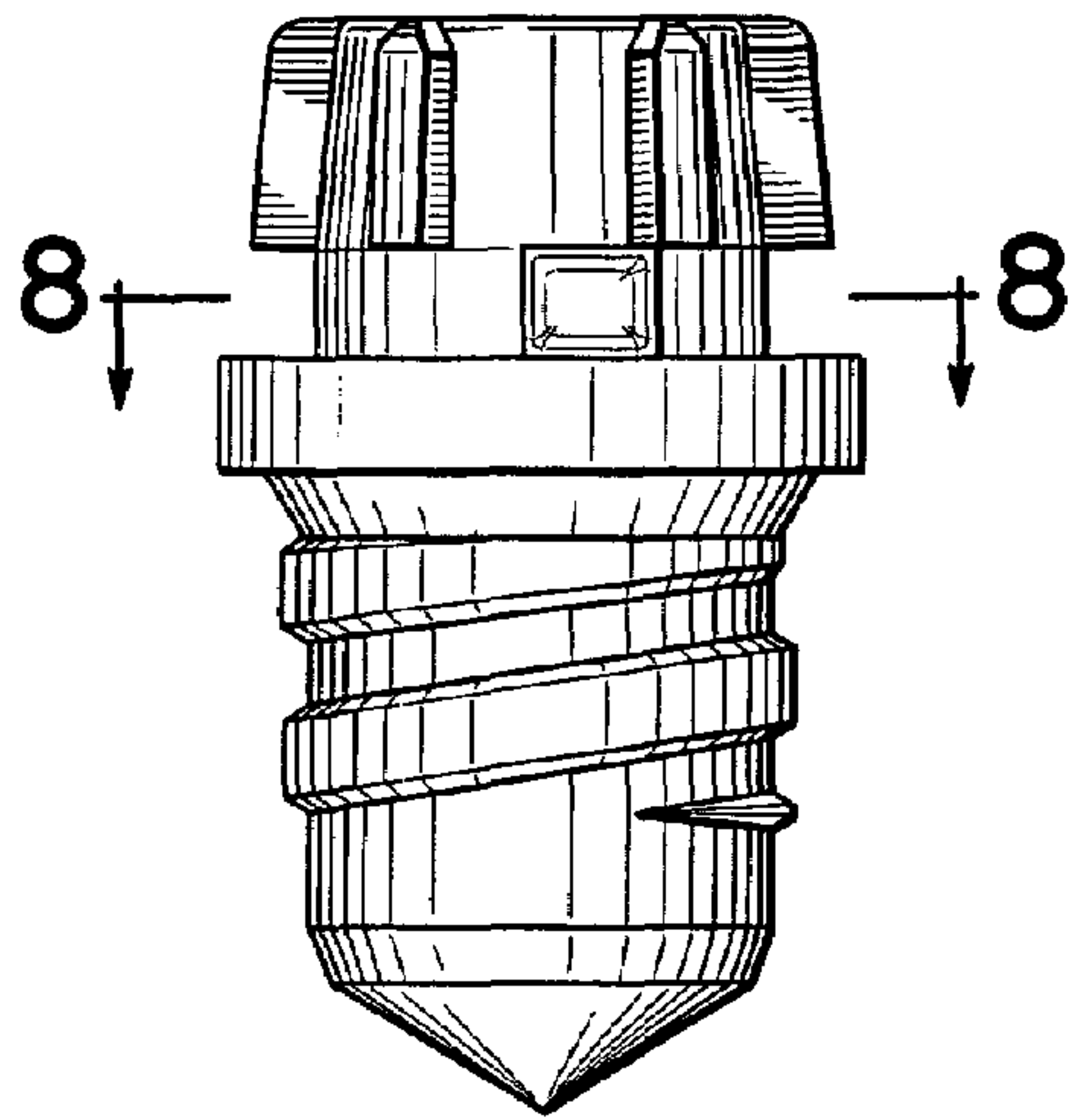


FIG. 1

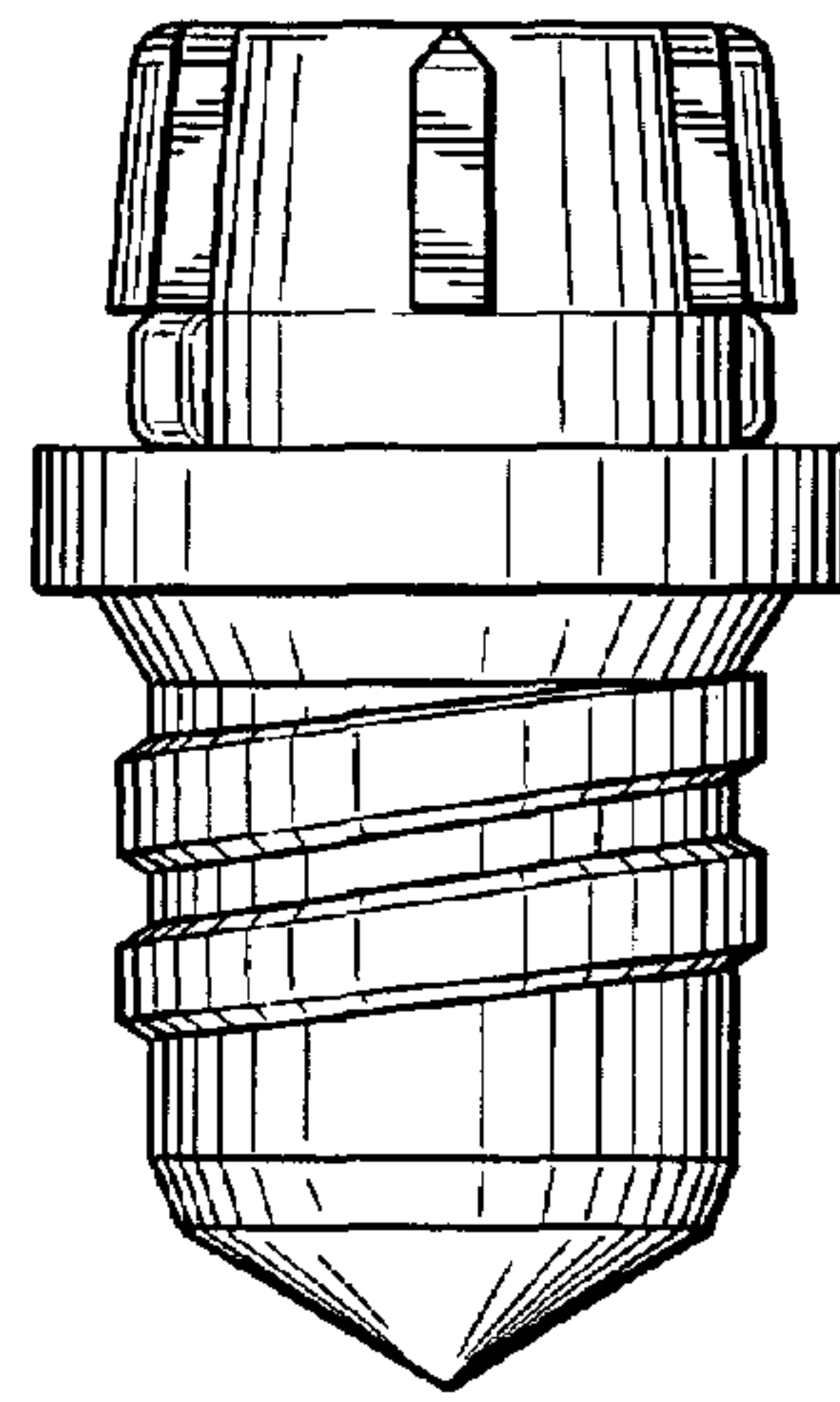


FIG. 2

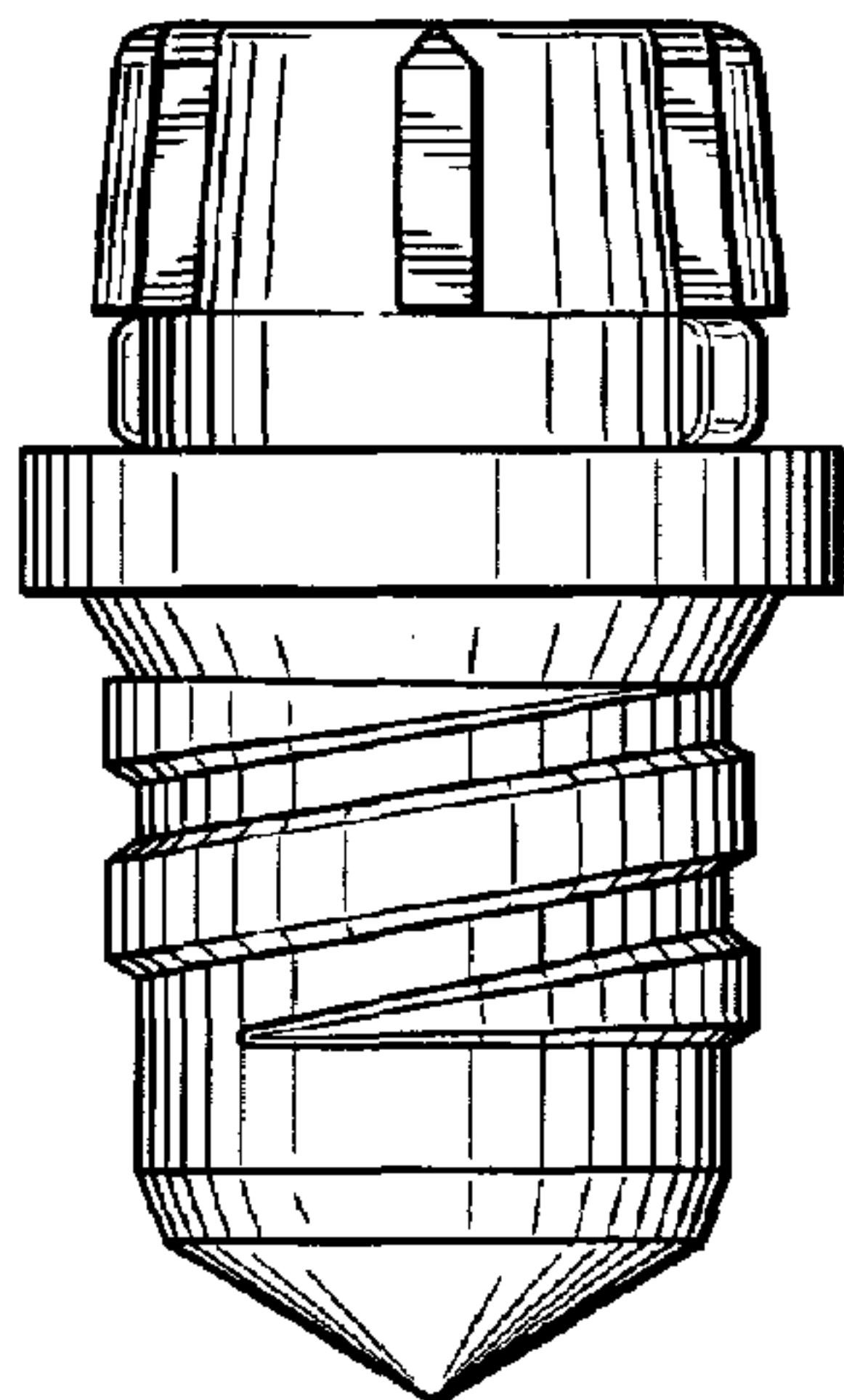


FIG. 3

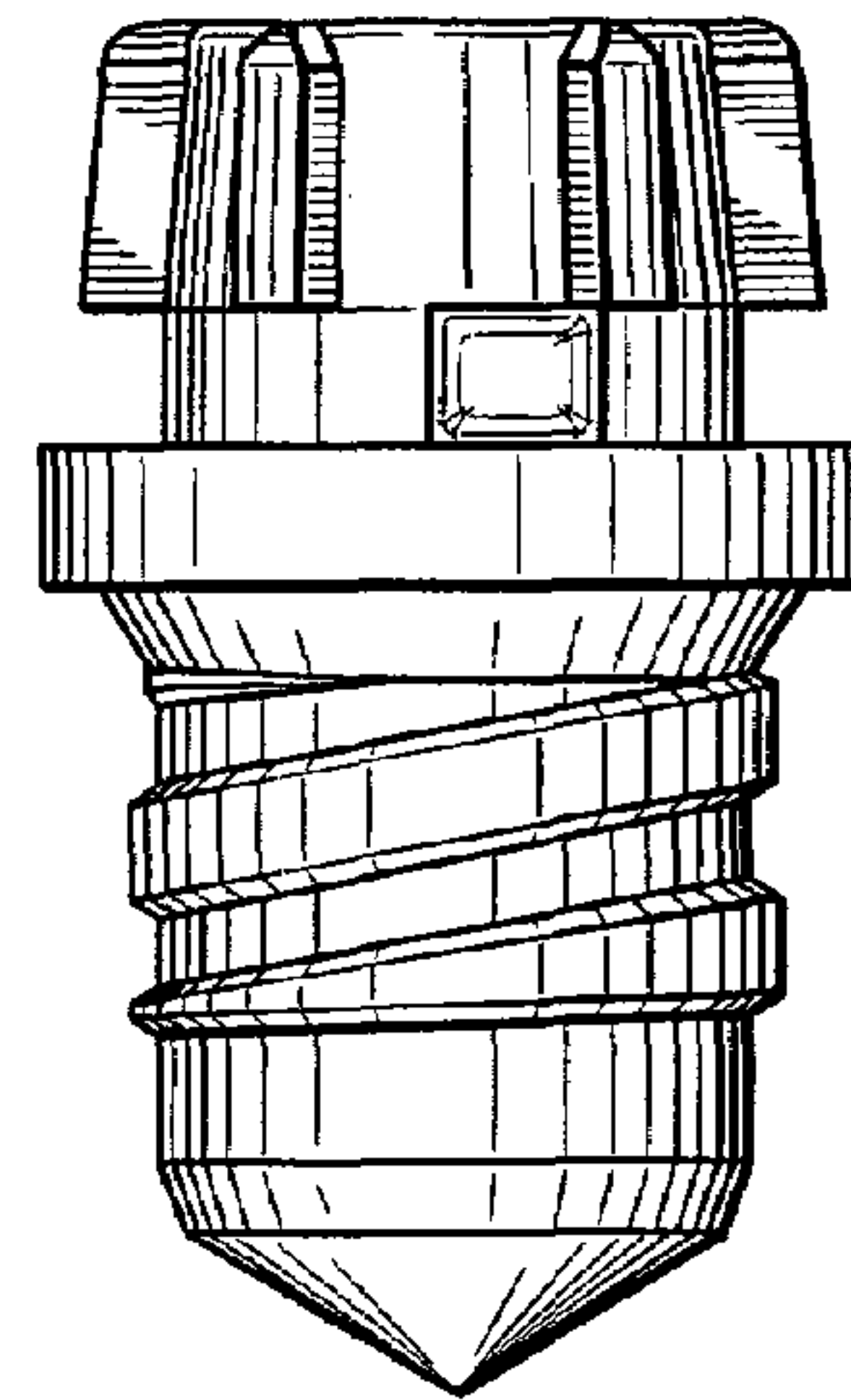


FIG. 4

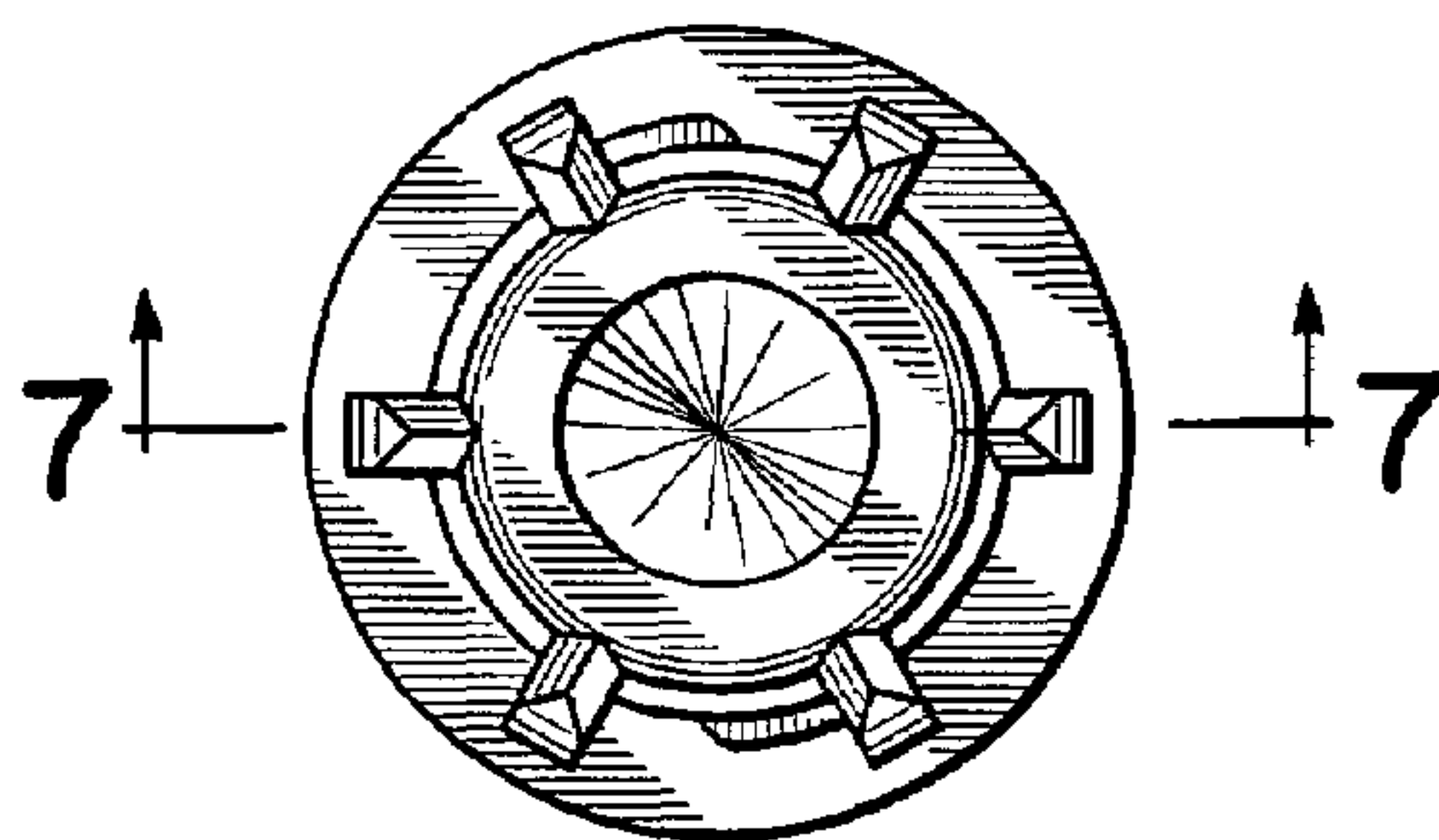


FIG. 5

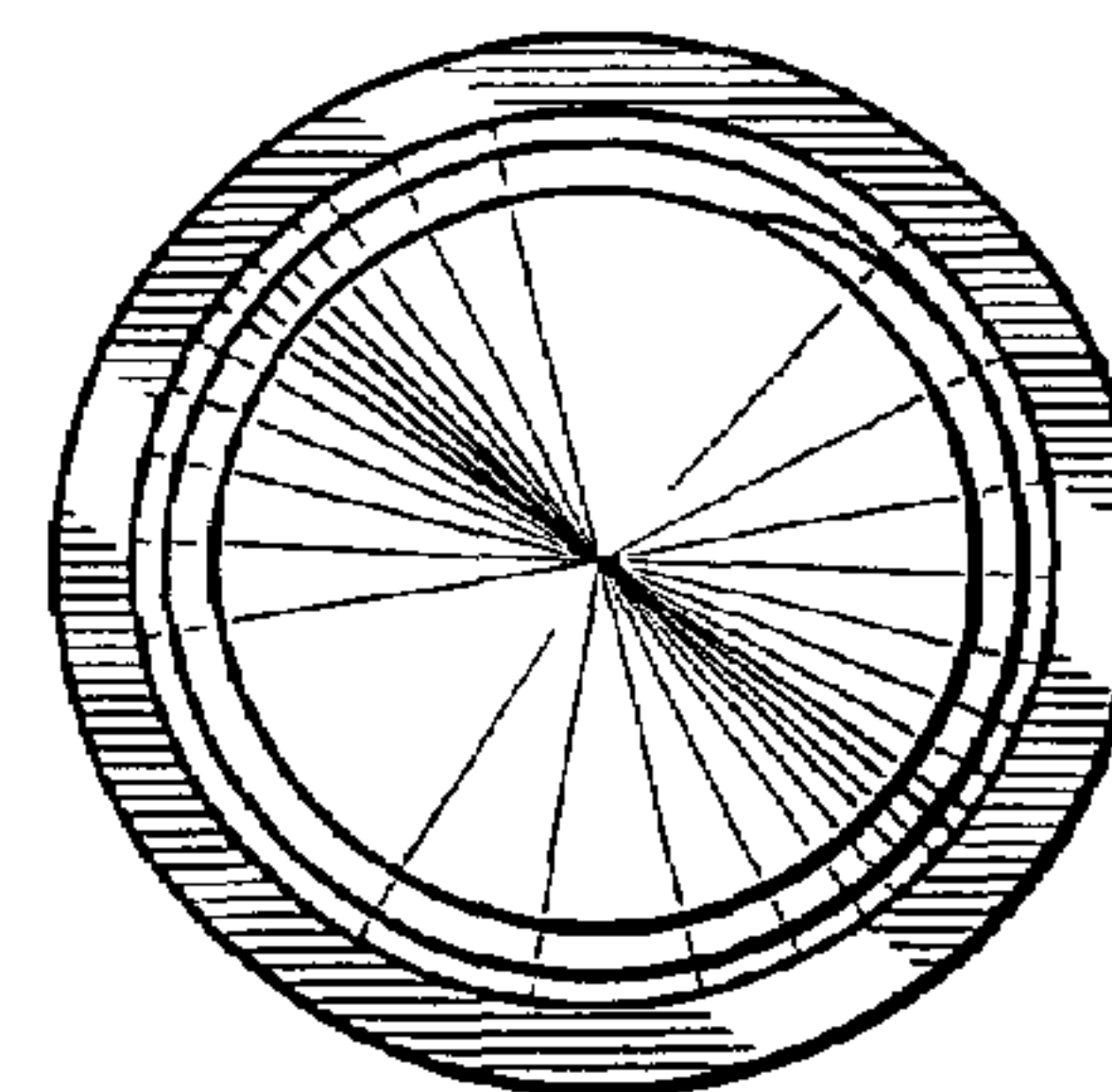


FIG. 6

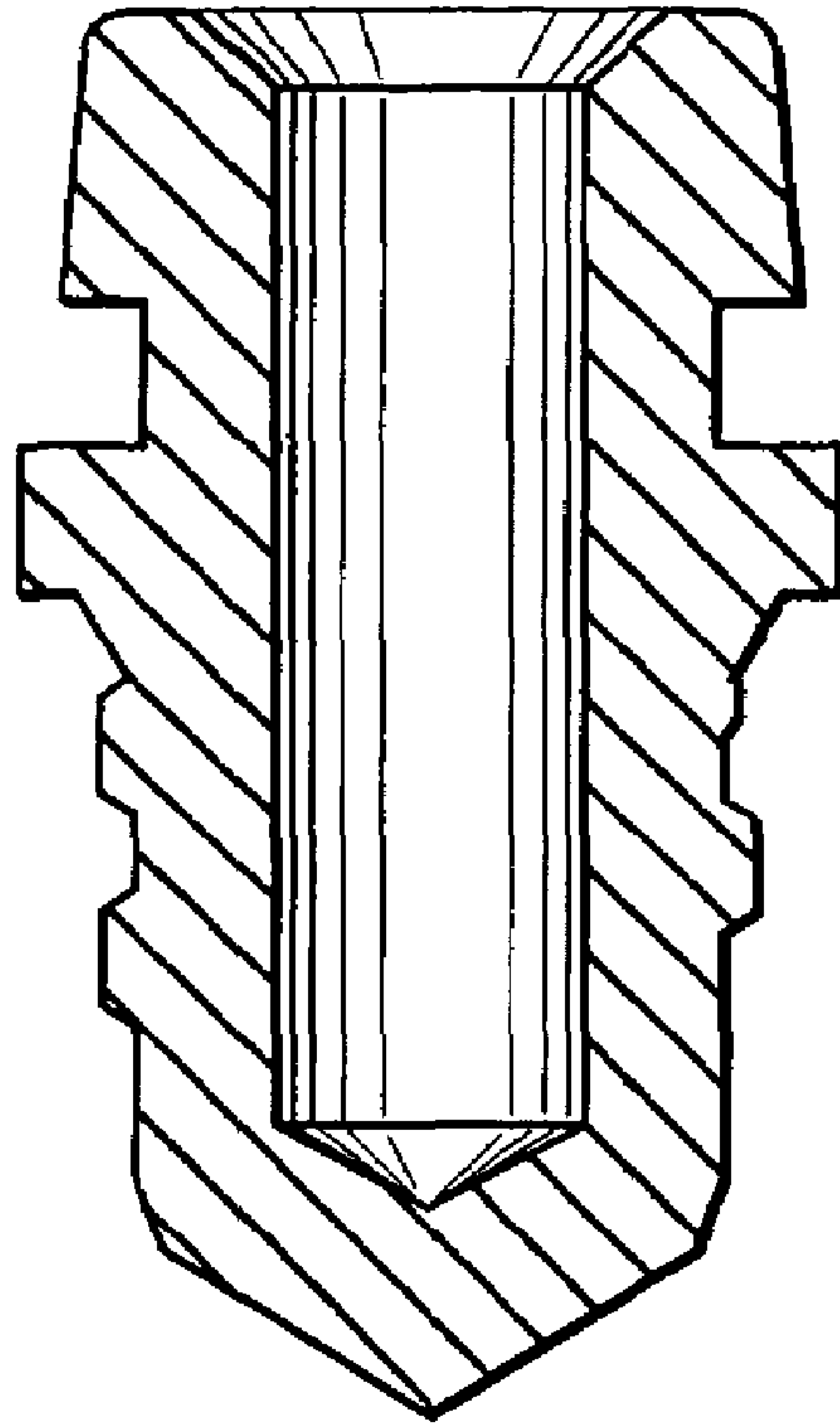


FIG. 7

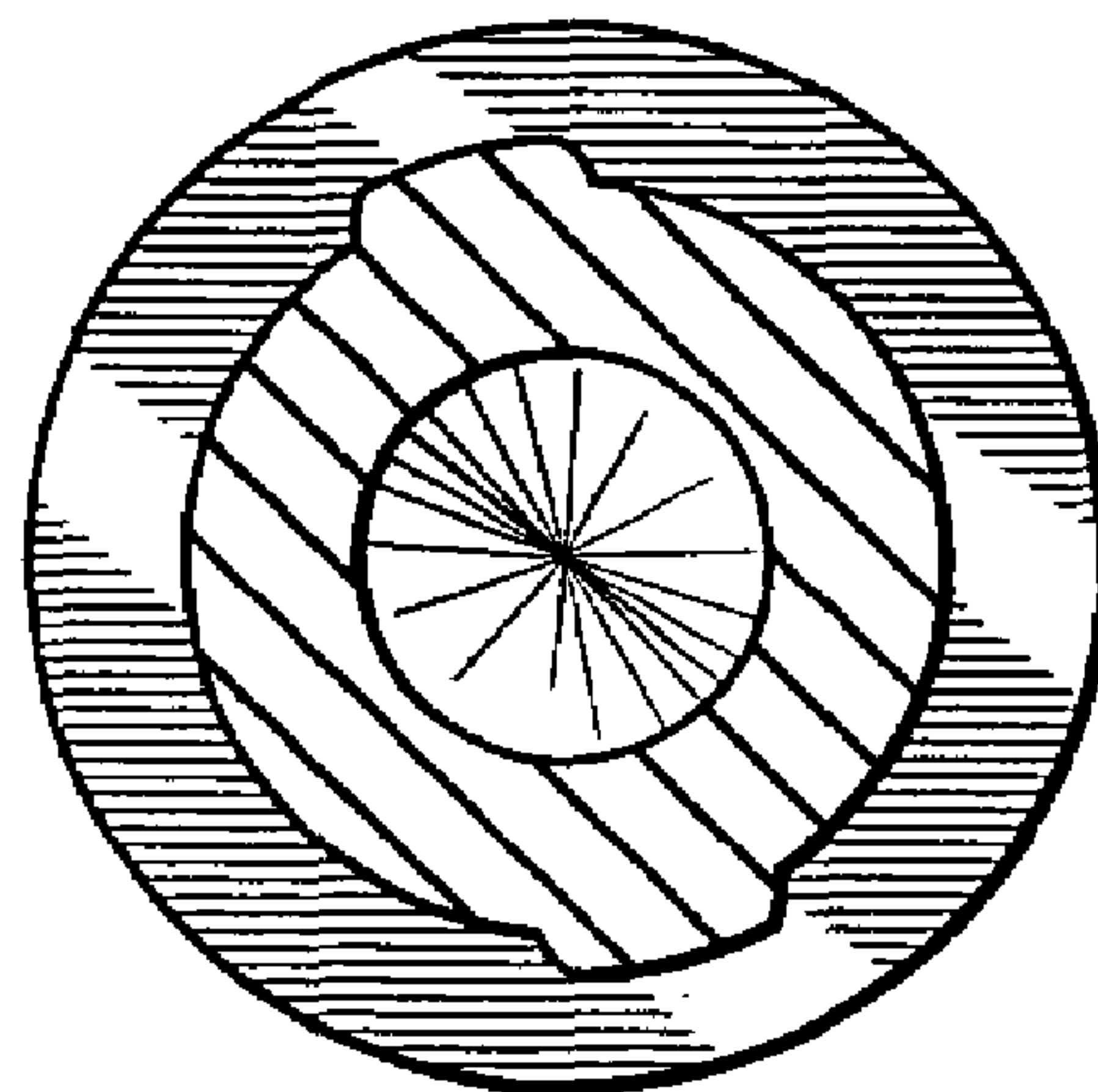


FIG. 8