



US00D555792S

(12) **United States Design Patent**
Haymann et al.

(10) **Patent No.:** **US D555,792 S**

(45) **Date of Patent:** **** Nov. 20, 2007**

(54) **DENTAL LABORATORY SYSTEM WORKSTATION**

(75) Inventors: **Basil A. Haymann**, Dallas, TX (US);
Robert Duerr, Plano, TX (US); **Joel Witt**, Dallas, TX (US); **Jorey A. Chernett**, Plano, TX (US)

(73) Assignee: **D4D Technologies, LLC**, Richardson, TX (US)

(**) Term: **14 Years**

(21) Appl. No.: **29/233,791**

(22) Filed: **Jul. 8, 2005**

(51) **LOC (8) Cl.** **24-03**

(52) **U.S. Cl.** **D24/177**

(58) **Field of Classification Search** D24/156,
D24/152, 177, 179, 180, 181, 82, 232, 186;
434/72, 125, 103-105, 52-54, 25, 27-28,
434/77-79; 433/34, 54, 60, 61, 77, 78, 213,
433/3; D14/305; 600/407, 427

See application file for complete search history.

(56) **References Cited**

U.S. PATENT DOCUMENTS

2,138,563	A	*	11/1938	Voorhees, Jr.	433/78
3,271,859	A	*	9/1966	Horowitz et al.	433/78
D215,932	S	*	11/1969	Jarl et al.	D24/234
D218,167	S	*	7/1970	Nielsen et al.	D24/177
D224,536	S	*	8/1972	Gardella	D24/177
D239,535	S	*	4/1976	Germek	D24/177

D280,100	S	*	8/1985	Ungar	D14/305
D302,585	S	*	8/1989	Elliott	D24/177
D322,857	S	*	12/1991	Bacus	D24/234
D330,544	S	*	10/1992	Kane	D14/305
D332,313	S	*	1/1993	Bailey et al.	D24/177
D346,658	S	*	5/1994	Bailey et al.	D24/177
D351,911	S	*	10/1994	Myers	D24/177
D366,318	S	*	1/1996	Lukac et al.	D24/177
D434,412	S	*	11/2000	Creech et al.	D14/305

* cited by examiner

Primary Examiner—Charles A. Rademaker

(74) *Attorney, Agent, or Firm*—David H. Judson

(57) **CLAIM**

The ornamental design for dental laboratory system workstation, as shown and described.

DESCRIPTION

FIG. 1 is a top and left side perspective view of a dental laboratory system workstation showing our new design;

FIG. 2 is a top plan view thereof;

FIG. 3 is a top and right side perspective view thereof;

FIG. 4 is a left side elevation thereof;

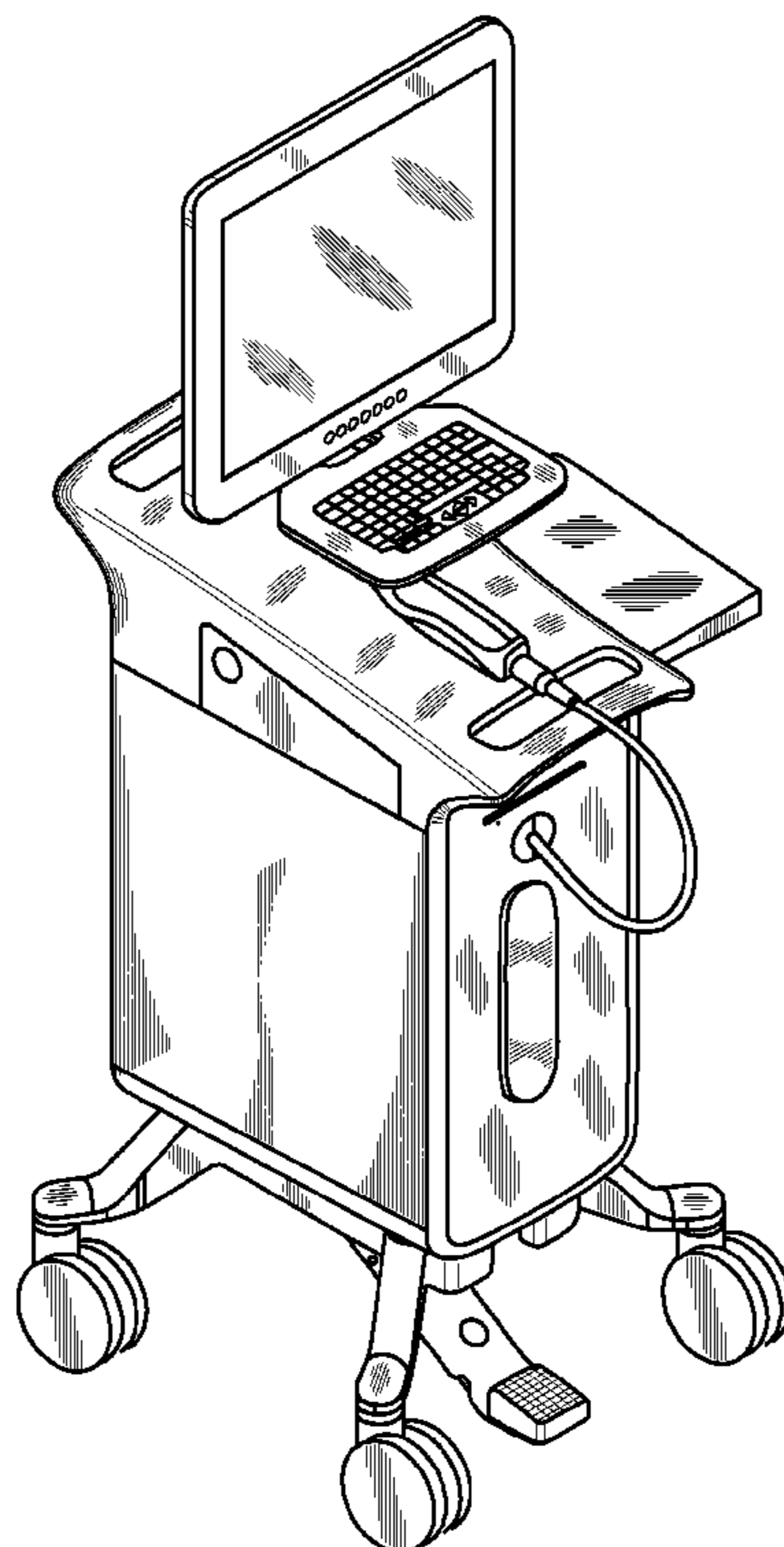
FIG. 5 is a front elevation thereof;

FIG. 6 is a right side elevation thereof;

FIG. 7 is a rear elevation thereof; and,

FIG. 8 is a bottom plan view thereof.

1 Claim, 8 Drawing Sheets



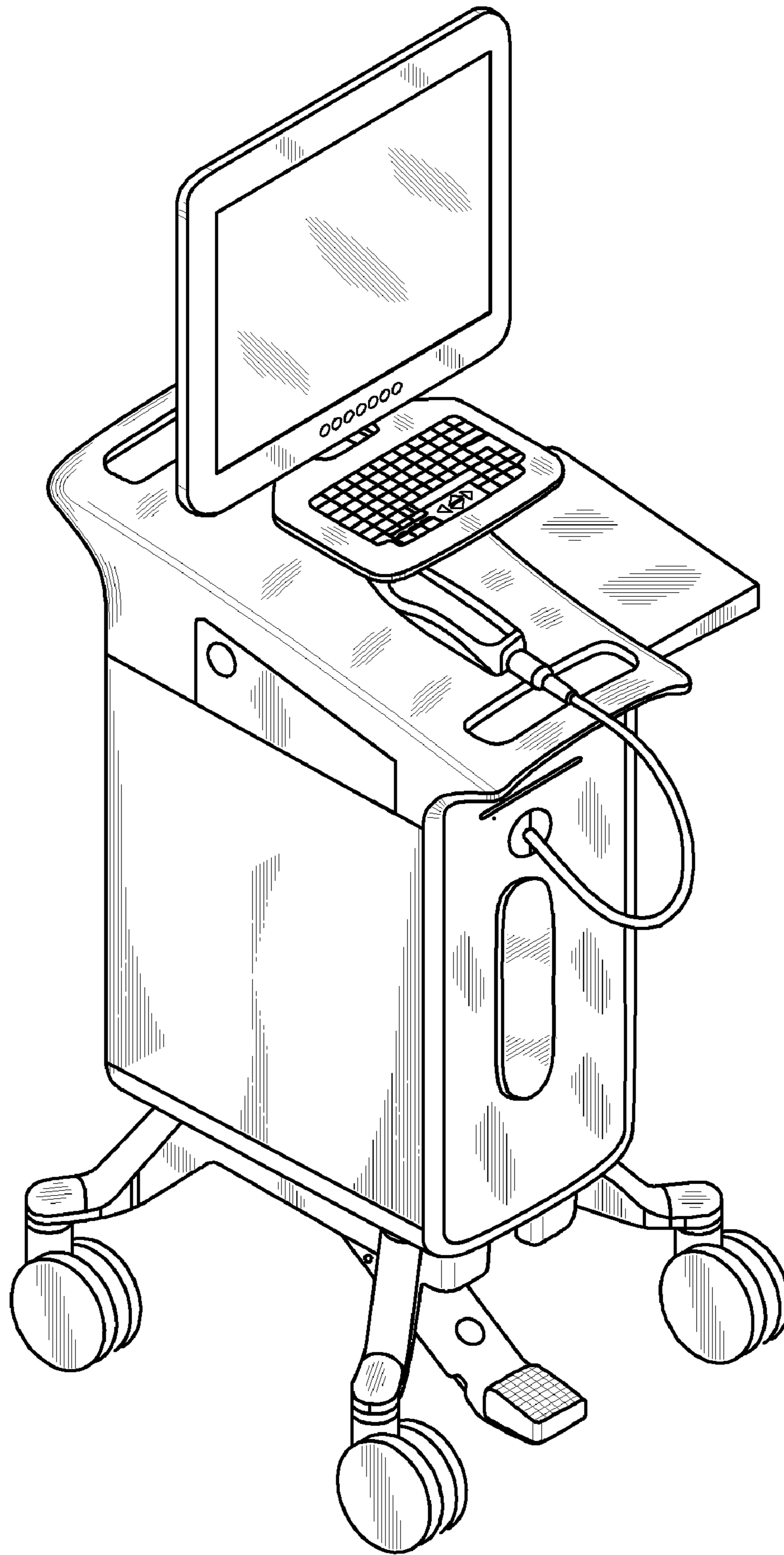


FIG. 1

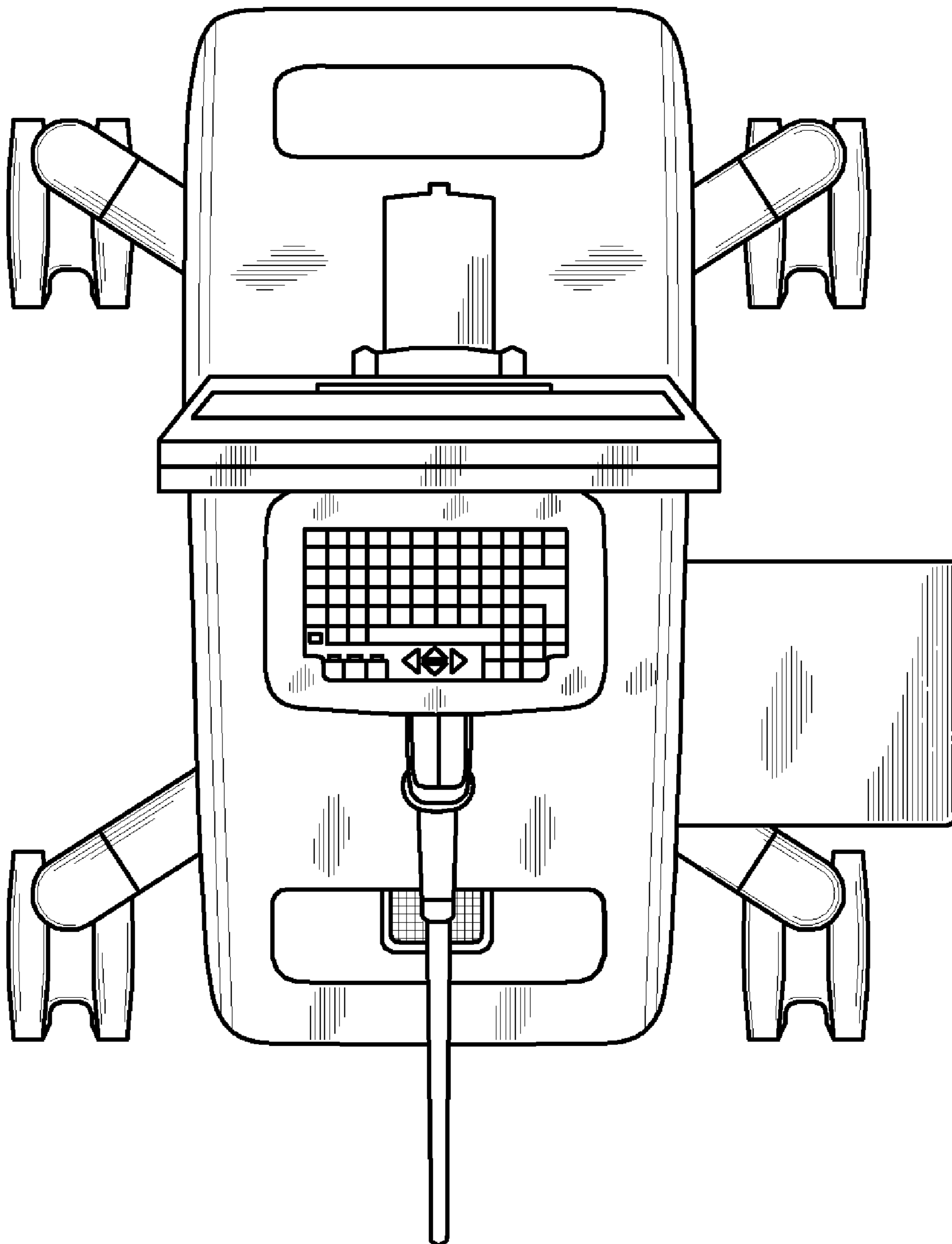


FIG. 2

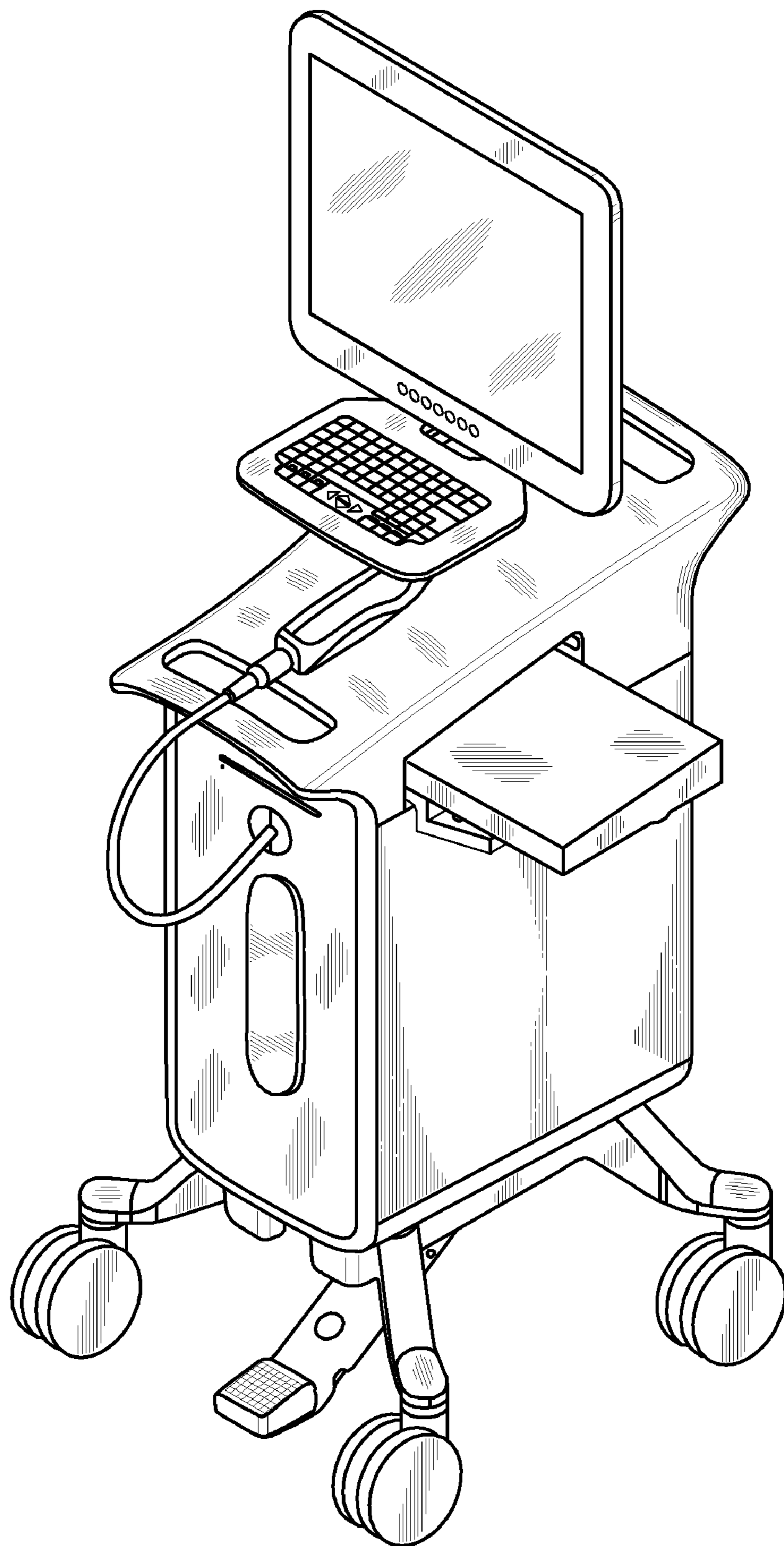


FIG. 3

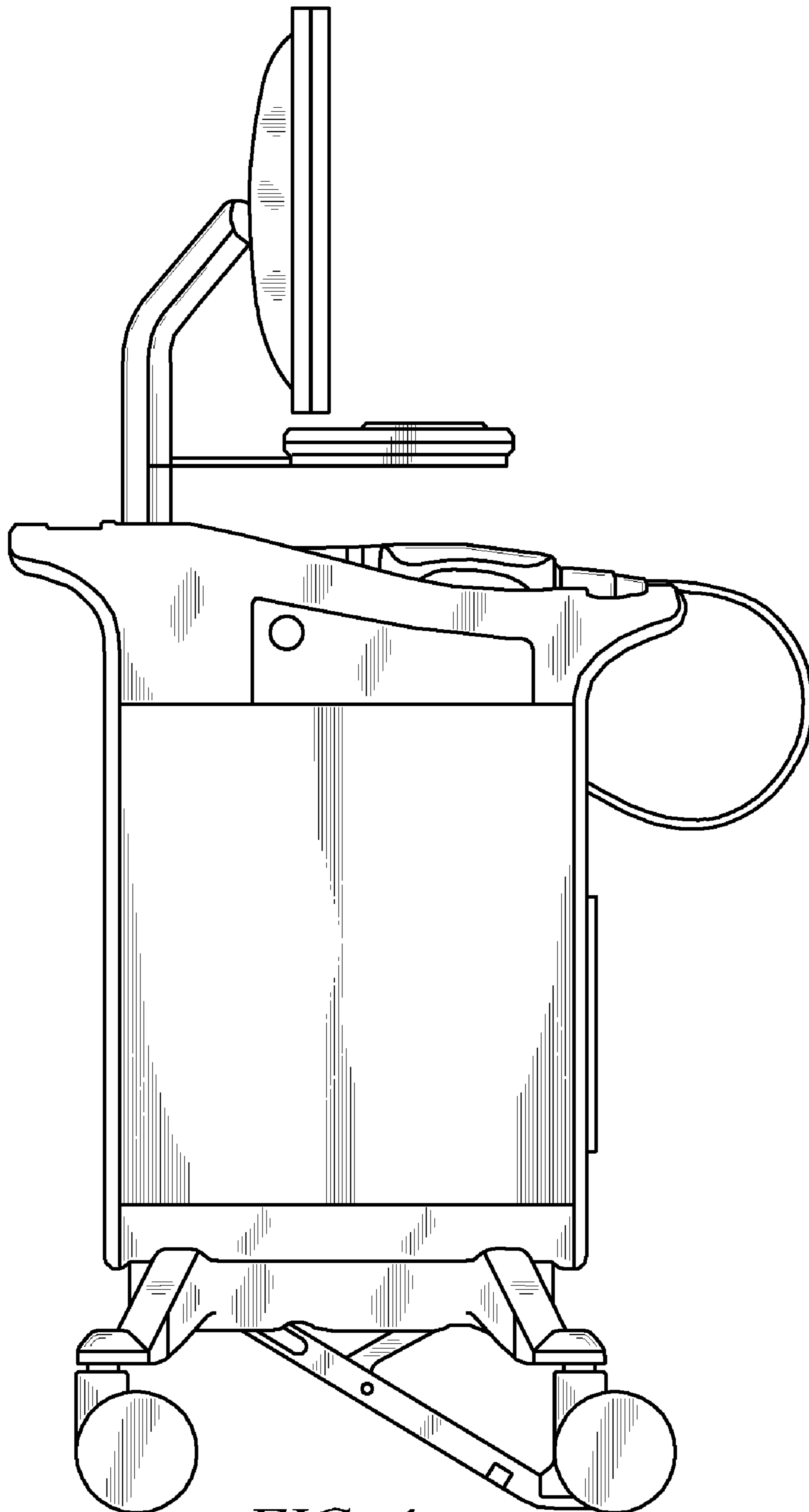


FIG. 4

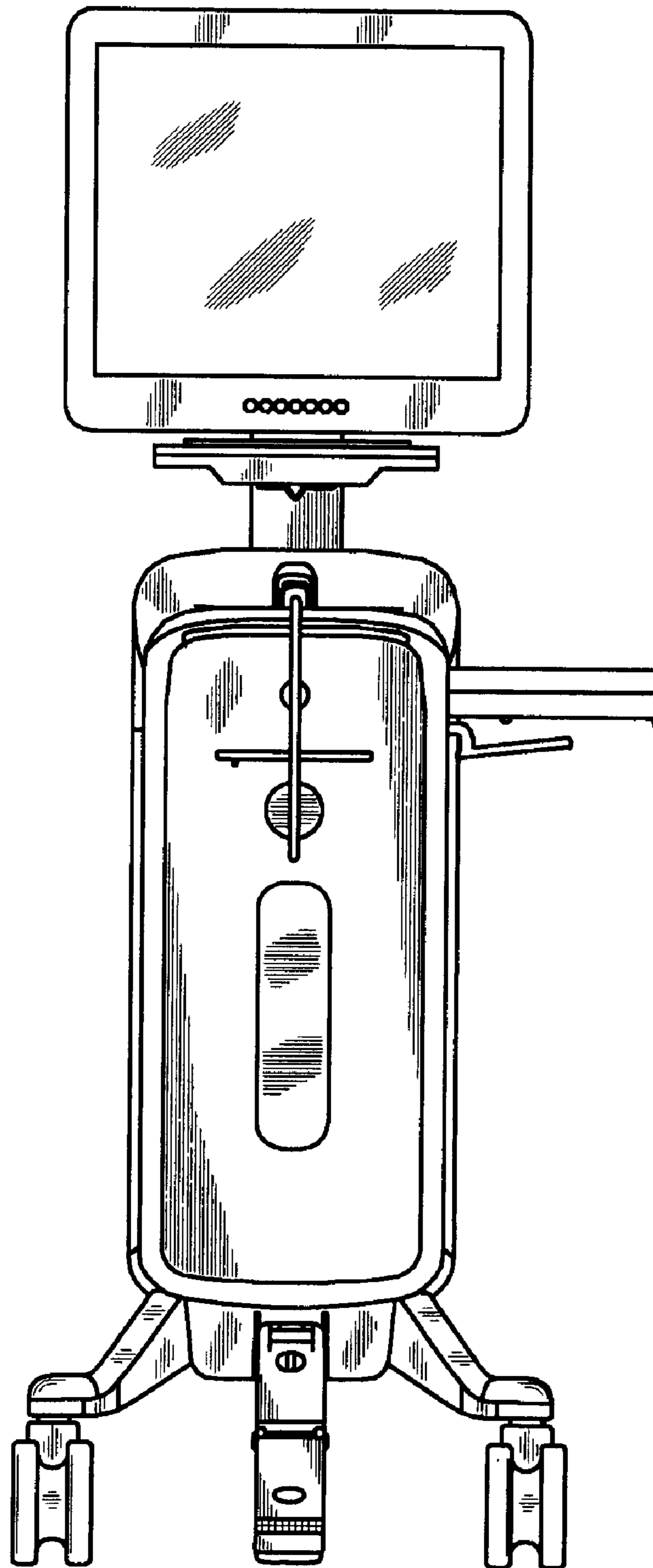


FIG. 5

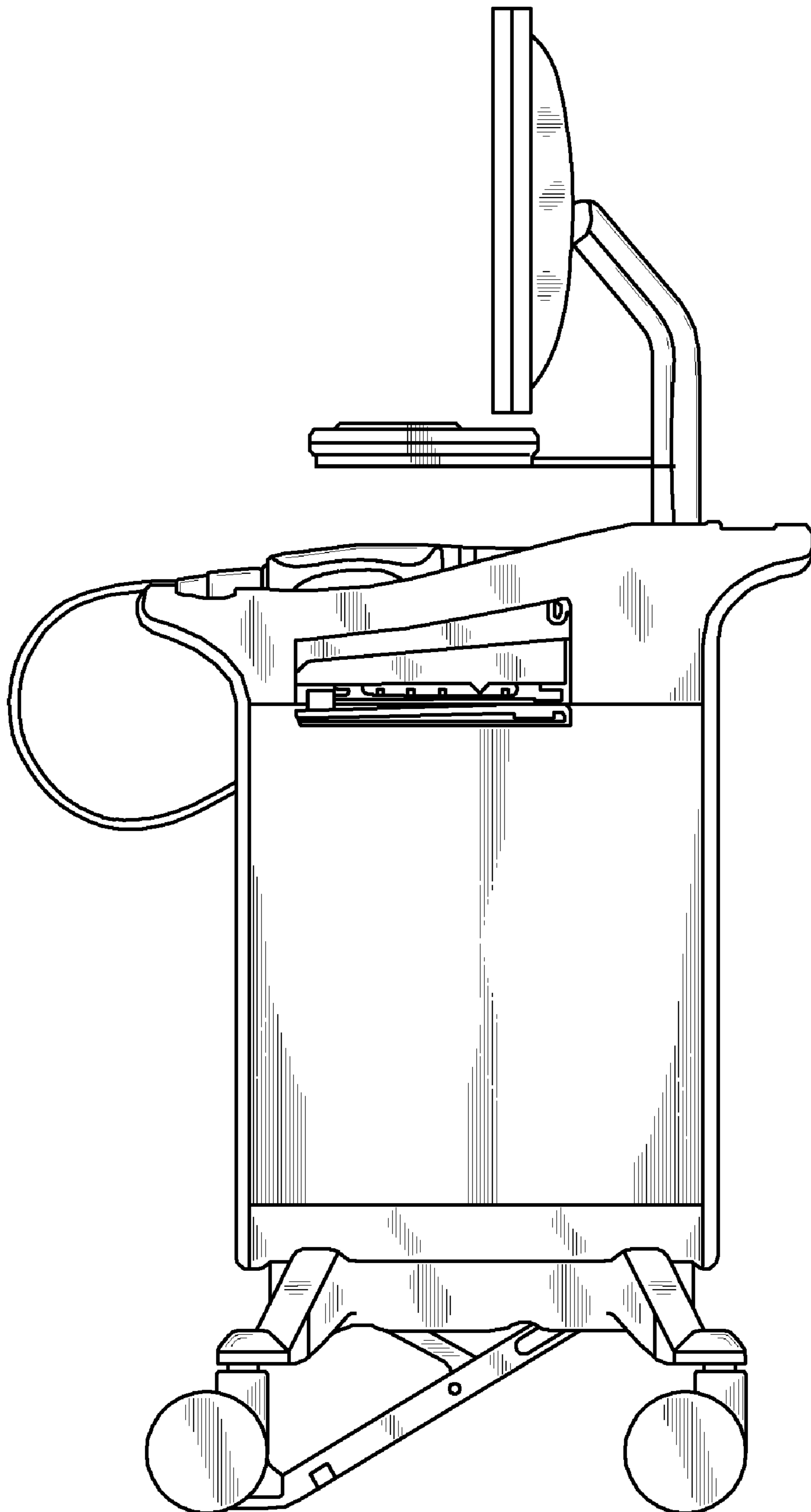


FIG. 6

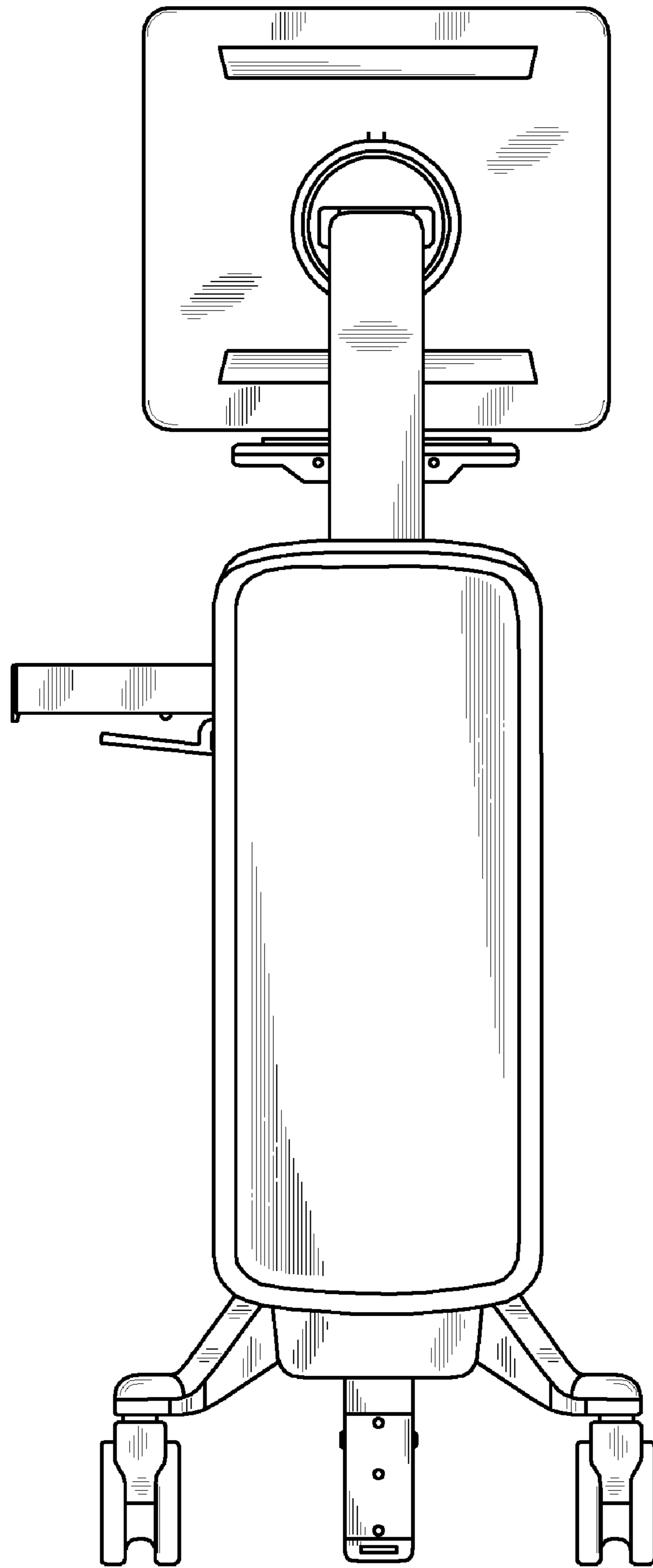


FIG. 7

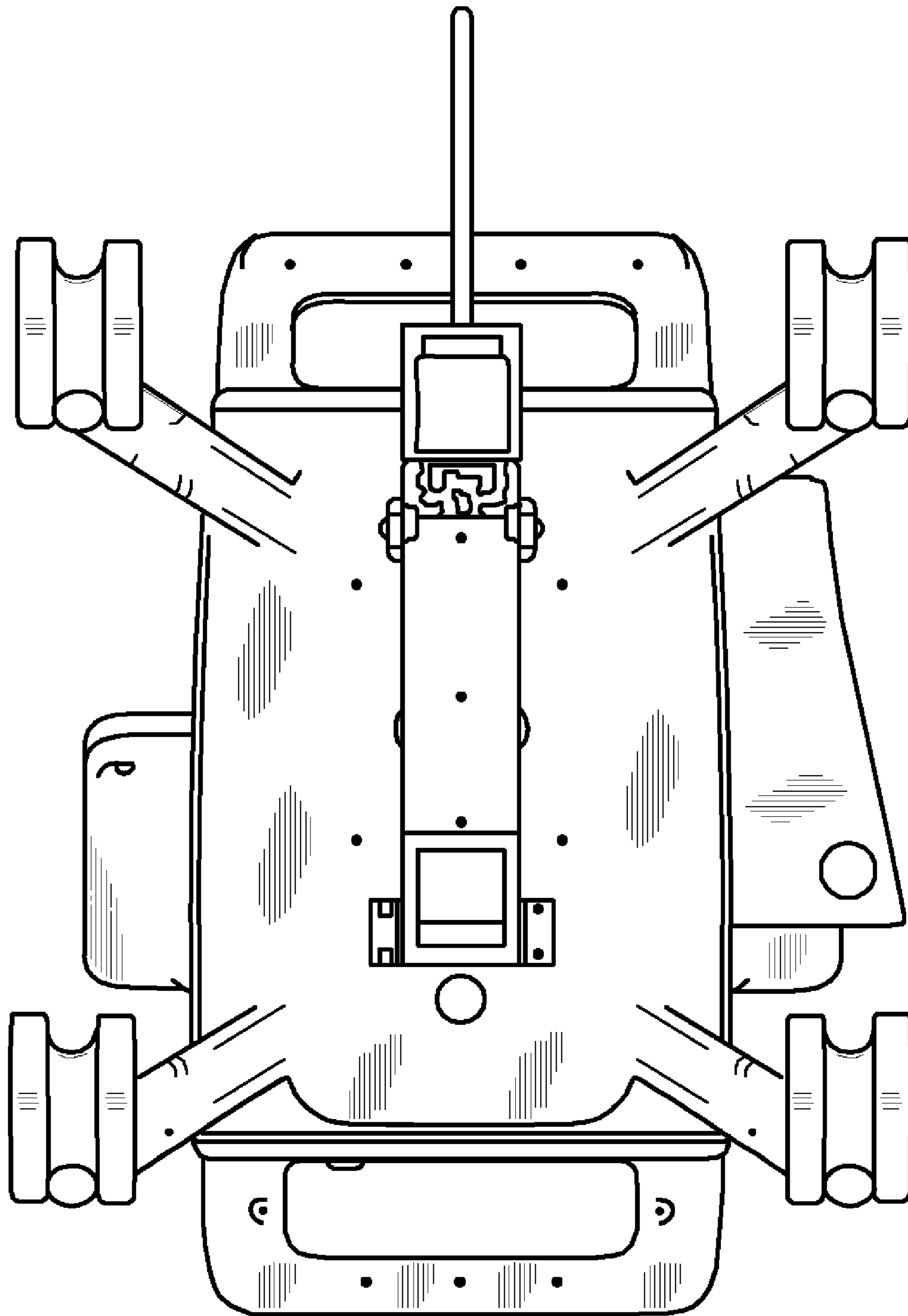


FIG. 8