



US00D555788S

(12) **United States Design Patent**  
**Southwell et al.**

(10) **Patent No.:** **US D555,788 S**

(45) **Date of Patent:** **\*\* Nov. 20, 2007**

(54) **DEVICE FOR FIXATING A TUBE RELATIVE TO A SKIN SURFACE PART OF A PATIENT OR PERSON**

2004/0158209 A1\* 8/2004 Wright ..... 604/180  
2006/0217669 A1\* 9/2006 Botha ..... 604/177

\* cited by examiner

(75) Inventors: **James E. Southwell**, Brockworth (GB);  
**Edward A. Cummings**, Armagh (GB)

*Primary Examiner*—Louis S. Zarfes  
*Assistant Examiner*—Eric L. Goodman

(73) Assignee: **Unomedical Limited**, Redditch (GB)

(74) *Attorney, Agent, or Firm*—Klein, O'Neill & Singh, LLP; Howard J. Klein

(\*\*) Term: **14 Years**

(57) **CLAIM**

(21) Appl. No.: **29/237,304**

The ornamental design of a device for fixating a tube relative to a skin surface part of a patient or person, as shown and described.

(22) Filed: **Aug. 29, 2005**

(30) **Foreign Application Priority Data**

**DESCRIPTION**

Feb. 28, 2005 (EP) ..... 000306527

(51) **LOC (8) Cl.** ..... **24-02**

(52) **U.S. Cl.** ..... **D24/128**

(58) **Field of Classification Search** ..... D24/127,  
D24/128, 143, 189; 128/DIG. 26, 112.1;  
604/174, 180, 304, 307

FIG. 1 is a top perspective view of a device for fixating a tube relative to a skin surface part of a patient or person, in accordance with a first embodiment of our new design, showing the top, the rear edge, and one side edge thereof; FIG. 2 is a bottom perspective view of the device of FIG. 1, showing the bottom, the front edge, and the other side edge thereof;

See application file for complete search history.

FIG. 3 is a top perspective view of a device for fixating a tube relative to a skin surface part of a patient or person, in accordance with a second embodiment of our new design, showing the top, the rear edge, and one side edge thereof; and,

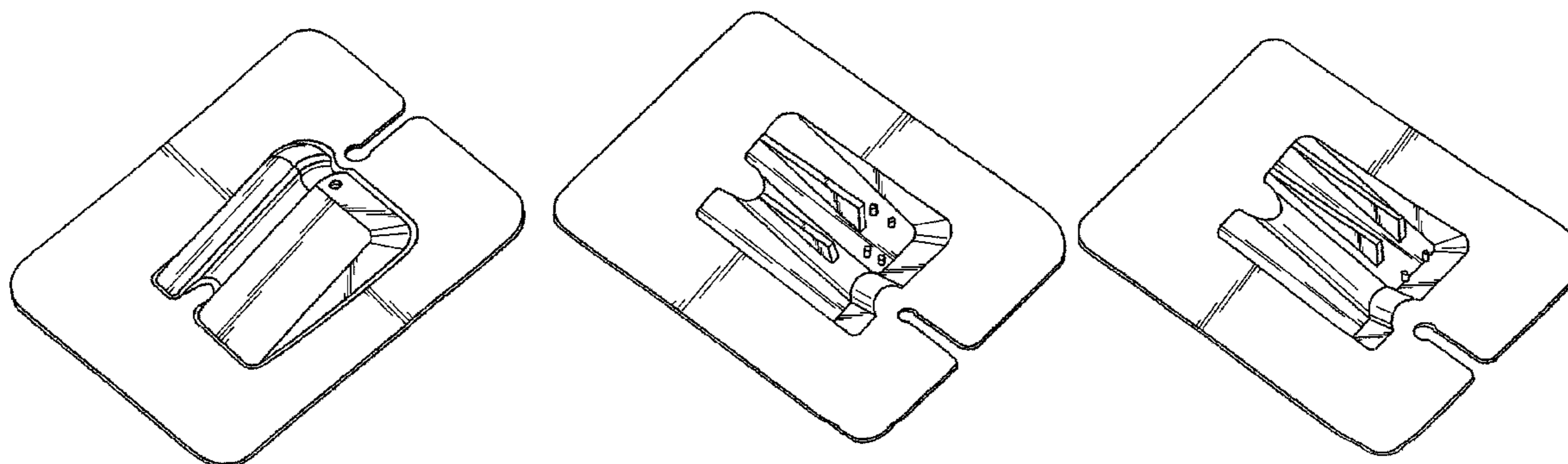
(56) **References Cited**

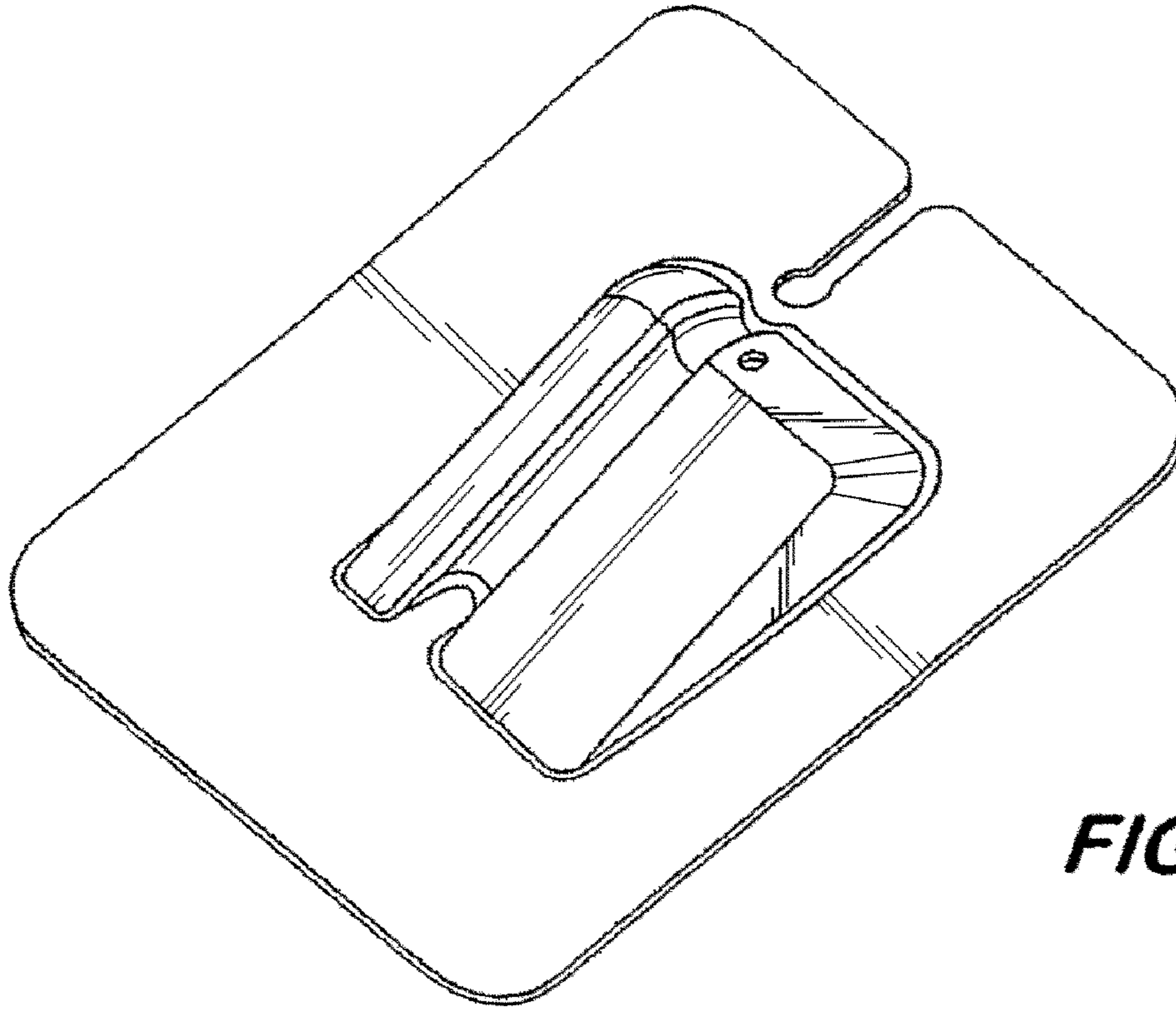
**U.S. PATENT DOCUMENTS**

D221,113 S \* 7/1971 Kurtz et al. .... D24/231  
4,820,282 A \* 4/1989 Hogan ..... 604/263  
4,921,199 A \* 5/1990 Villaveces ..... 248/314  
D330,419 S \* 10/1992 Sifers et al. .... D24/128  
5,292,312 A \* 3/1994 Delk et al. .... 604/180  
5,343,875 A \* 9/1994 Chase ..... 128/846  
5,968,000 A \* 10/1999 Harrison et al. .... 602/41  
6,638,296 B2 \* 10/2003 Levinson ..... 606/213

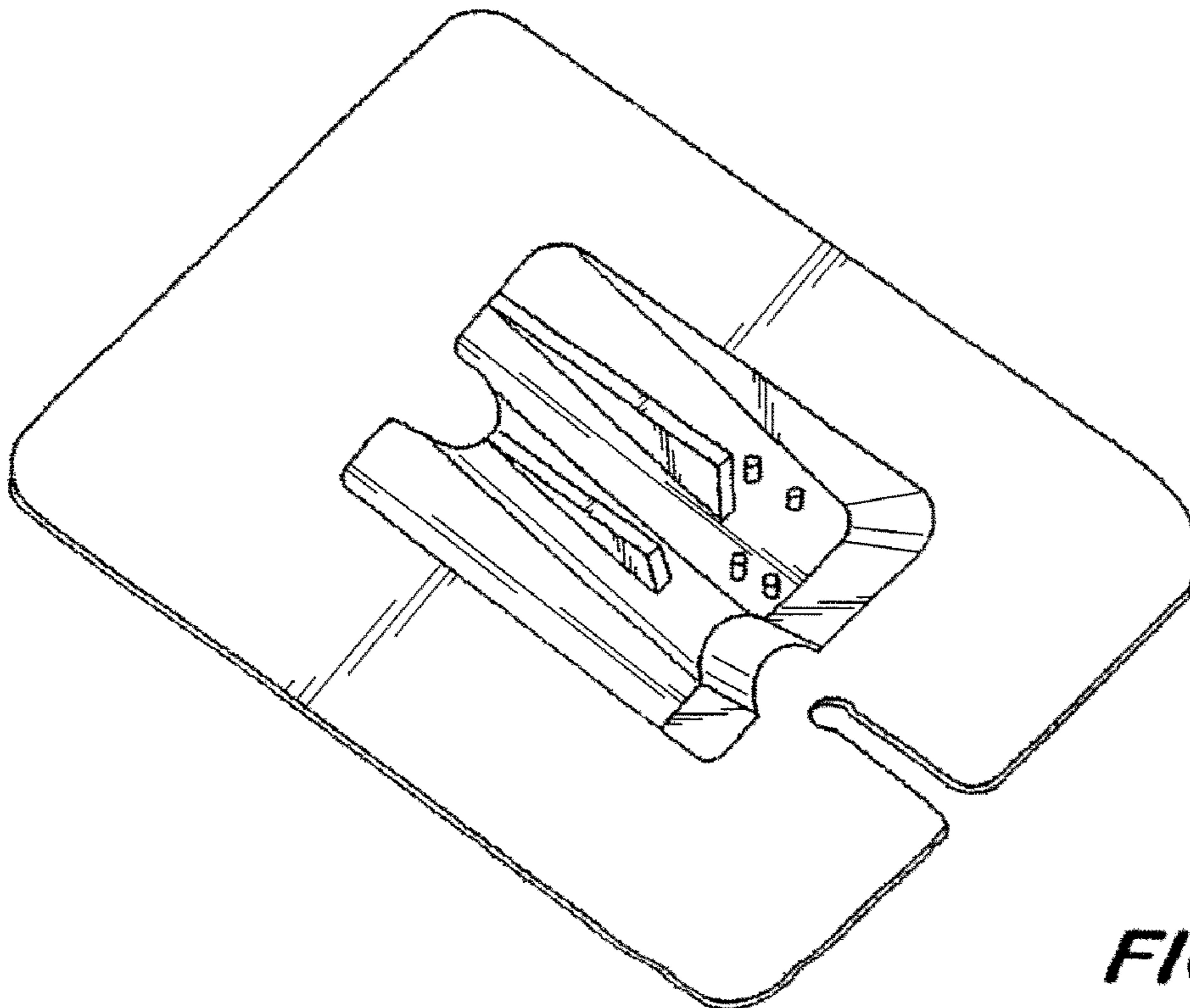
FIG. 4 is a bottom perspective view of the device of FIG. 3, showing the bottom, the front edge, and the other side edge thereof.

**1 Claim, 2 Drawing Sheets**

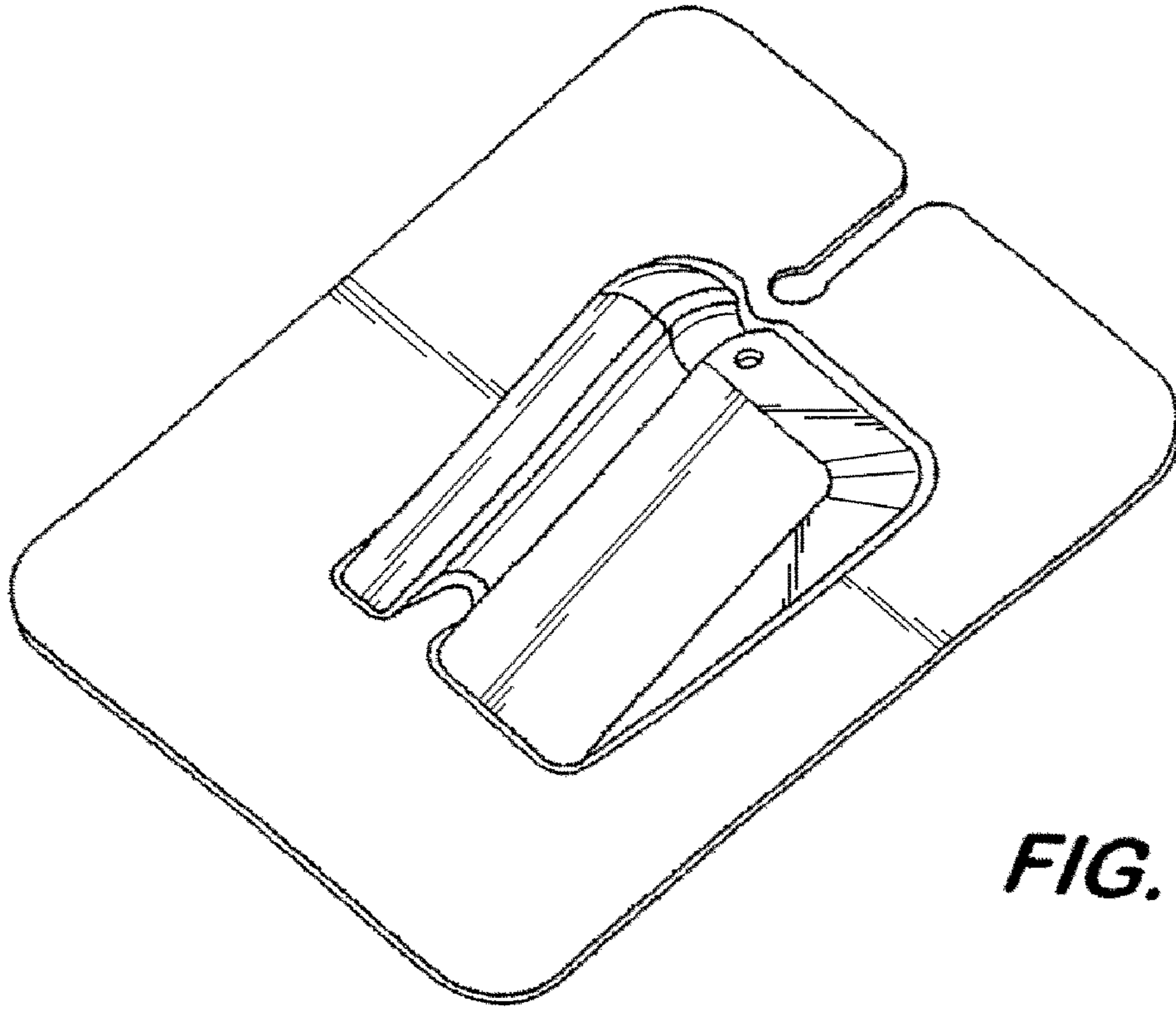




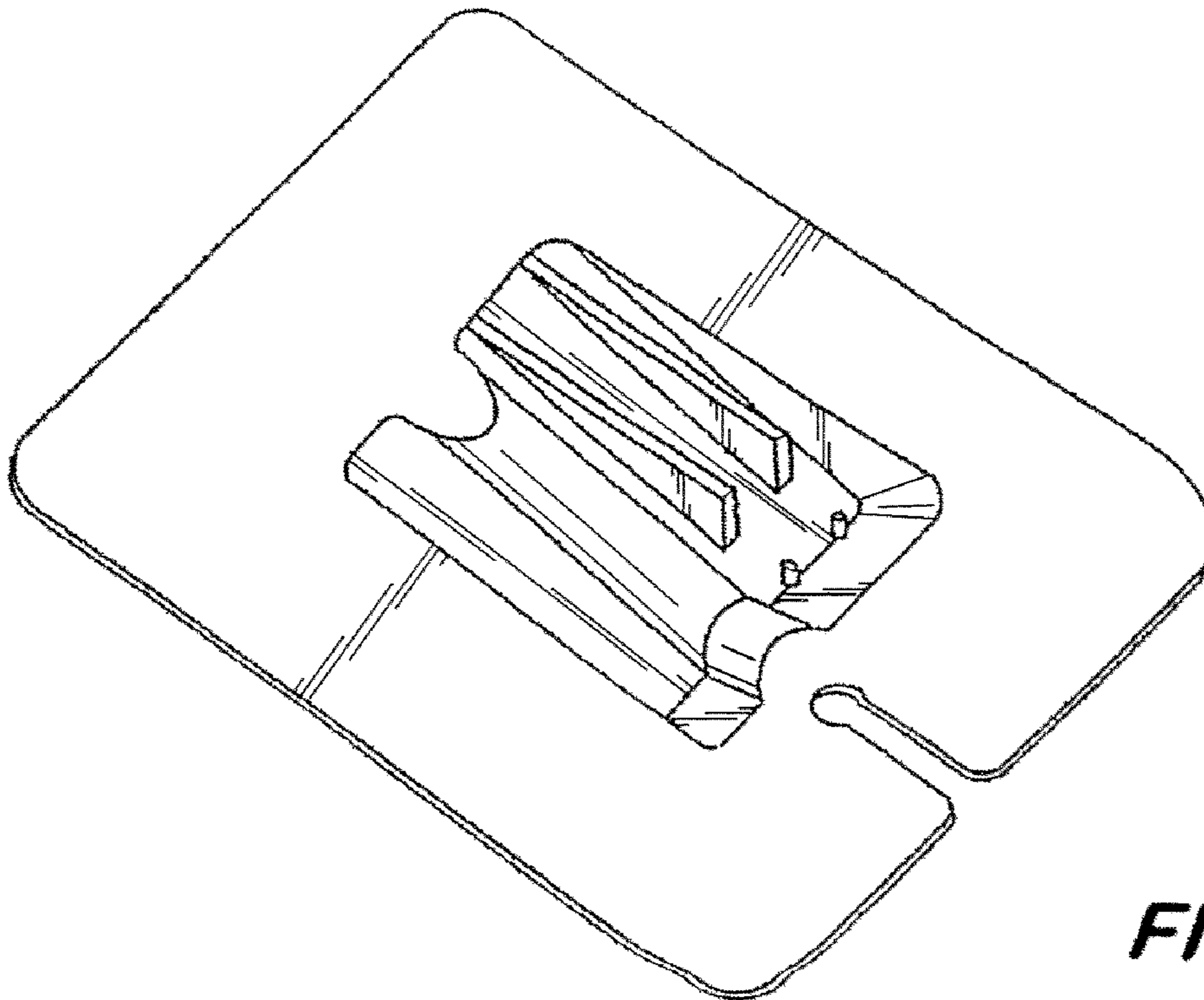
**FIG. 1**



**FIG. 2**



**FIG. 3**



**FIG. 4**