



US00D555786S

(12) **United States Design Patent**
Jemt

(10) **Patent No.:** **US D555,786 S**

(45) **Date of Patent:** **** Nov. 20, 2007**

(54) **GAS MASK**

(75) Inventor: **Thomas Jemt**, Vallingby (SE)

(73) Assignee: **City Gas Protector Sweden AB**,
Sundbyberg (SE)

(**) Term: **14 Years**

(21) Appl. No.: **29/252,981**

(22) Filed: **Jan. 30, 2006**

(30) **Foreign Application Priority Data**

Aug. 17, 2005 (EM) 90128 DES

(51) **LOC (8) Cl.** **29-02**

(52) **U.S. Cl.** **D24/110.1**

(58) **Field of Classification Search** . D24/100.1-110.6;
128/206.17, 206.18, 206.19, 206.27, 206.12,
128/205.12, 205.17, 205.27, 205.28, 205.29
See application file for complete search history.

(56) **References Cited**

U.S. PATENT DOCUMENTS

D265,006 S * 6/1982 Levy D24/110.1

D320,677 S * 10/1991 Kumagai et al. D24/110.1

D326,540 S * 5/1992 Scholey D24/110.1

D440,301 S * 4/2001 Fecteau et al. D24/110.1

D473,299 S * 4/2003 Fecteau et al. D24/110.1

D487,312 S * 3/2004 Bailey D24/110.1

* cited by examiner

Primary Examiner—Ian Simmons

Assistant Examiner—Christopher Lee

(74) *Attorney, Agent, or Firm*—Charles E. Baxley

(57) **CLAIM**

The ornamental design of a gas mask, as shown and described.

DESCRIPTION

FIG. 1 is a frontal upward leftward perspective view of a gas mask according to my design;

FIG. 2 is a frontal elevational view thereof;

FIG. 3 is a right elevational view thereof;

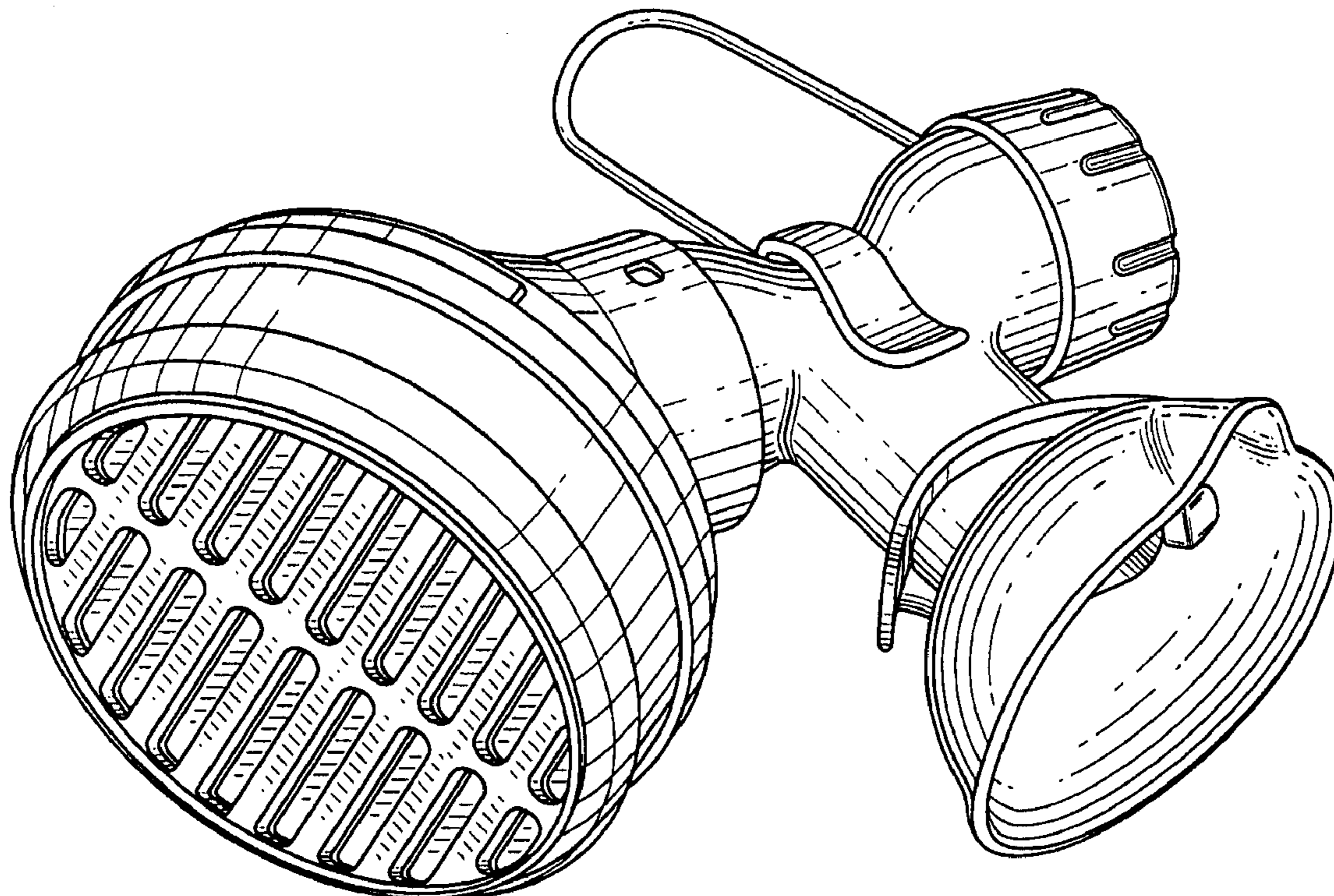
FIG. 4 is a rear elevational view thereof;

FIG. 5 is a left elevational view thereof;

FIG. 6 is a top plan view thereof; and,

FIG. 7 is a bottom plan view thereof.

1 Claim, 7 Drawing Sheets



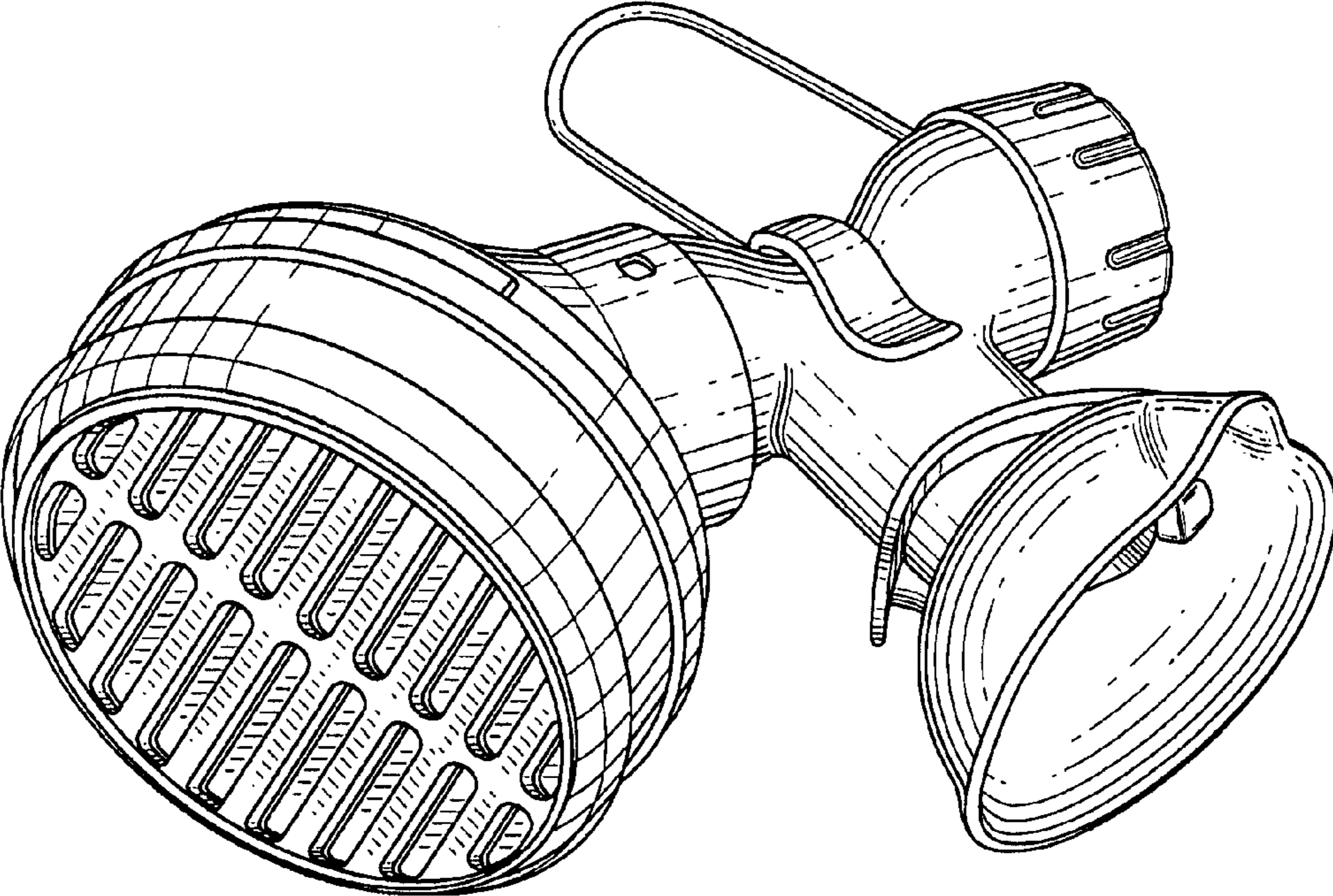


FIG. 1

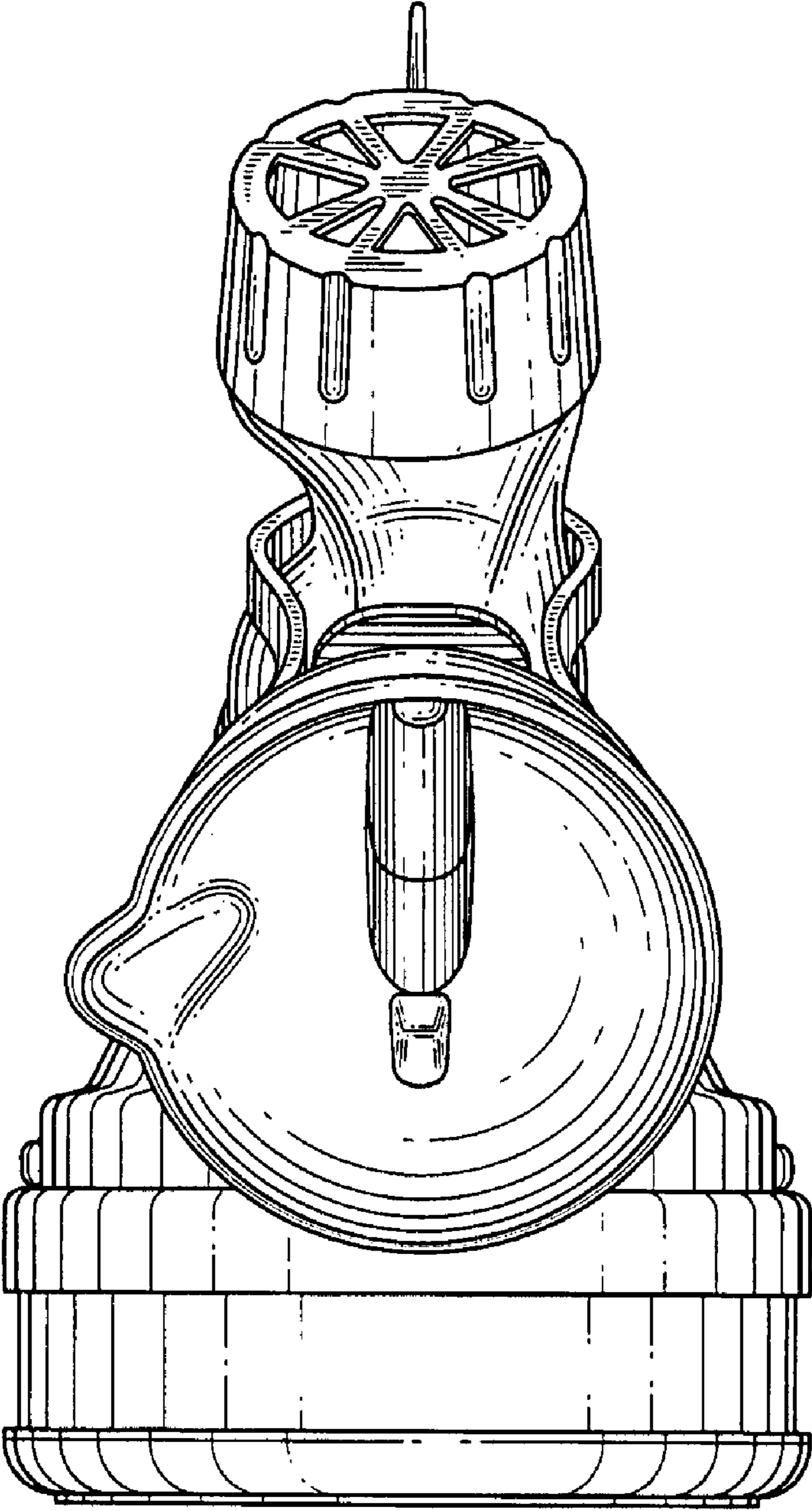


FIG. 2

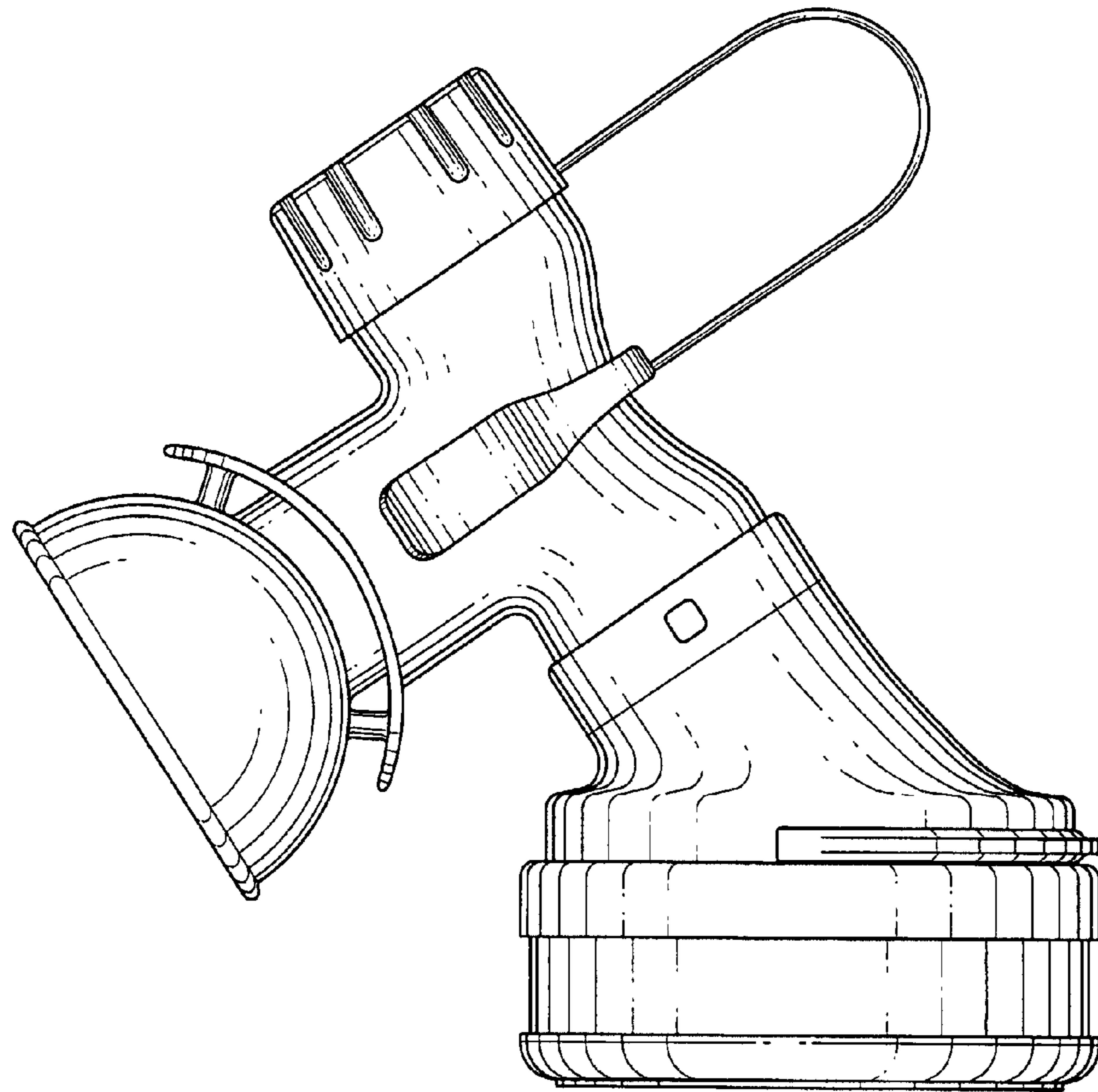


FIG. 3

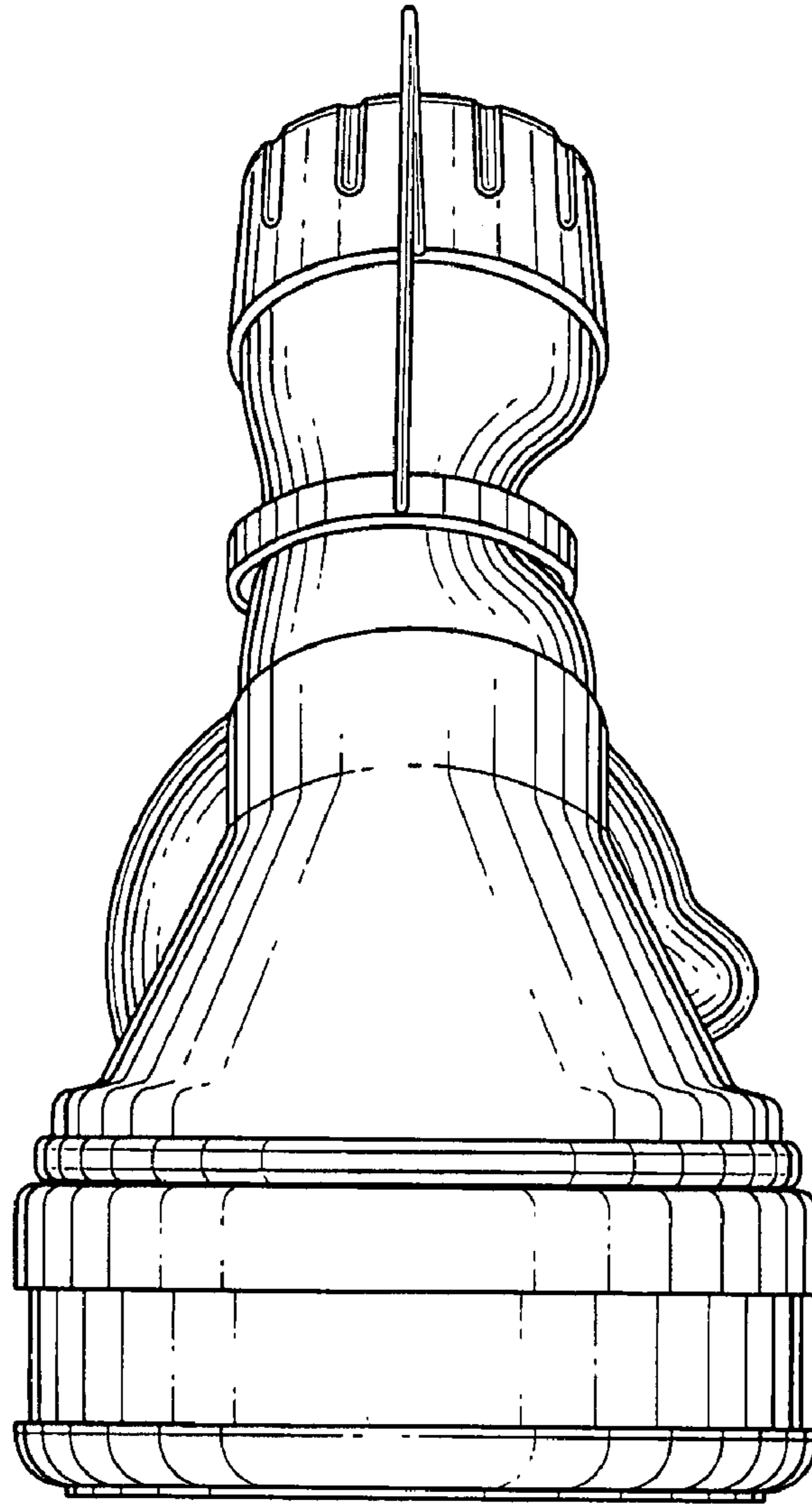


FIG. 4

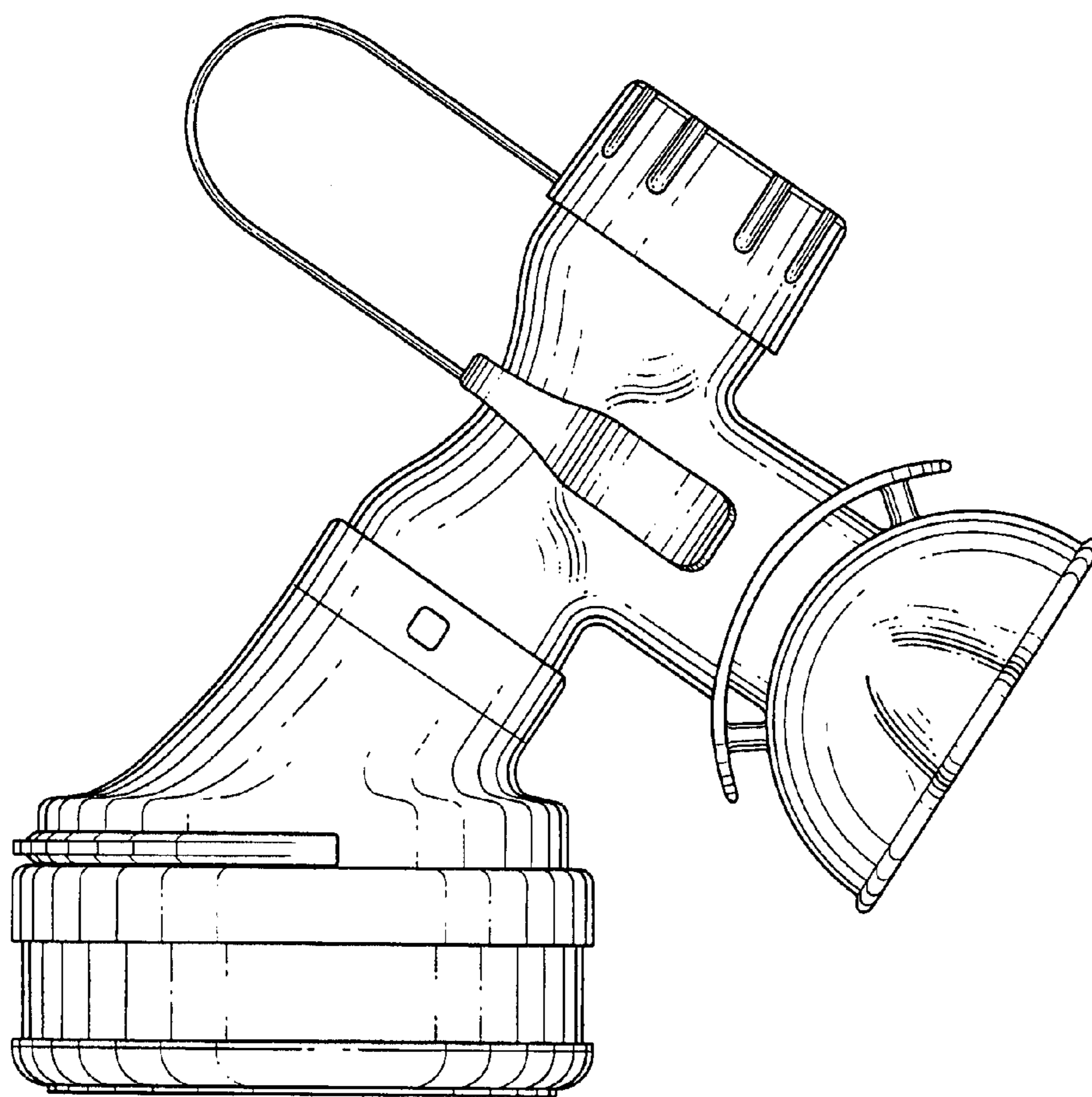


FIG. 5

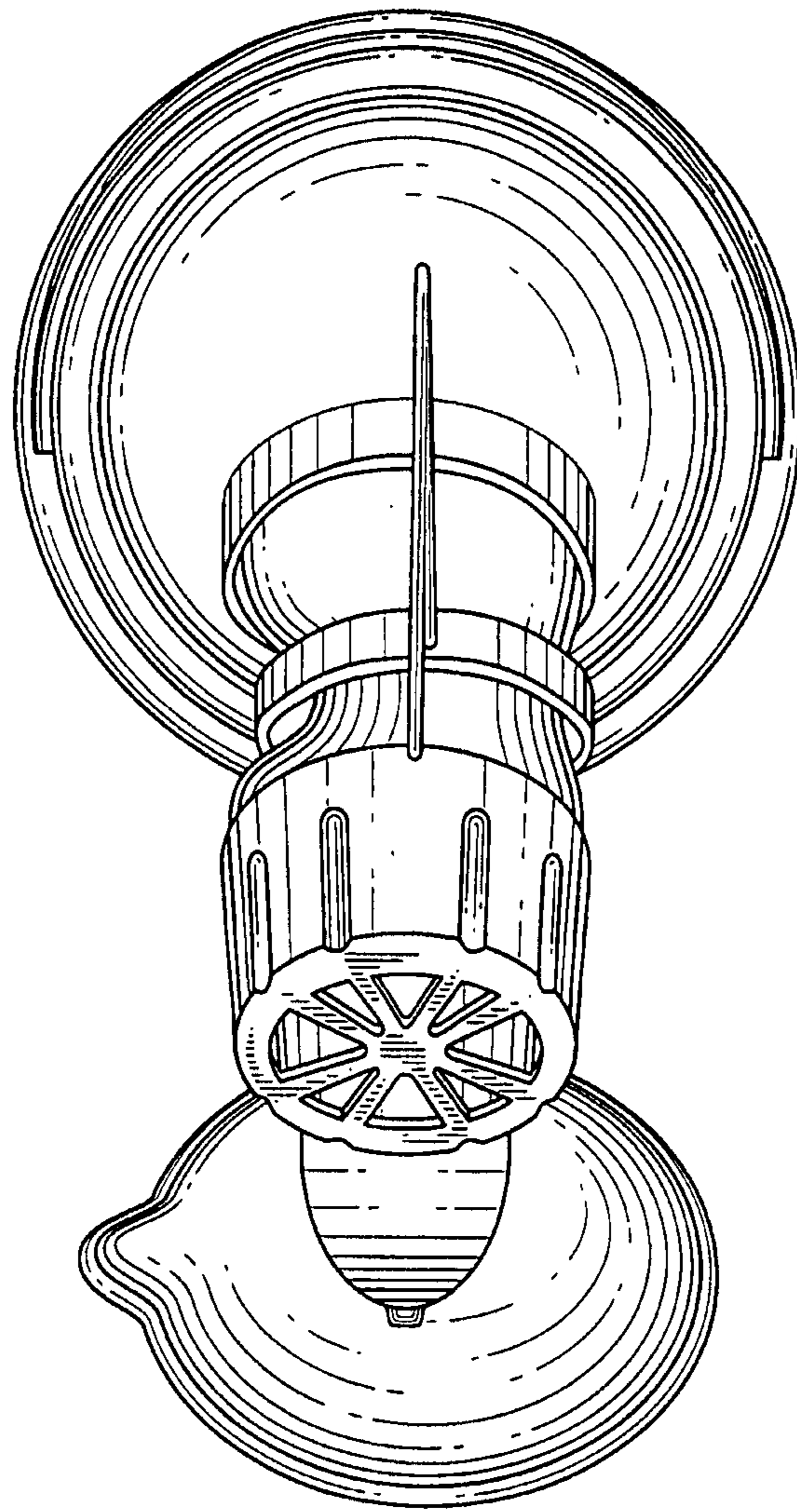


FIG. 6

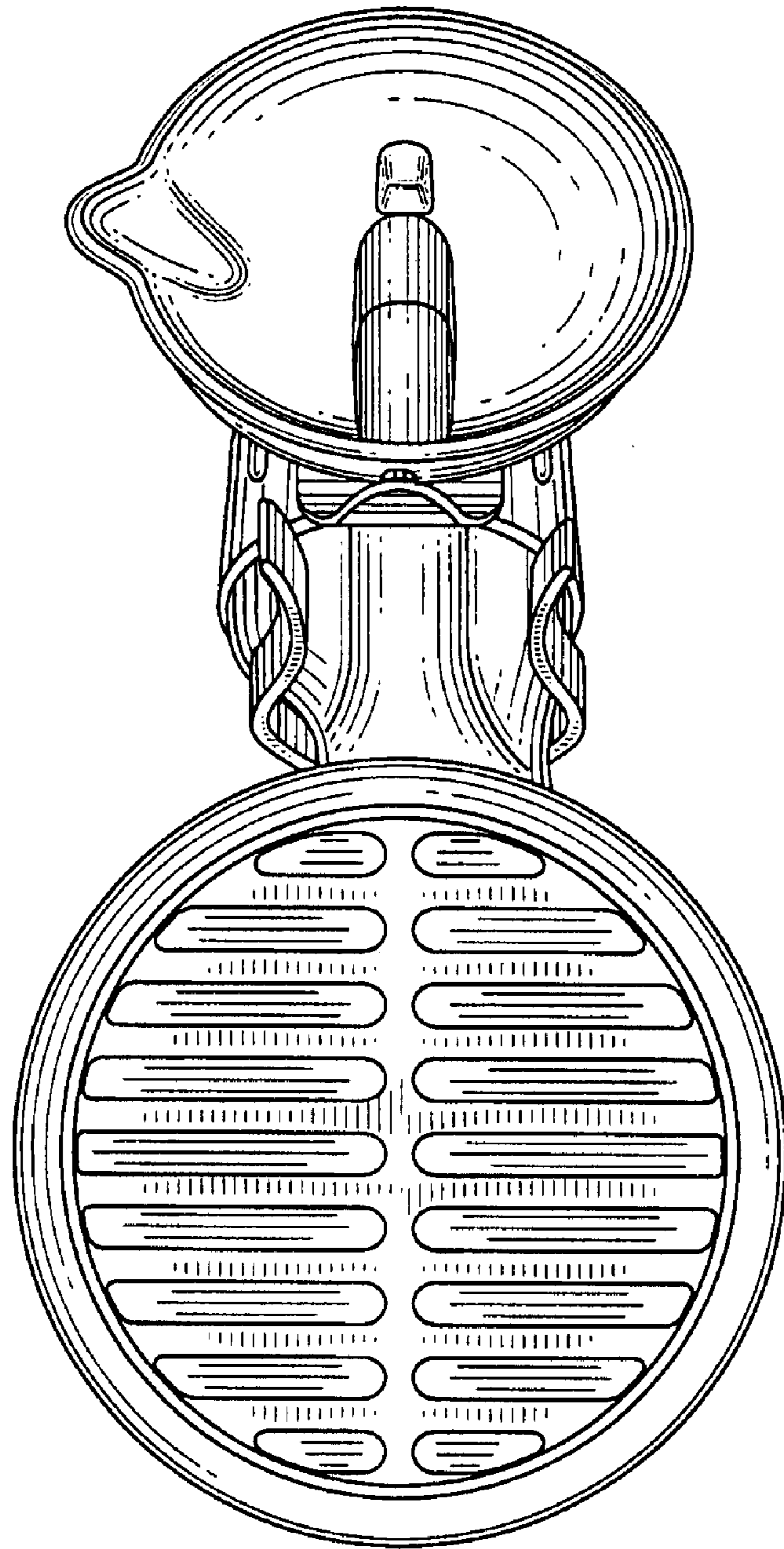


FIG. 7